



US00D347378S

United States Patent [19]

[11] Patent Number: **Des. 347,378**

Warner

[45] Date of Patent: **** May 31, 1994**

[54] DAMPER PULLEY

4,824,422 4/1989 Jovic 29/892
4,824,423 4/1989 Jovic 474/170

[76] Inventor: **A. Fred Warner, 641 West Schleier, Frankenmuth, Mich. 48768**

Primary Examiner—Wallace R. Burke
Assistant Examiner—Lisa Lichtenstein
Attorney, Agent, or Firm—John J. Swartz

[**] Term: **14 Years**

[21] Appl. No.: **807,373**

[57] **CLAIM**

[22] Filed: **Dec. 16, 1991**

The ornamental design for a damper pulley, as shown and described.

[52] U.S. Cl. **D8/360**

[58] Field of Search **D8/360; 29/892, 892.1, 29/892.11, 892.2, 892.3; 474/174, 169, 170, 171; 74/505, 506; D23/386**

DESCRIPTION

[56] **References Cited**

U.S. PATENT DOCUMENTS

- D. 308,013 5/1990 Kanemitsu D8/360
- D. 320,927 10/1991 Kanemitsu D8/360
- D. 333,084 2/1993 Kanemitsu et al. D8/360
- D. 333,777 3/1993 Kanemitsu et al. D8/360

FIG. 1 is a front perspective view of a damper pulley showing my new design;
FIG. 2 is a side elevational view thereof as viewed from the right side;
FIG. 3 is a side elevational view thereof as viewed from the left side;
FIG. 4 is an enlarged front elevational view thereof;
and
FIG. 5 is an enlarged rear elevational view thereof.

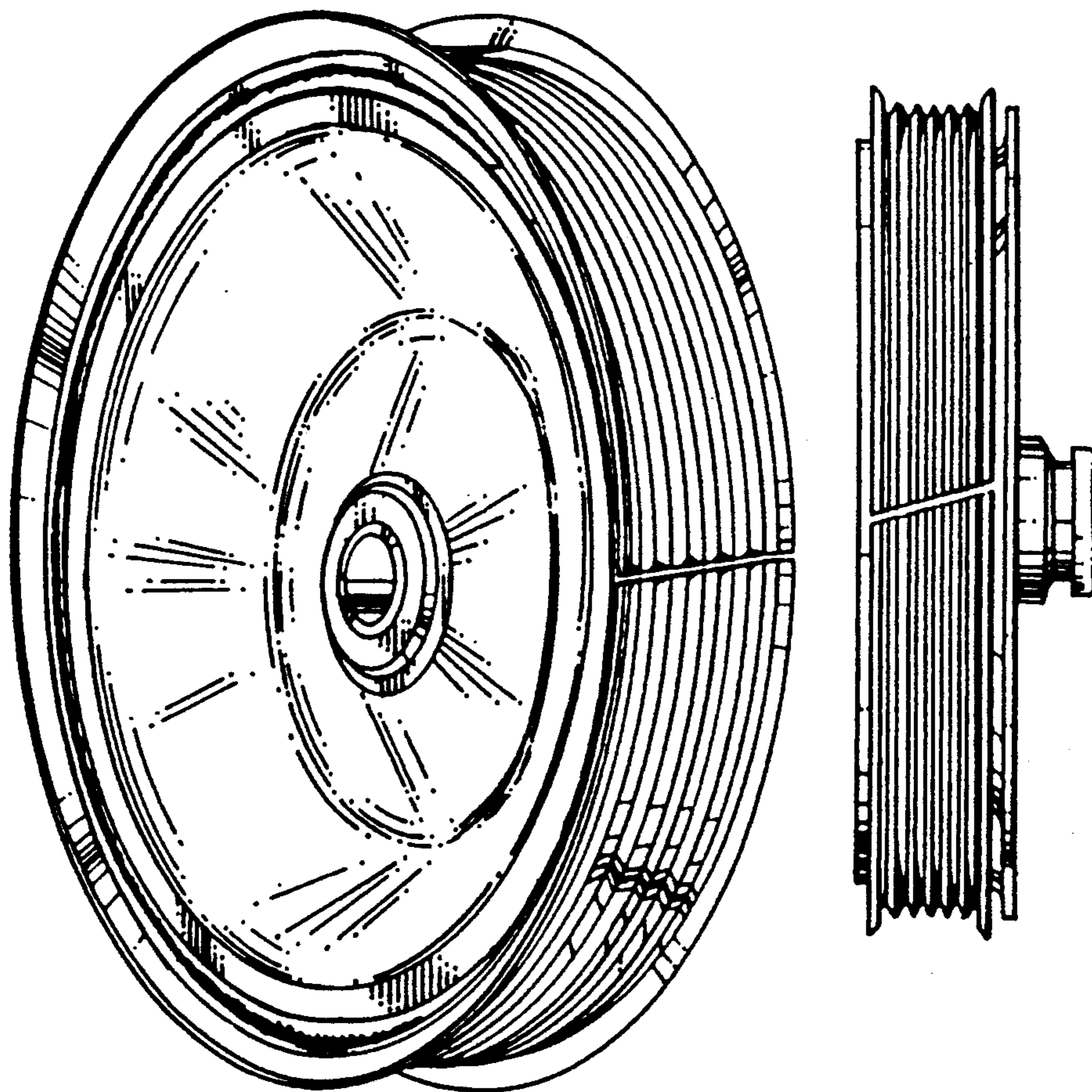


Fig. 1

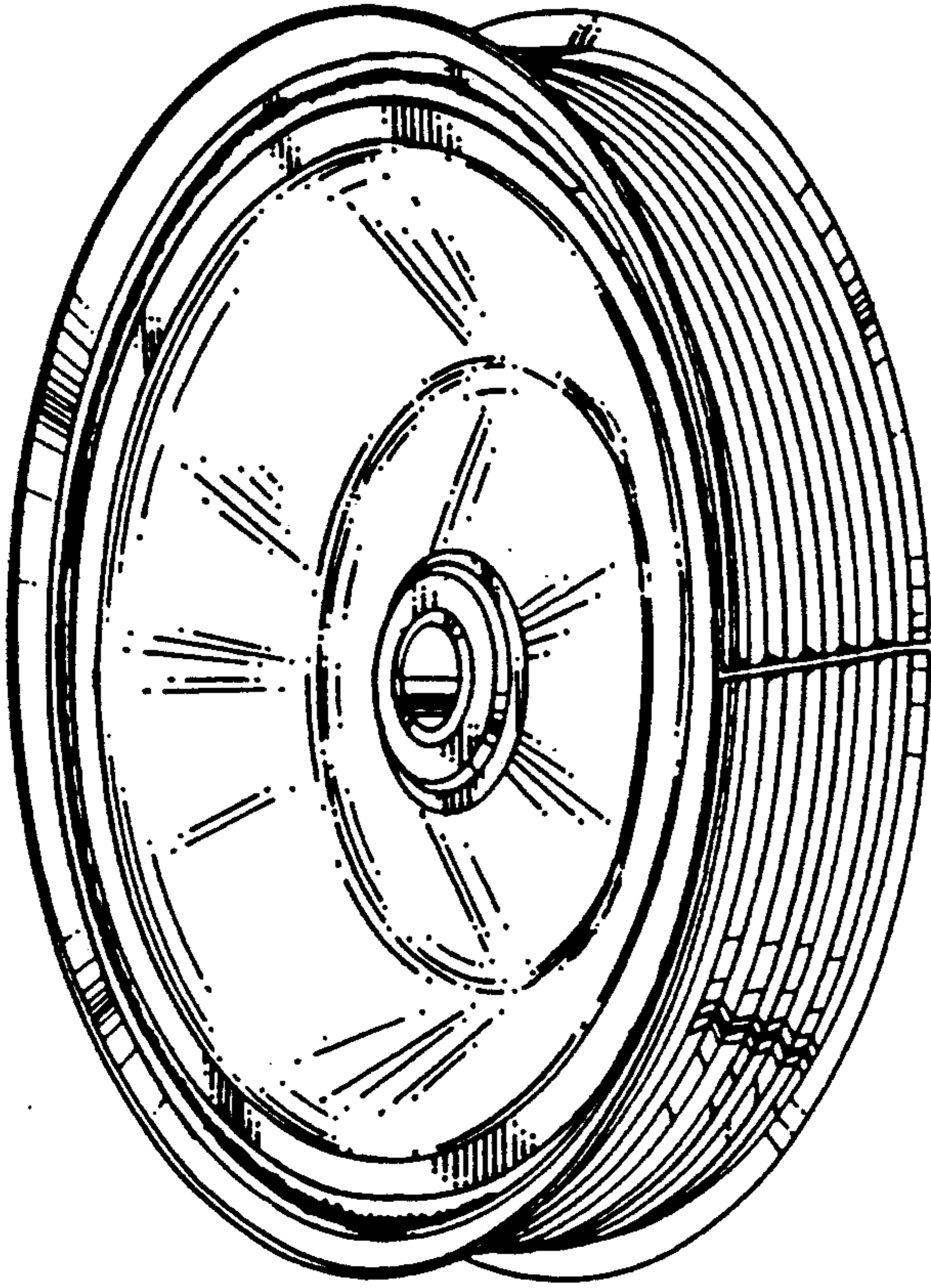


Fig. 2

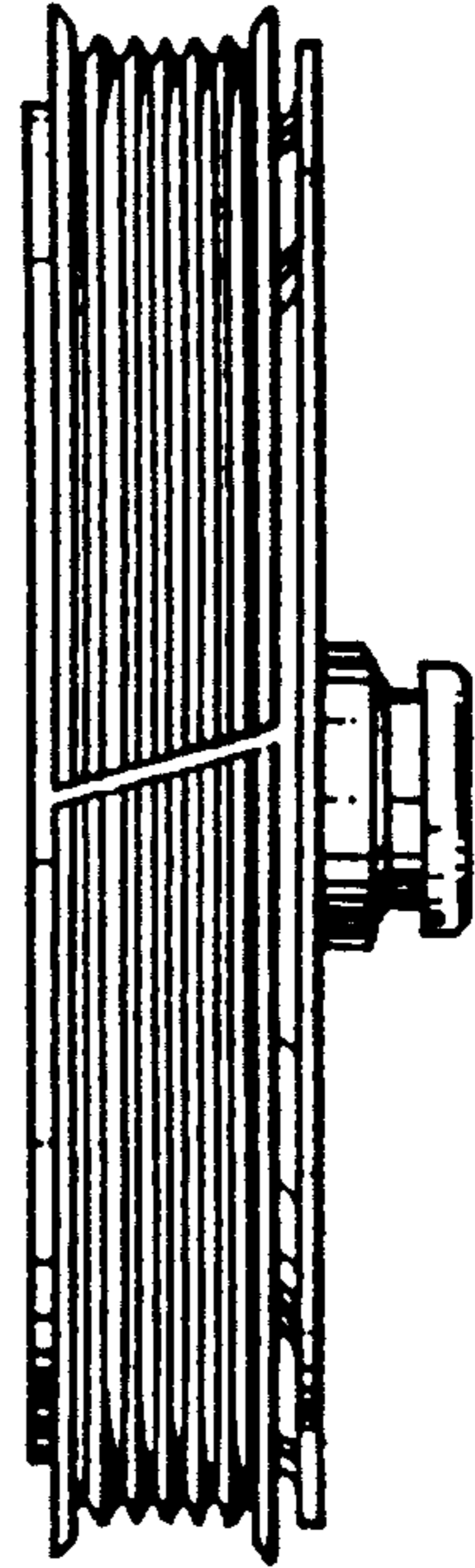
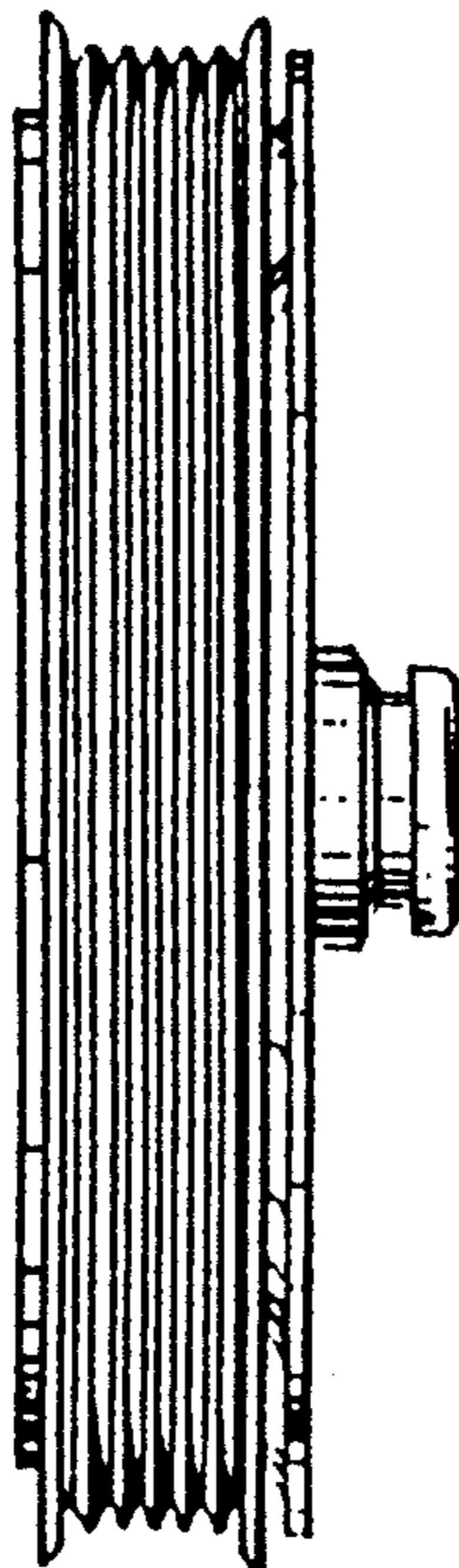


Fig. 3



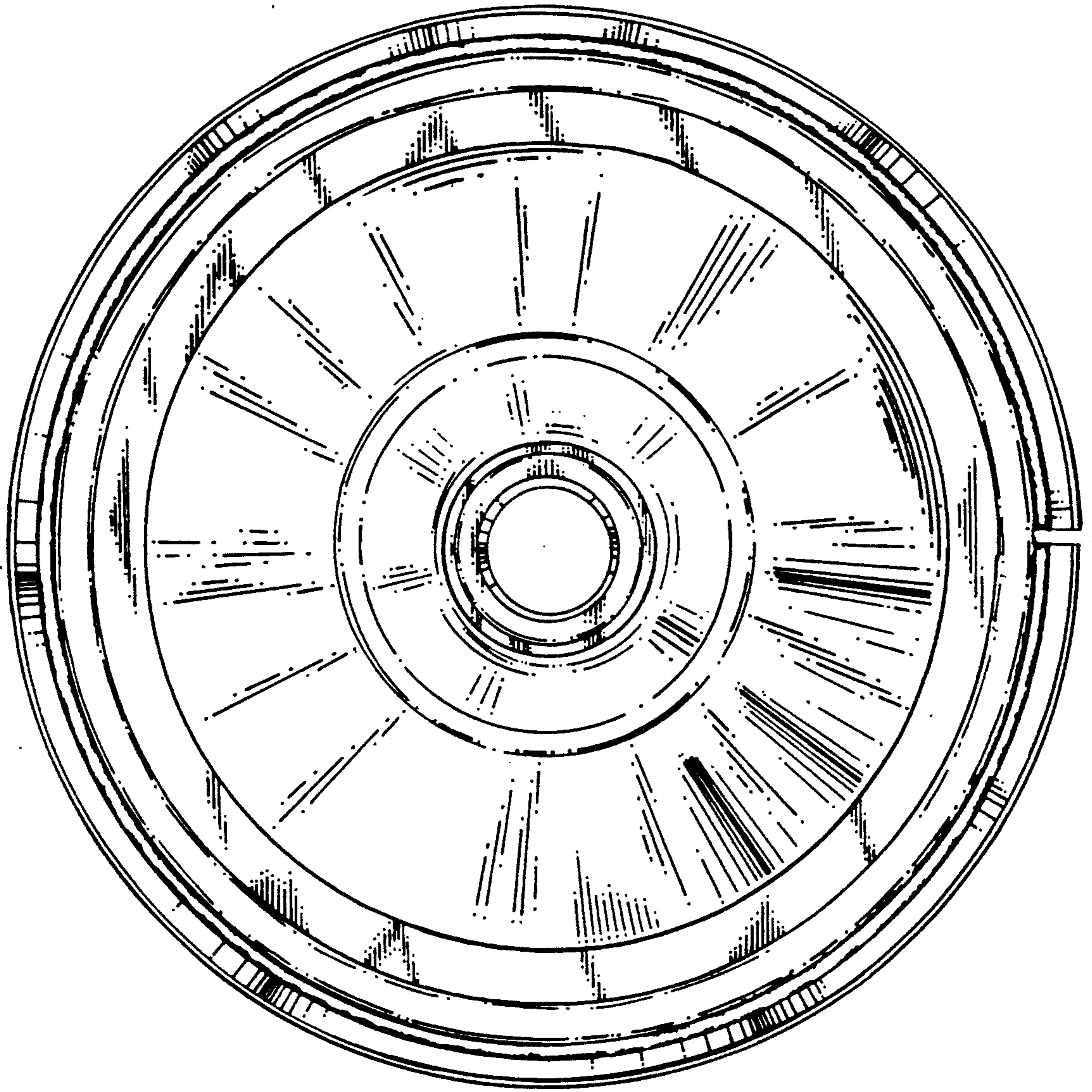


Fig. 4

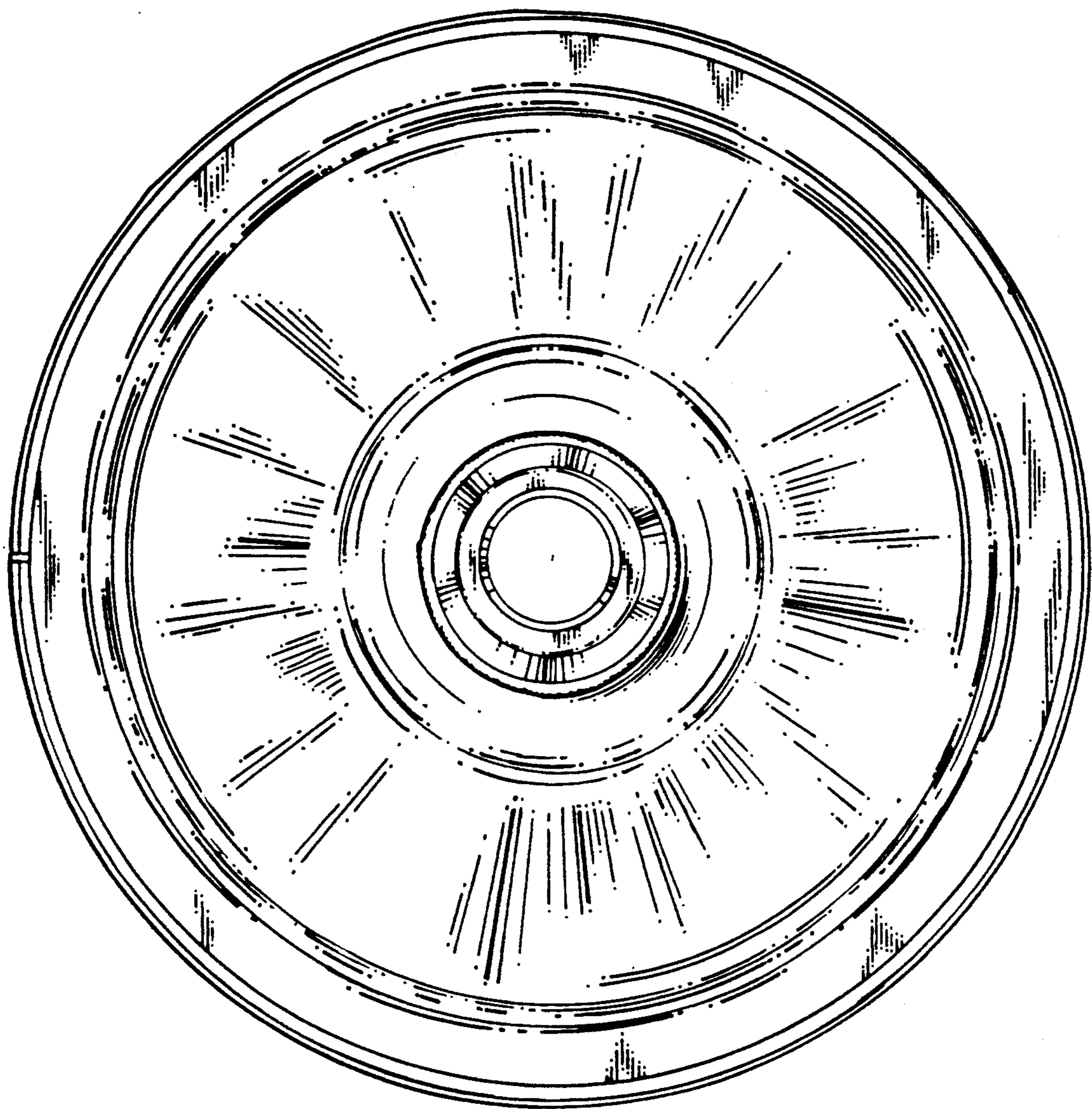


Fig. 5