



US00D347377S

# United States Patent [19]

Nakamura et al.

[11] Patent Number: **Des. 347,377**

[45] Date of Patent: **\*\* May 31, 1994**

[54] **JOINT SUPPORT FOR SHELVES**

[75] Inventors: **Keiichi Nakamura; Asao Shoda**, both of Shizuoka, Japan

[73] Assignee: **Yazaki Industrial Chemical Co Ltd.**, Shizuoka, Japan

[\*\*] Term: **14 Years**

[21] Appl. No.: **909,437**

[22] Filed: **Jul. 7, 1992**

[52] U.S. Cl. .... **D8/354**

[58] Field of Search ..... 108/16; 403/258, 7, 403/260, 237, 247, 234; 211/134, 153, 186, 182; D8/349, 354; D6/487-489, 499, 491, 462; D25/68, 133, 134; D23/262, 266

[56] **References Cited**

**U.S. PATENT DOCUMENTS**

D. 157,594	3/1950	Hollaender	.....	D25/68
D. 232,808	9/1974	Kockvam	.....	D25/68
D. 309,007	7/1990	Tyson	.....	D23/262
1,963,981	6/1934	Garrett	.....	403/237
3,999,727	12/1976	Renneman	.....	211/182
4,030,610	6/1977	Alexander	.....	211/182

4,039,263	8/1977	Bässler	.....	28/354
4,355,919	10/1982	Lievonen	.....	403/234
4,427,379	1/1984	Doran et al.	.....	211/182
4,493,425	1/1985	Yoshida	.....	211/182
4,603,996	8/1986	Chen	.....	403/237

*Primary Examiner*—A. Hogo Word  
*Assistant Examiner*—Doris Clark  
*Attorney, Agent, or Firm*—Eric Schellin

[57] **CLAIM**

The ornamental design for a joint support for shelves, as shown and described.

**DESCRIPTION**

FIG. 1 is a front elevational view of a joint support for shelves showing our new design; FIG. 2 is a rear elevational view; FIG. 3 is a top plan view; FIG. 4 is a bottom plan view; FIG. 5 is a cross sectional view taken on line 5—5 of FIG. 3; FIG. 6 is a cross sectional view take on line 6—6 of FIG. 3; FIG. 7 is a left side elevational view; FIG. 8 is a right side elevational view; and, FIG. 9 is a top, front and right side perspective view.

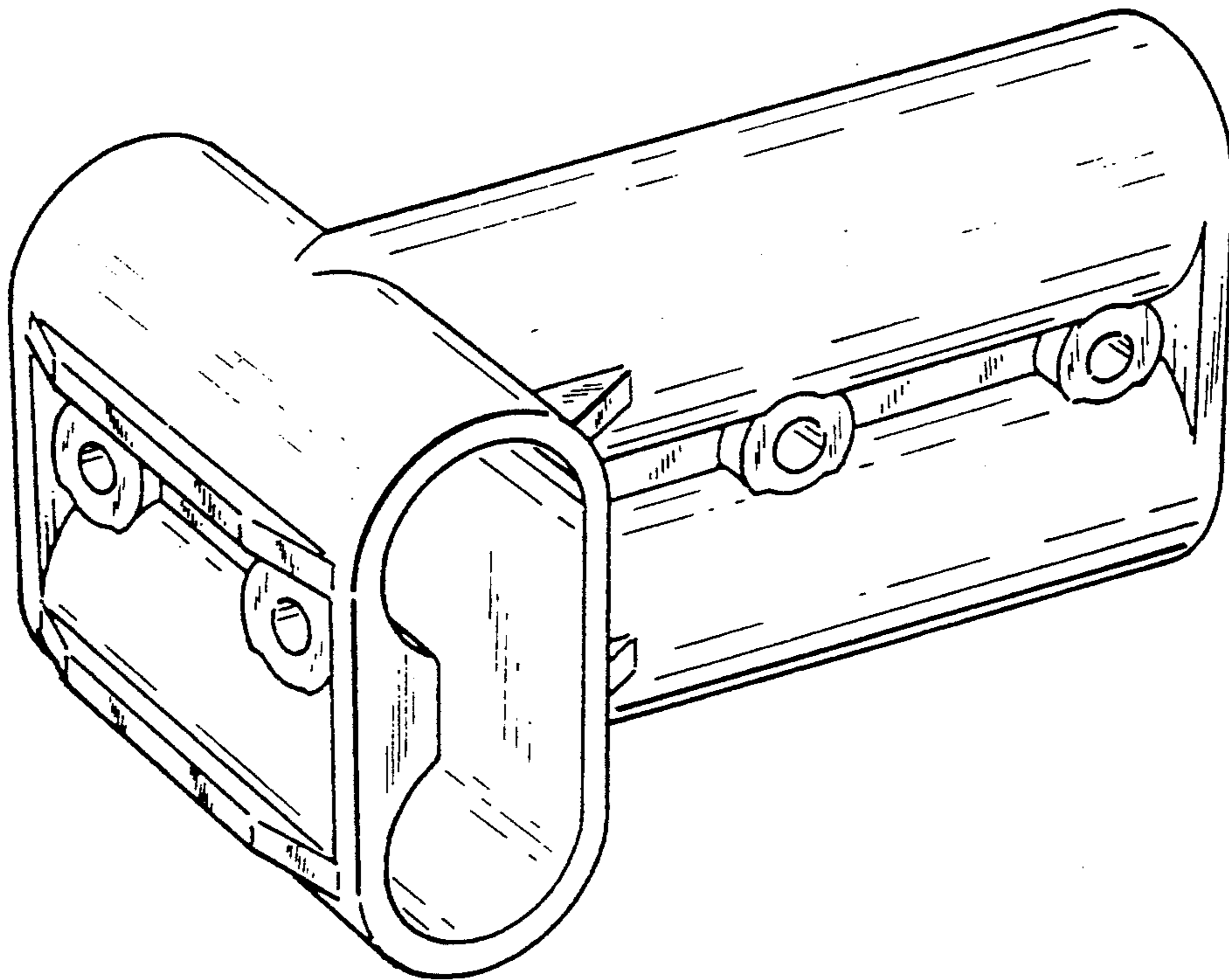


FIG. 1

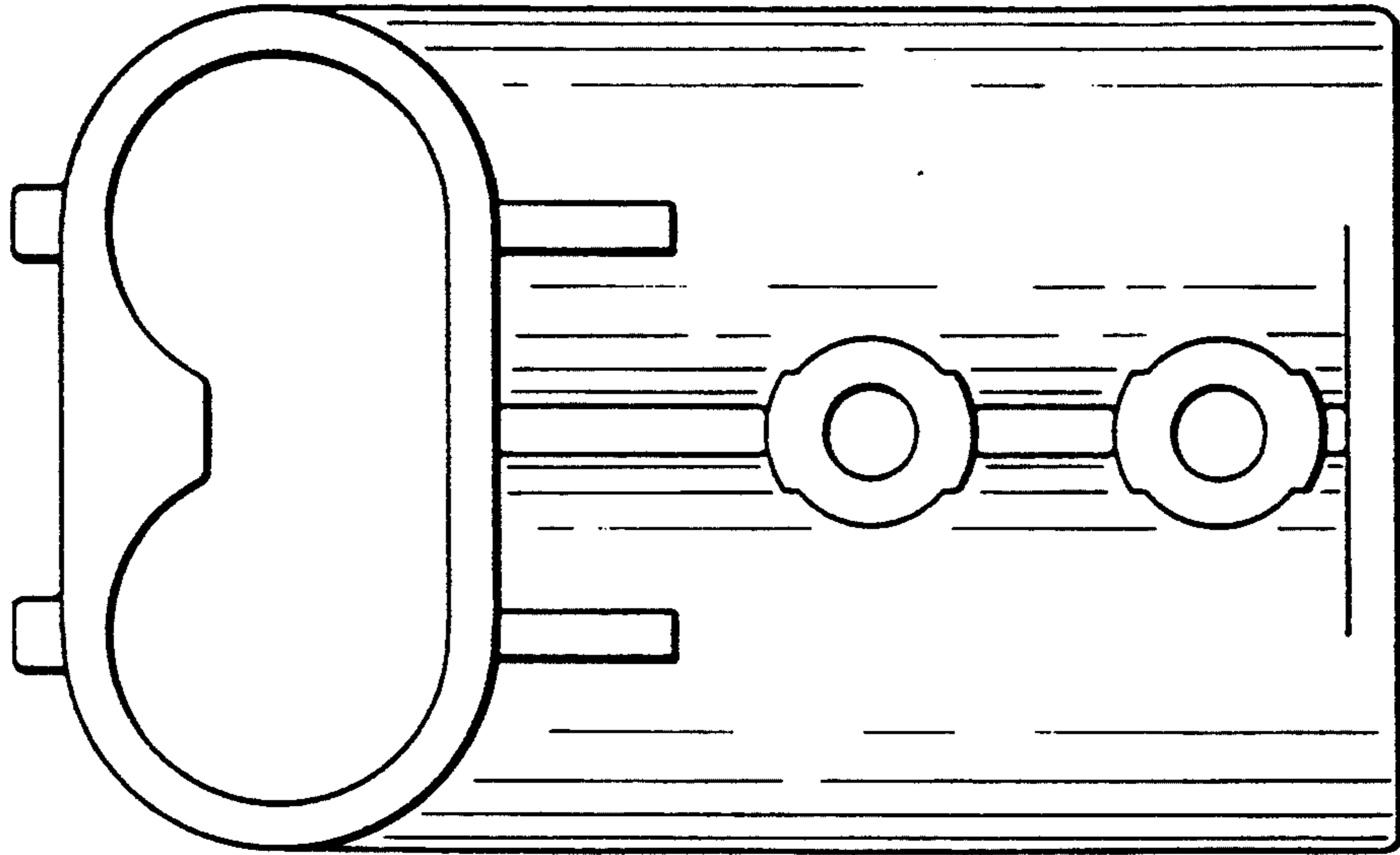


FIG. 2

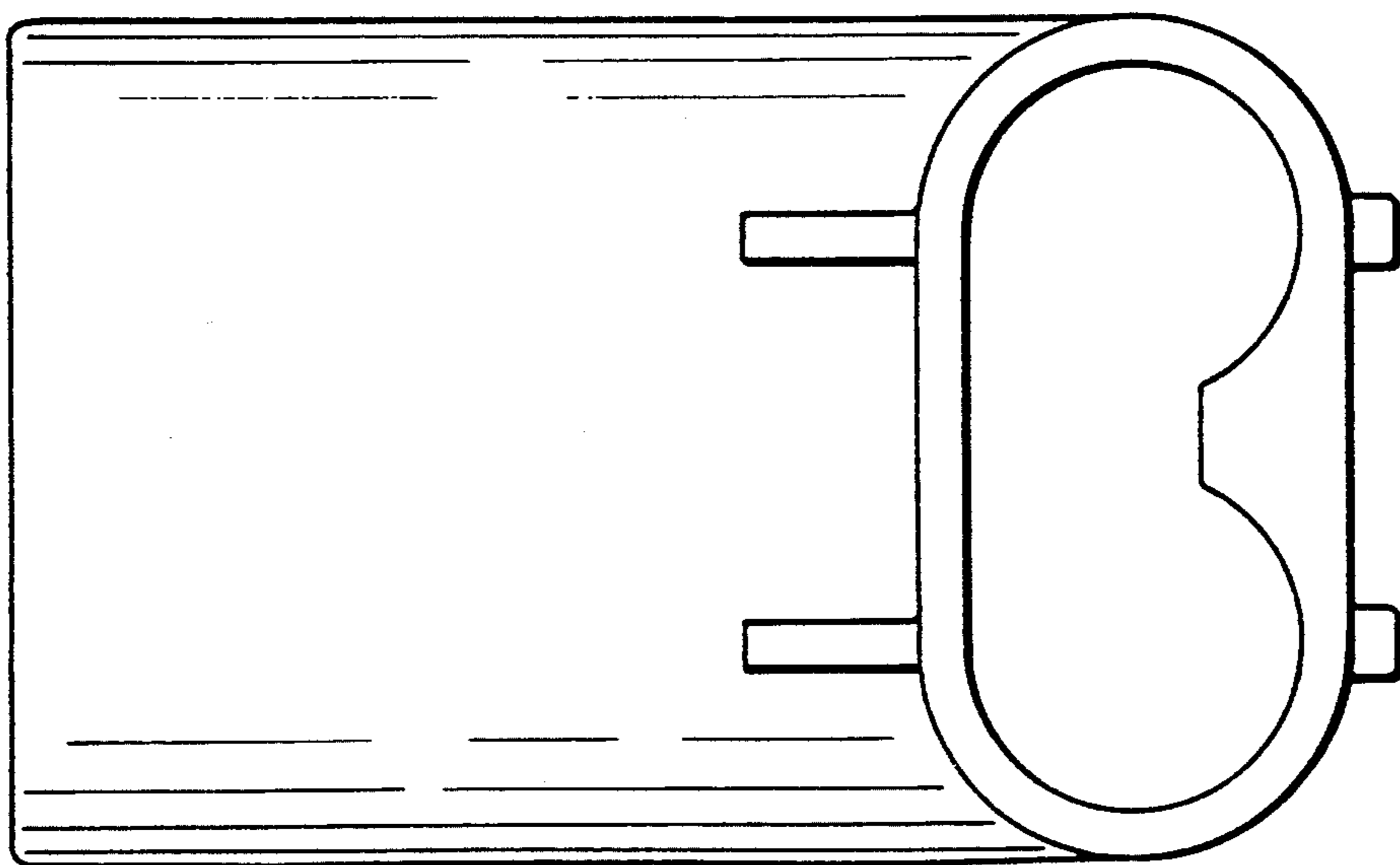


FIG. 3

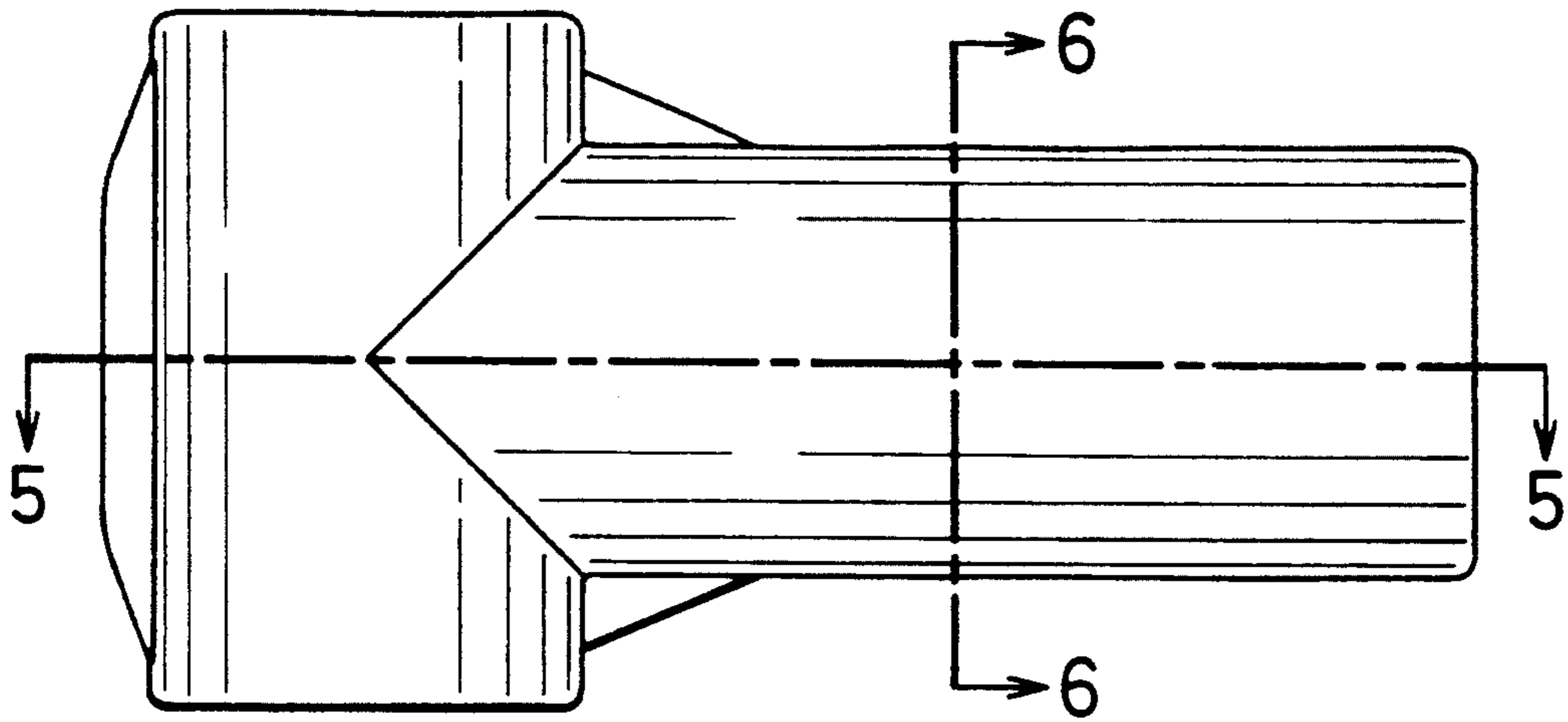


FIG. 4

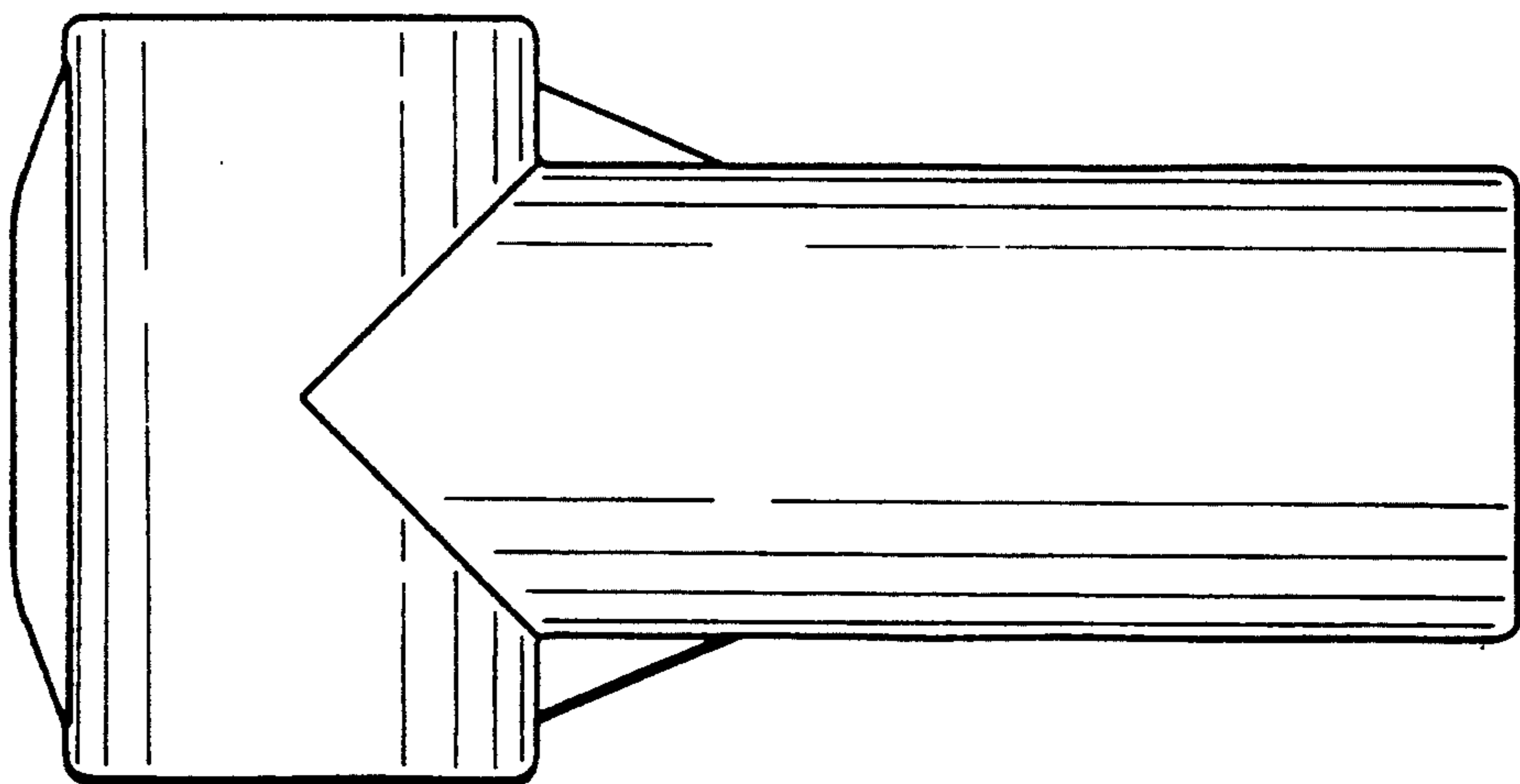


FIG. 5

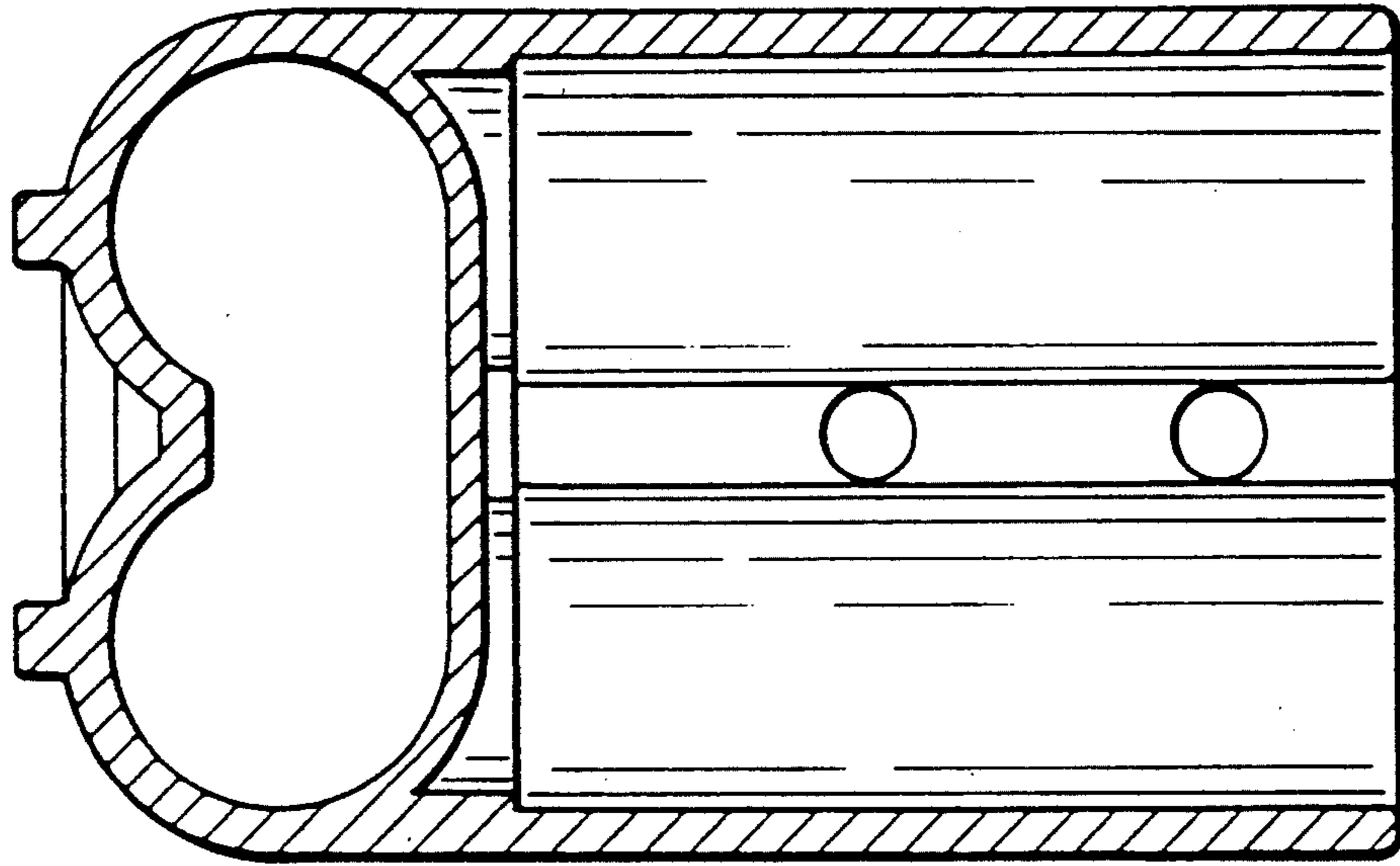


FIG. 6

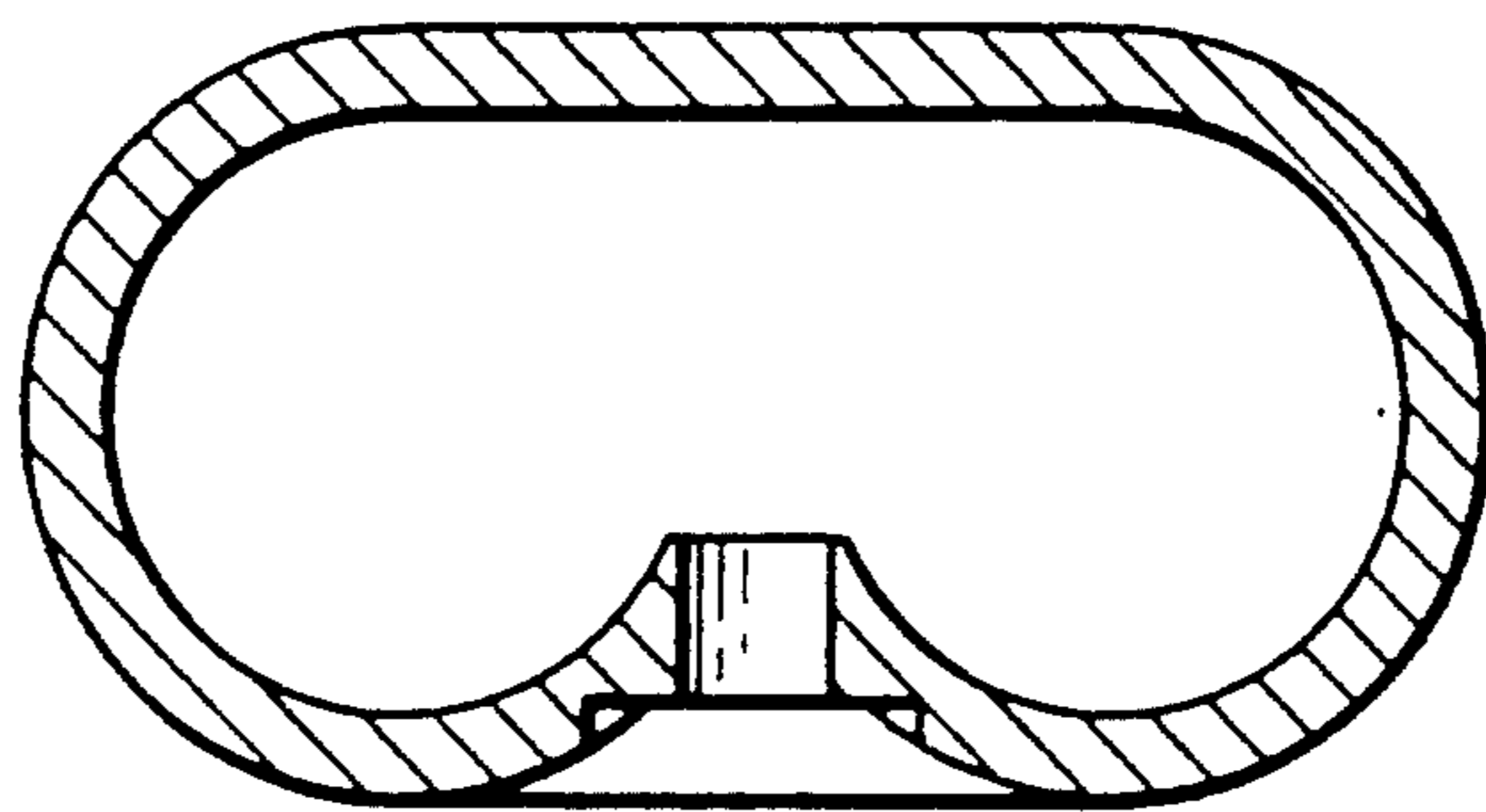


FIG. 7

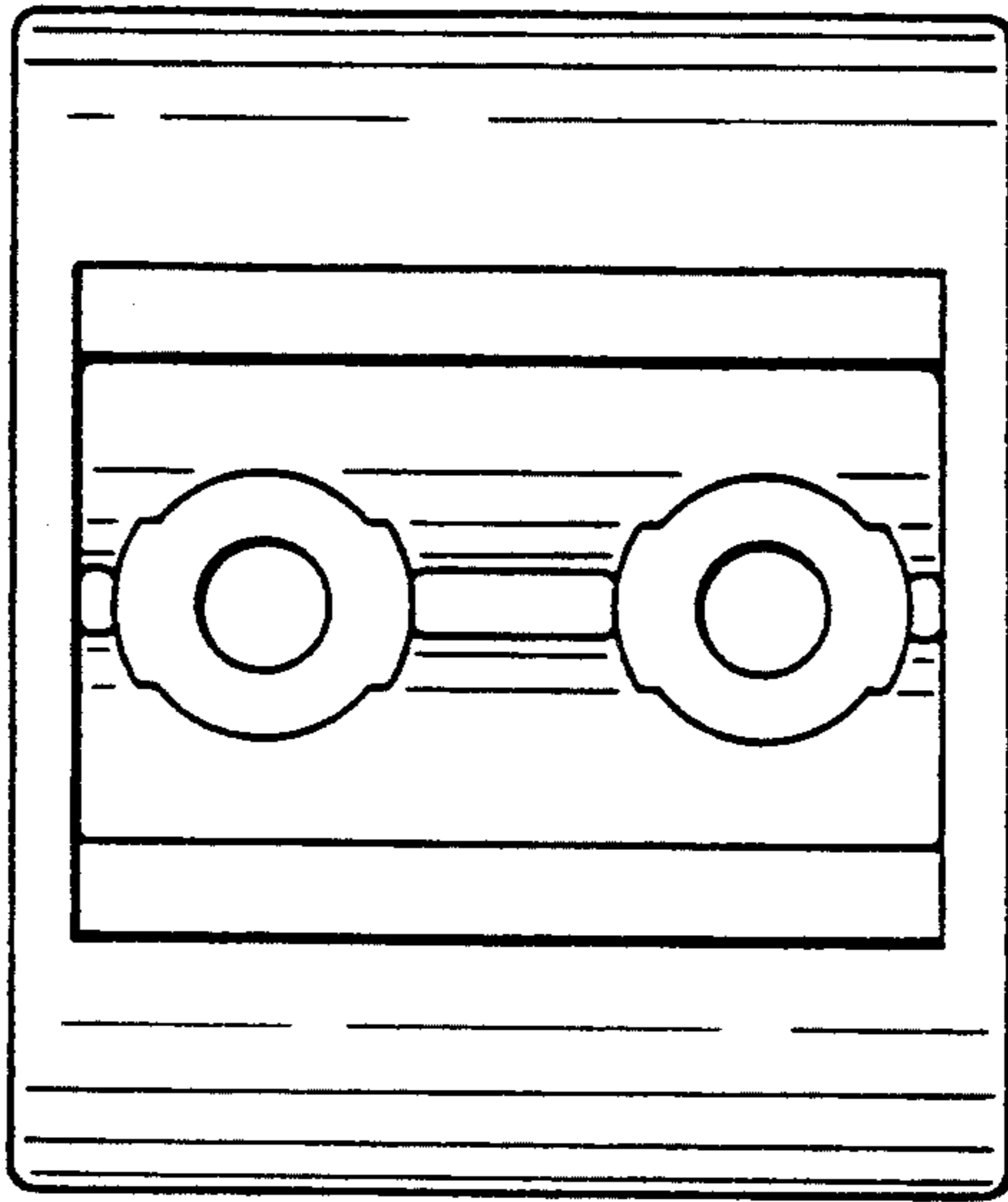


FIG. 8

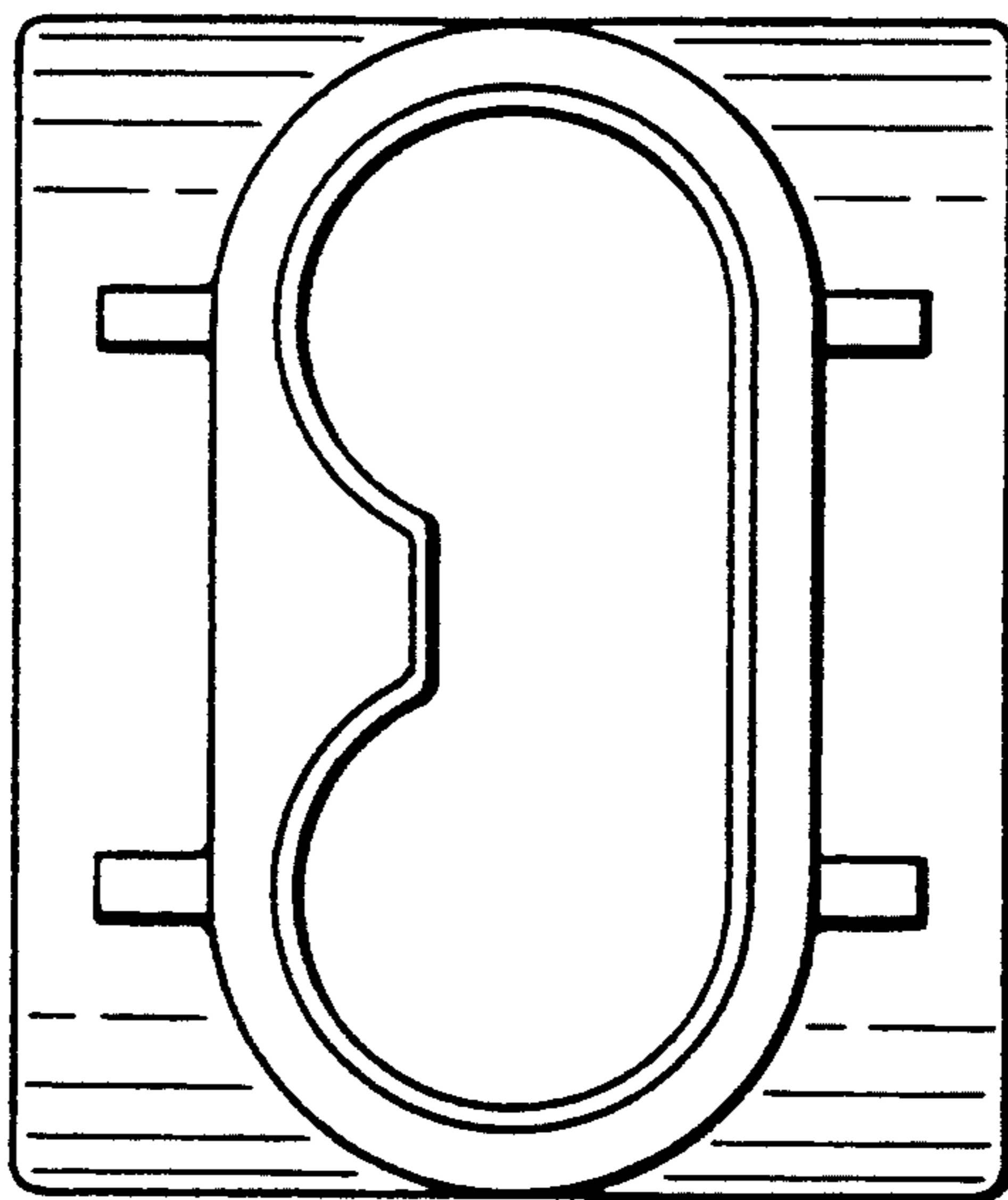


FIG. 9

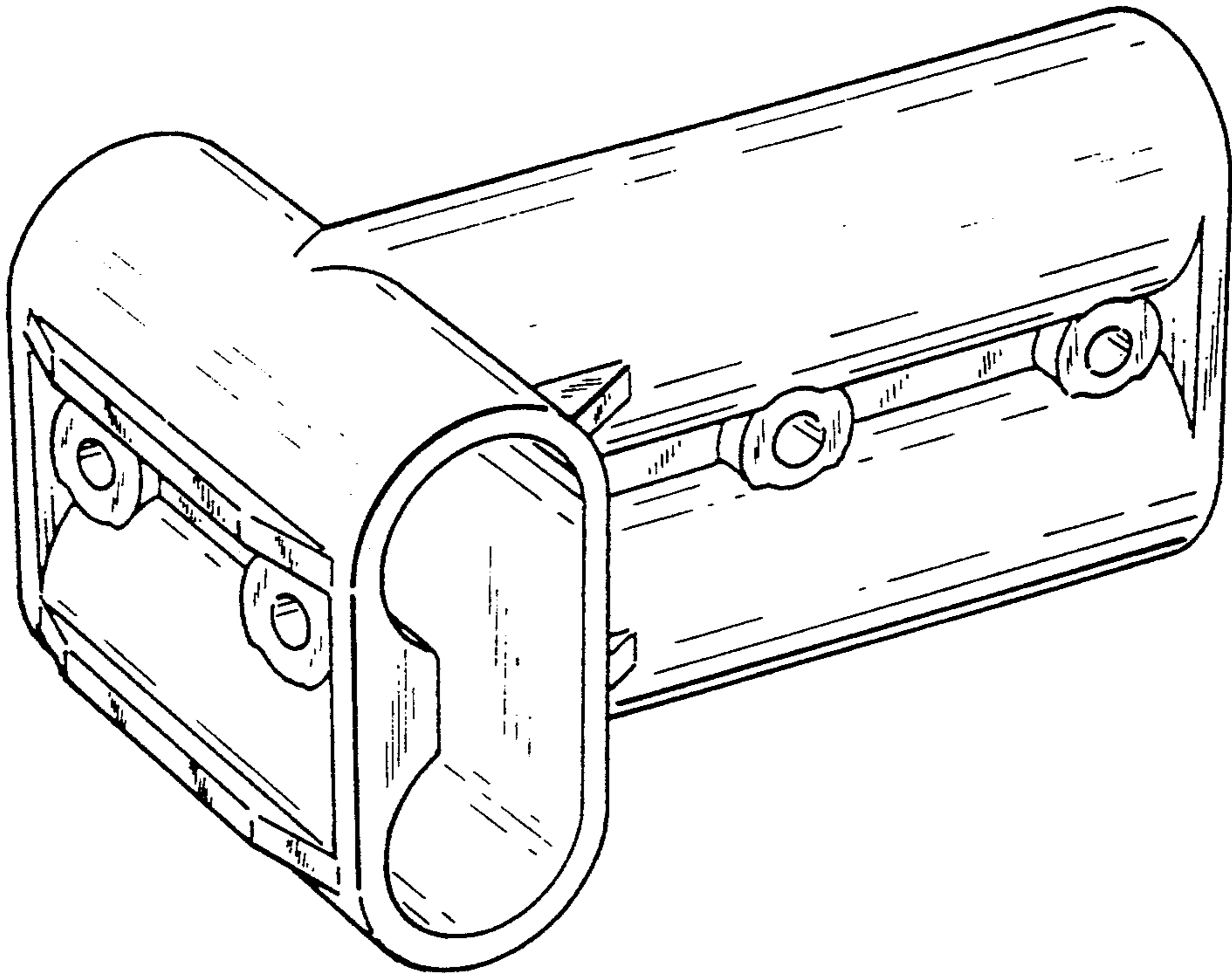




FIG. 10

