



US00D347372S

United States Patent [19]

[11] Patent Number: **Des. 347,372**

Ghode et al.

[45] Date of Patent: **** May 31, 1994**

[54] AIR TOOL

[75] Inventors: **Anil P. Ghode, Mundelein, Ill.; Thomas J. Diedrich, Racine; Steven R. Wentz, Kenosha, both of Wis.; Christopher W. Chudek, Chicago, Ill.**

[73] Assignee: **Snap-on Tools Corporation, Kenosha, Wis.**

[**] Term: **14 Years**

[21] Appl. No.: **850,787**

[22] Filed: **Mar. 13, 1992**

[52] U.S. Cl. **D8/61**

[58] Field of Search **D8/61, 62; 51/170 PT, 51/170; 81/54, 57.11; 173/170**

[56] References Cited

U.S. PATENT DOCUMENTS

- D. 320,540 10/1991 Staubitz et al. D8/61
- D. 323,275 1/1992 Sasaki D8/61
- D. 324,699 3/1992 Ohashi D8/61

Primary Examiner—Alan P. Douglas
Assistant Examiner—Jeffrey H. Musgrove
Attorney, Agent, or Firm—Emrich & Dithmar

[57] CLAIM

The ornamental design for the air tool, as shown and described.

DESCRIPTION

FIG. 1 is a side view of one side showing our new design, the material in phantom forming no part of the design;

FIG. 2 is a side view of the other side showing our new design, the material in phantom forming no part of the design;

FIG. 3 is a top view thereof, the material in phantom forming no part of the design;

FIG. 4 is a bottom view thereof, the material in phantom forming no part of the design;

FIG. 5 is an end view of one end thereof, the material in phantom forming no part of the design;

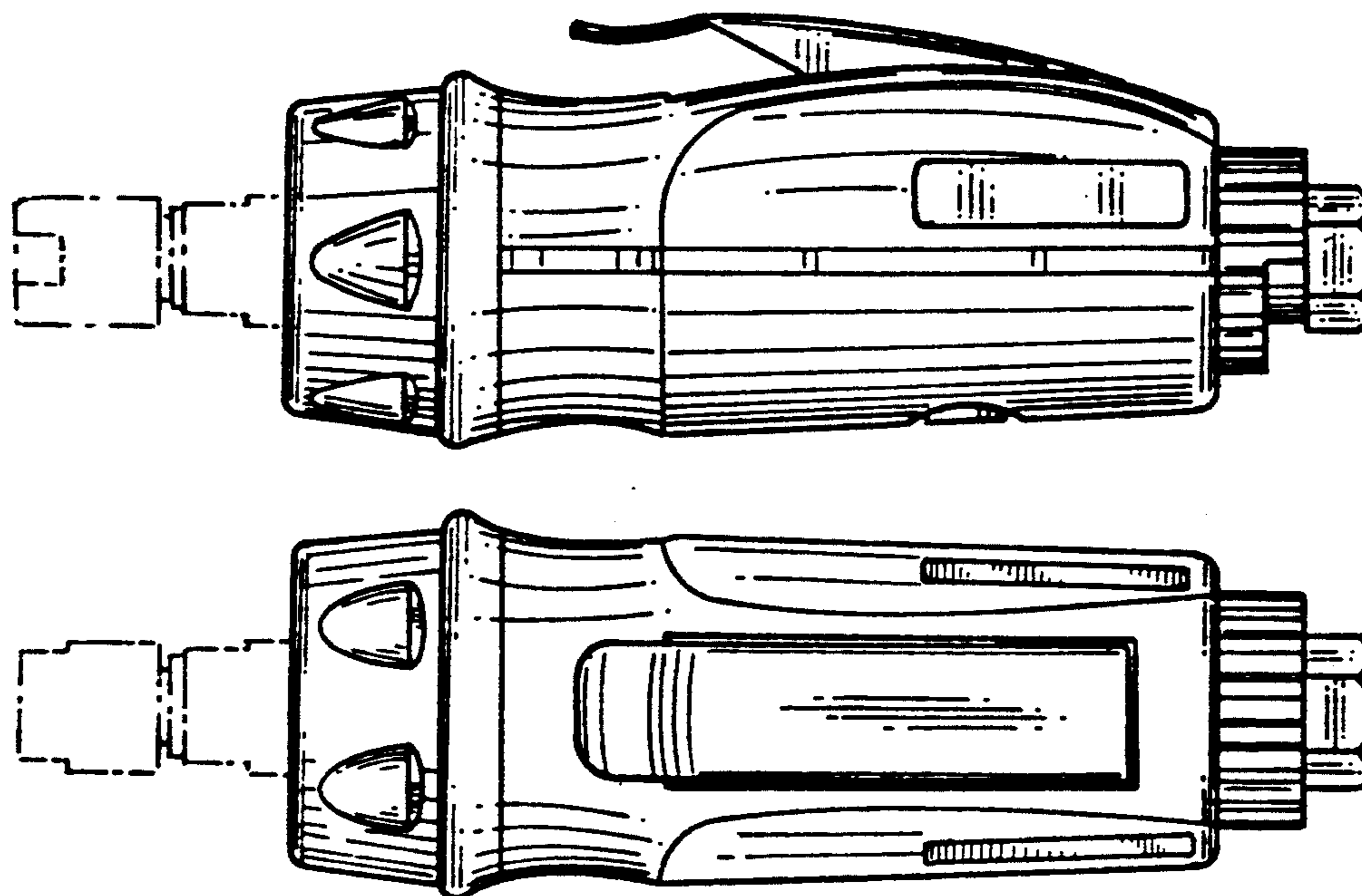
FIG. 6 is an end view of the other end thereof; the material in phantom forming no part of the design;

FIG. 7 is a side view of one side of a second embodiment, the other side being identical and the top, bottom and end views being substantially like FIGS. 3, 4, 5 and 6;

FIG. 8 is a side view of one side of a third embodiment, the other side being identical and the top, bottom and end views being substantially like FIGS. 3, 4, 5 and 6; and,

FIG. 9 is a side view of one side of a fourth embodiment, the other side being identical and the top, bottom and end views being substantially like FIGS. 3, 4, 5 and 6.

The broken line showing of the power tool in FIG. 7, 8 and 9 is for illustrative purposes only and forms no part of the claimed design.



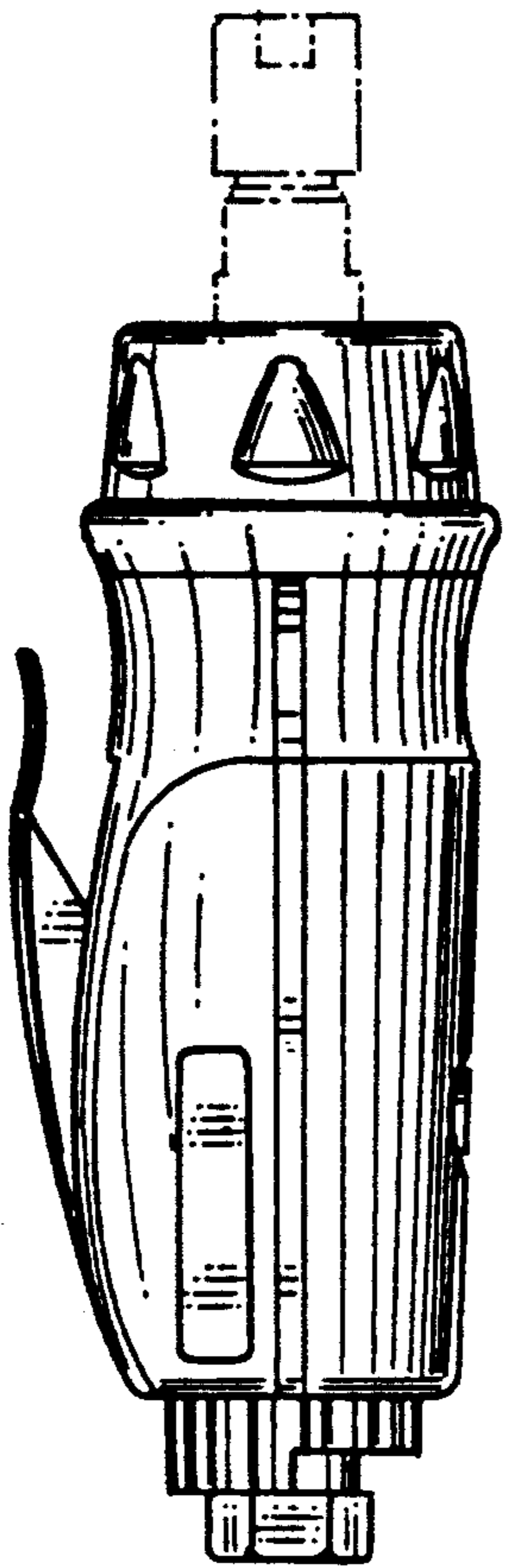


FIG. 2

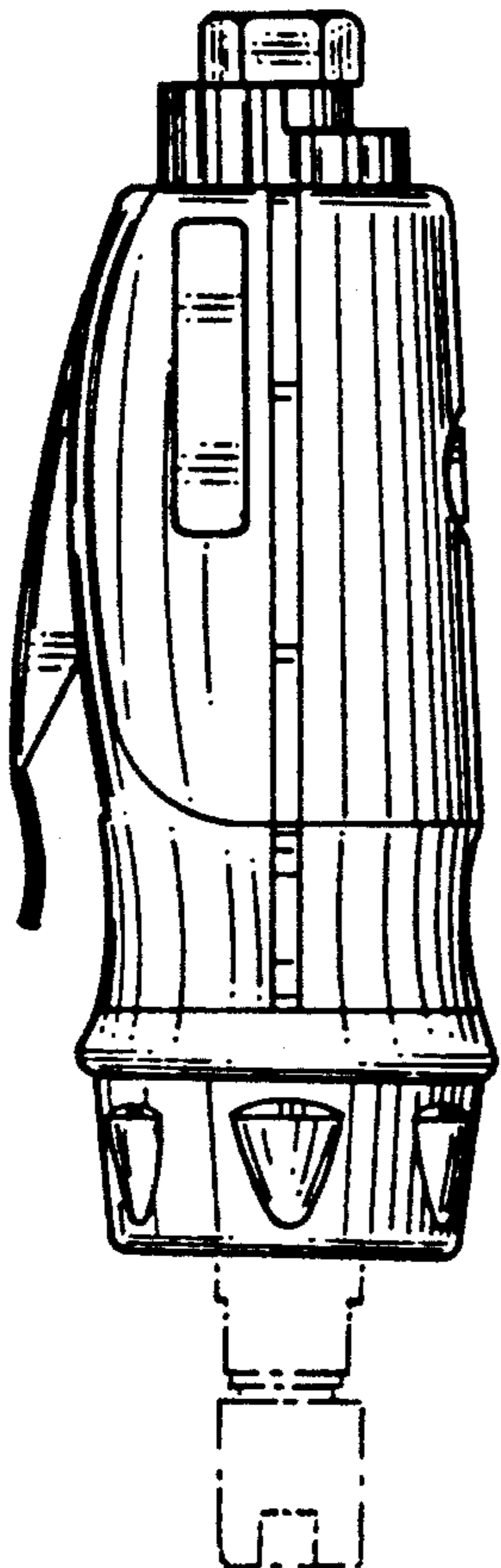


FIG. 1

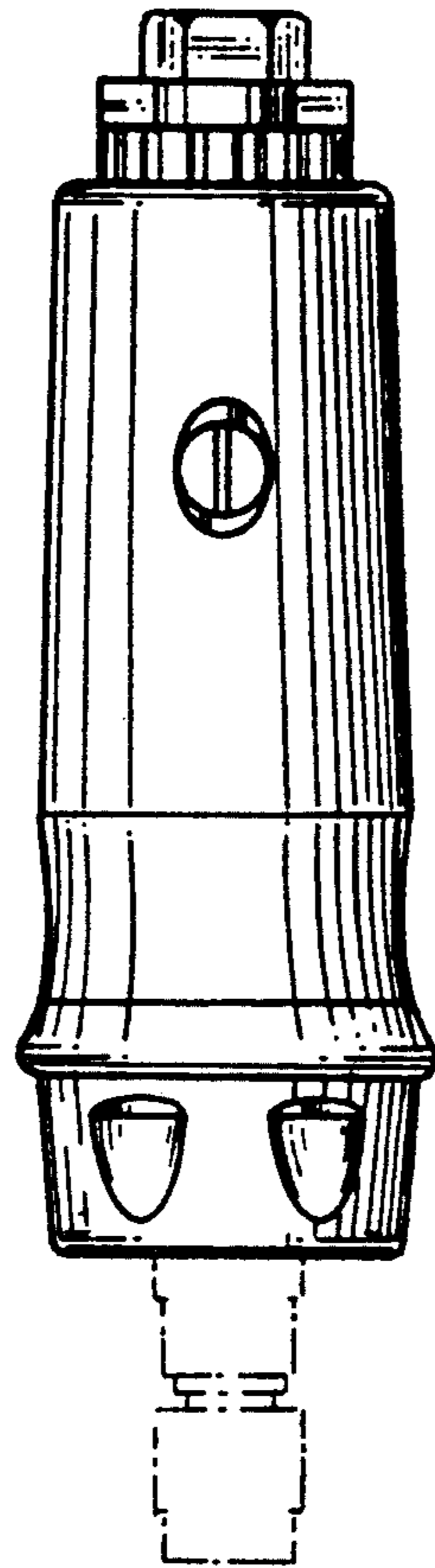


FIG. 4

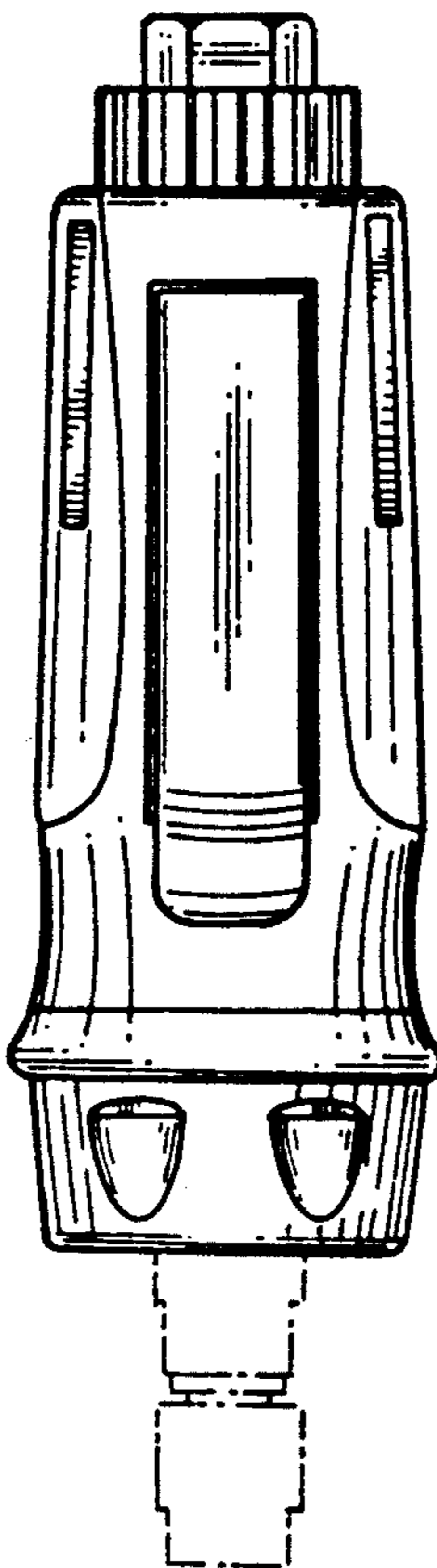


FIG. 3

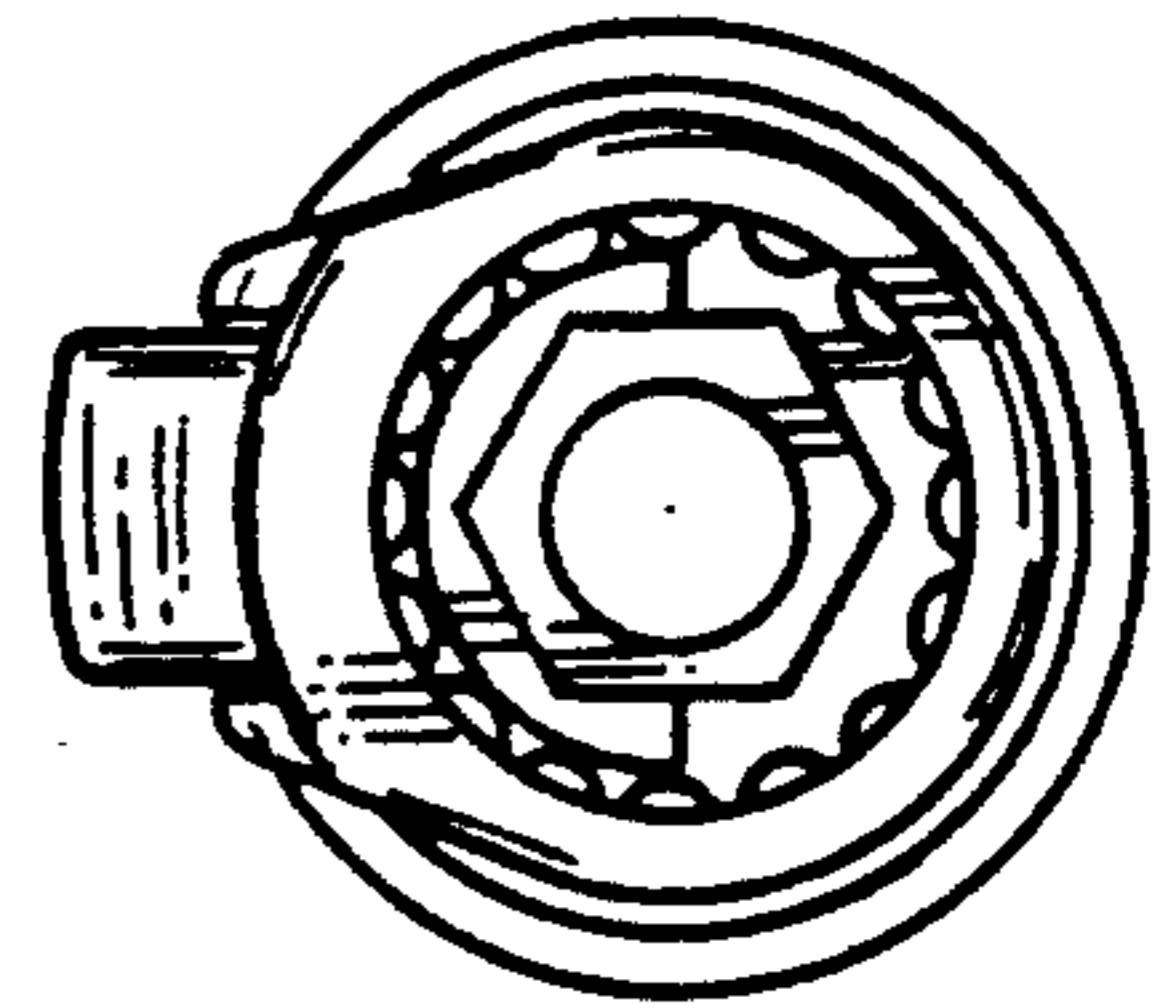


FIG. 6

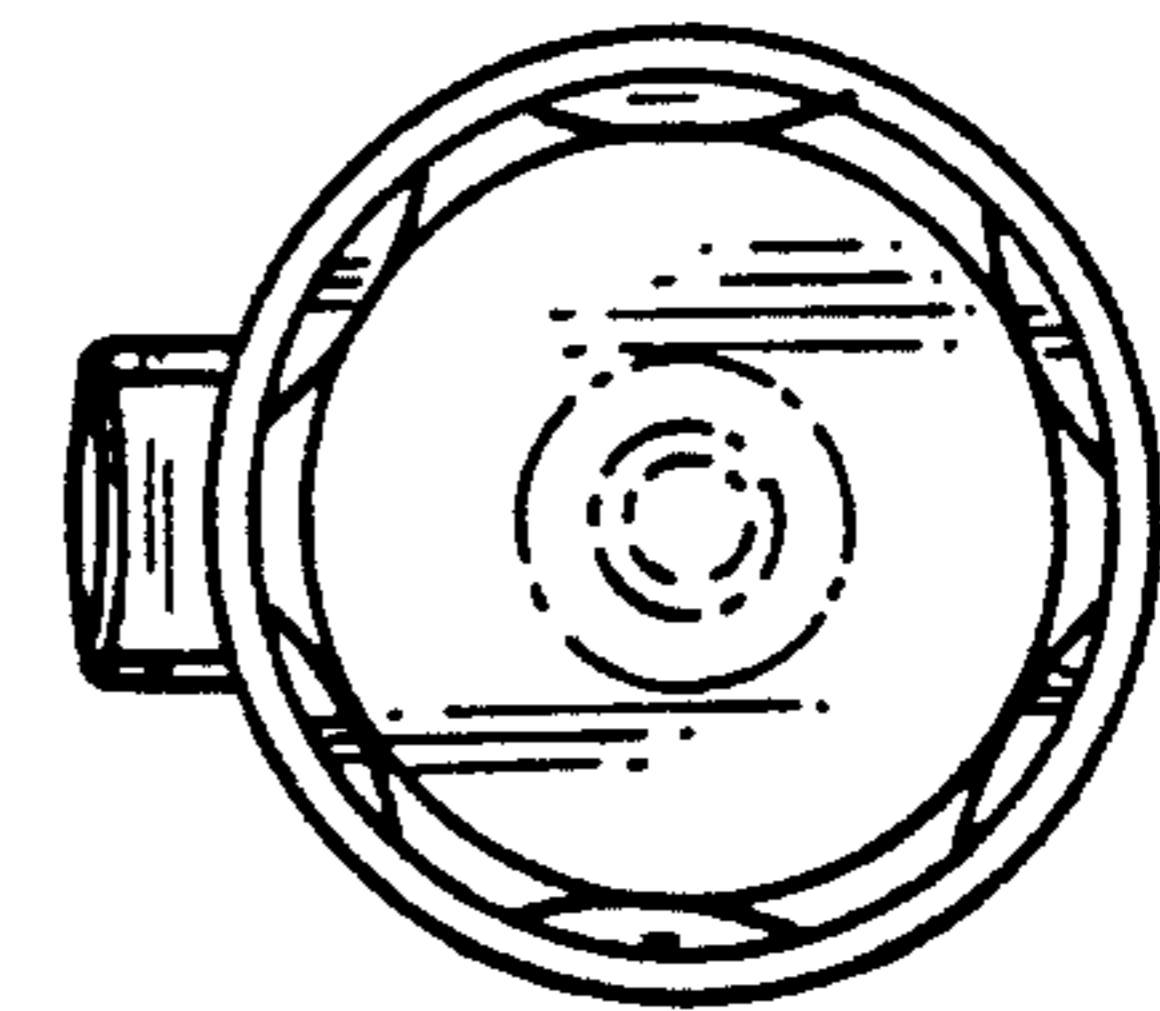


FIG. 5

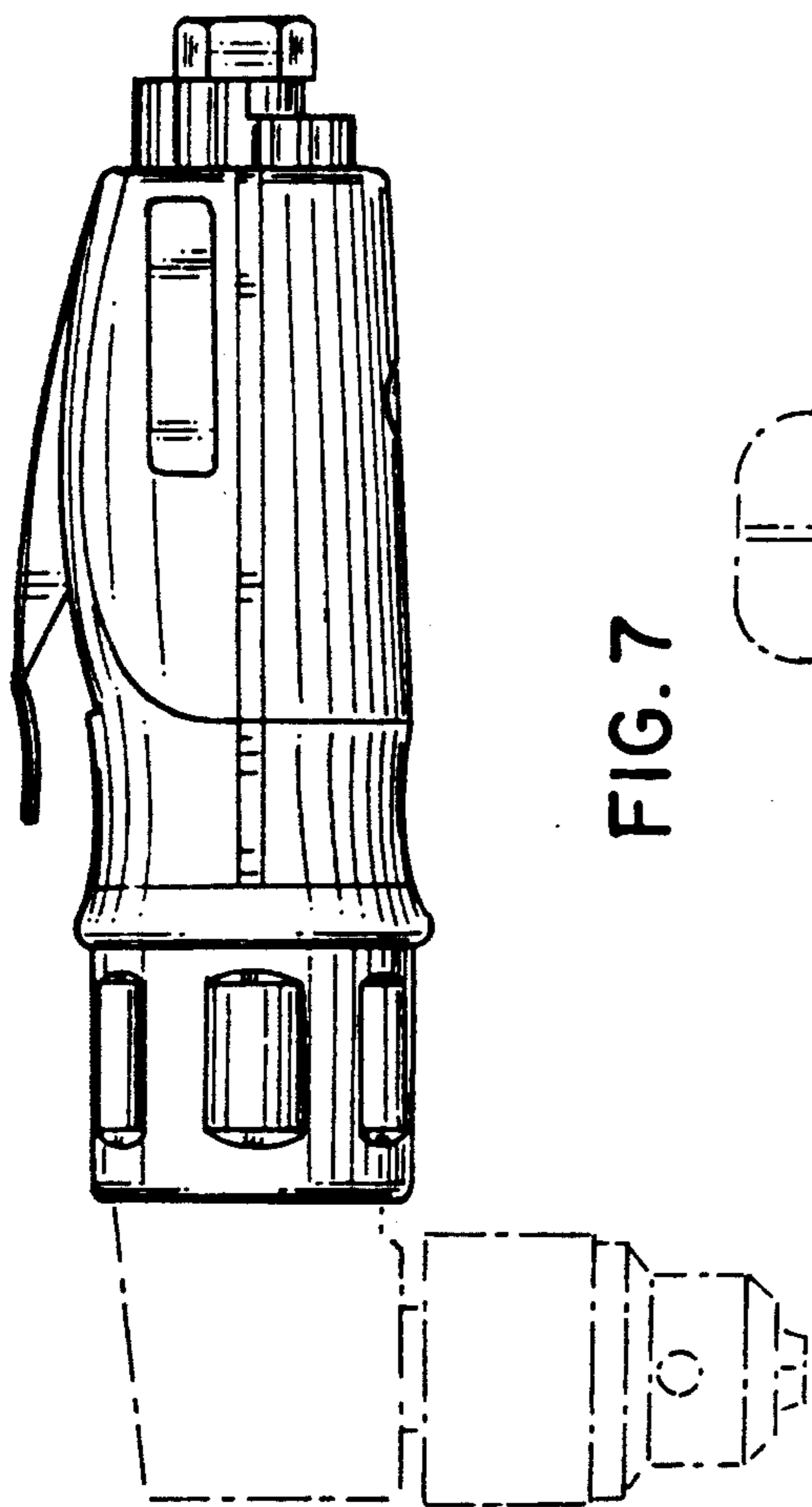


FIG. 7

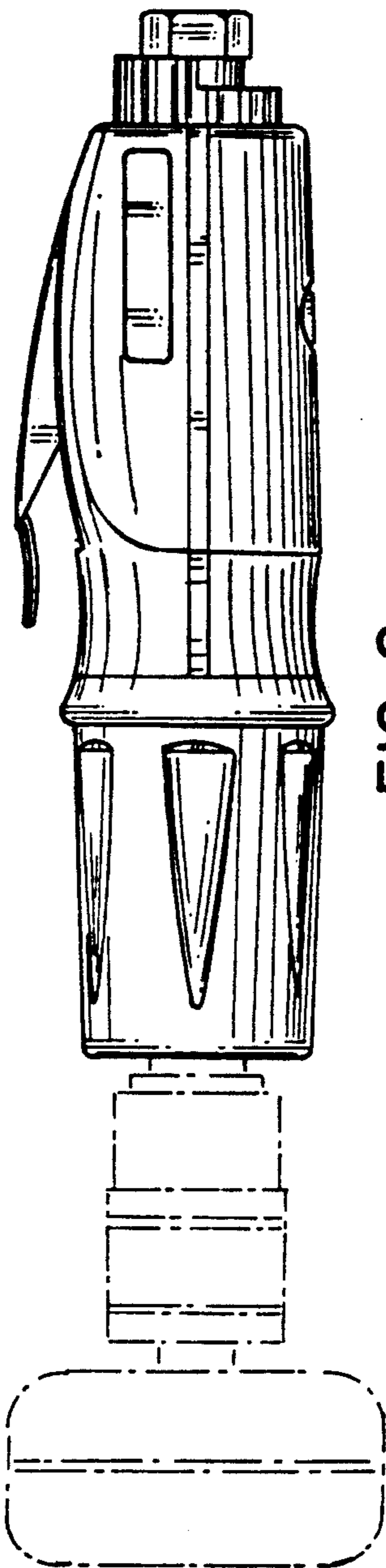


FIG. 8

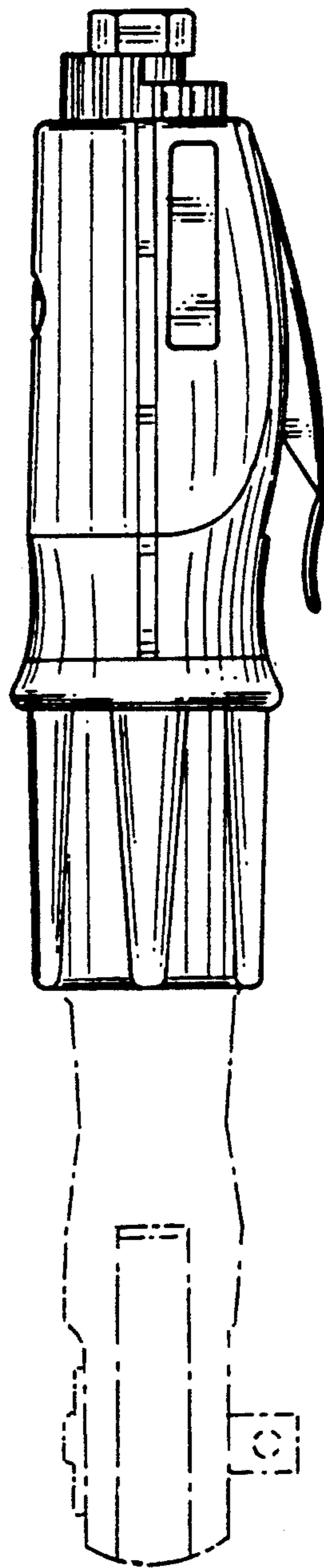


FIG. 9