



US00D347371S

United States Patent [19]

[11] Patent Number: **Des. 347,371**

Konik

[45] Date of Patent: **** May 31, 1994**

[54] **OPTICAL FIBER SPLICE RE-ENTRY TOOL**

4,443,001 4/1984 Haller 29/239

[75] Inventor: **Walter S. Konik, Lilburn, Ga.**

4,660,241 4/1987 Chen et al. 7/127

[73] Assignee: **AT&T Bell Laboratories, Murray Hill, N.J.**

4,866,838 9/1989 Porter 29/758

4,932,091 6/1990 Krzyanski 29/758

[**] Term: **14 Years**

Primary Examiner—Bernard Ansher

Assistant Examiner—Philip Hyder

Attorney, Agent, or Firm—Donald E. Hayes, Jr.

[21] Appl. No.: **810,777**

[57] CLAIM

[22] Filed: **Dec. 19, 1991**

The ornamental design for a optical fiber splice re-entry tool, as shown and described.

[52] U.S. Cl. **D8/51**

[58] Field of Search **D8/14, 51; 29/239, 758; 385/95, 96, 97, 98, 70, 86, 134, 136**

DESCRIPTION

[56] References Cited

U.S. PATENT DOCUMENTS

D. 279,545	7/1985	Norin et al.	D8/51
2,594,789	4/1952	Morin	29/239
3,997,957	12/1976	Tone et al.	29/239
4,173,067	11/1979	Steiner et al.	29/758

FIG. 1 is a perspective view of the optical fiber splice re-entry tool;

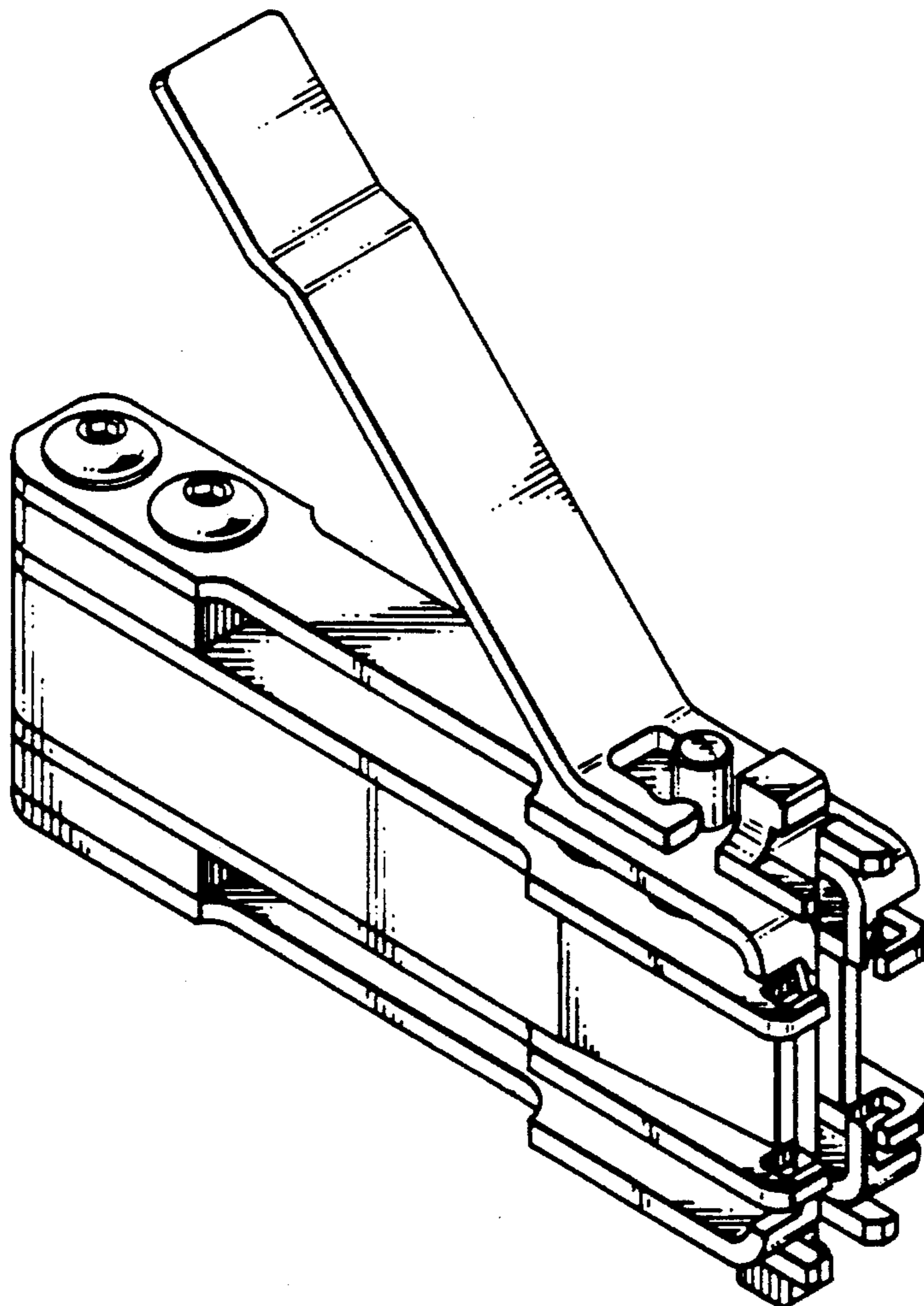
FIG. 2 is a front elevational view thereof;

FIG. 3 is a right side elevational view thereof;

FIG. 4 is a rear elevational view thereof;

FIG. 5 is a left side elevational view thereof; and,

FIG. 6 is a bottom plan view thereof.



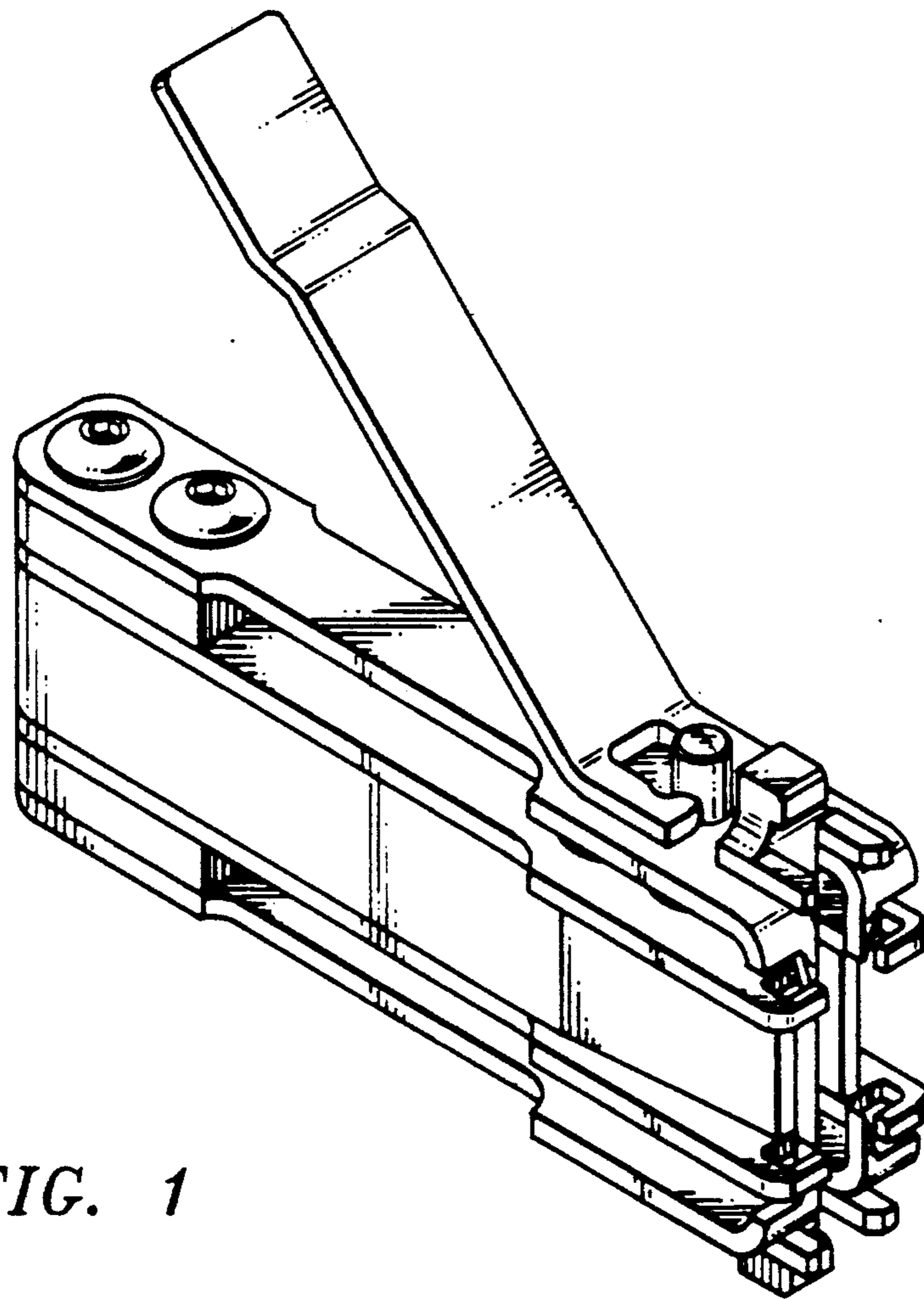


FIG. 1

FIG. 2

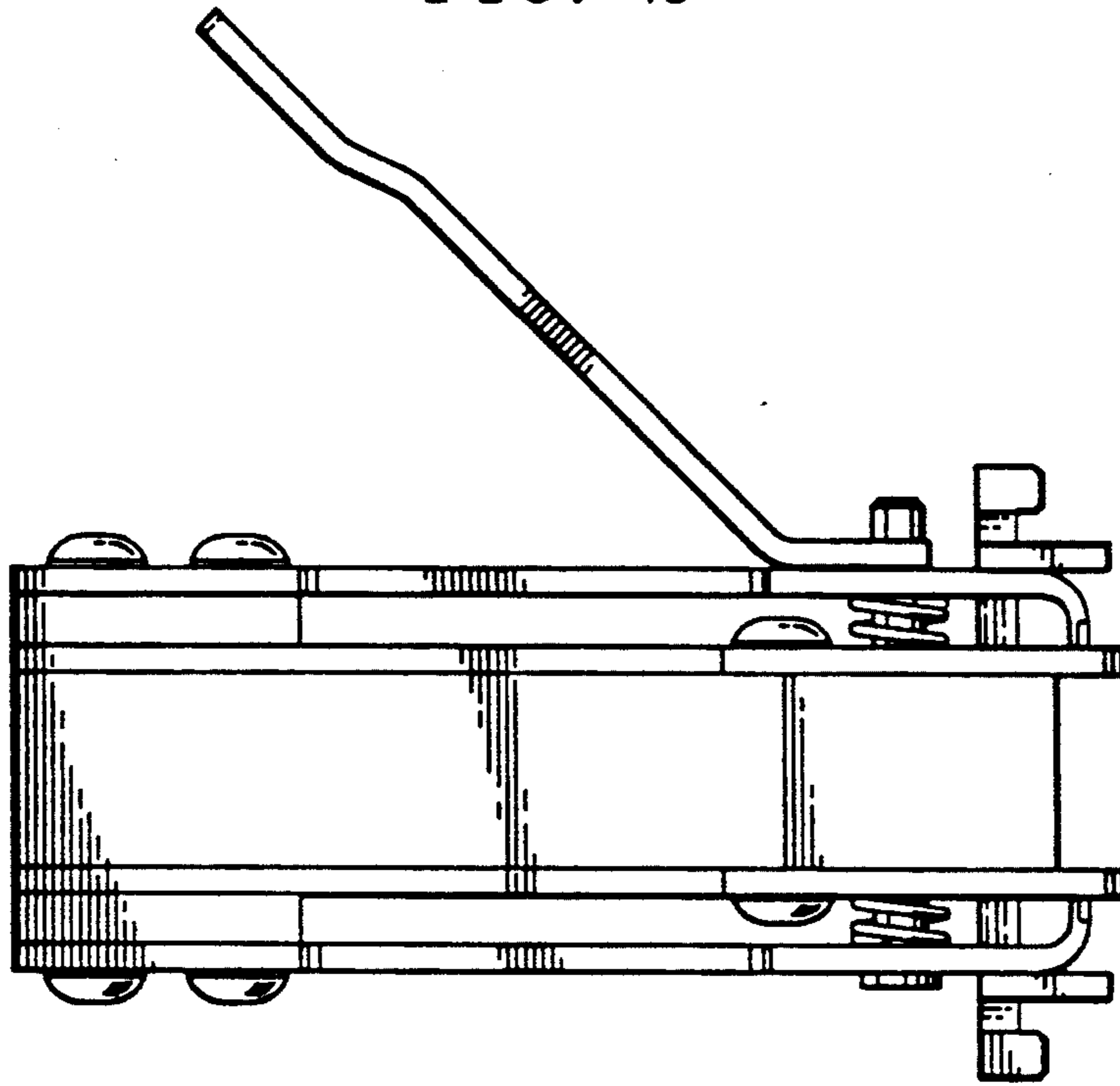


FIG. 3

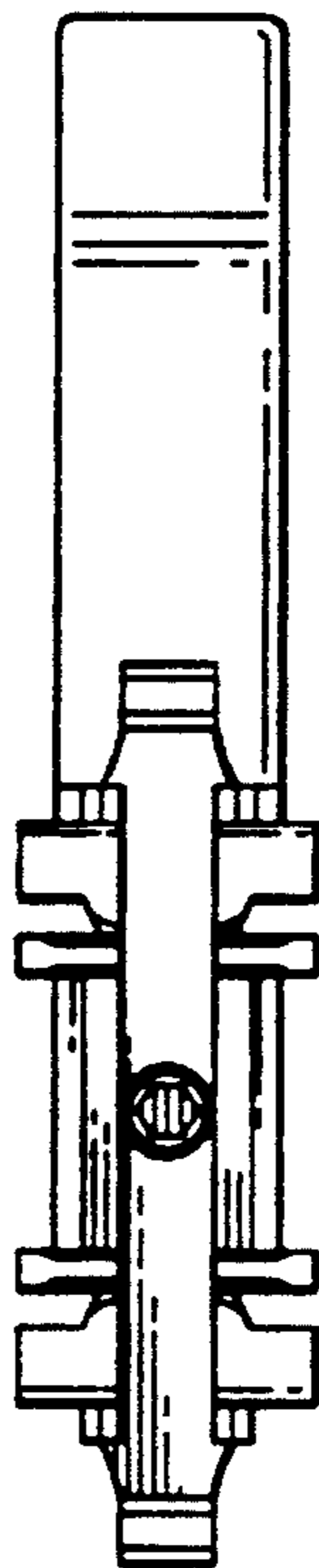


FIG. 4

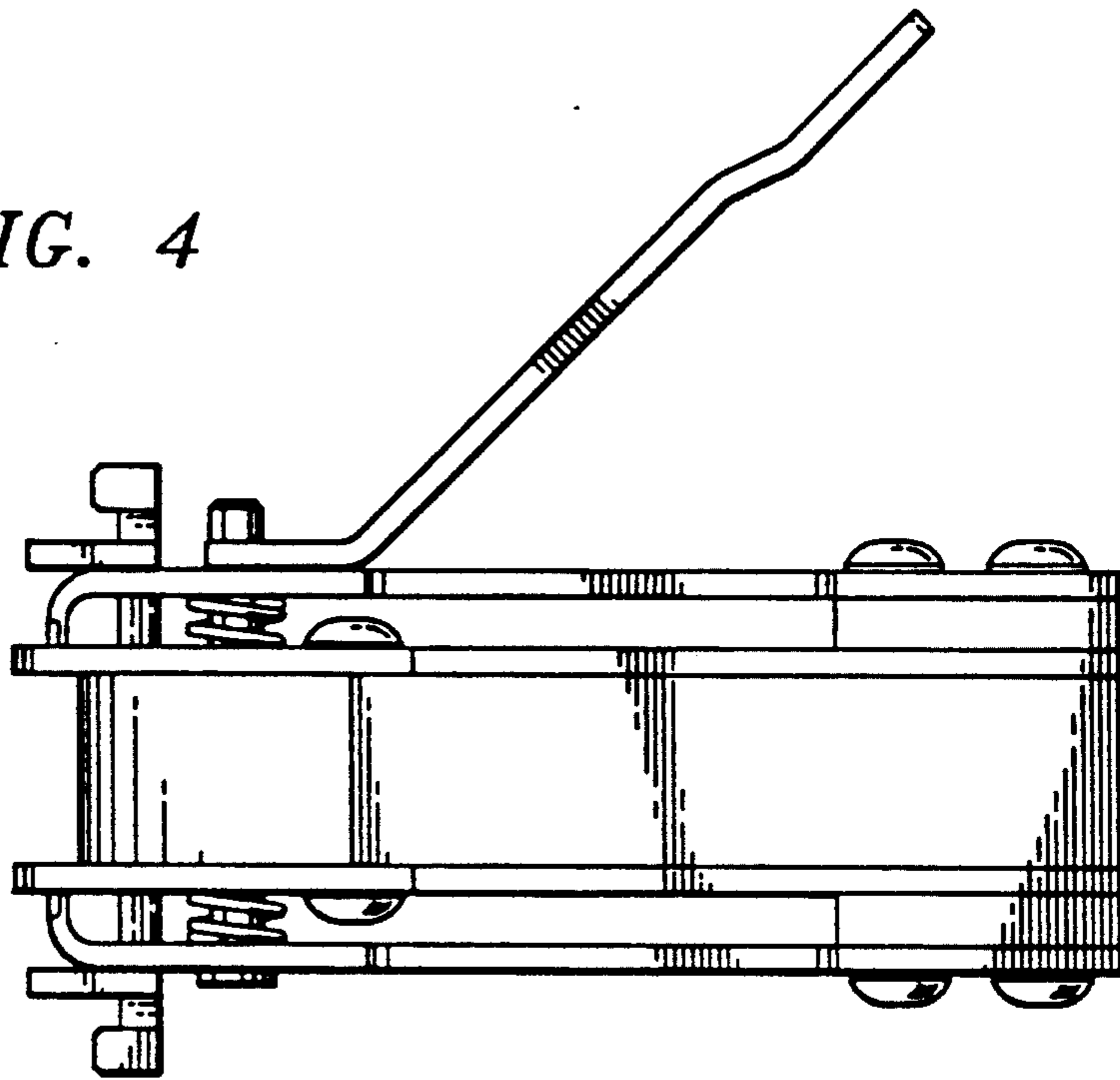


FIG. 5

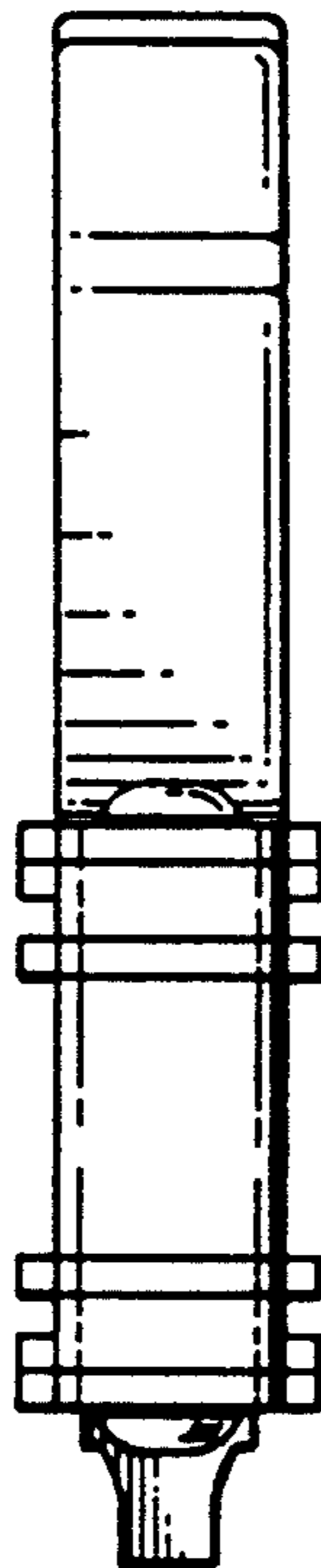


FIG. 6

