



US00D347368S

# United States Patent [19]

[11] Patent Number: **Des. 347,368**

Gedert

[45] Date of Patent: **\*\* May 31, 1994**

[54] **COMBINED SUPPORT AND LEVEL FOR LINE TRIMMER**

3,971,196 7/1976 Stevenson ..... 56/255  
4,306,406 12/1981 Fulkerson et al. .... 56/255

[76] Inventor: **Leon J. Gedert**, 7442 S. Dixie, Erie, Mich. 48133

*Primary Examiner*—Bernard Ansher  
*Assistant Examiner*—Sandra Morris  
*Attorney, Agent, or Firm*—Watkins, Dunbar & Pollick

[\*\*] Term: **14 Years**

[57] **CLAIM**

[21] Appl. No.: **729,193**

The ornamental design for combined support and level for line trimmer, as shown and described.

[22] Filed: **Apr. 2, 1991**

[52] U.S. Cl. .... **D8/8**

**DESCRIPTION**

[58] Field of Search ..... **D8/8; 33/334, 379; 56/255; D10/69,82; D15/16, 17**

FIG. 1 is a right side elevational view of a combined support and level for line trimmer, showing my new design;

[56] **References Cited**

**U.S. PATENT DOCUMENTS**

- D. 298,220 10/1988 Lasiter ..... D10/82
- D. 318,243 7/1991 Piskula ..... D10/69
- D. 332,753 1/1993 Jones ..... D10/69
- 3,952,483 4/1976 Masterson ..... 56/255

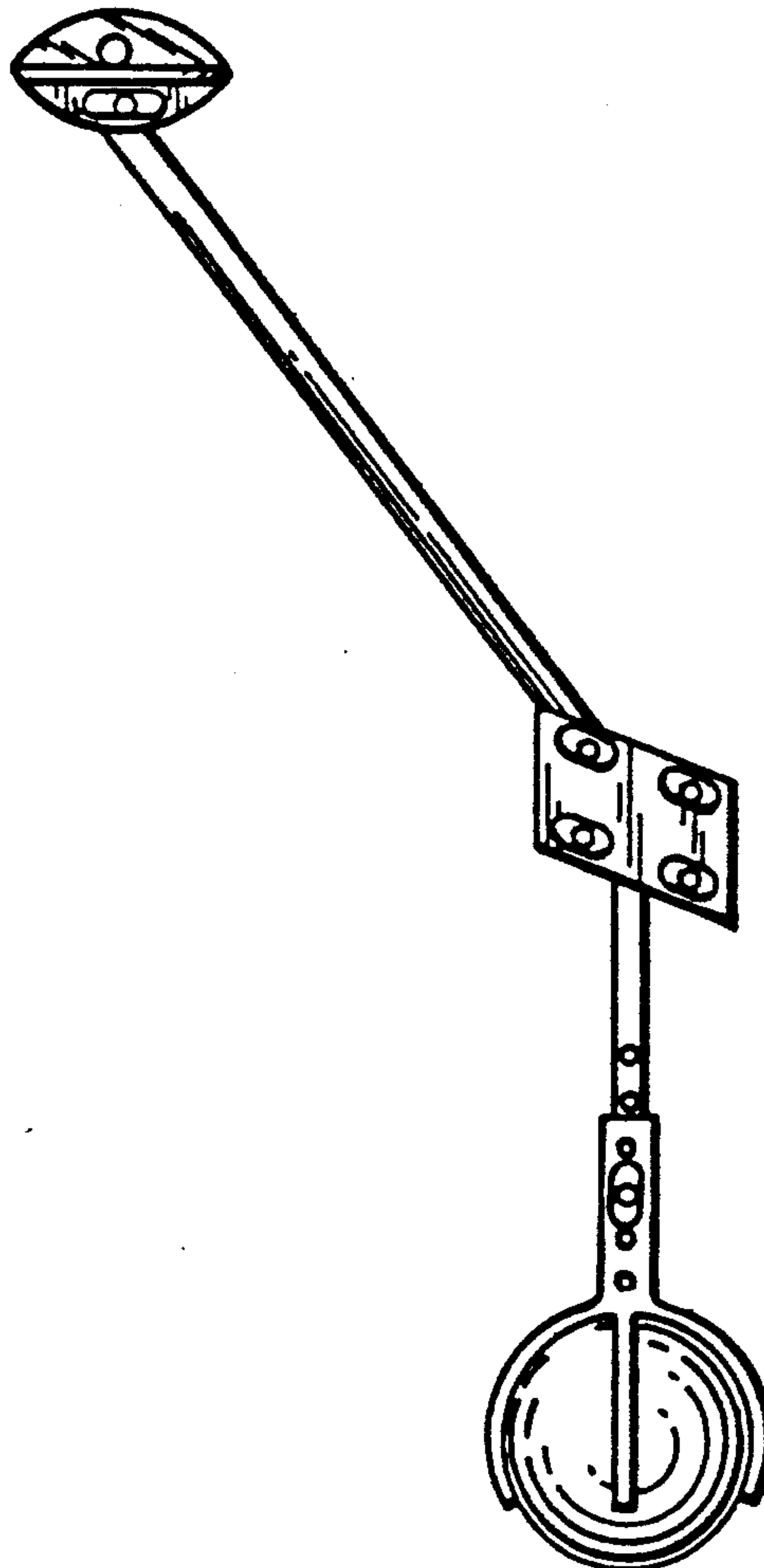
FIG. 2 is a front elevational view thereof;

FIG. 3 is a top plan view thereof;

FIG. 4 is a bottom plan view thereof;

FIG. 5 is a rear elevational view thereof; and,

FIG. 6 is a left side elevational view thereof.



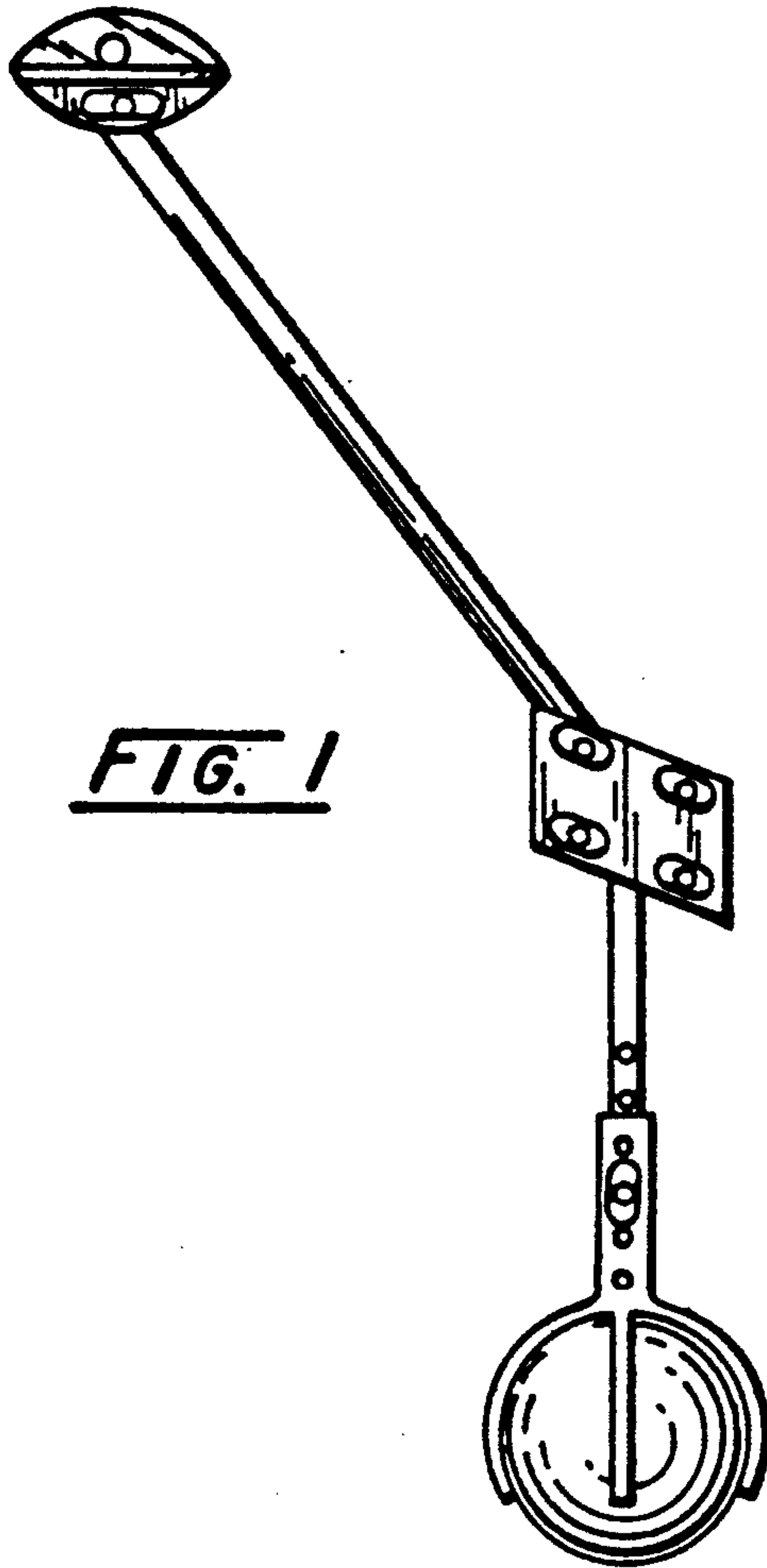


FIG. 1

FIG. 2

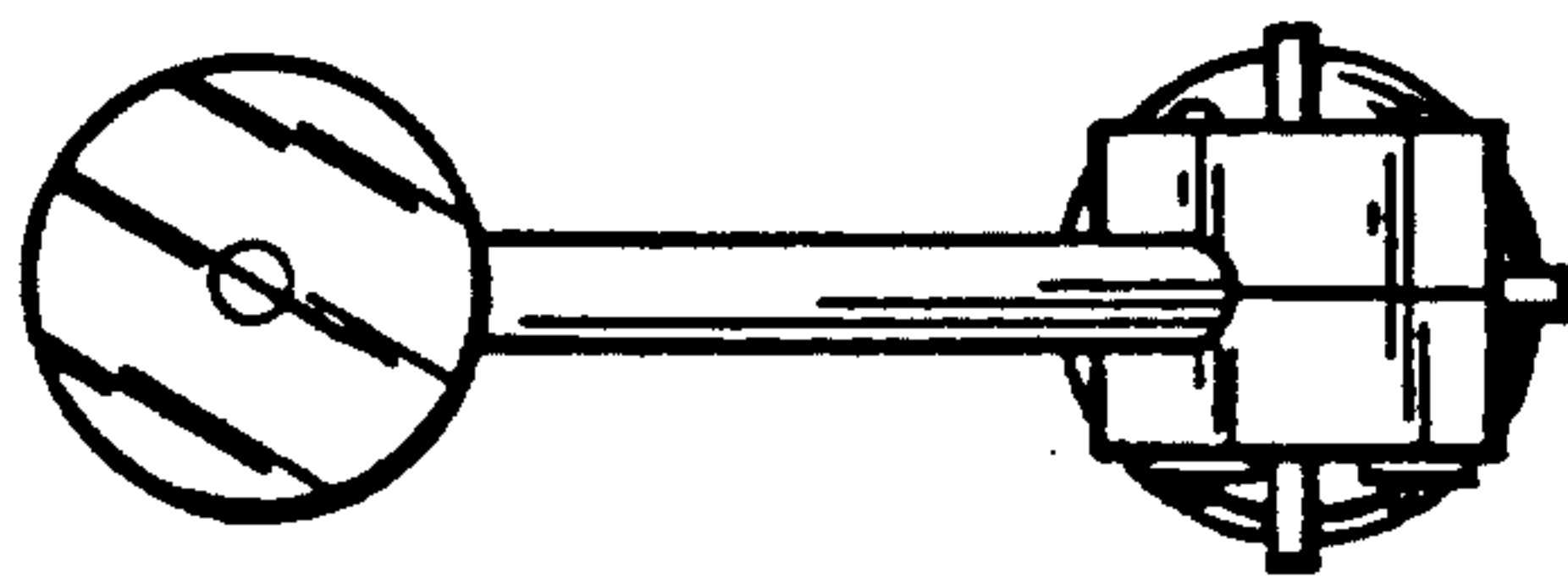
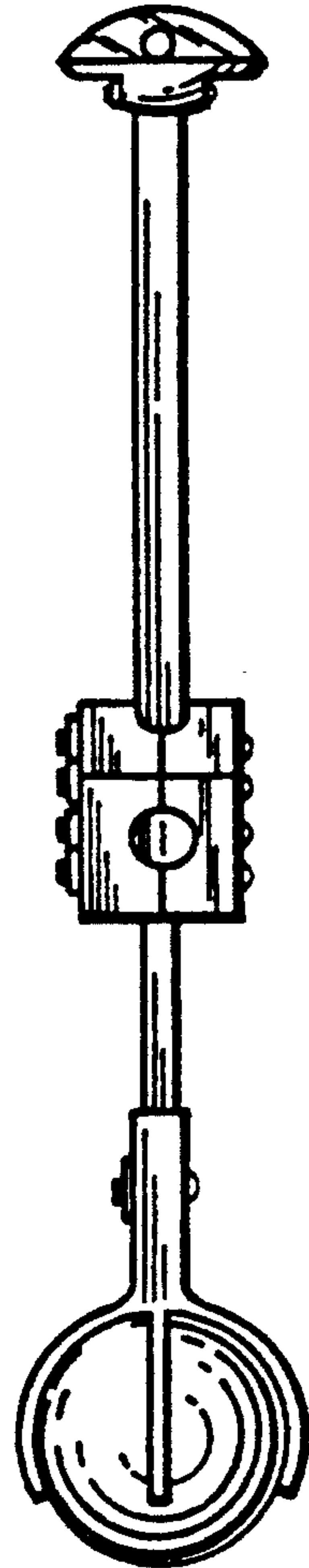


FIG. 3

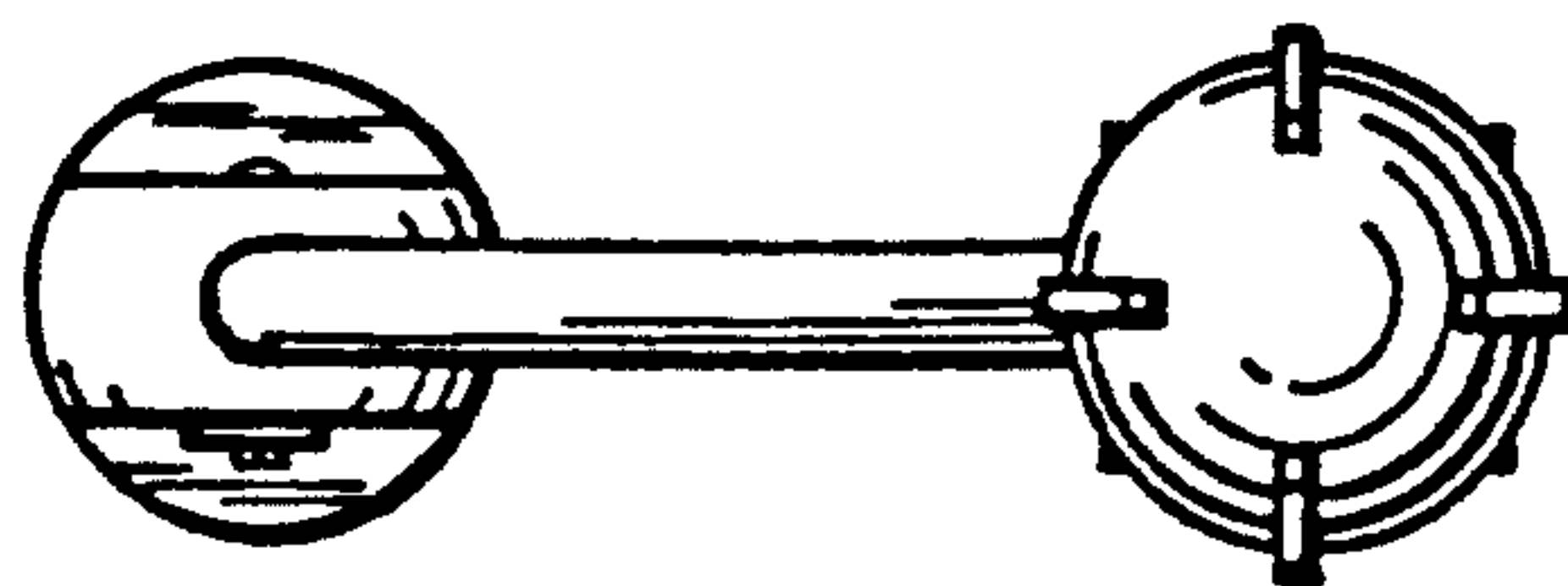


FIG. 4

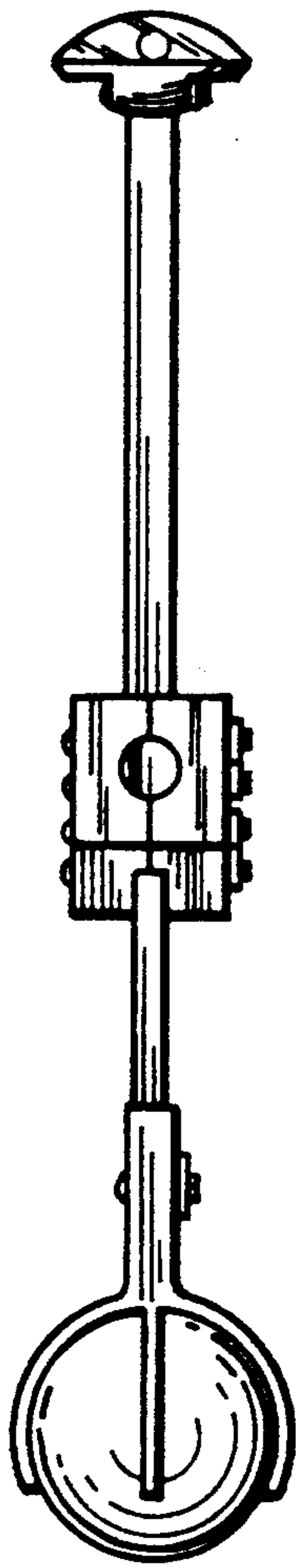


FIG. 5

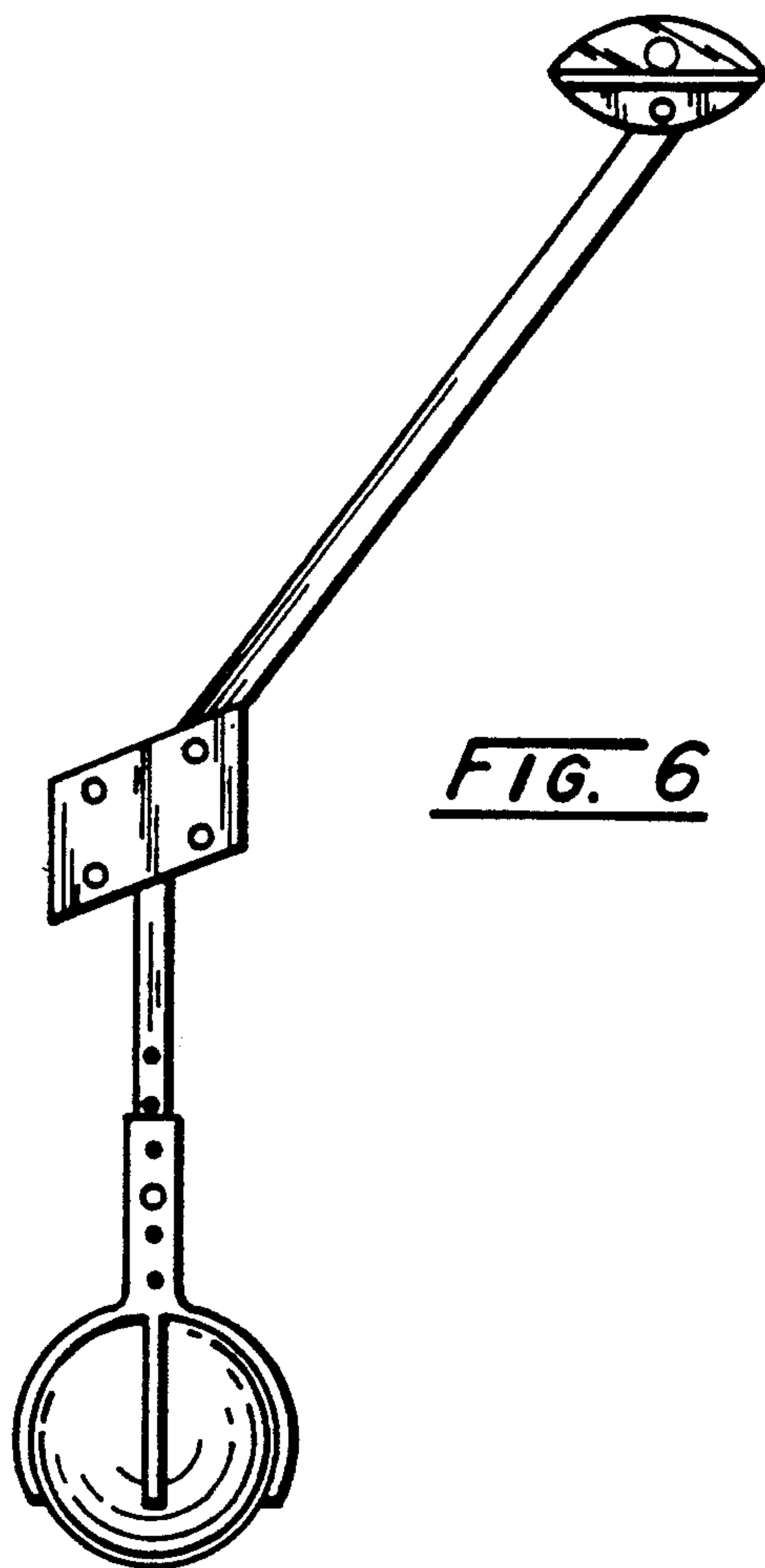


FIG. 6