



US00D347366S

# United States Patent [19]

[11] Patent Number: **Des. 347,366**

Harmen et al.

[45] Date of Patent: **\*\* May 31, 1994**

[54] **BUTTER OR MARGARINE DISPENSER**

5,374,048 3/1968 Koskinen ..... 401/12 X

[76] Inventors: **Larry Harmen; Mildred Harmen,**  
both of 4606 Eggers Dr., Fremont,  
Calif. 94536

*Primary Examiner*—Terry A. Wallace

[\*\*] Term: **14 Years**

[57] **CLAIM**

[21] Appl. No.: **3,180**

The ornamental design for a butter or margarine dispenser, as shown and described.

[22] Filed: **Jan. 4, 1993**

**DESCRIPTION**

[52] U.S. Cl. .... **D7/670**

FIG. 1 is an exploded perspective view of a butter or margarine dispenser showing my new design;

[58] Field of Search ..... **D7/670; 222/47;**  
401/9-12, 82, 170, 175, 182

FIG. 2 is a top plan view thereof;

FIG. 3 is a bottom plan view;

FIG. 4 is a side elevation partly in section of the dispenser of FIG. 1;

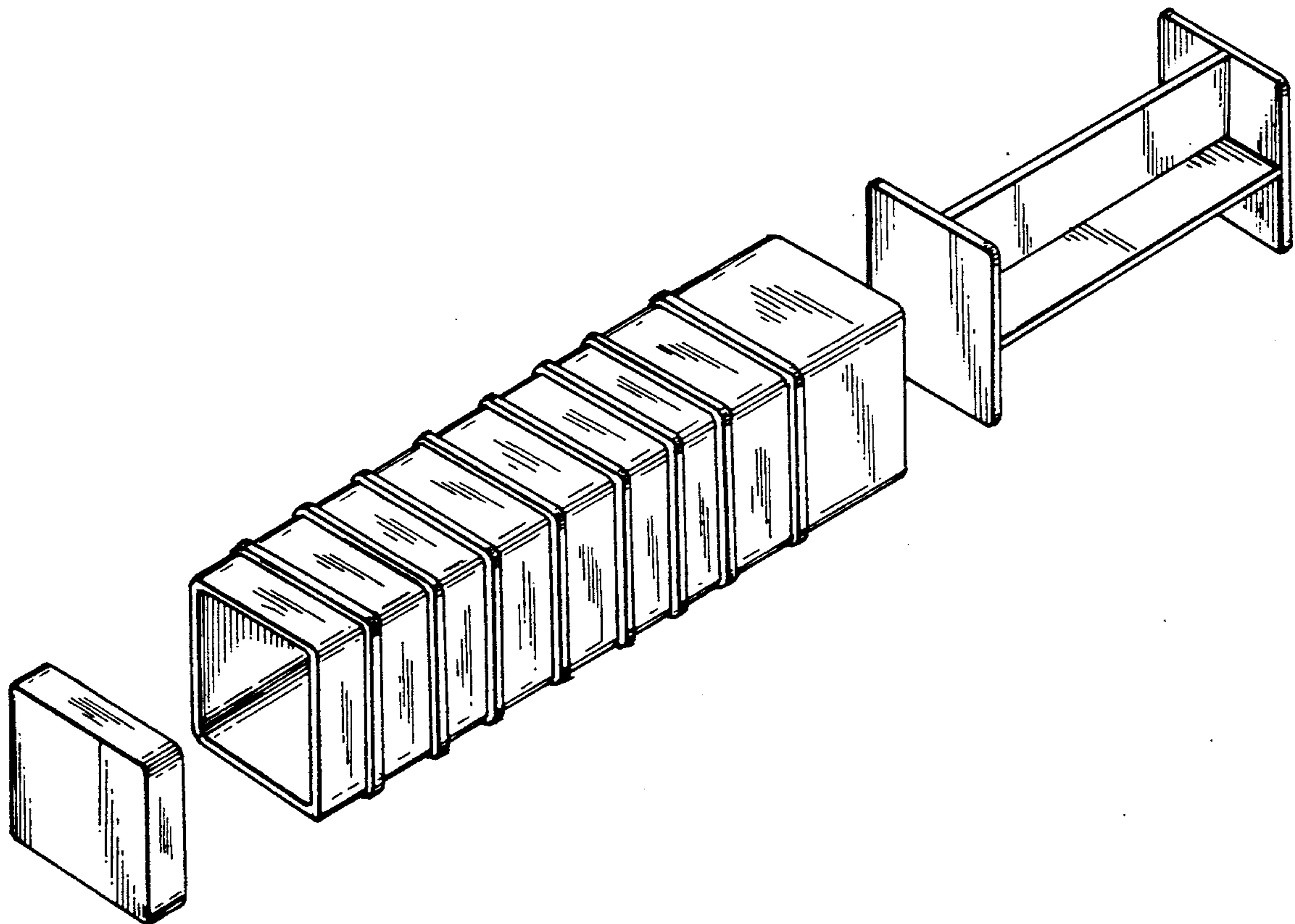
FIG. 5 is a section taken on plane 5—5 of FIG. 4;

FIG. 6 is a section taken on plane 6—6 of FIG. 4; and,  
FIG. 7 is a side elevation partly in section of the dispenser assembled with the cover and finger operated piston in place.

[56] **References Cited**

**U.S. PATENT DOCUMENTS**

D. 245,140	7/1977	Benson	.....	D7/670
2,977,407	2/1961	Taylor	.....	D7/670 X
2,980,247	4/1961	Giantomasso	.....	D7/670 X
3,162,884	12/1964	Bordwine et al.	.....	401/12



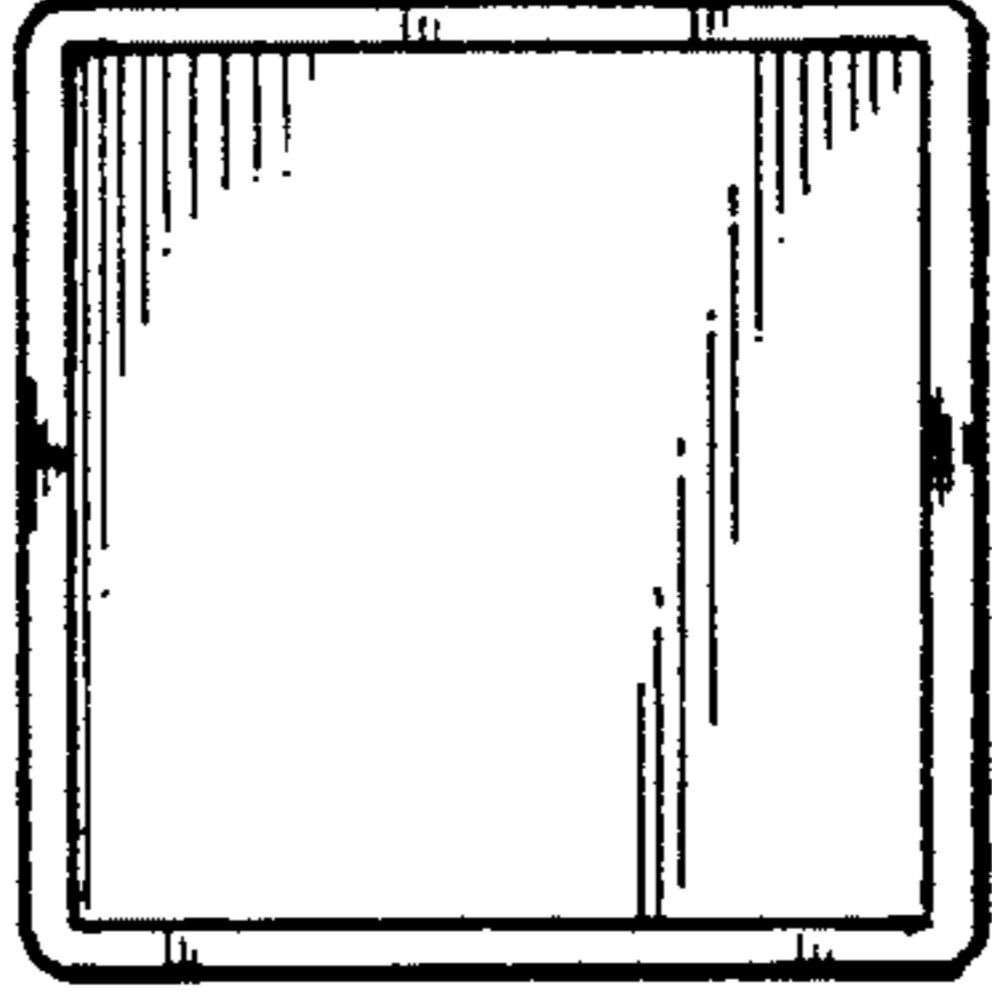
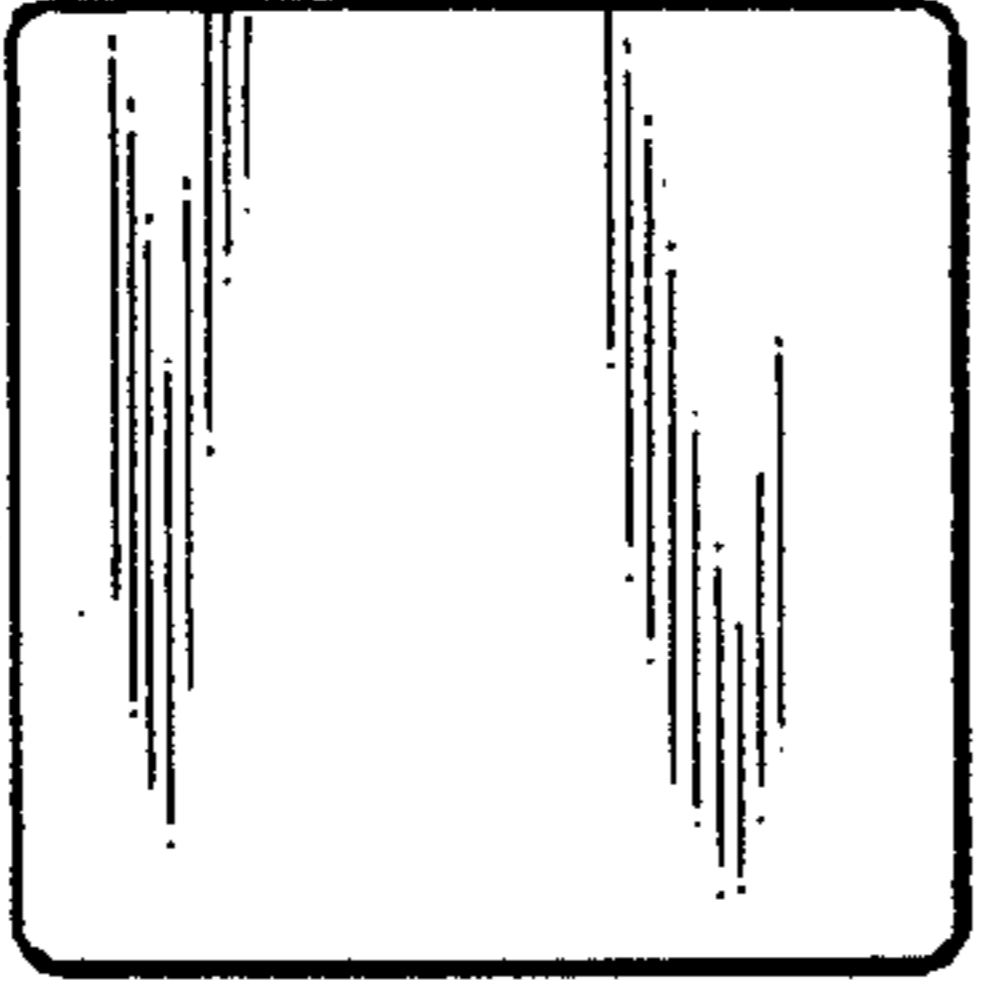
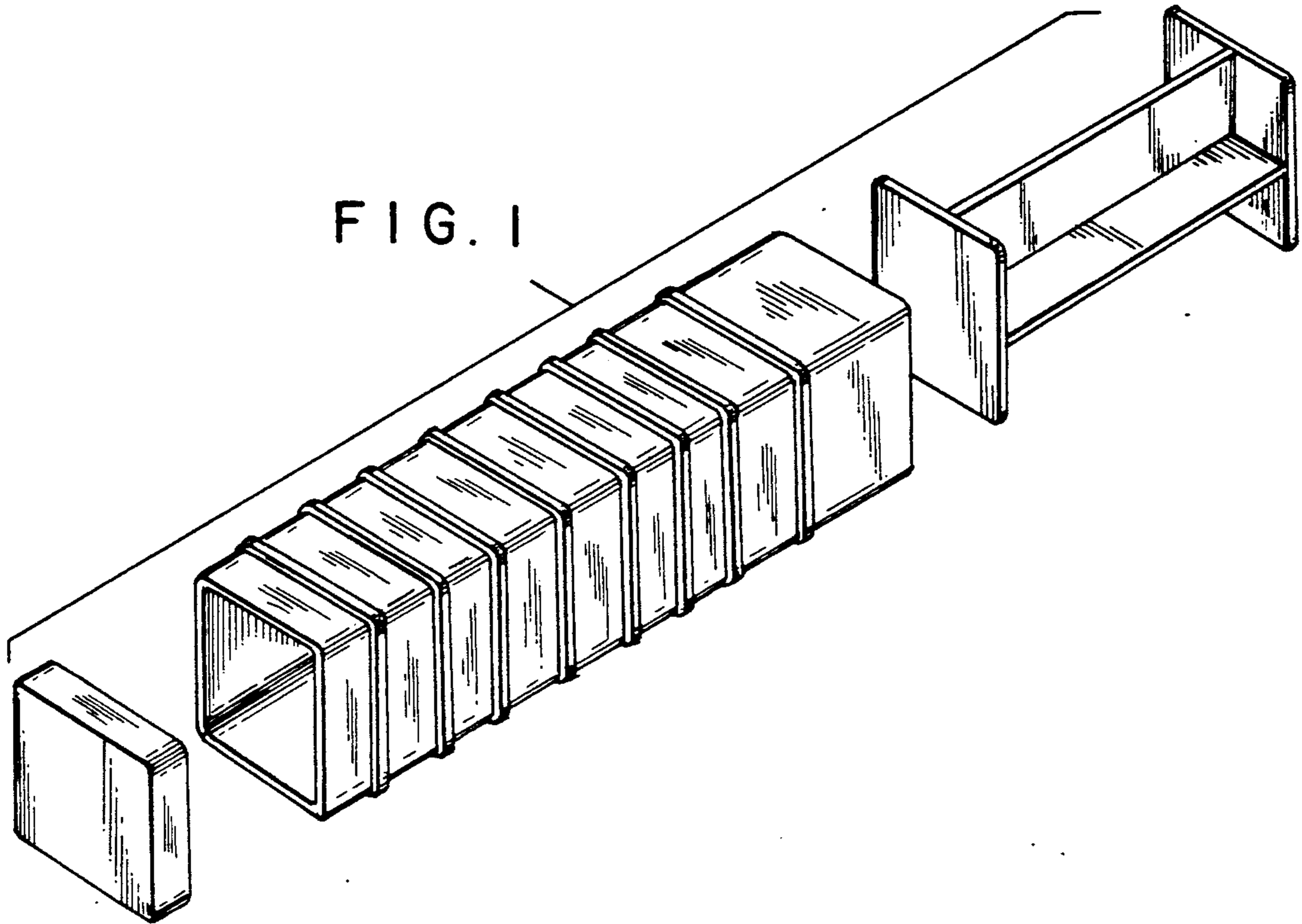


FIG. 4

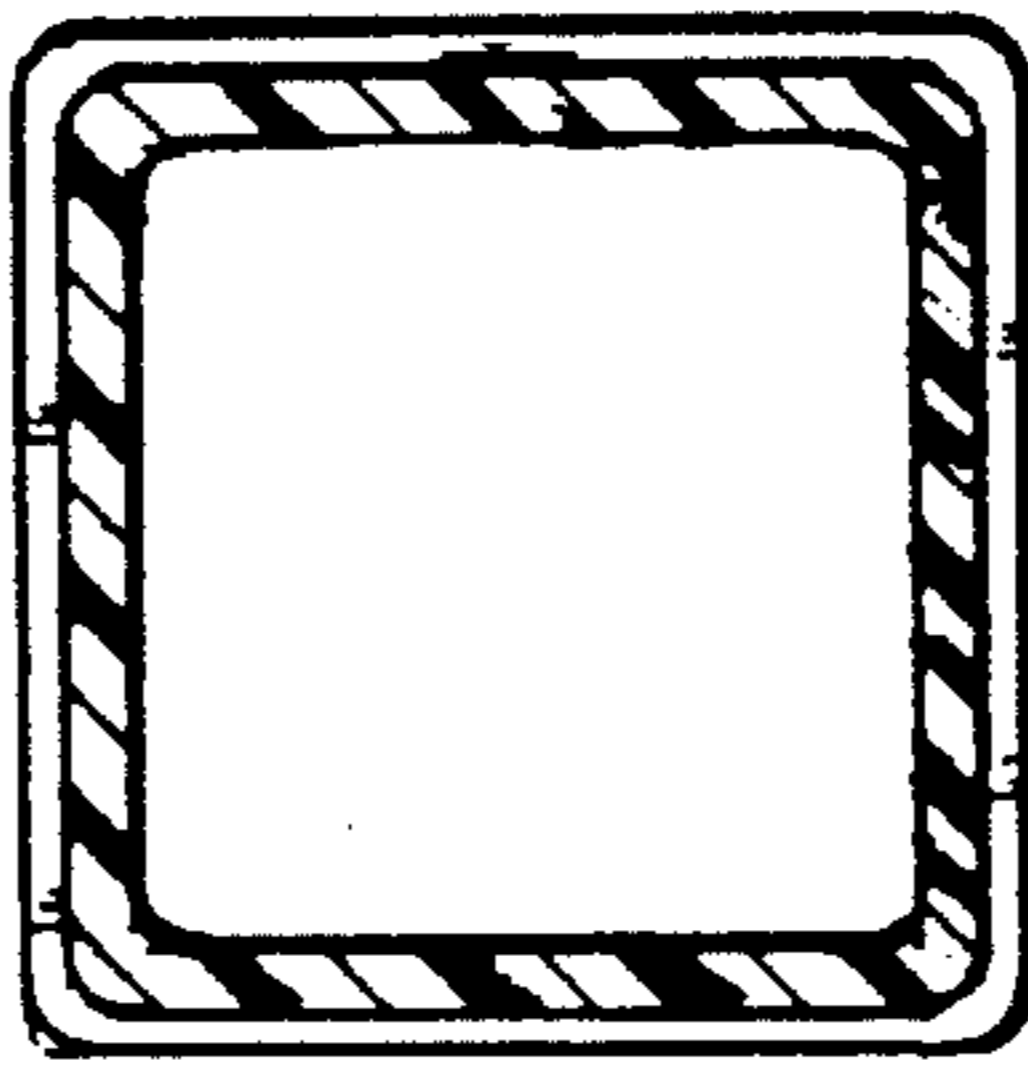
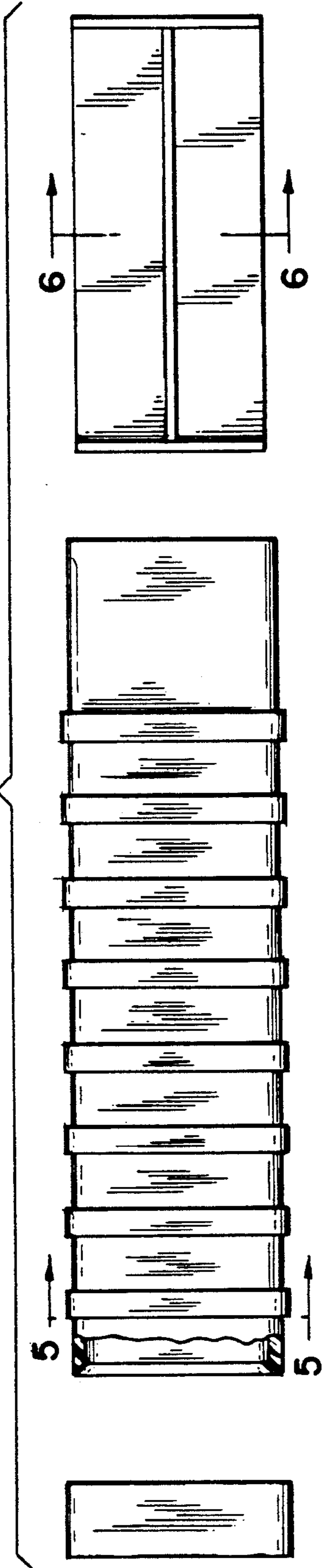


FIG. 5

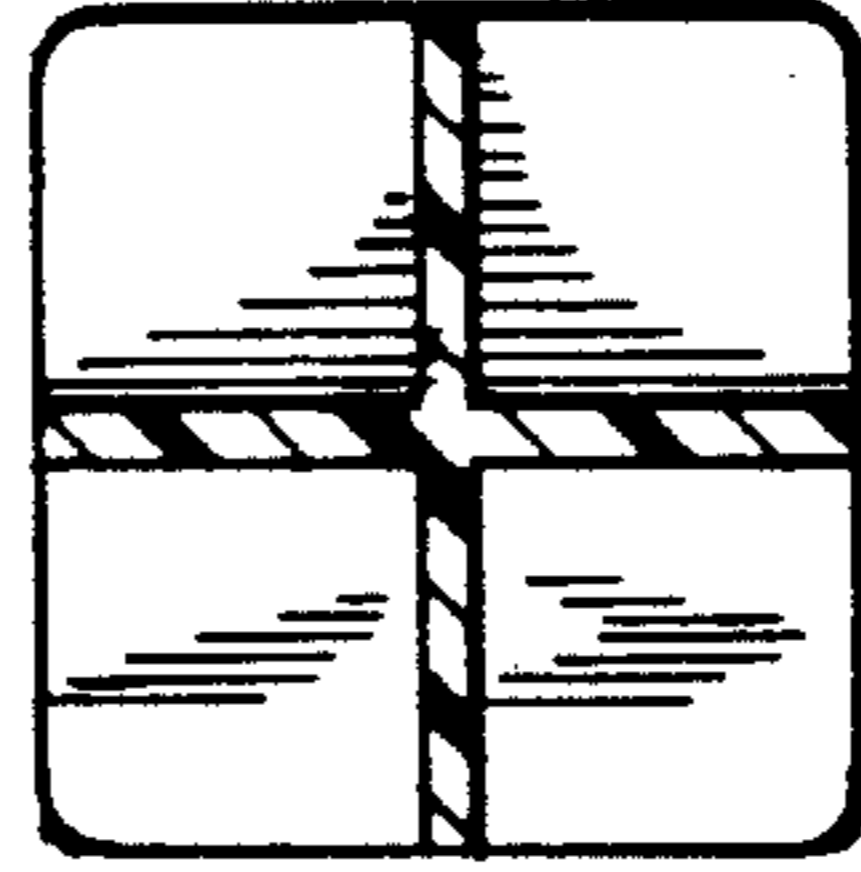


FIG. 6

FIG. 7

