



US00D347364S

United States Patent [19]

[11] Patent Number: **Des. 347,364**

van de Velde et al.

[45] Date of Patent: **** May 31, 1994**

[54] **BACK BAR FREEZER UNIT**

[75] Inventors: **David H. van de Velde**, 13200 Fiori La., Sebastopol, Calif. 95472;
Anthony Y. Guido, San Francisco, Calif.

[73] Assignee: **David H. van de Velde**, Sebastopol, Calif.

[**] Term: **14 Years**

[21] Appl. No.: **943,430**

[22] Filed: **Sep. 10, 1992**

129,094	7/1872	Briggs .	
139,915	6/1873	Piper .	
181,950	9/1876	Kromer .	
241,142	5/1881	Keech .	
2,453,667	11/1948	Lambert .	
3,933,275	1/1976	Metzner et al. .	
4,164,851	8/1979	Bryant	62/457.1 X
4,842,350	6/1989	Collings .	

Primary Examiner—Terry A. Wallace
Attorney, Agent, or Firm—Townsend and Townsend
Kohourie and Crew

Related U.S. Application Data

[63] Continuation-in-part of Ser. No. 923,153, Jul. 29, 1992,
and a continuation-in-part of Ser. No. 942,668, Sep. 9,
1992.

[52] U.S. Cl. **D7/608**

[58] Field of Search **D7/603-608;**
62/457.4, 457.8

[57] **CLAIM**

The ornamental design for a back bar freezer unit, as shown and described.

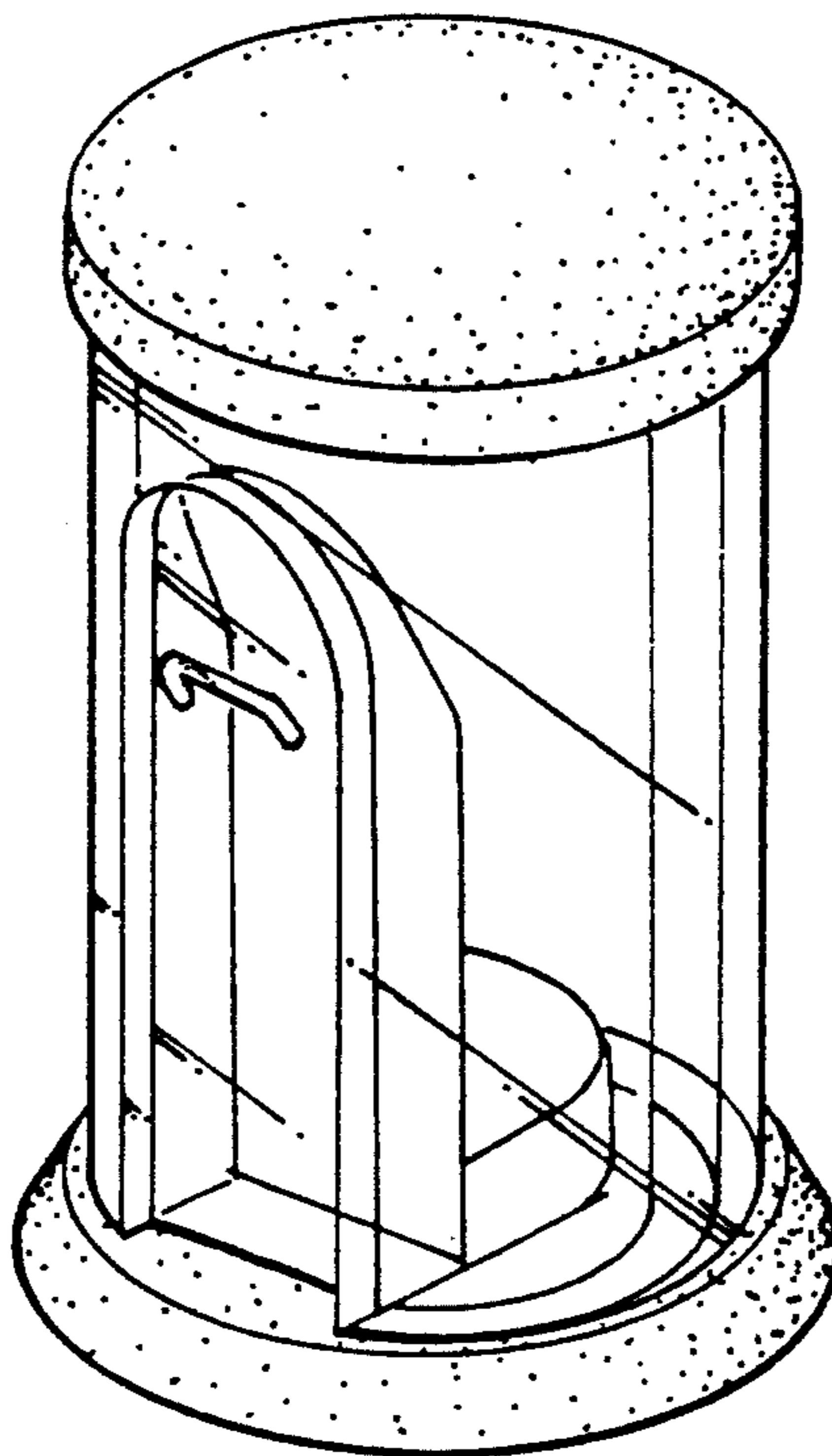
DESCRIPTION

FIG. 1 is a perspective view of a back bar freezer unit showing our new design;
FIG. 2 is a top plan view thereof;
FIG. 3 is a front elevational view thereof;
FIG. 4 is a right side elevational view, the left side elevational view being a mirror image;
FIG. 5 is a rear elevational view thereof;
FIG. 6 is a bottom plan view thereof; and,
FIG. 7 is a perspective view thereof showing the door opened for environmental purposes.

[56] **References Cited**

U.S. PATENT DOCUMENTS

- 103,955 6/1870 Zeitz .
- 126,771 5/1872 Avery et al. .



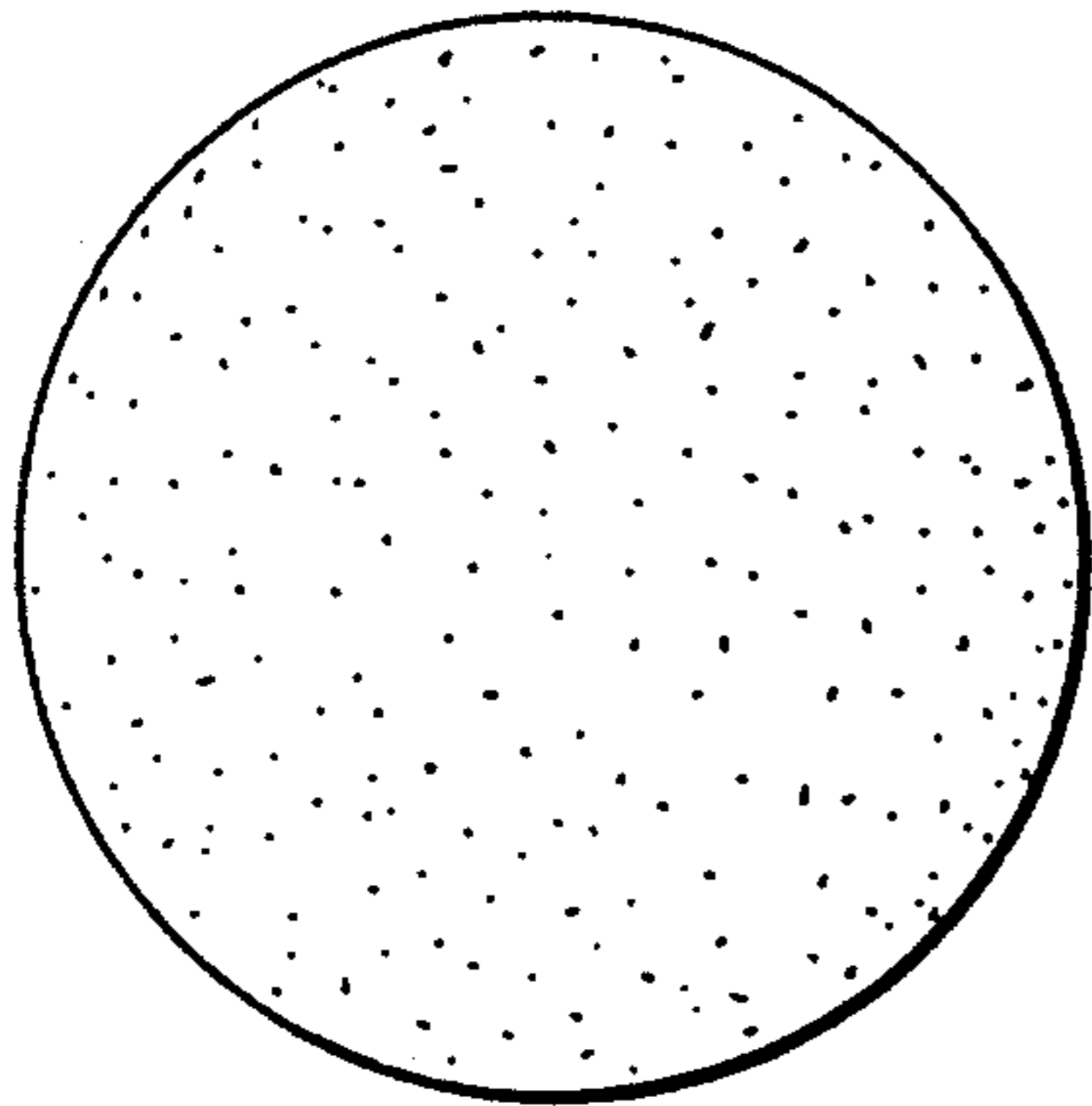


FIG. 6.

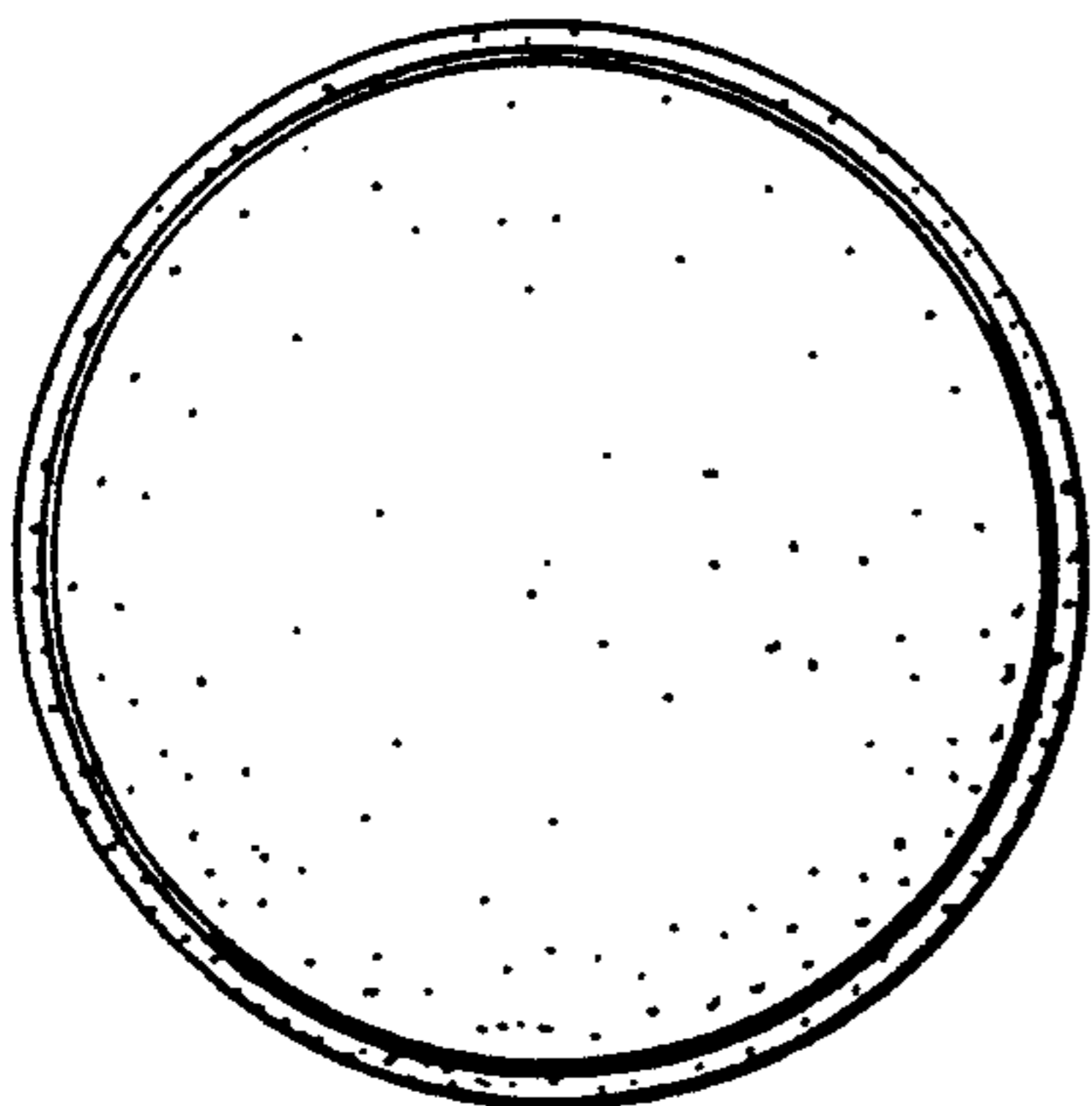


FIG. 2.

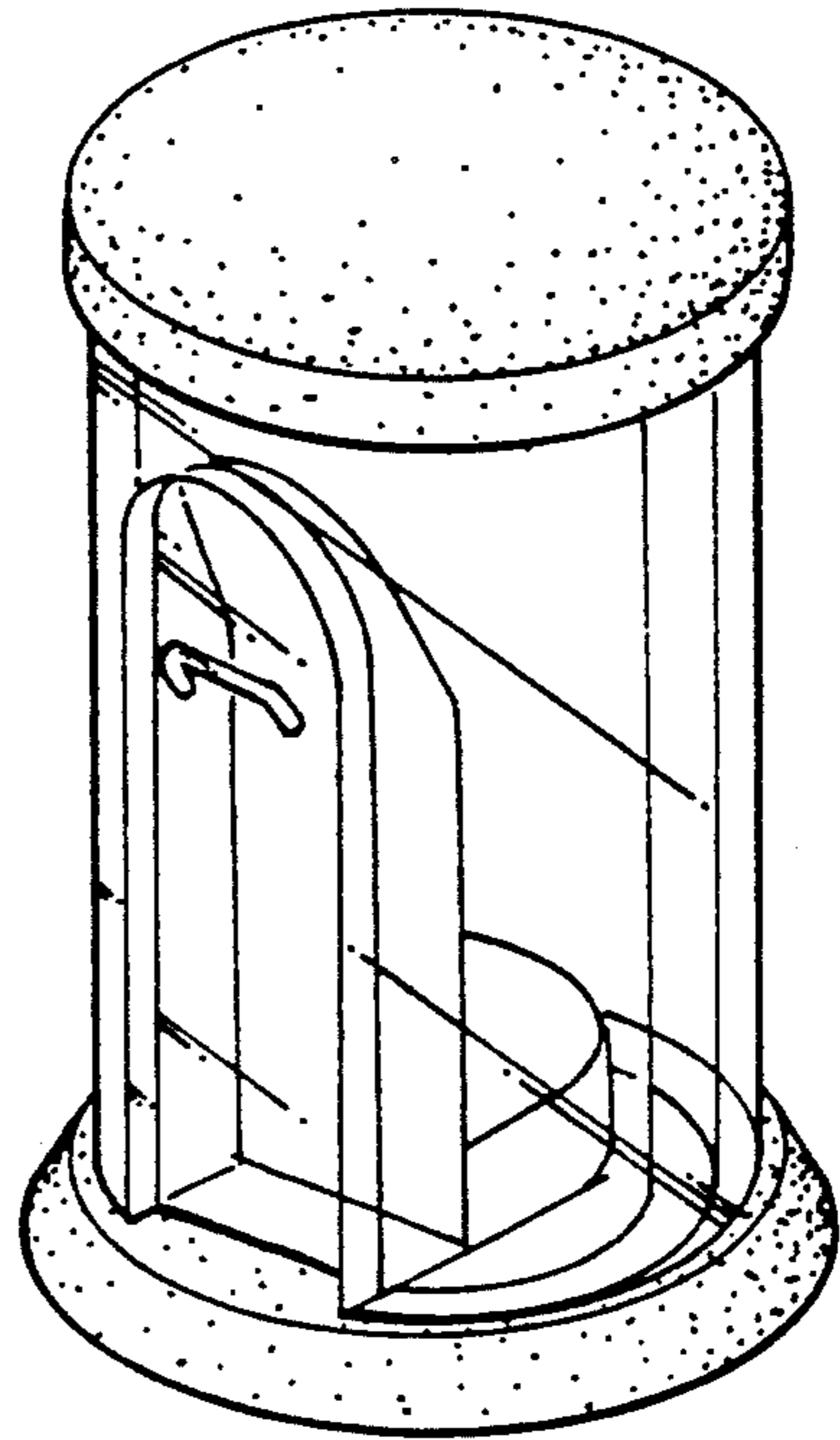


FIG. 1.

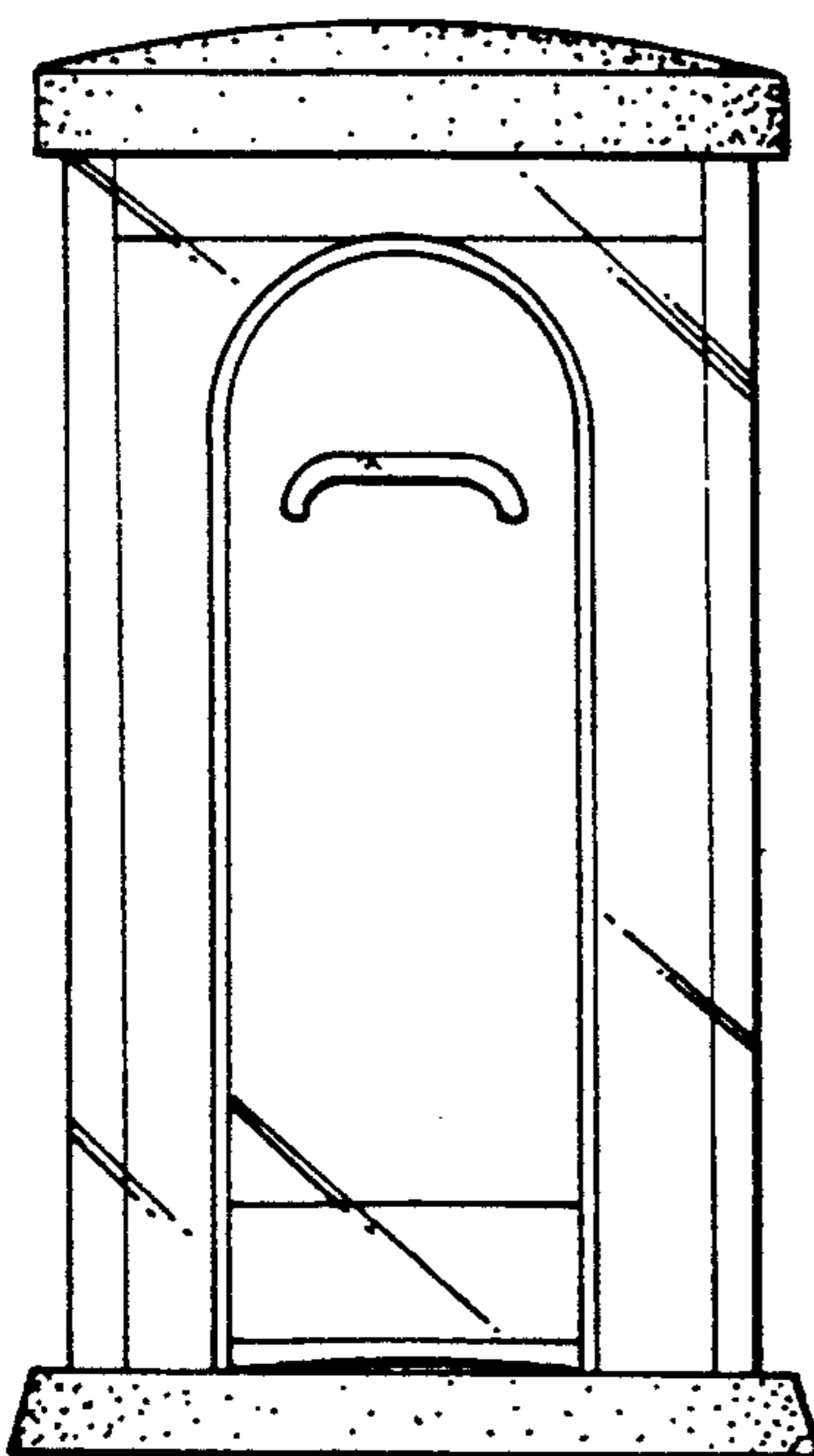


FIG. 3.

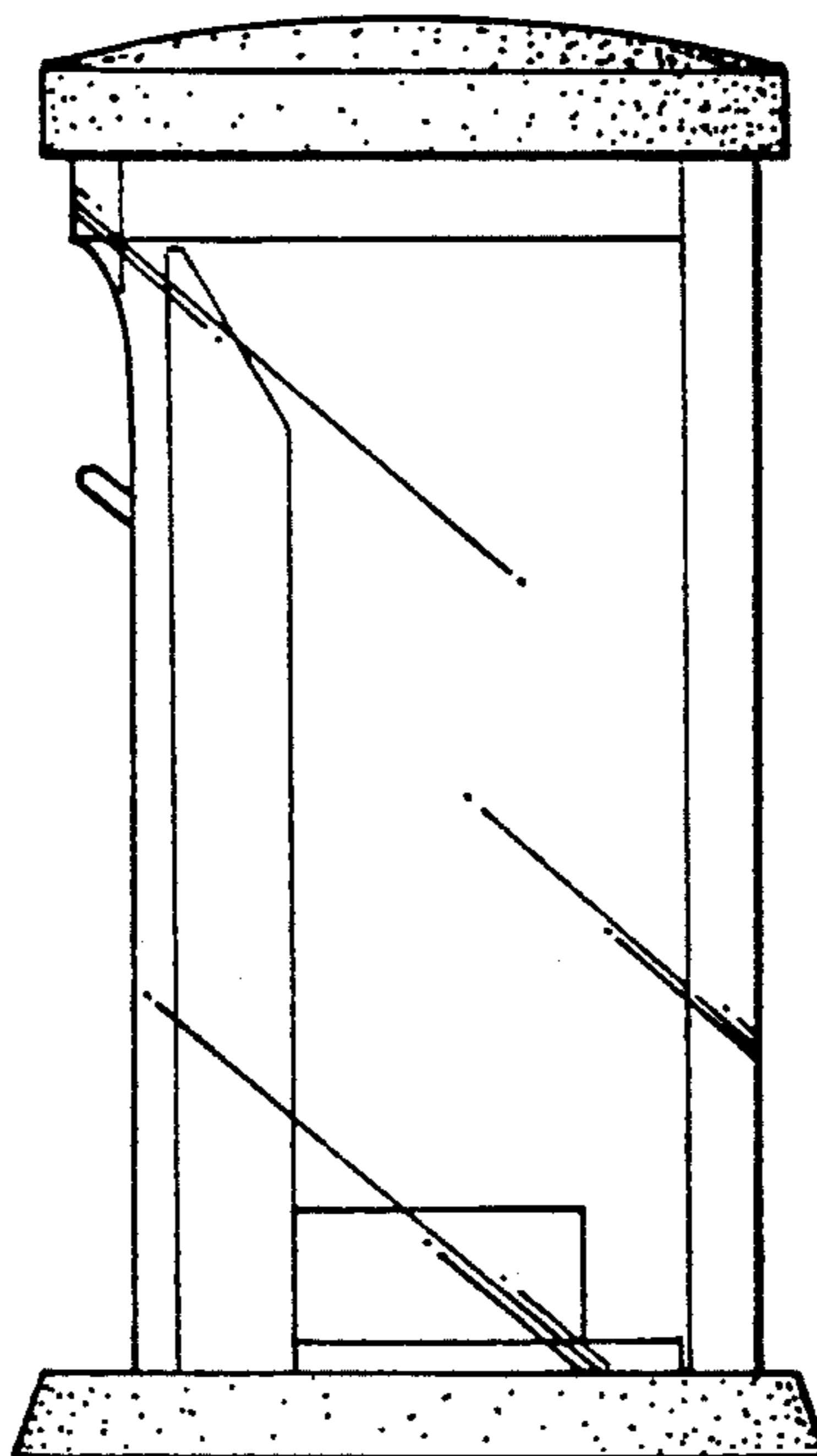


FIG. 4.

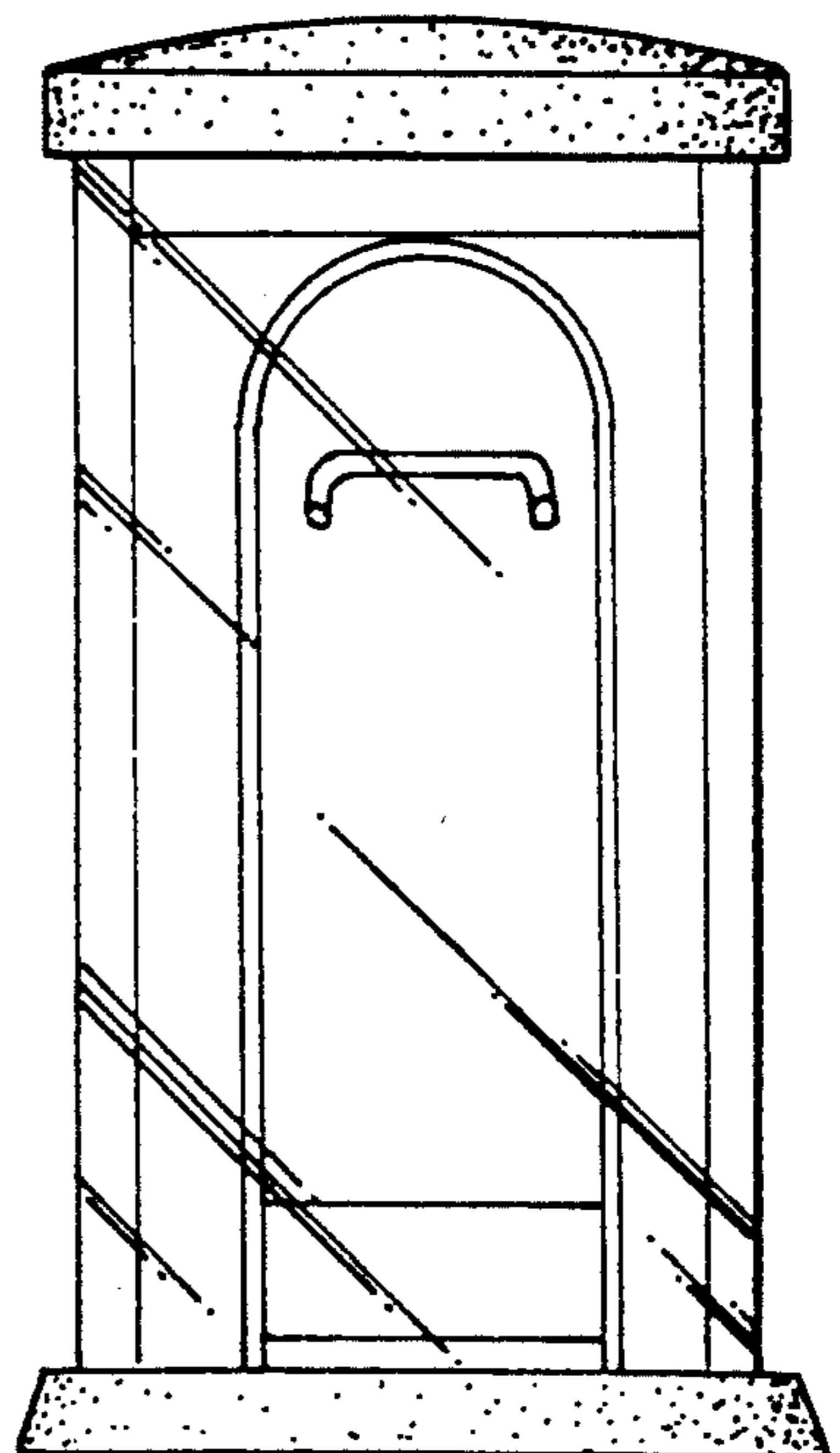


FIG. 5.

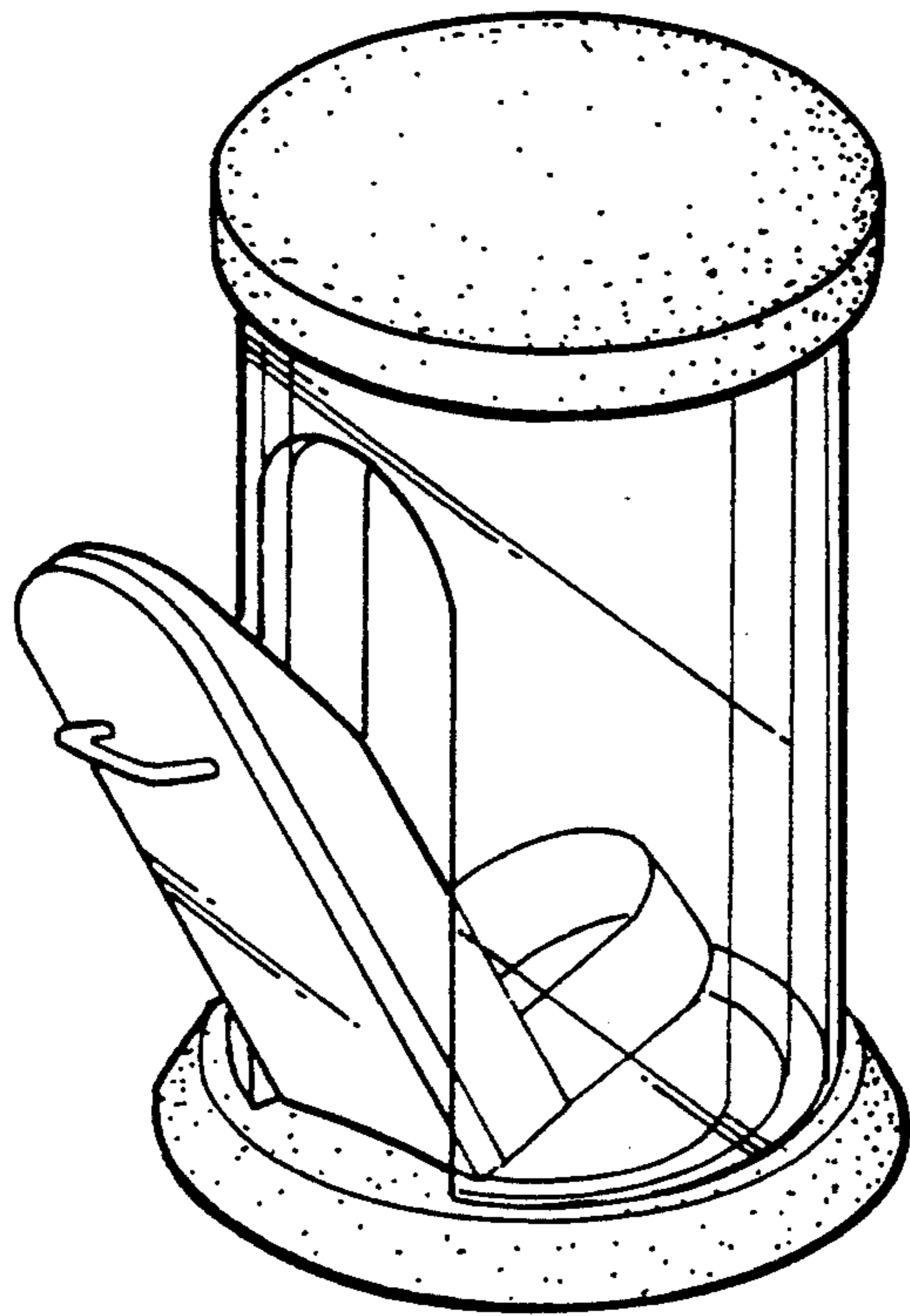


FIG. 7.