



US00D347358S

United States Patent [19]

[11] Patent Number: **Des. 347,358**

Brady

[45] Date of Patent: **** May 31, 1994**

[54] **FOOD PROCESSOR ATTACHMENT HOUSING**

[75] Inventor: **Martin Brady, Richmond, Va.**

[73] Assignee: **Hamilton Beach/Proctor-Silex, Inc., Glen Allen, Va.**

[**] Term: **14 Years**

[21] Appl. No.: **871,674**

[22] Filed: **Apr. 21, 1992**

[52] U.S. Cl. **D7/412; D7/387**

[58] Field of Search **D7/376-378, D7/383, 384, 412; 241/37.5, 92, 93, 101.1, 199.12, 282.1, 282.2**

Rowenta food processors—Rowenta International (catalog) 1986.

Braun food processors—Braun 1990 Household Products, (catalog) 1990.

Group of 4 photographs showing the design of a juice attachment for a blender which was manufactured and sold by applicant's assignee.

Primary Examiner—Alan P. Douglas

Assistant Examiner—Caron D. Veynar

Attorney, Agent, or Firm—Roger S. Dybvig

[57] **CLAIM**

The ornamental design for a food processor attachment housing, as shown and described.

DESCRIPTION

FIG. 1 is a perspective view as seen from the top, front and left side of a food processor attachment housing showing my new design;

FIG. 2 is a front elevational view thereof;

FIG. 3 is a rear elevational view thereof;

FIG. 4 is a left side elevational view thereof;

FIG. 5 is a right side elevational view thereof;

FIG. 6 is a top plan view thereof; and,

FIG. 7 is a bottom plan view thereof.

The broken lines in FIGS. 2, 3, 4, 5, and 7 are used for illustrative purposes only and form no part of the claimed design.

The broken line showing of a collar in FIGS. 1 through 5 and 7 is for illustrative purposes only and forms no part of the claimed design.

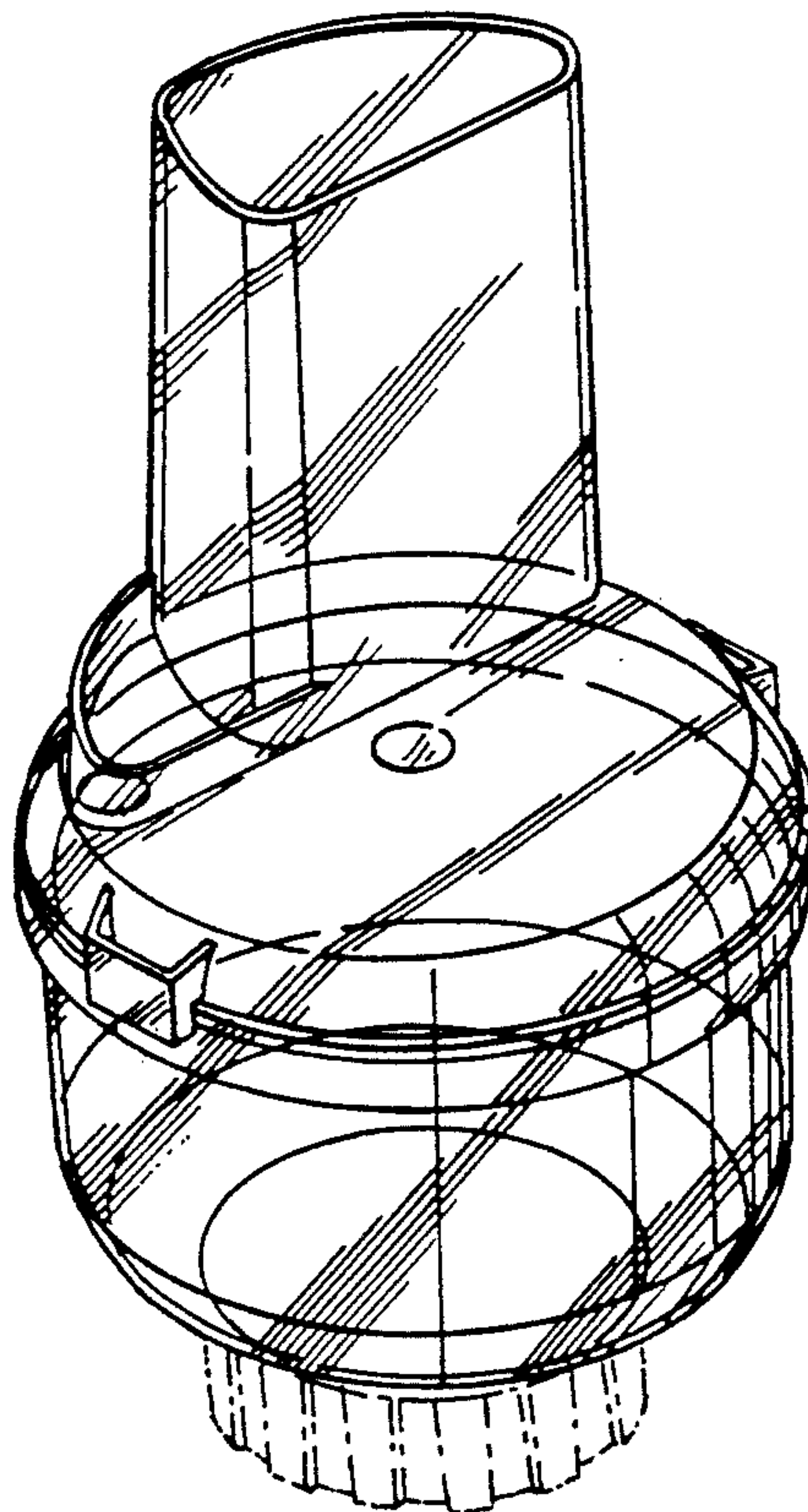
[56] **References Cited**

U.S. PATENT DOCUMENTS

D. 254,702	4/1980	Tsuii et al.	D7/665
D. 256,318	8/1980	Levin	D7/384
D. 290,676	7/1987	Stutzer et al.	D7/384
D. 293,873	1/1988	Maass	D7/384
D. 301,824	6/1989	Machuron	D7/384
D. 302,228	7/1989	Barrault	D7/378 X
D. 306,680	3/1990	Madl	D7/384
D. 310,153	8/1990	Kaiser	D7/384
D. 327,806	7/1992	Fleche	D7/384
3,892,365	7/1975	Verdun	241/92

OTHER PUBLICATIONS

Best Catalog; 1988/89; p. 157; #1, 2, 7 & 9.



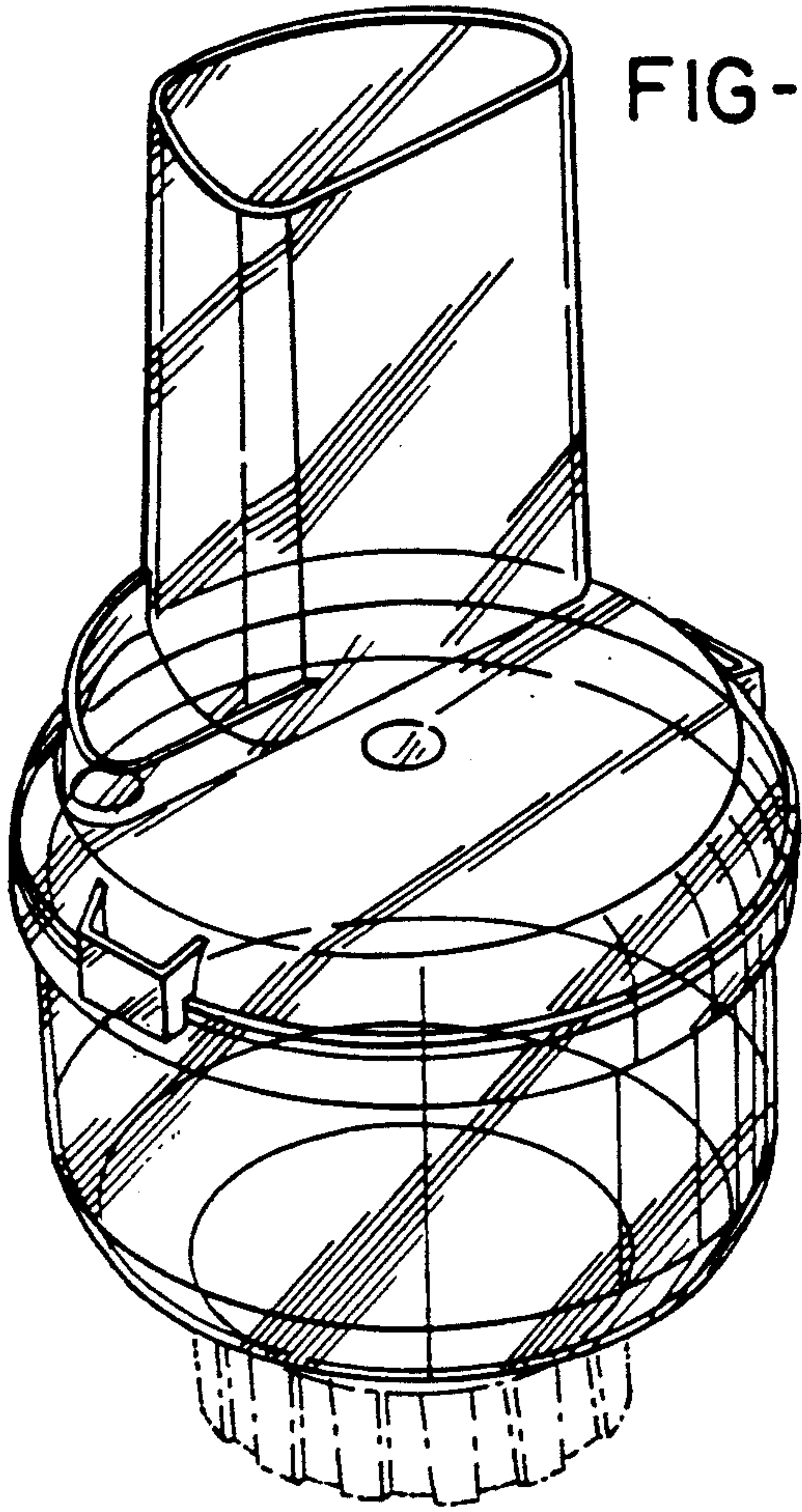


FIG-1

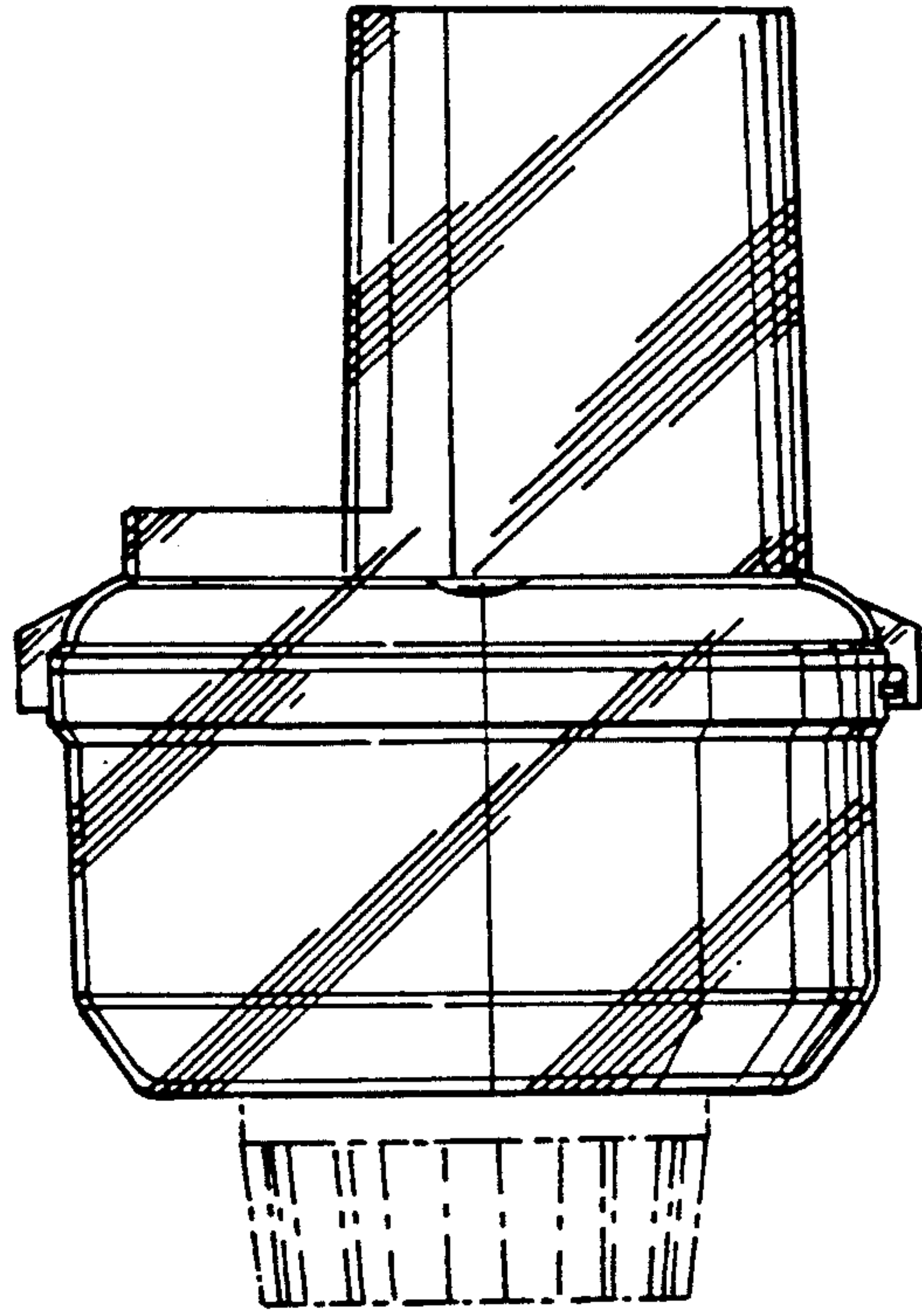


FIG-2

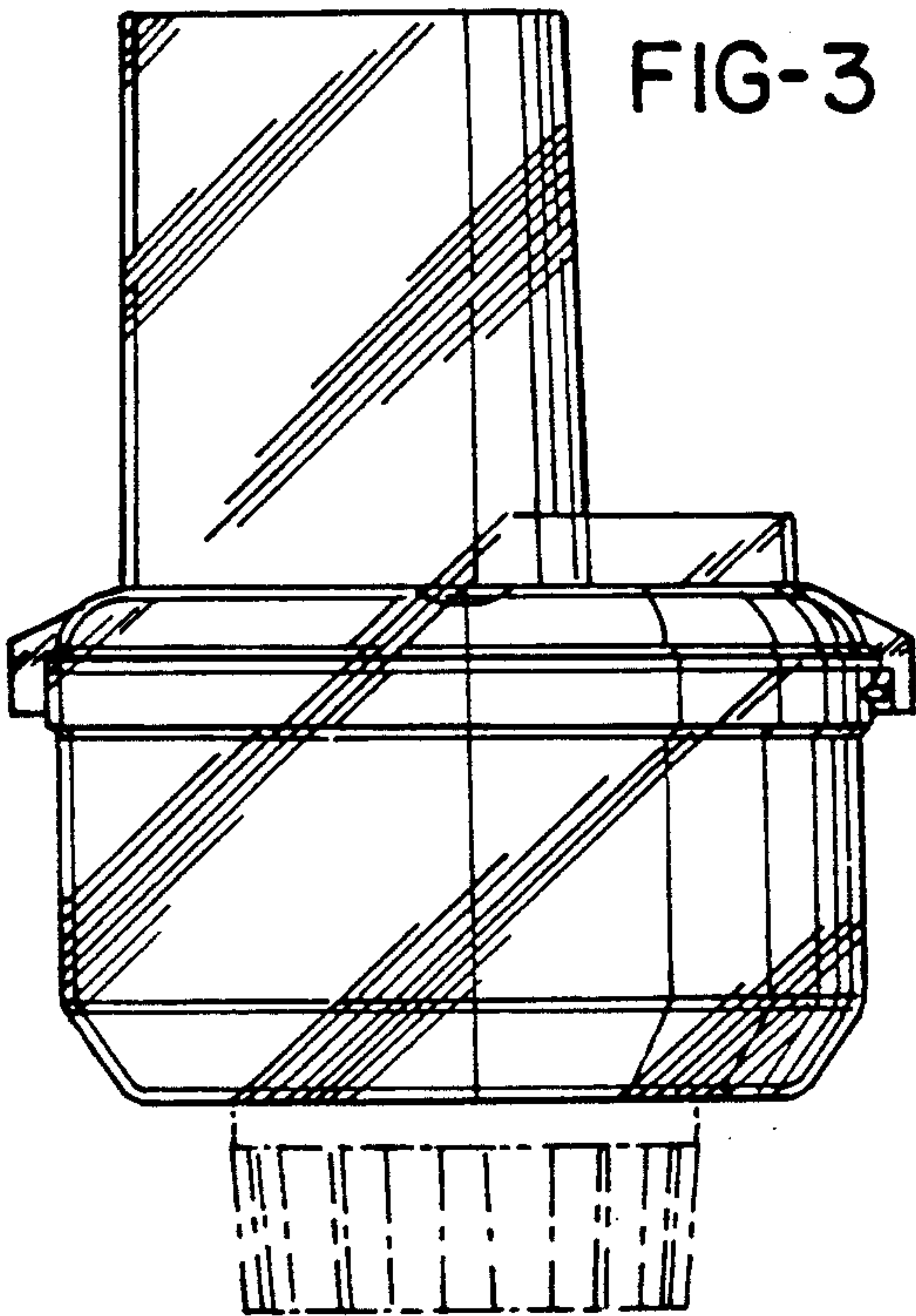


FIG-3

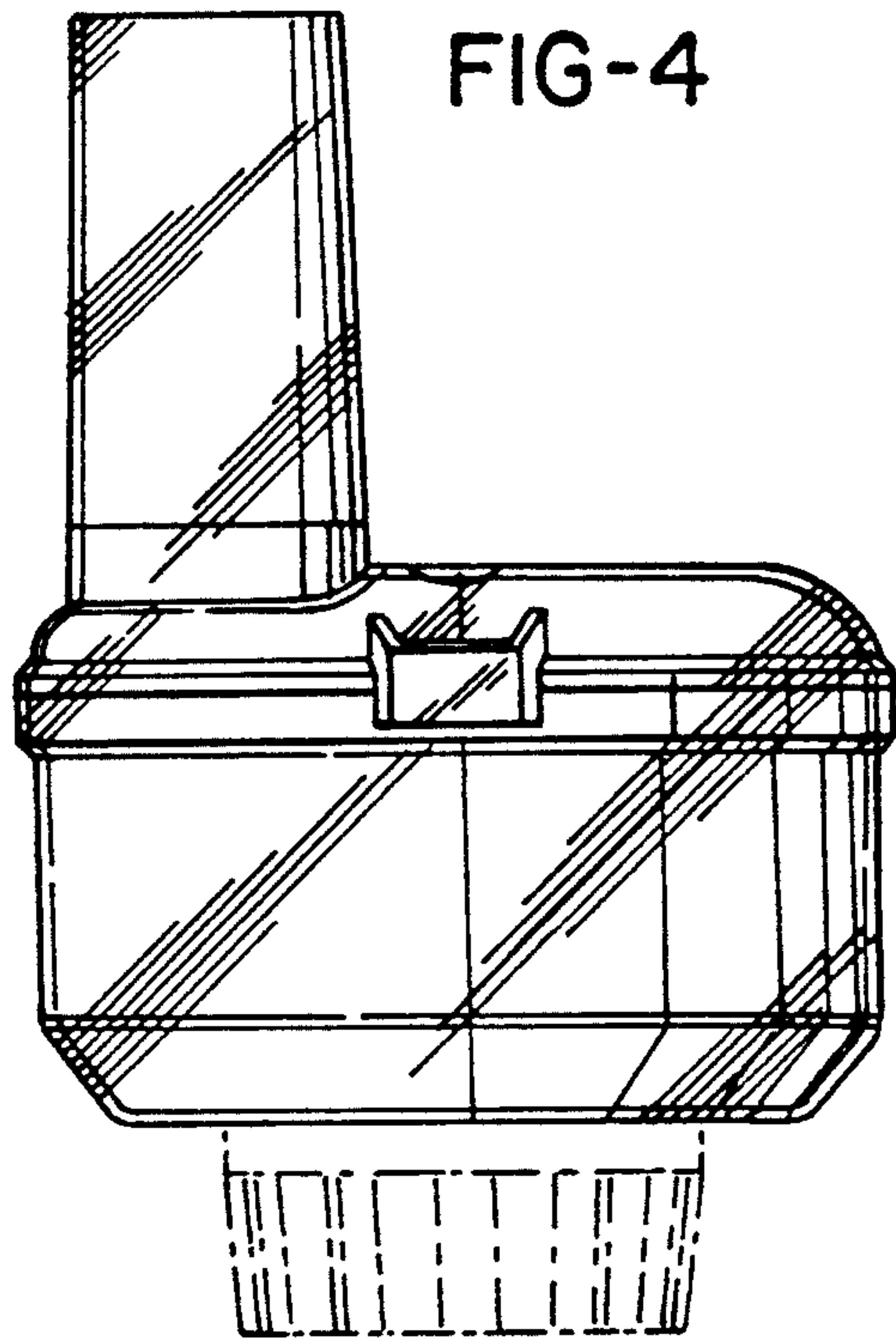


FIG-4

FIG-5

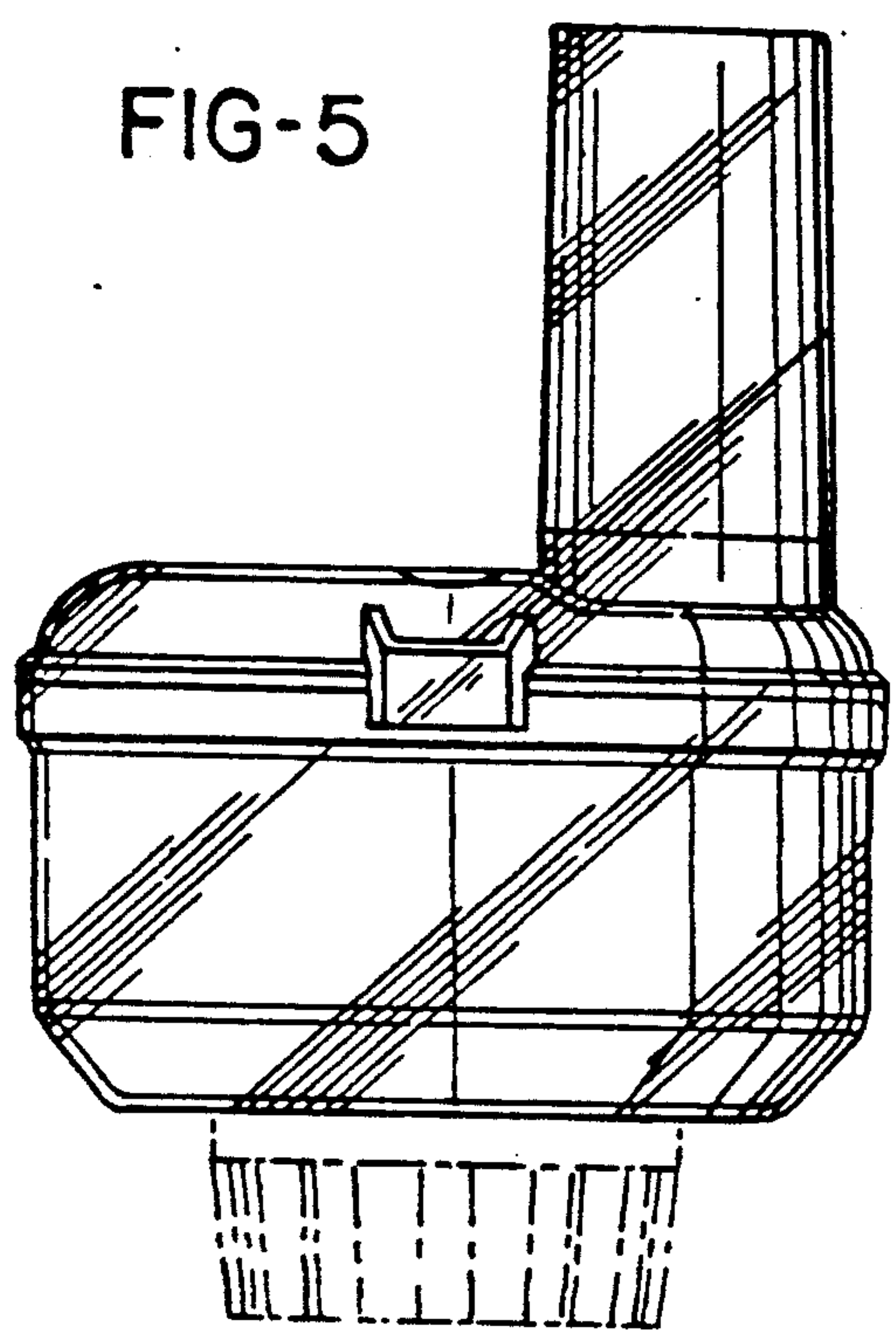


FIG-6

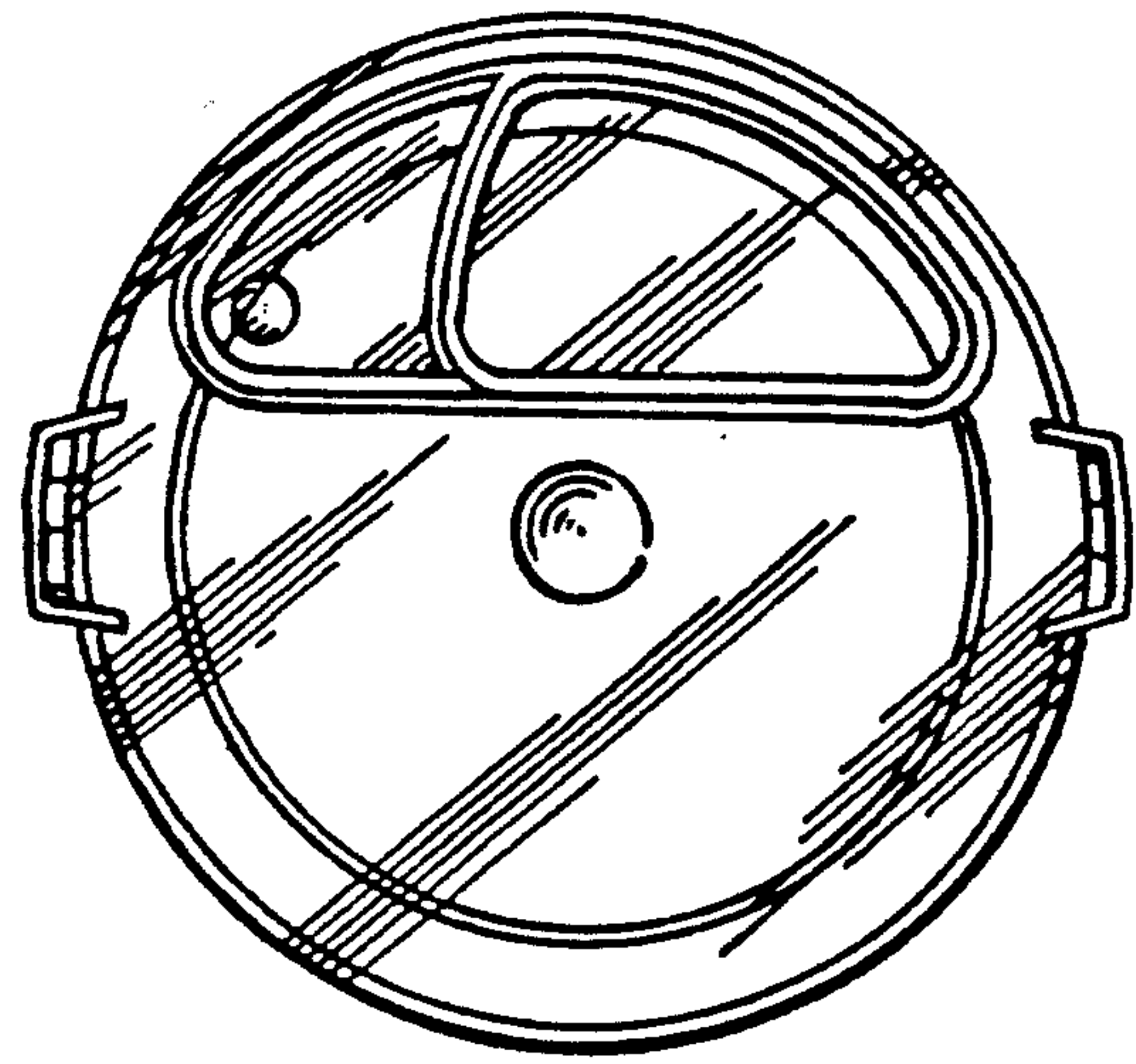


FIG-7

