



US00D347357S

United States Patent [19]

[11] Patent Number: **Des. 347,357**

Gildersleeve

[45] Date of Patent: **** May 31, 1994**

[54] **FOOD PROCESSOR**

4,199,268 4/1980 Parzych D7/384 X

[75] Inventor: **Paul Gildersleeve, Ridgefield, Conn.**

Primary Examiner—Alan P. Douglas

[73] Assignee: **Black & Decker Inc., Newark, Del.**

Assistant Examiner—Caron D. Veynar

[**] Term: **14 Years**

Attorney, Agent, or Firm—Barry E. Deutsch

[21] Appl. No.: **12,906**

[57] **CLAIM**

[22] Filed: **Aug. 18, 1993**

The ornamental design for a food processor, as shown and described.

[52] U.S. Cl. **D7/384; D7/386**

DESCRIPTION

[58] Field of Search **D7/384, 386, 412, 413, D7/415; 241/37.5, 101.1, 199.12, 282.1, 282.2, 92, 93; 366/129, 130, 197, 199, 204, 205, 314**

FIG. 1 is a perspective view showing the top, front, and right side of a food processor showing my new design; FIG. 2 is a front elevational view thereof; FIG. 3 is a right side elevational view thereof; FIG. 4 is a rear elevational view thereof; FIG. 5 is a top plan view thereof; FIG. 6 is a left side elevational view thereof; and, FIG. 7 is a bottom plan view thereof.

[56] **References Cited**

U.S. PATENT DOCUMENTS

- D. 265,164 6/1982 Ernest et al. D7/386
- D. 338,803 8/1993 Littmann D7/384

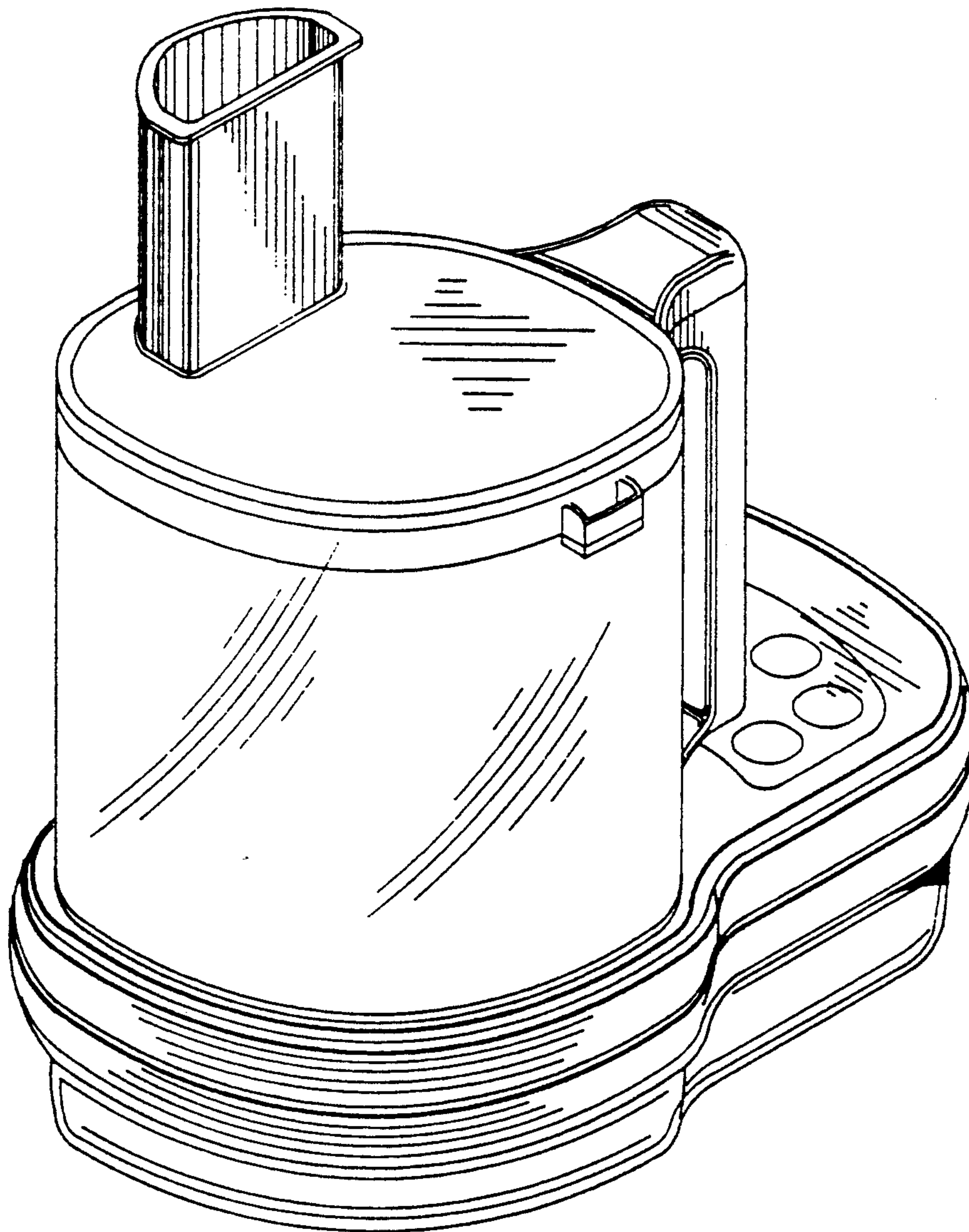


FIG. 1

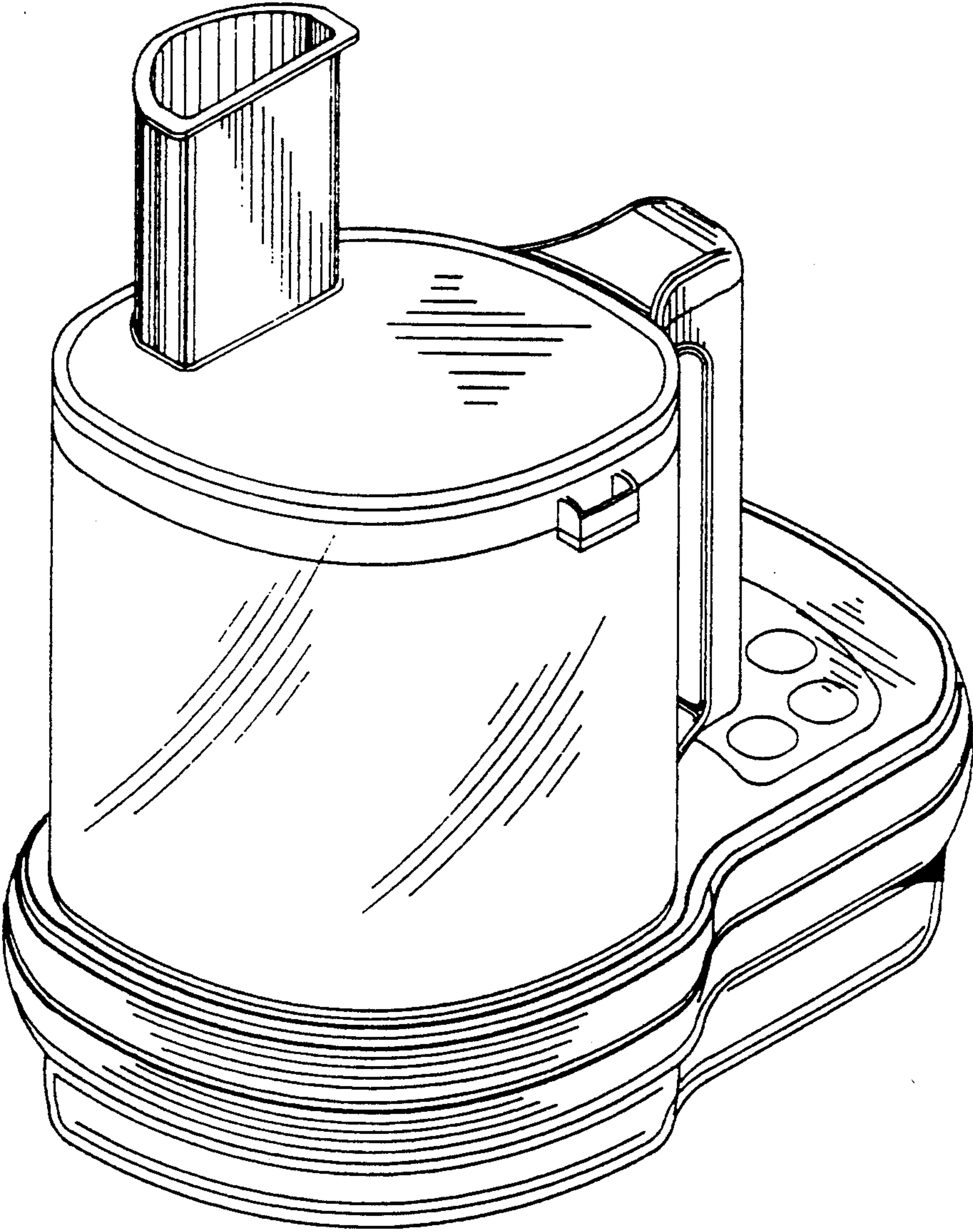


FIG. 2

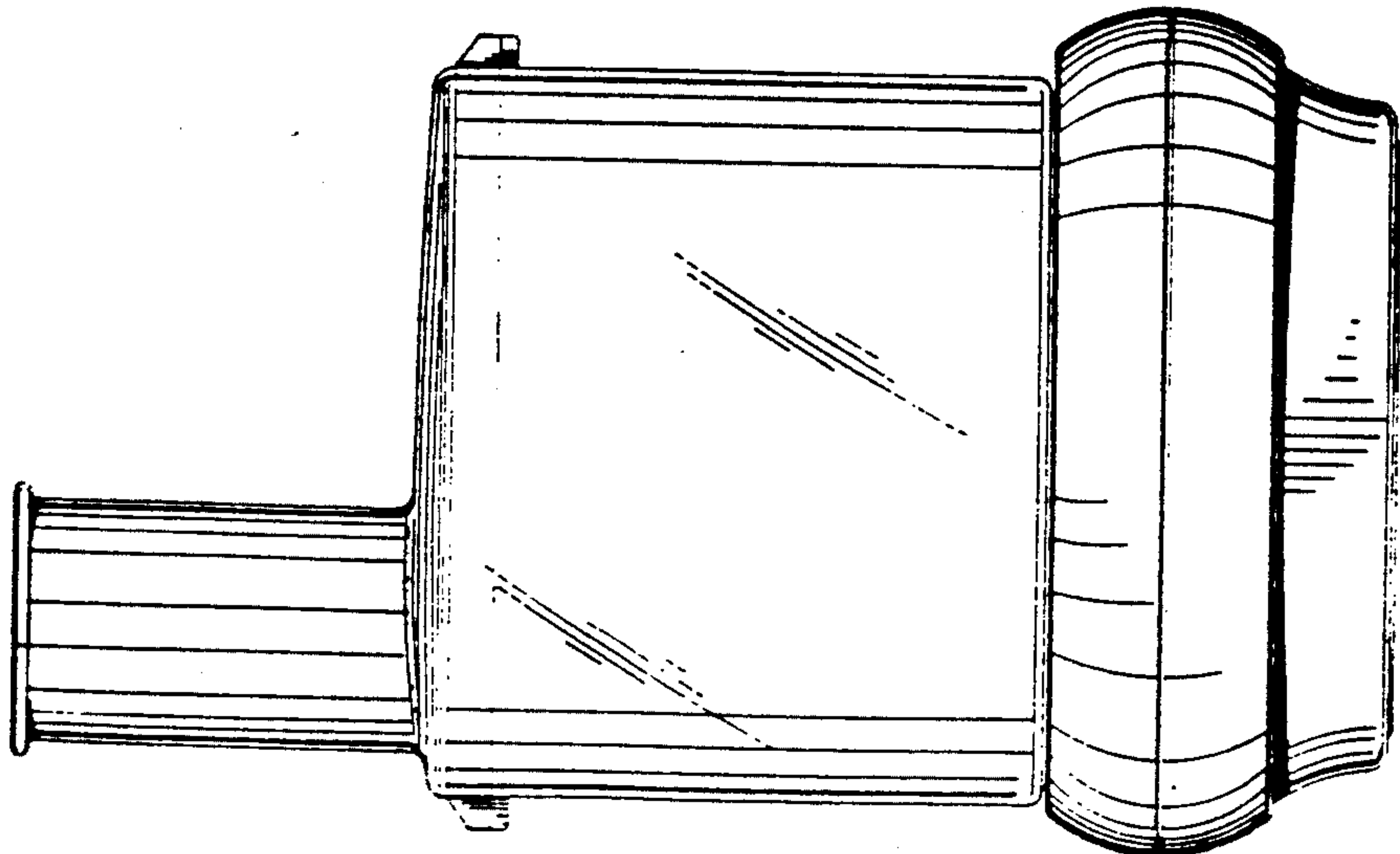


FIG. 3

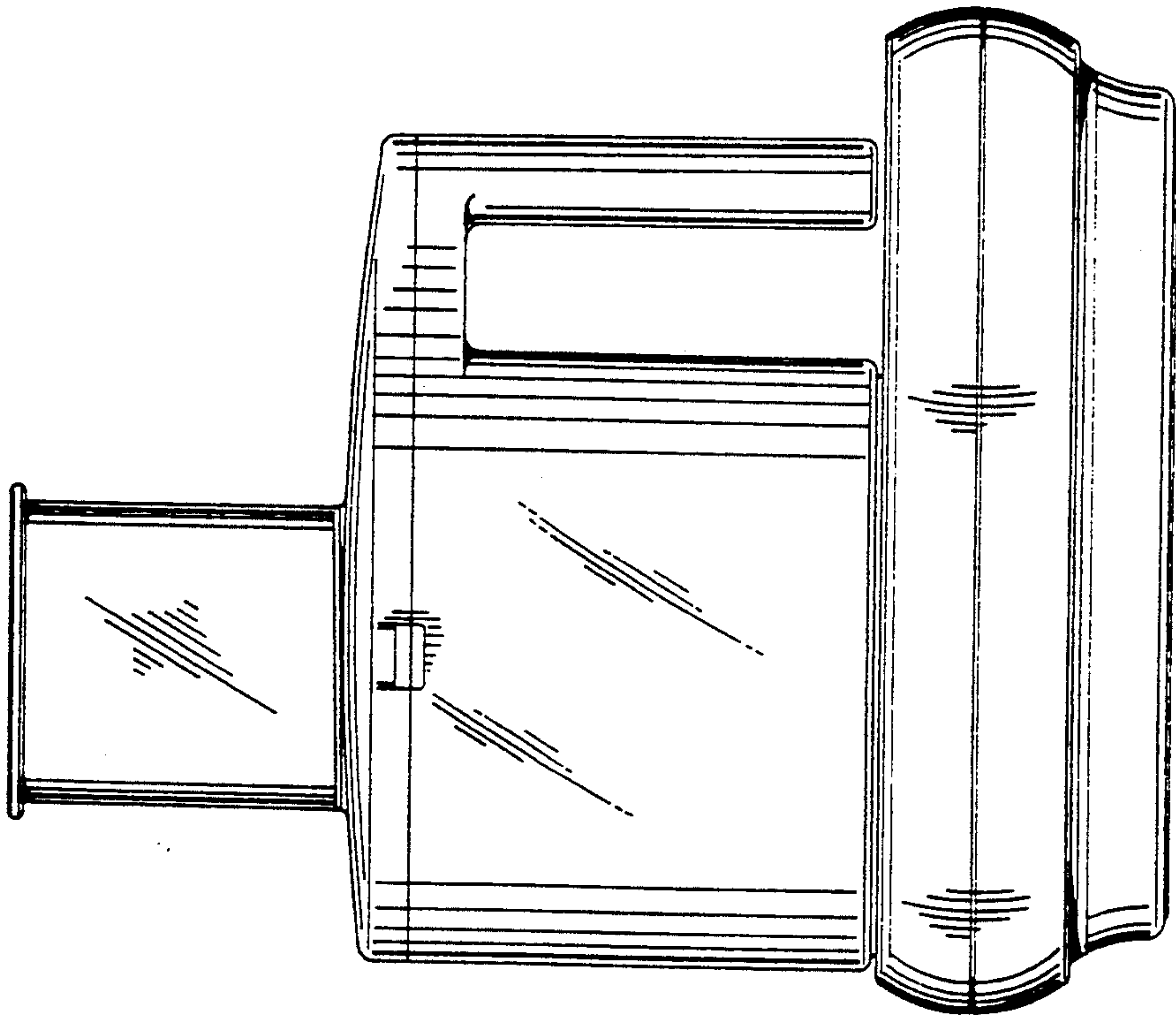


FIG. 4

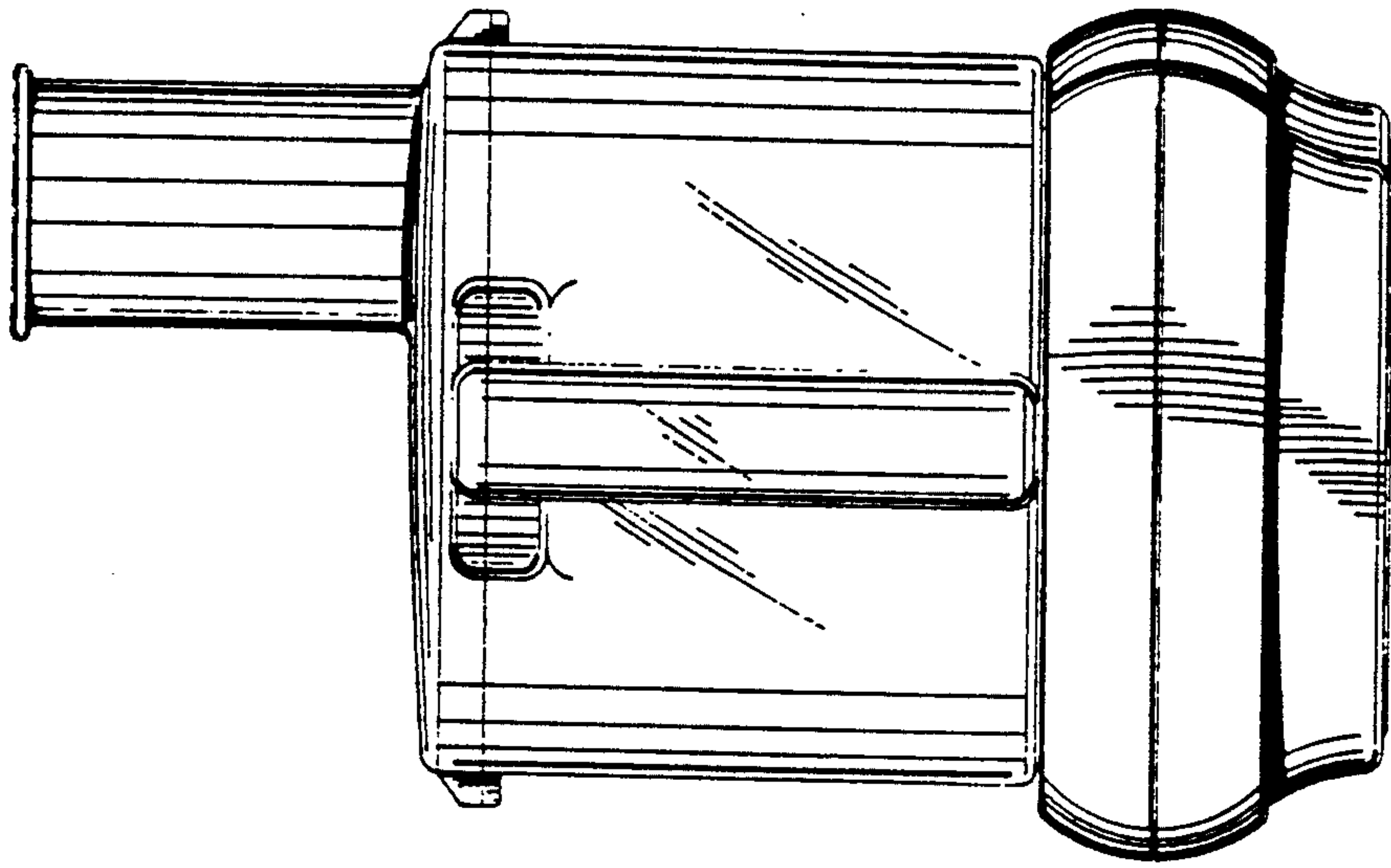


FIG. 5

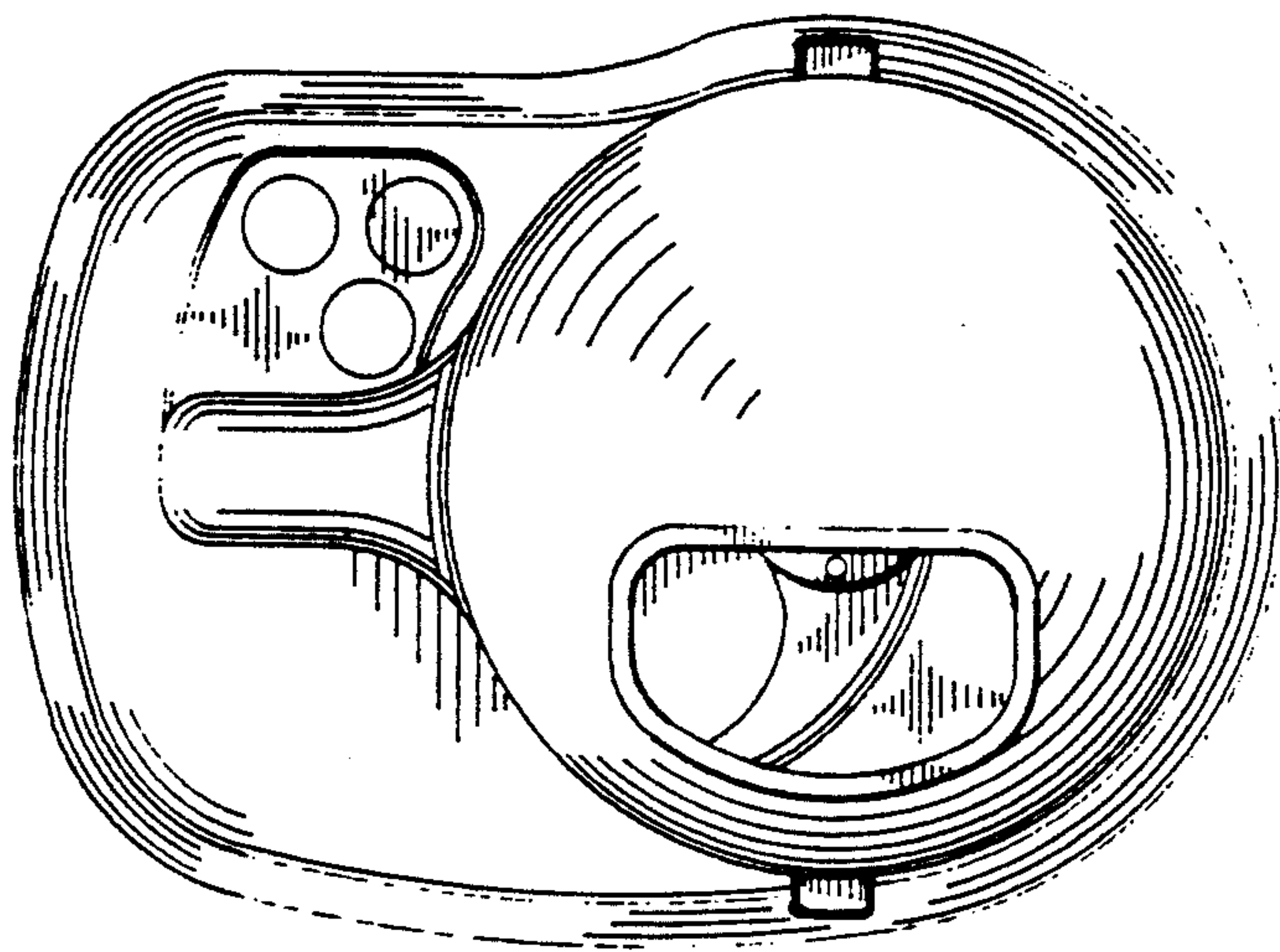


FIG. 6

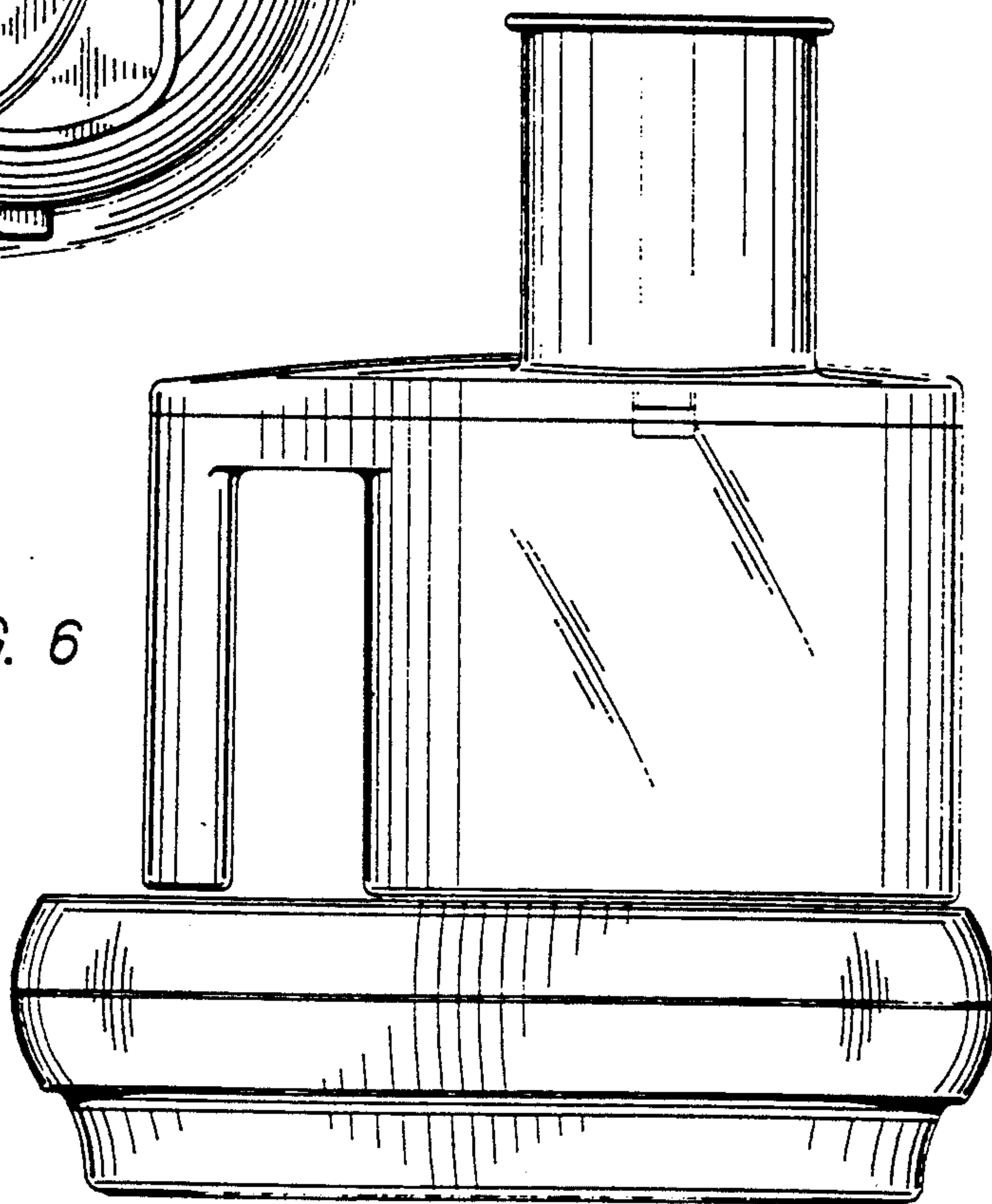


FIG. 7

