



US00D347356S

United States Patent [19]

[11] Patent Number: Des. 347,356

Yim

[45] Date of Patent: ** May 31, 1994

[54] VEGETABLE AND RICE COOKER

[75] Inventor: Yung S. Yim, Tai Wai, Hong Kong

[73] Assignee: Chiaphua Industries Limited, Hong Kong, Hong Kong

[**] Term: 14 Years

[21] Appl. No.: 850,077

[22] Filed: Mar. 12, 1992

[52] U.S. Cl. D7/360; D7/354

[58] Field of Search D7/323, 354, 355, 356, D7/358, 360, 387, 402; 99/422, 324, 325, 339, 345, 425, 426

[56] References Cited

U.S. PATENT DOCUMENTS

D. 230,935	3/1974	Lloveras	D7/360
D. 247,946	5/1978	Painter et al.	D7/360
D. 279,956	8/1985	Eyck et al.	D7/354
D. 297,100	8/1988	Schaller	D7/356
907,154	12/1908	Lewis .	
925,781	6/1909	Mathy	220/4.21
1,300,504	4/1919	Speaks	99/422
3,902,044	8/1975	Doyle et al.	219/284
4,317,017	2/1982	Bowen	219/10.55 E
4,650,968	3/1987	Williams	219/401

OTHER PUBLICATIONS

HFD Supplement; Nov. 6, 1978; page unknown; Cooking dish by Aprica.

Industrial Design; May/Jun. 1978; p. 22; Waring Food Steamer.

Primary Examiner—Alan P. Douglas

Assistant Examiner—Caron D. Veynar

Attorney, Agent, or Firm—Kerkam, Stowell, Kondracki & Clarke

[57] CLAIM

The ornamental design for vegetable and rice cooker, as shown and described.

DESCRIPTION

FIG. 1 is a front perspective view of a vegetable and rice cooker showing my design as viewed from above and to the left thereof;

FIG. 2 is a front elevation view thereof;

FIG. 3 is a rear elevation view thereof;

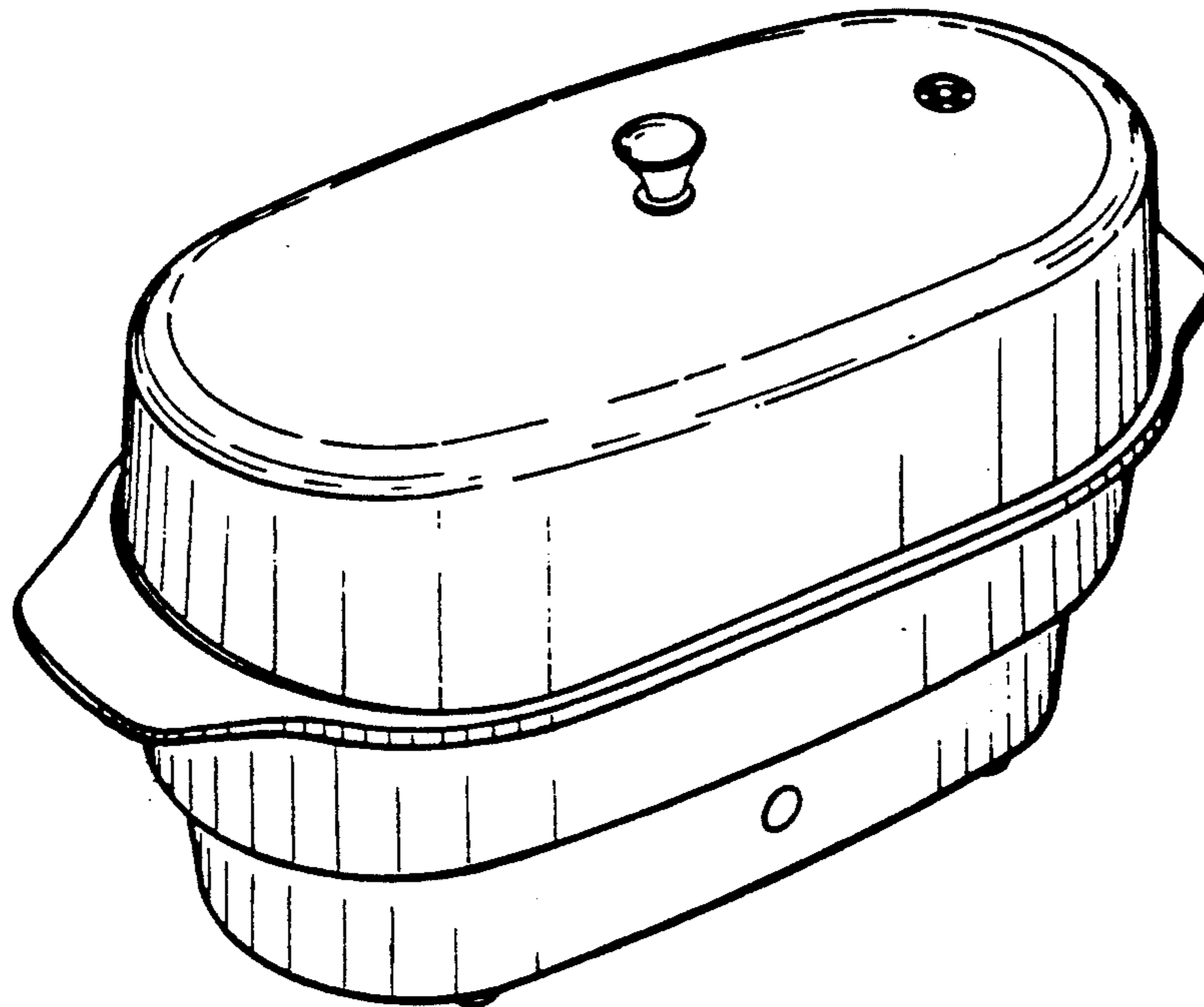
FIG. 4 is an end elevation view thereof, the opposite end being identical thereto;

FIG. 5 is a top plan view thereof;

FIG. 6 is a bottom plan view thereof; and,

FIG. 7 is a front perspective view thereof as viewed from below and to the right thereof.

The broken line showing of a portion of an electrical cord in FIGS. 6 and 7 is environmental only and forms no part of the claimed design.



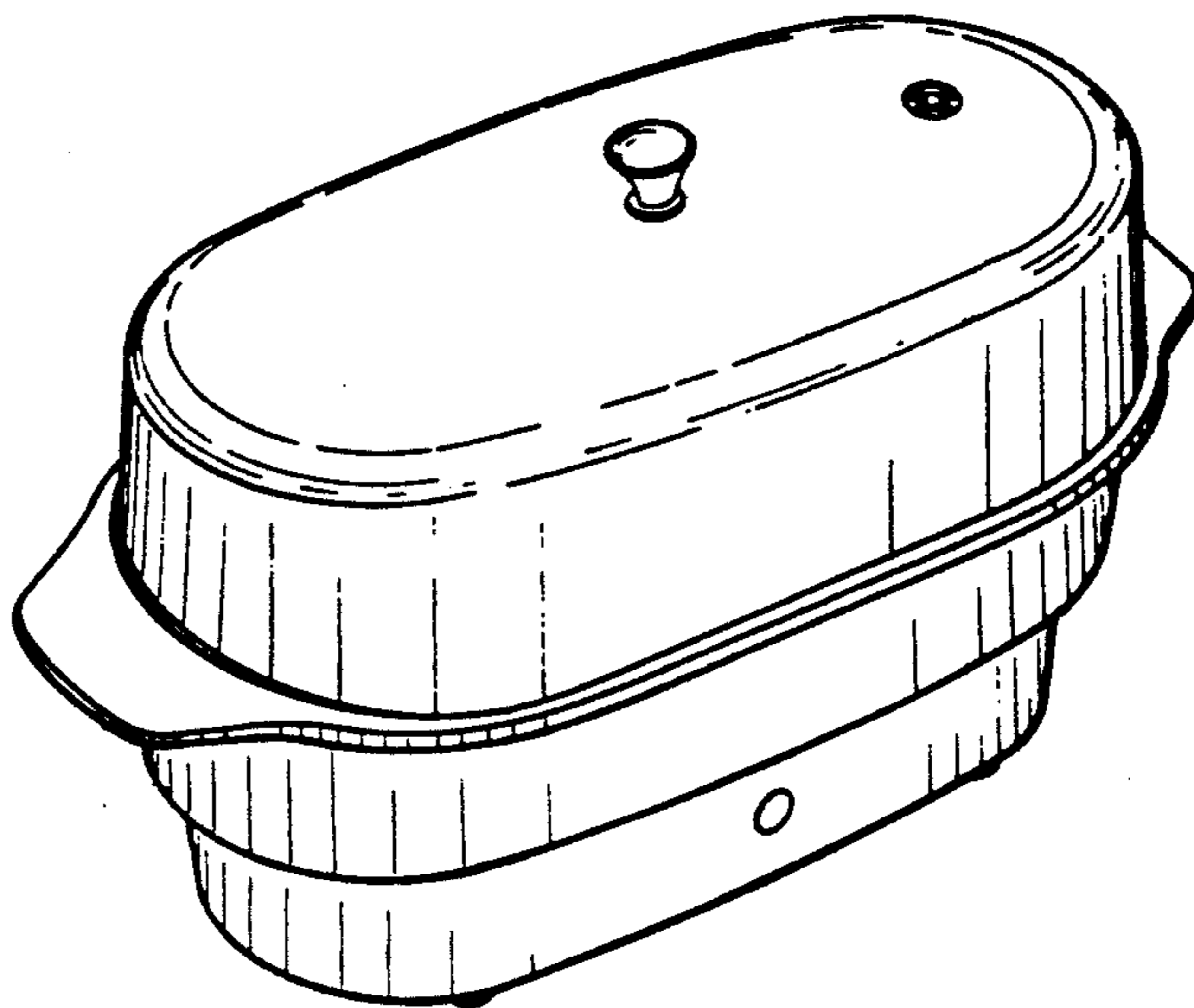


FIG. 1

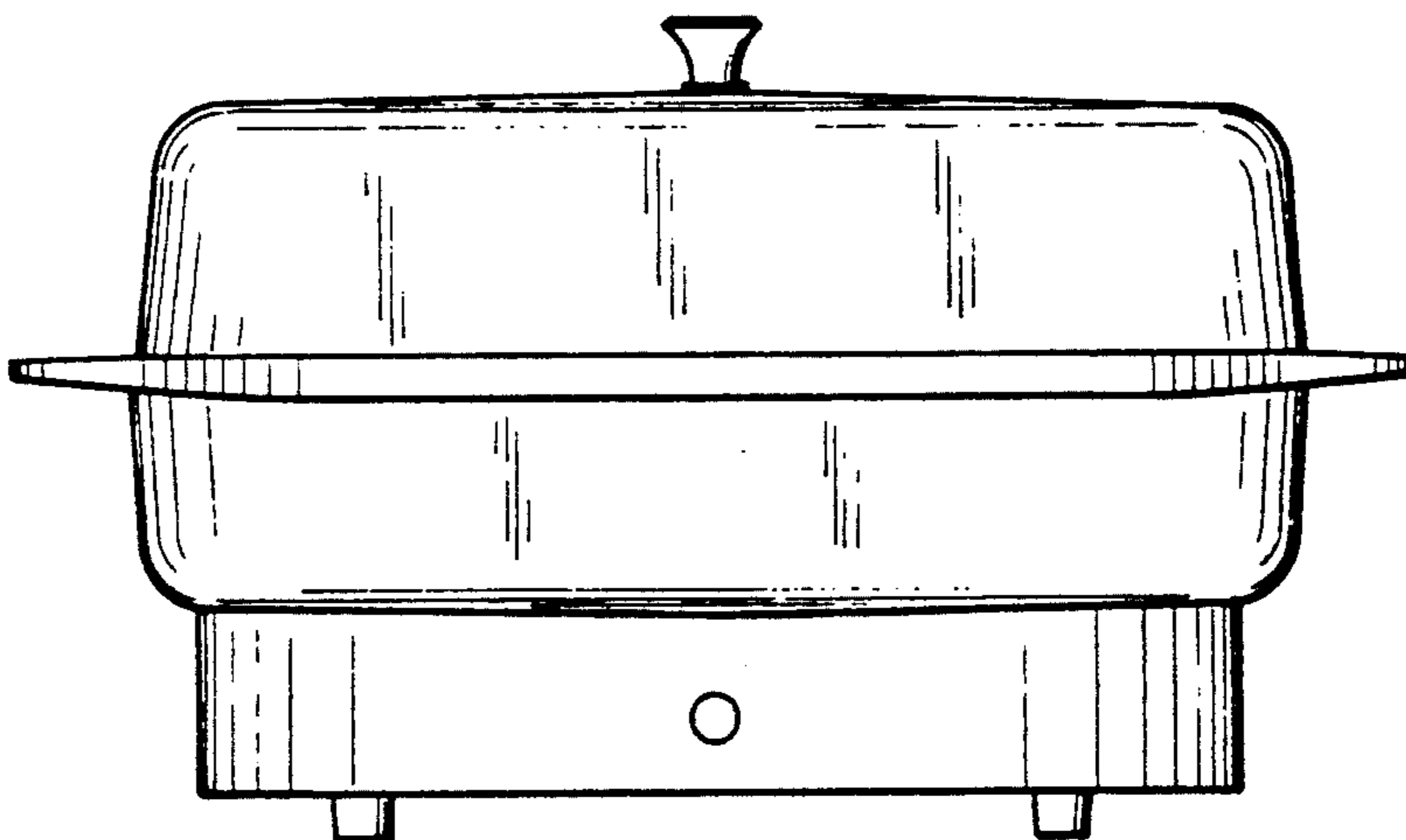


FIG. 2

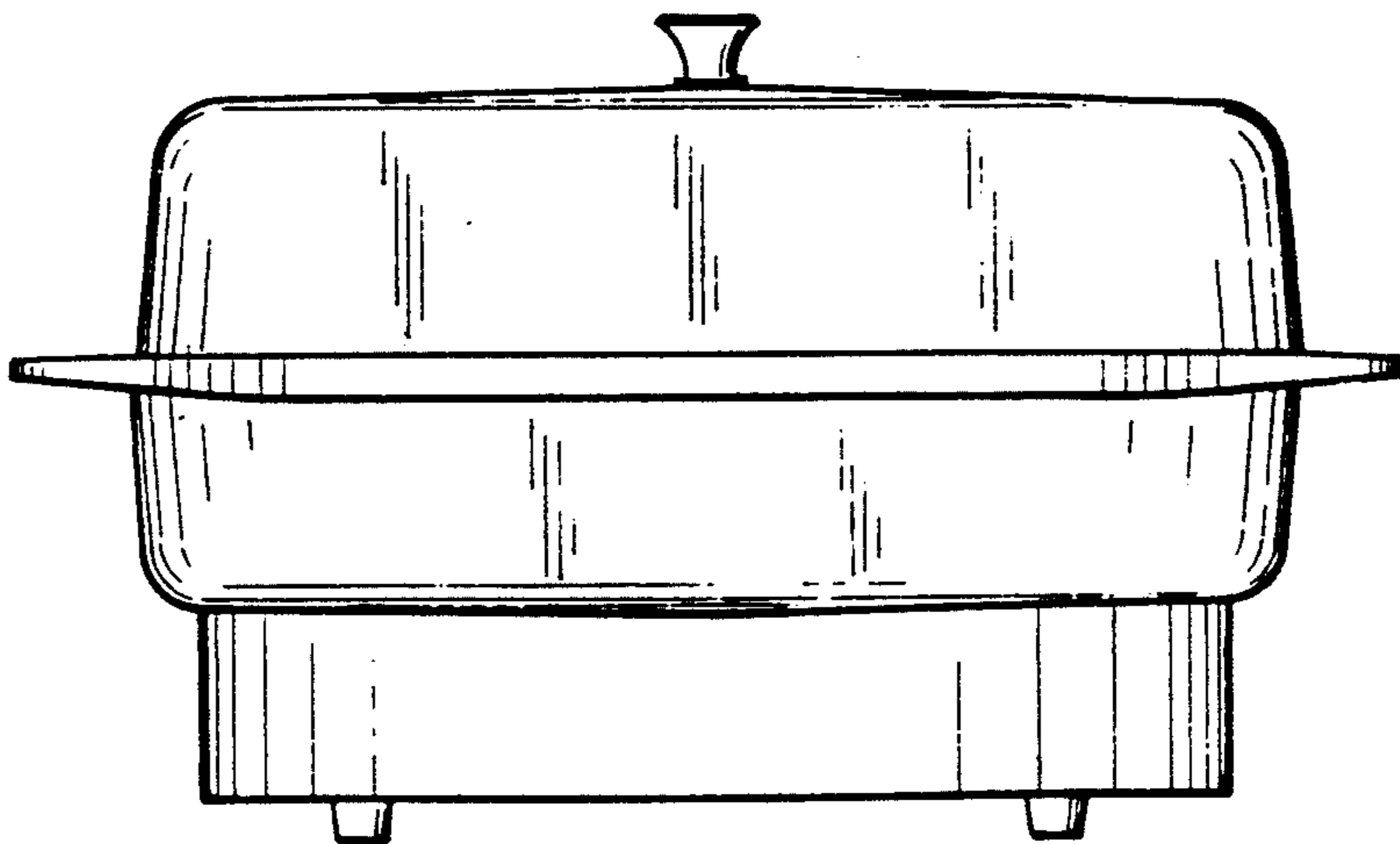


FIG. 3

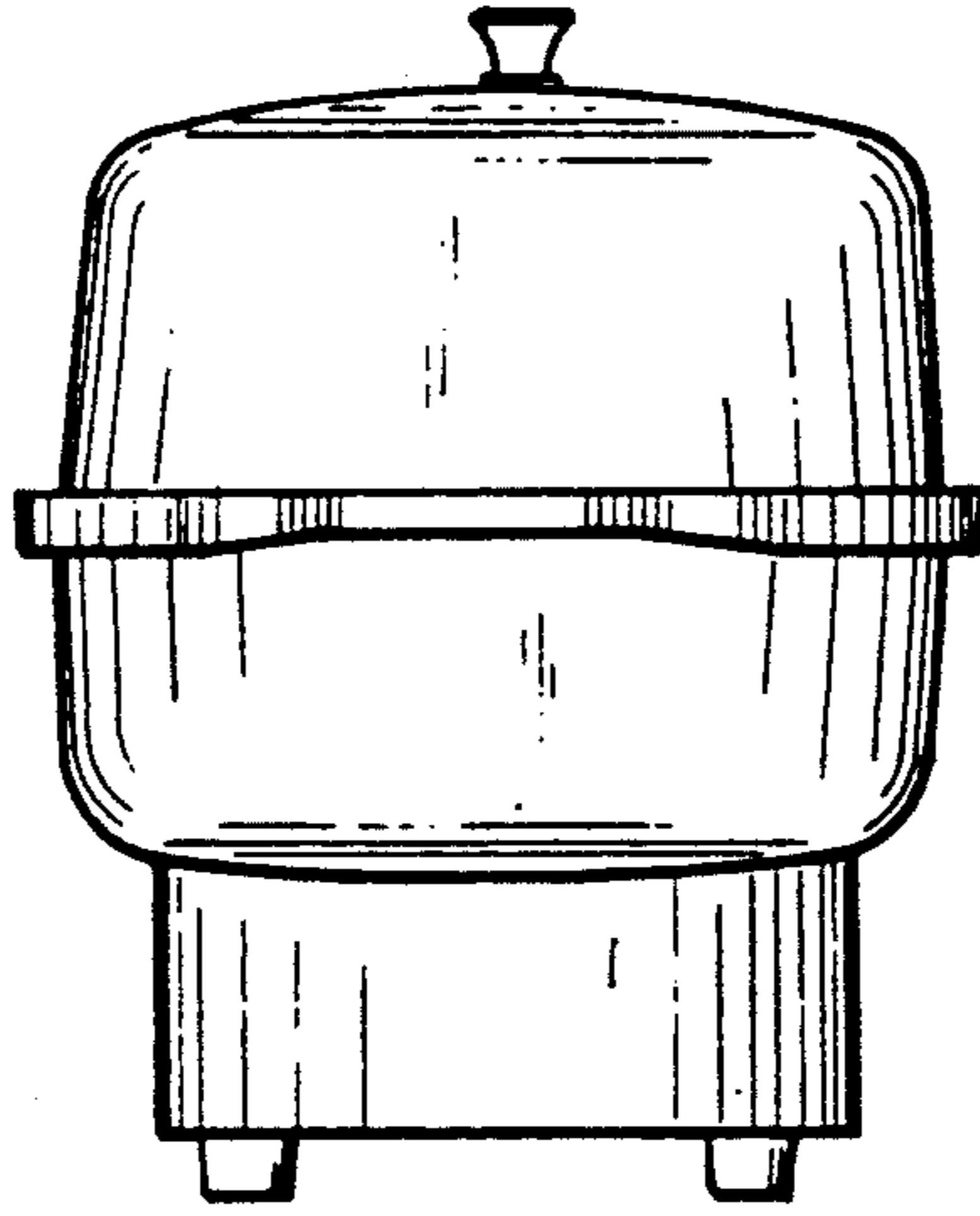


FIG. 4

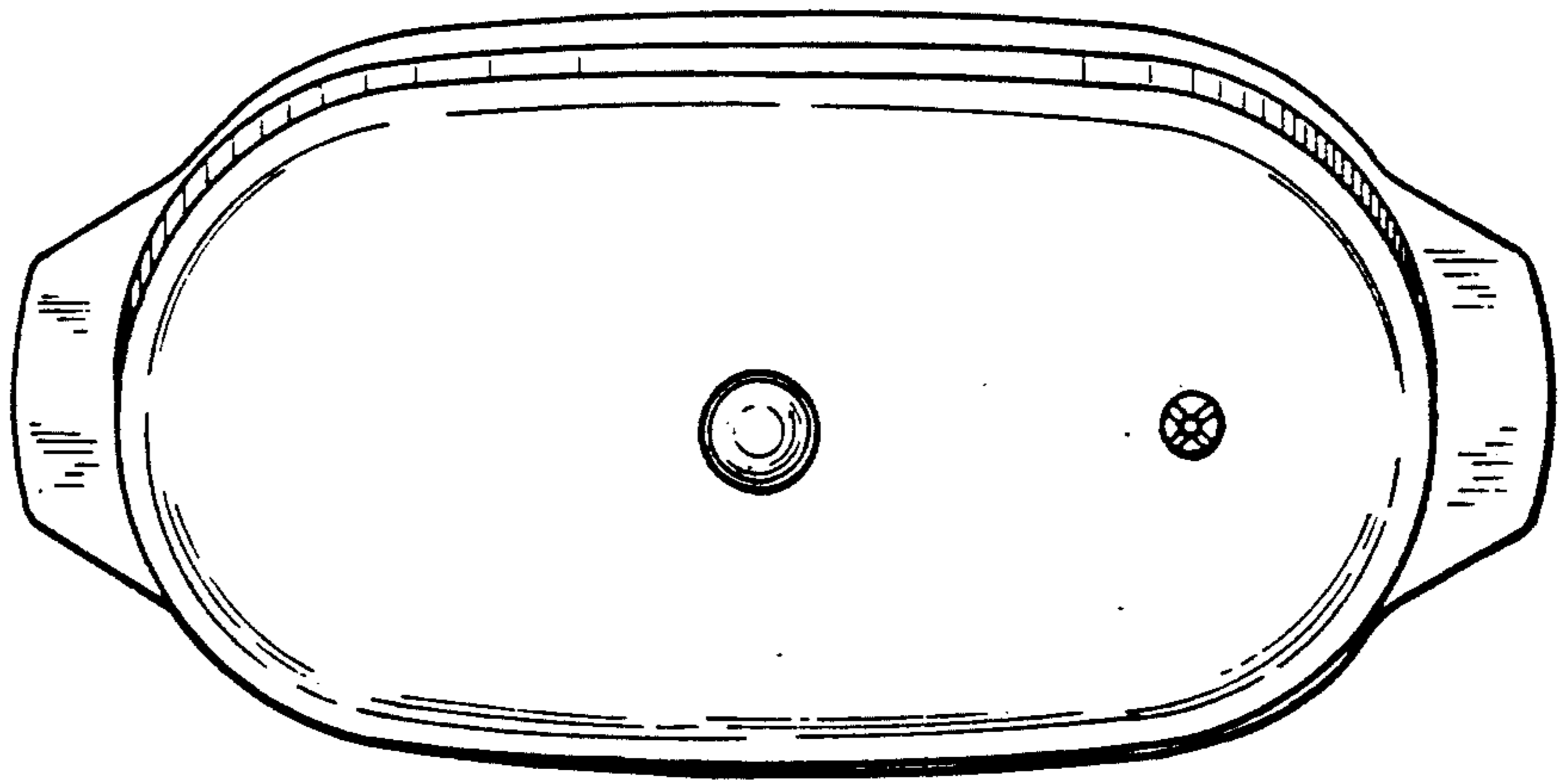


FIG. 5

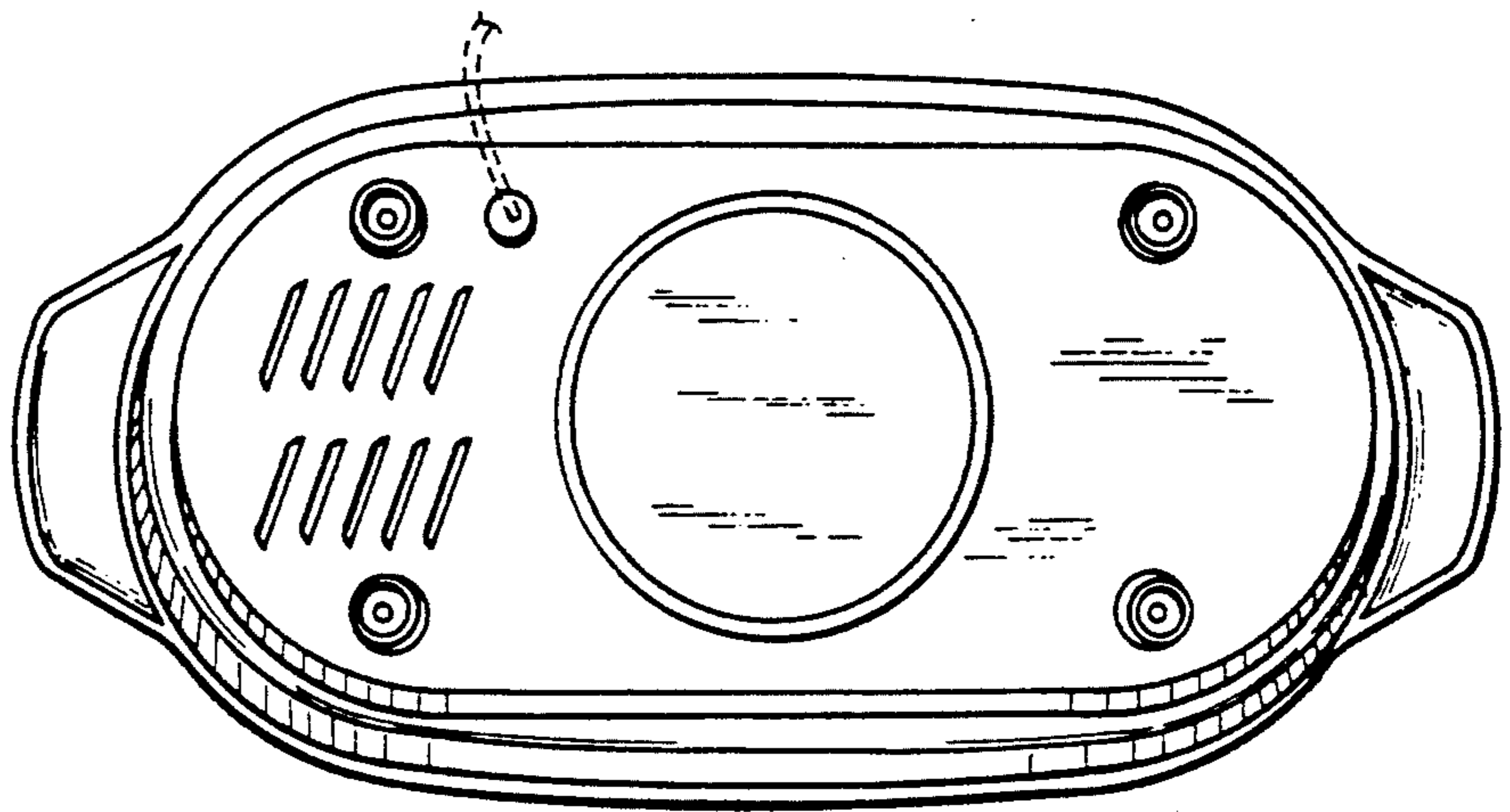


FIG. 6

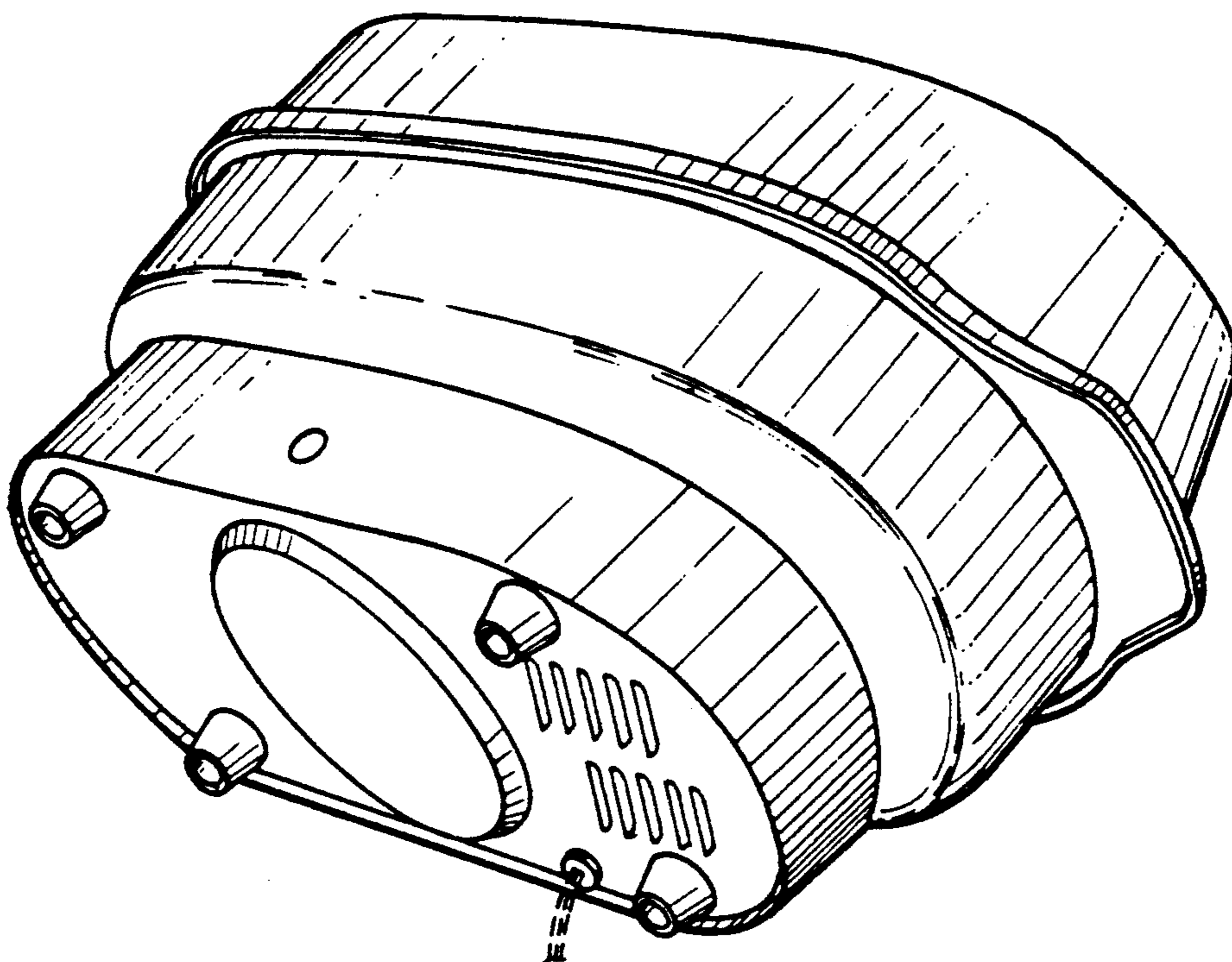


FIG. 7