



US00D347354S

# United States Patent [19]

[11] Patent Number: **Des. 347,354**

**Naft**

[45] Date of Patent: **\*\* May 31, 1994**

[54] **DIVIDER BASKET FOR A FOOD STEAMING APPLIANCE**

[75] Inventor: **Stuart Naft, Fairfield, Conn.**

[73] Assignee: **Black & Decker Inc., Newark, Del.**

[\*\*] Term: **14 Years**

[21] Appl. No.: **8,365**

[22] Filed: **May 17, 1993**

[52] U.S. Cl. .... **D7/354; D7/323; D7/356**

[58] Field of Search ..... **D7/323, 354, 356, 357, D7/361, 409; 99/324, 325, 339, 416, 415, 425, 426, 345**

1,909,988	5/1933	Powell .....	99/415 X
2,459,940	1/1949	Himmel .....	99/449 X
2,522,152	9/1950	Wilson .....	99/416 X
4,574,776	3/1986	Hidle .....	99/413 X
4,817,512	4/1989	Vangen .....	99/416 X
5,097,753	3/1992	Naft .....	D7/354 X

### FOREIGN PATENT DOCUMENTS

487391 4/1918 France ..... D7//354 X

*Primary Examiner*—Alan P. Douglas  
*Assistant Examiner*—Caron D. Veynar  
*Attorney, Agent, or Firm*—Barry E. Deutsch

### [57] CLAIM

The ornamental design for a divider basket for a food steaming appliance, as shown and described.

### DESCRIPTION

FIG. 1 is a perspective view of a divider basket for a food steaming appliance showing my new design taken from the rear and right side thereof;  
FIG. 2 is a top plan view thereof;  
FIG. 3 is a right side elevational view thereof;  
FIG. 4 is a rear elevational view thereof;  
FIG. 5 is a bottom plan view thereof;  
FIG. 6 is a left side elevational view thereof; and,  
FIG. 7 is a front elevational view thereof.

### [56] References Cited

#### U.S. PATENT DOCUMENTS

D. 16,685	5/1886	Ringen .....	D7/357
D. 106,779	11/1937	Andre .....	D7/360
D. 156,184	11/1949	Ulmer .....	D7/357
1,290,188	1/1919	Held .....	99/416 X
1,316,827	9/1919	Brunner .....	99/416
1,519,510	12/1924	Santarsiero .....	99/416
1,680,787	5/1927	Cullen .....	99/416
1,791,889	2/1931	Duncan .....	99/416

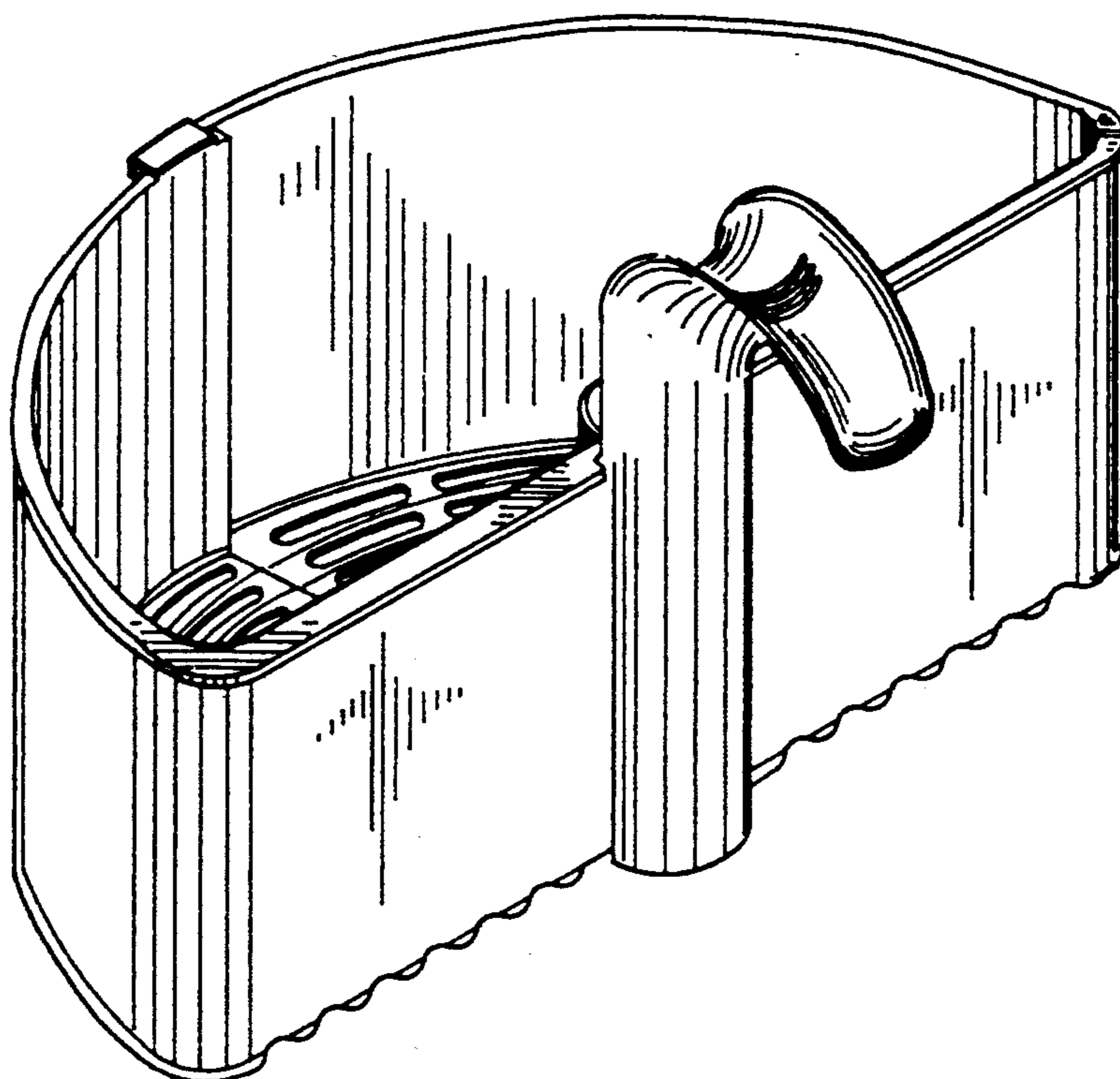


FIG. 1

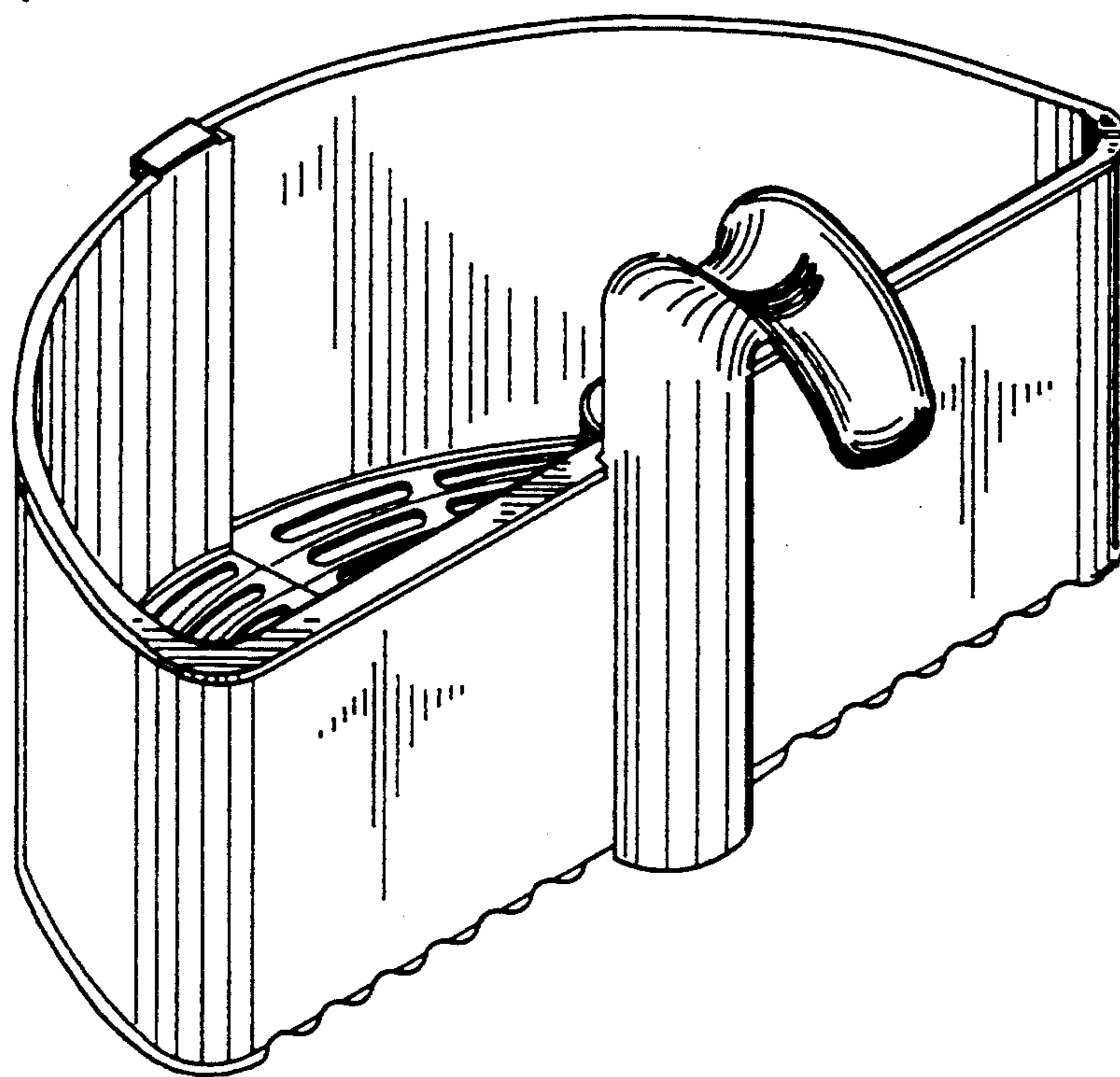


FIG. 2

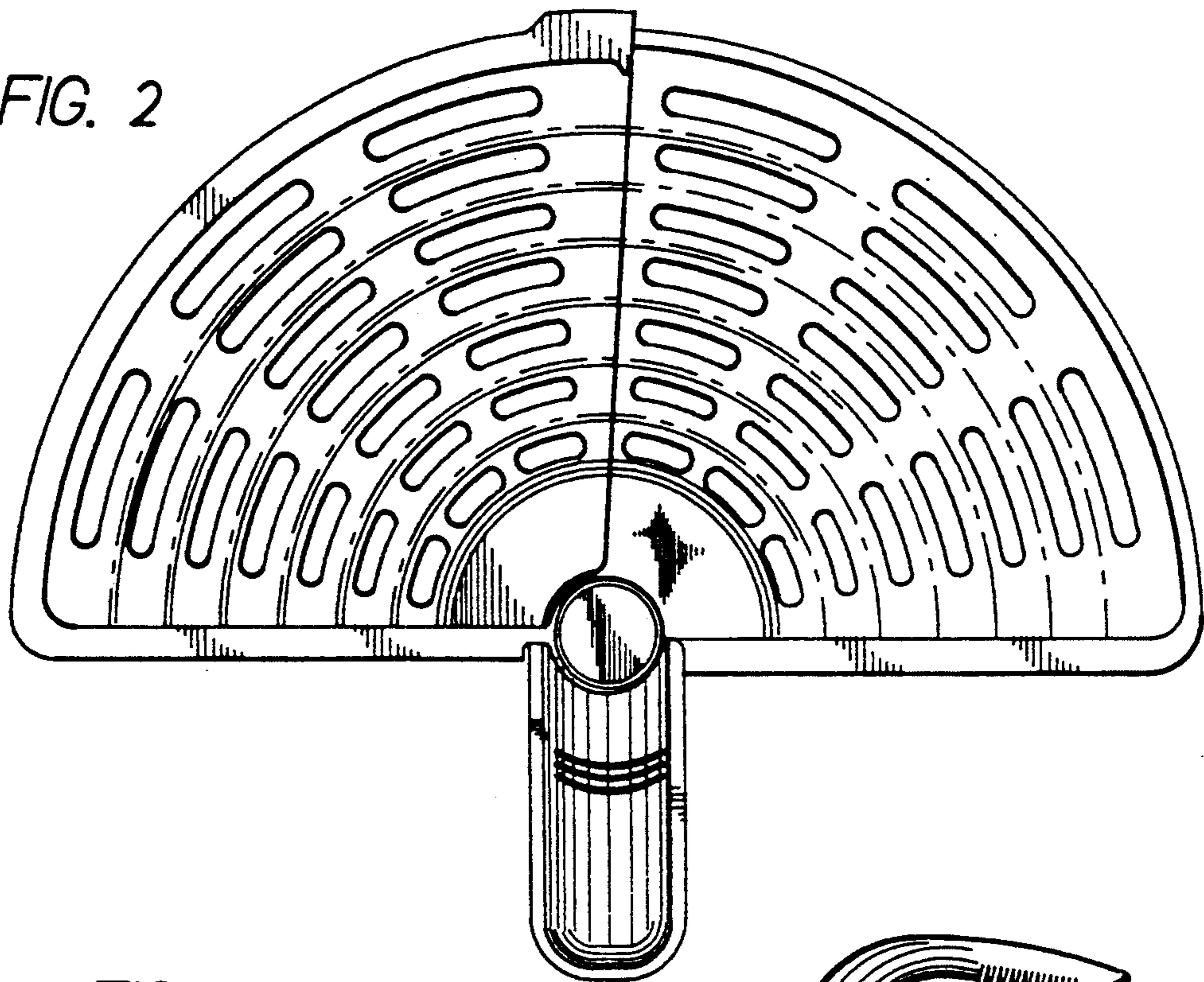


FIG. 3

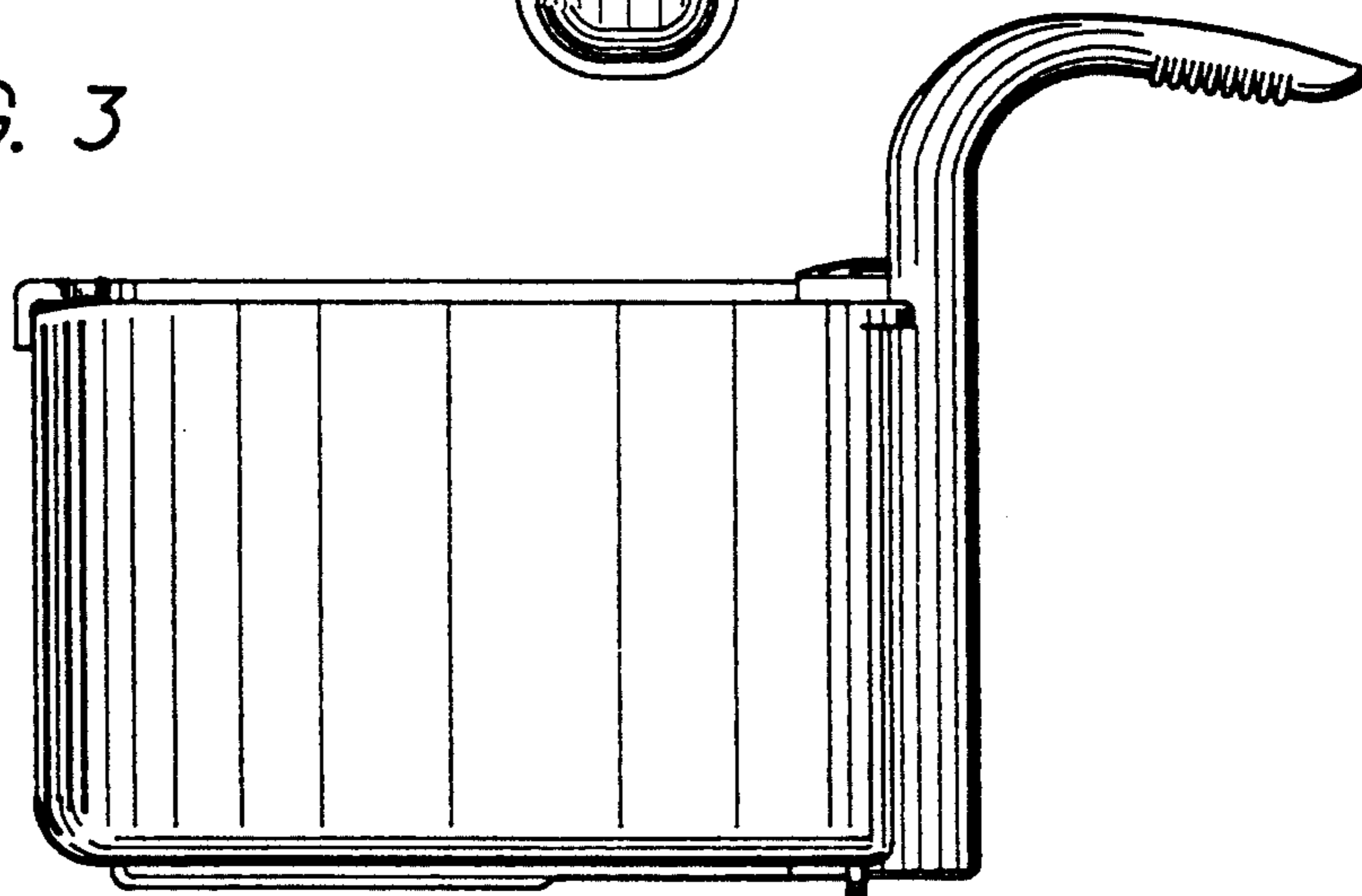


FIG. 4

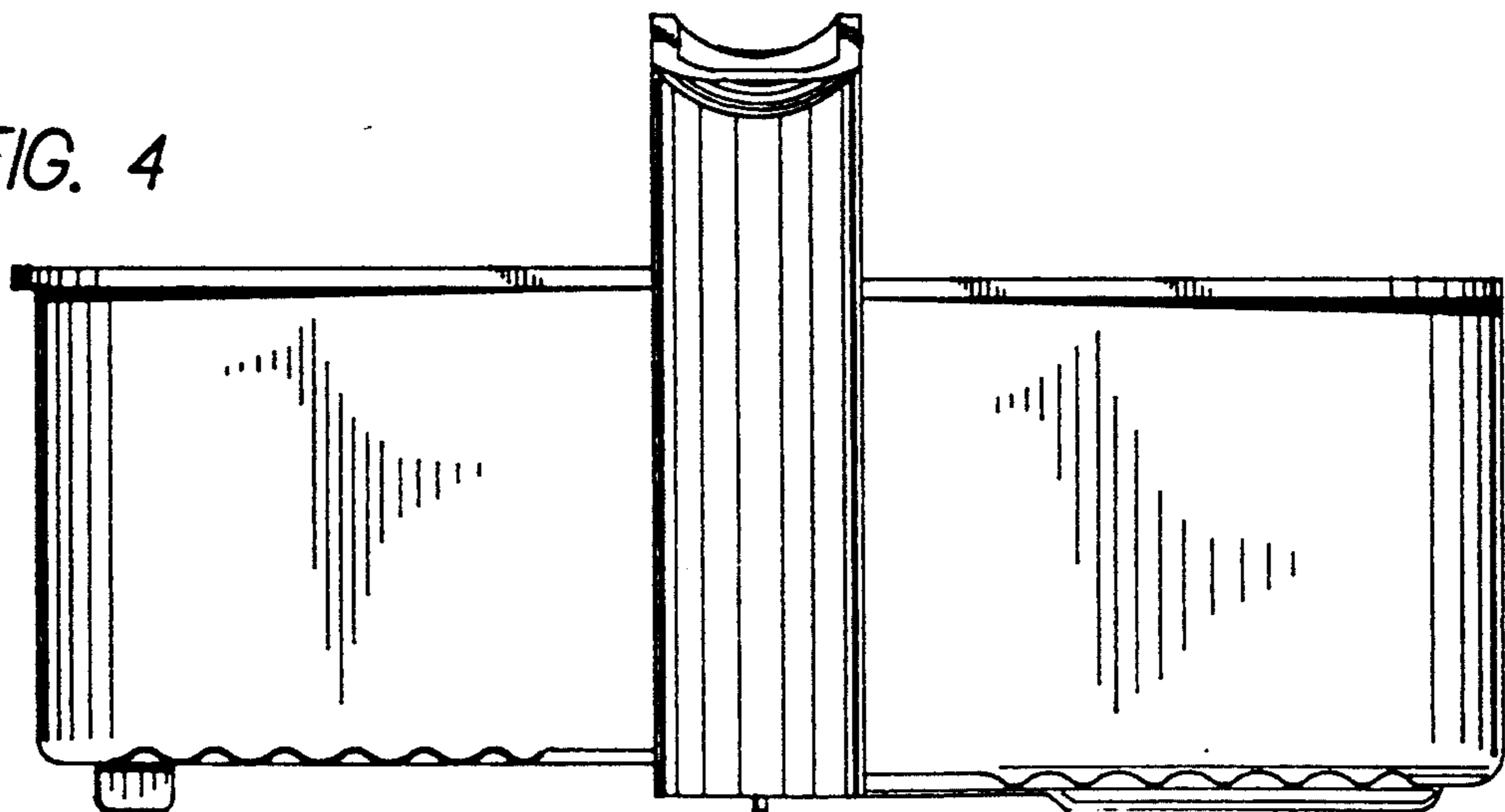




FIG. 5

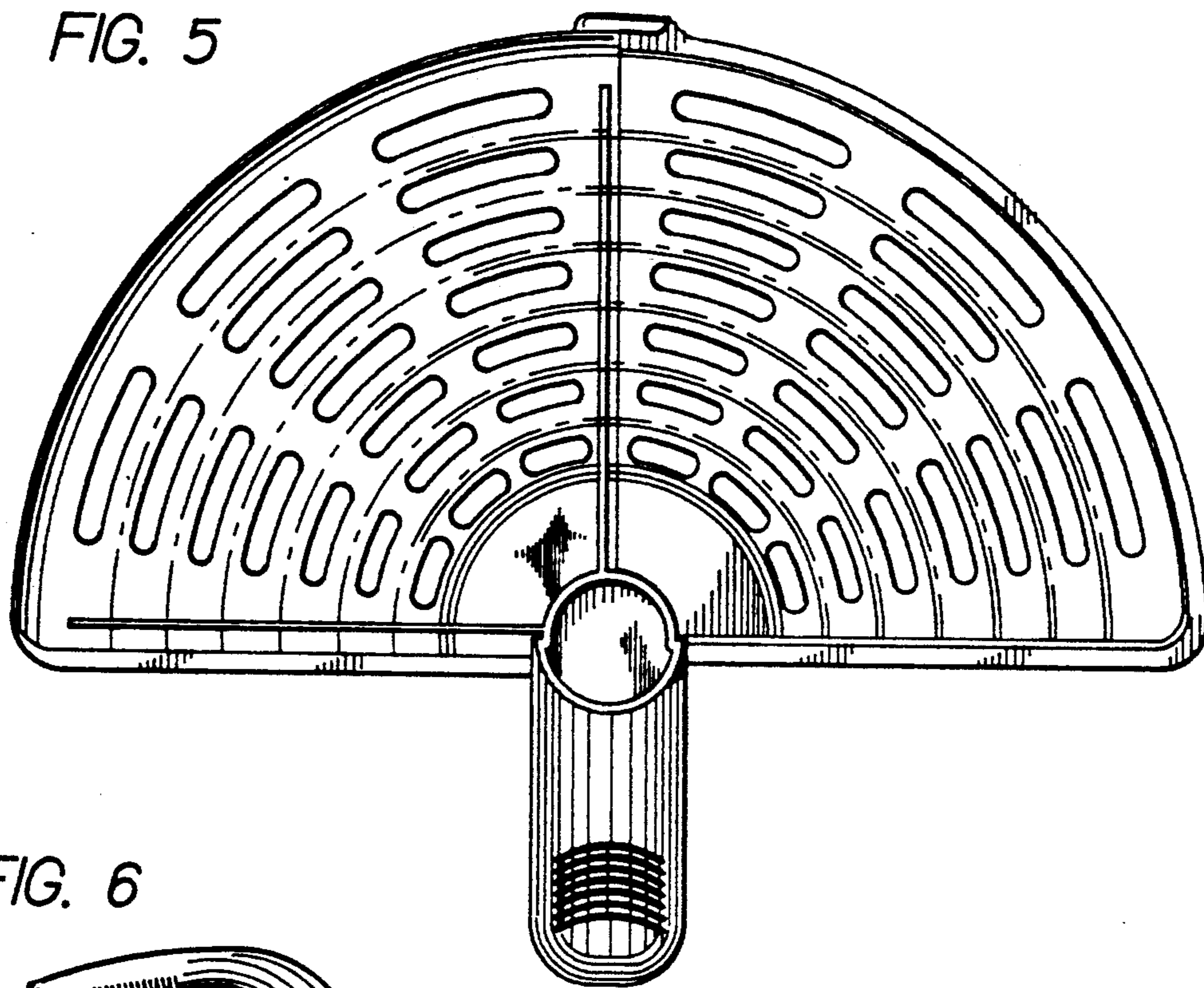


FIG. 6

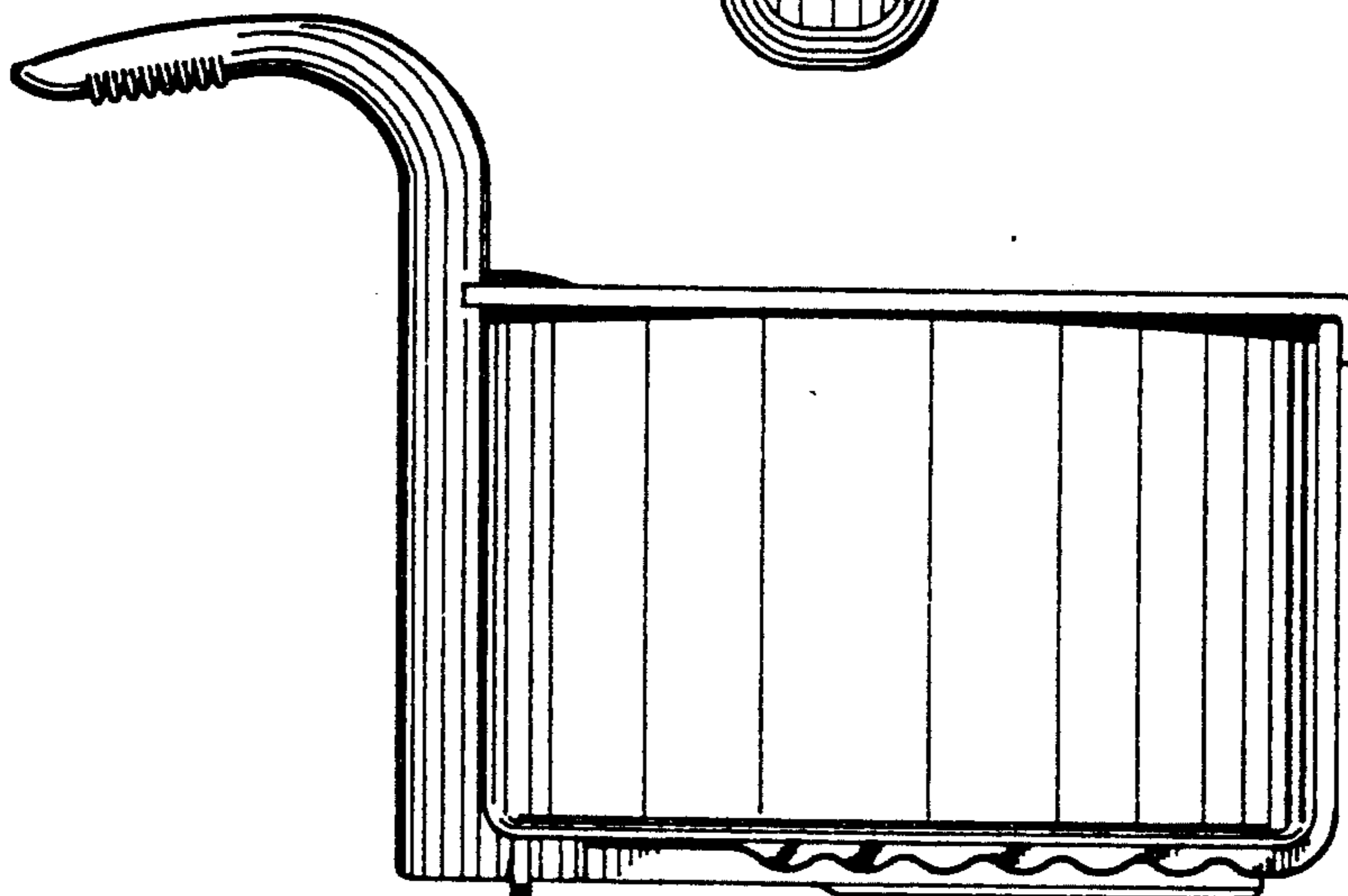


FIG. 7

