



US00D347353S

United States Patent [19]

Piret et al.

[11] Patent Number: **Des. 347,353**

[45] Date of Patent: **** May 31, 1994**

[54] **HOUSEHOLD DEEP FAT FRYER**

[76] Inventors: **Philippe Piret**, Les Jardins d'Ifs, 1876 Route de Breteville, 14123 Ifs; **Angus Ross**, 13 Rue Vauquelin, 14000 Caen, both of France

[**] Term: **14 Years**

[21] Appl. No.: **5,352**

[22] Filed: **Mar. 2, 1993**

[30] **Foreign Application Priority Data**

Sep. 2, 1992 [FR] France 925,316

[52] U.S. Cl. **D7/354; D7/360**

[58] Field of Search **D7/354, 355, 356, 360; 99/331, 403, 410, 411, 413; 219/429, 432, 438, 440**

[56] **References Cited**

U.S. PATENT DOCUMENTS

D. 313,530 1/1991 Leiros D7/354

D. 330,825 11/1992 Sekita et al. D7/354

D. 339,025 9/1993 Piret et al. D7/354

D. 339,957 10/1993 Chang D7/354

D. 341,056 11/1993 Powell D7/354

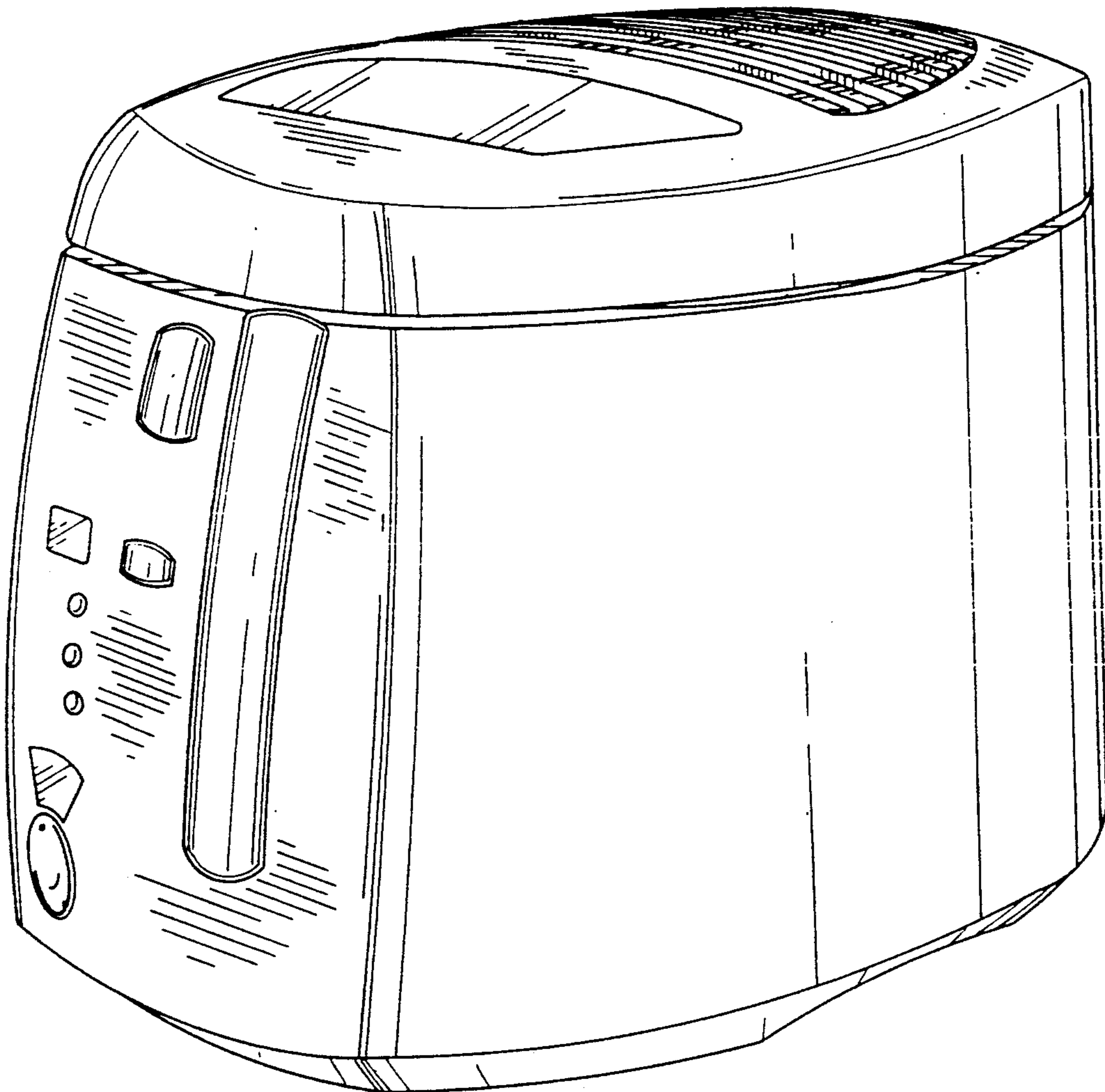
Primary Examiner—Alan P. Douglas
Assistant Examiner—Caron D. Veynar
Attorney, Agent, or Firm—Young & Thompson

[57] CLAIM

The ornamental design for a household deep fat fryer, as shown.

DESCRIPTION

FIG. 1 is a top, front and side perspective view of a household deep fat fryer showing our new design; FIG. 2 is a front elevational view thereof; FIG. 3 is a side elevational view thereof from the left of FIG. 2; FIG. 4 is a side elevational view thereof from the right of FIG. 2; FIG. 5 is a rear elevational view thereof; FIG. 6 is a top plan view thereof; and, FIG. 7 is a bottom plan view thereof.



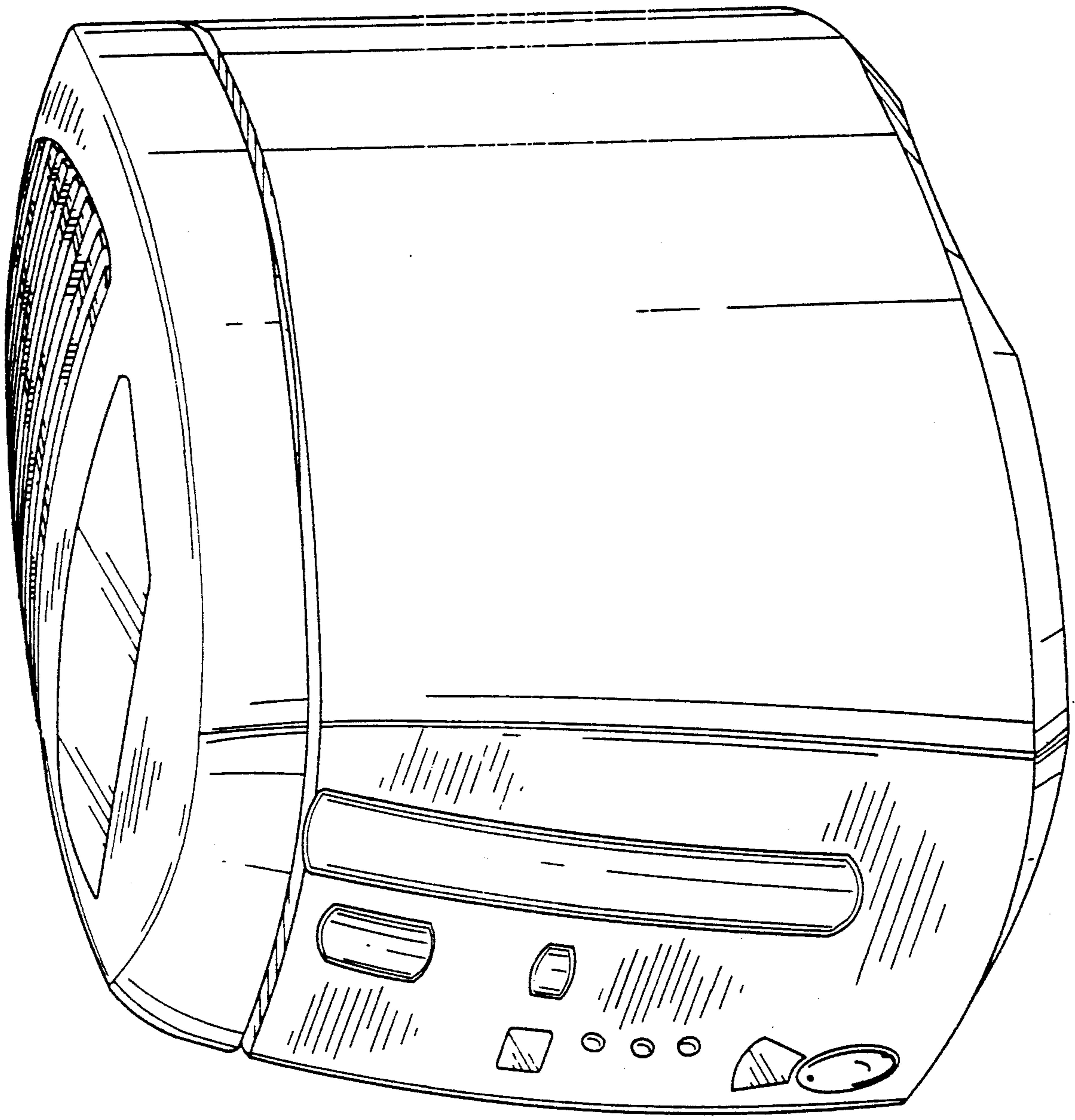


FIG. 1

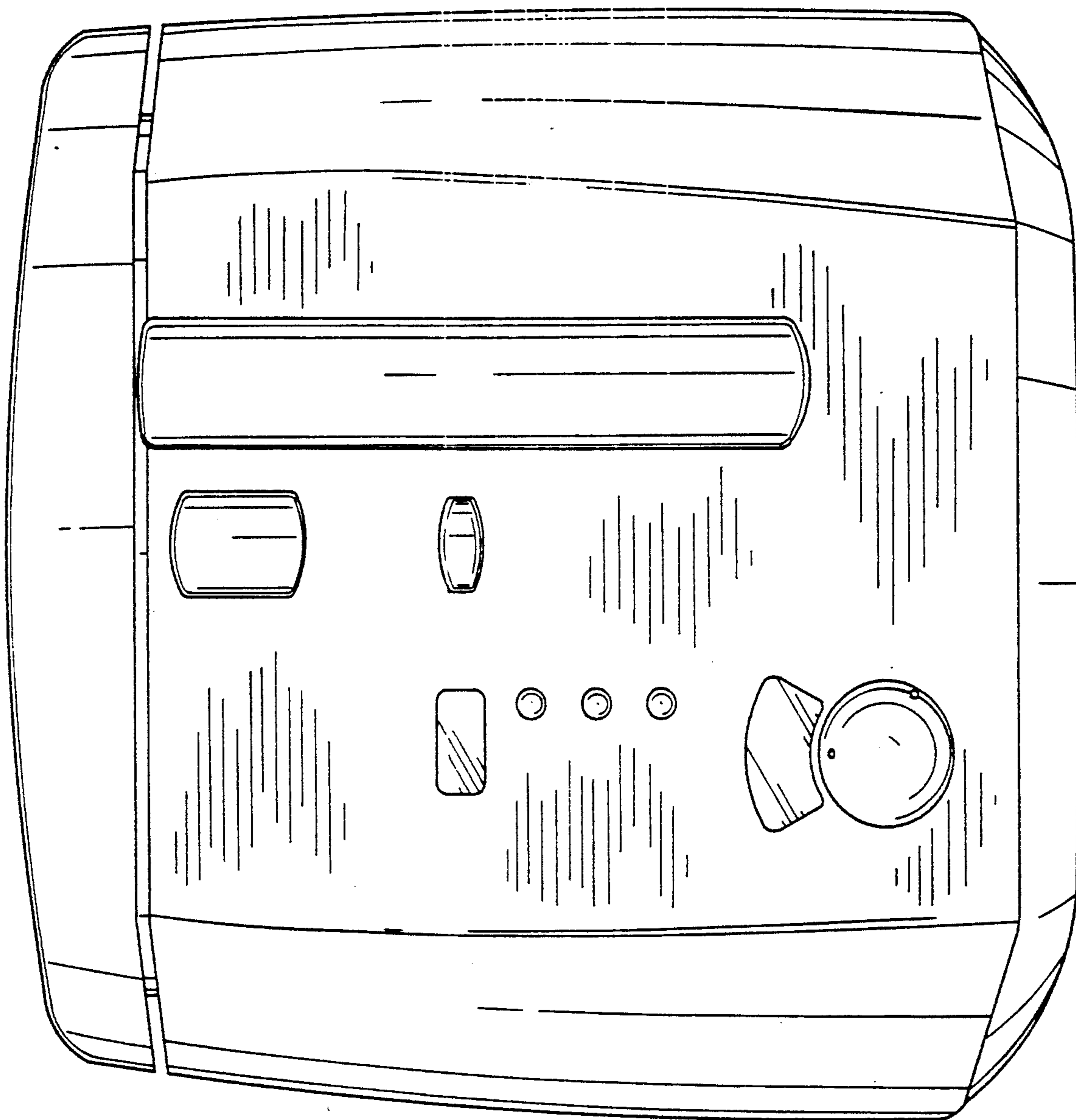


FIG. 2

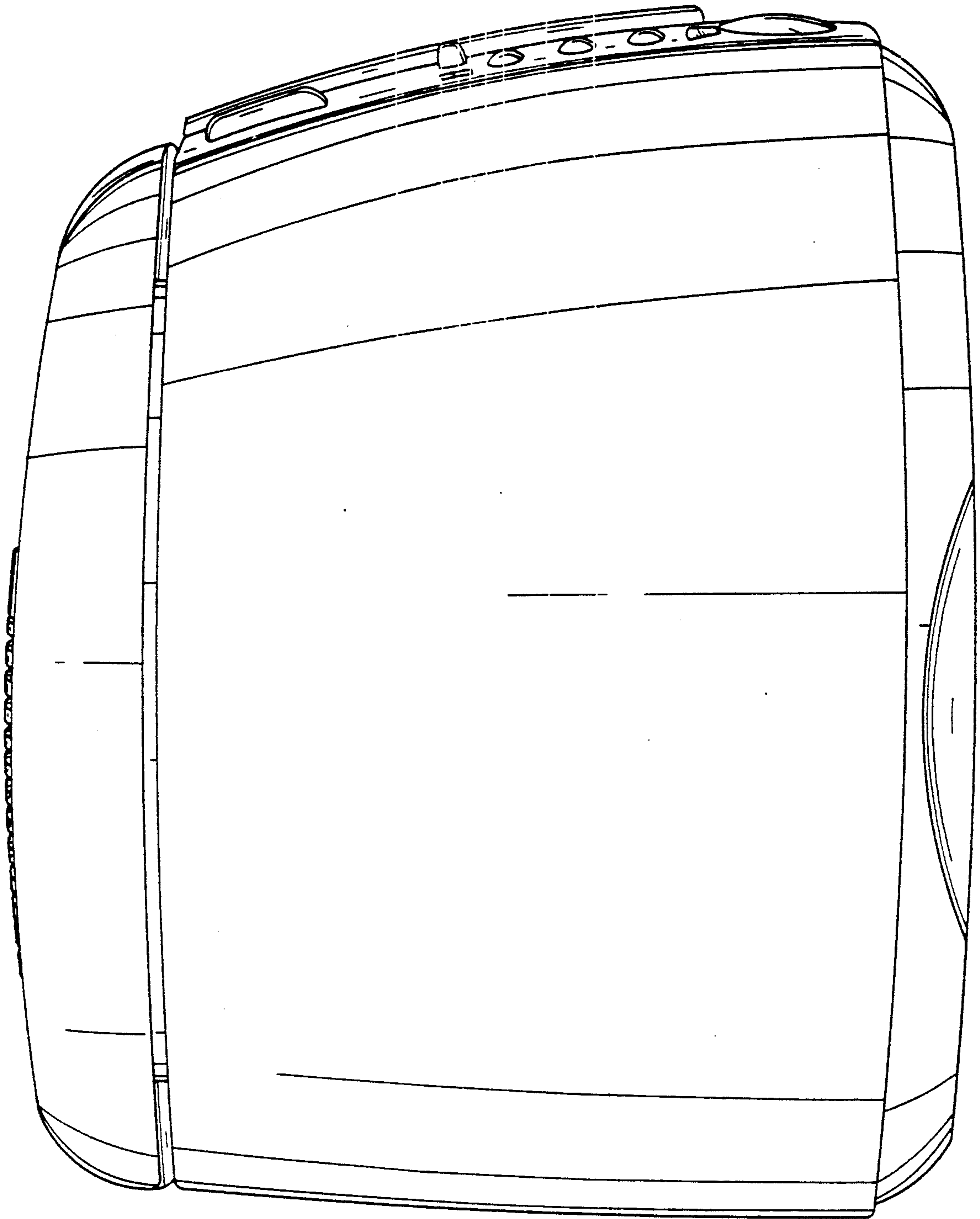


FIG. 3

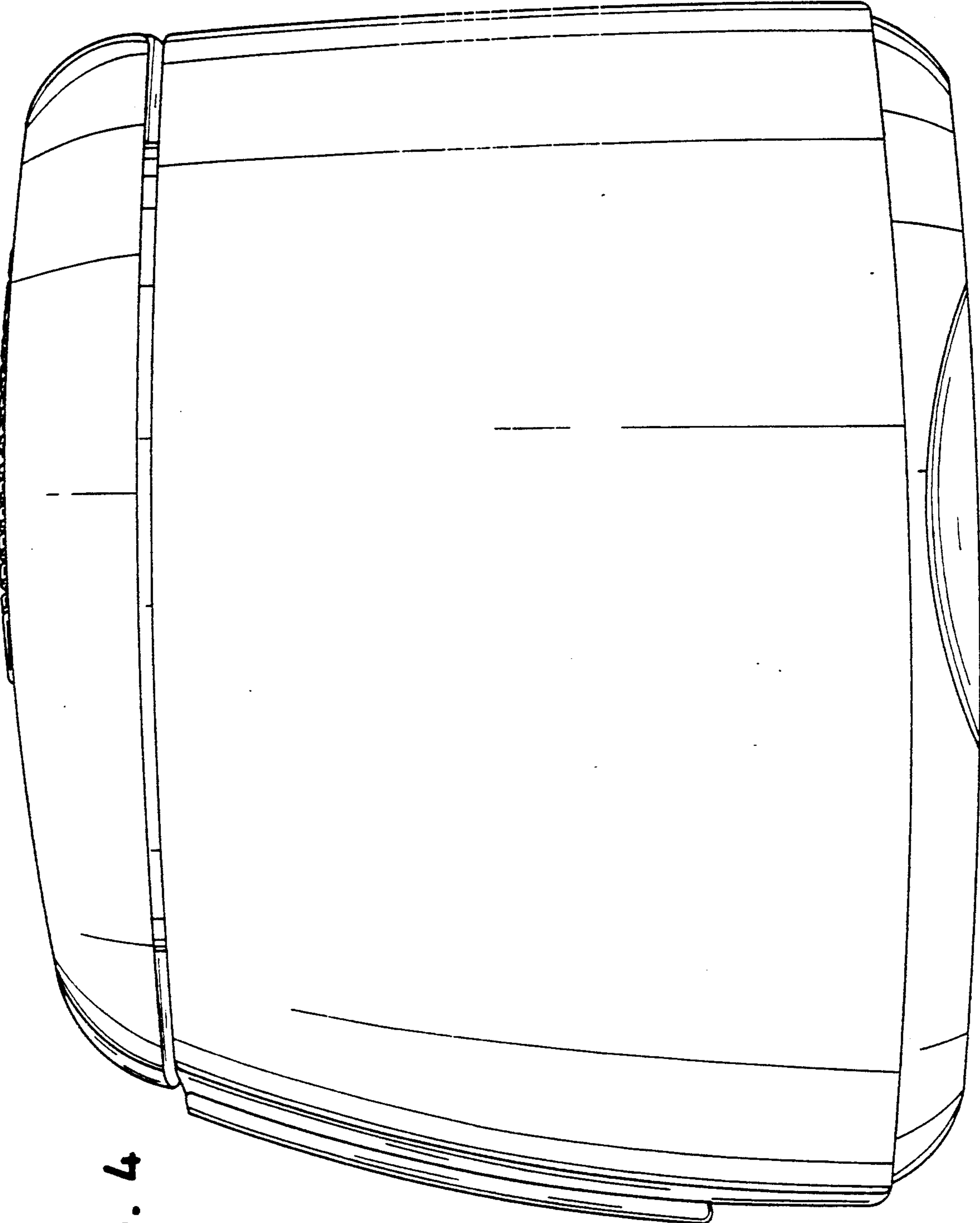


FIG. 4

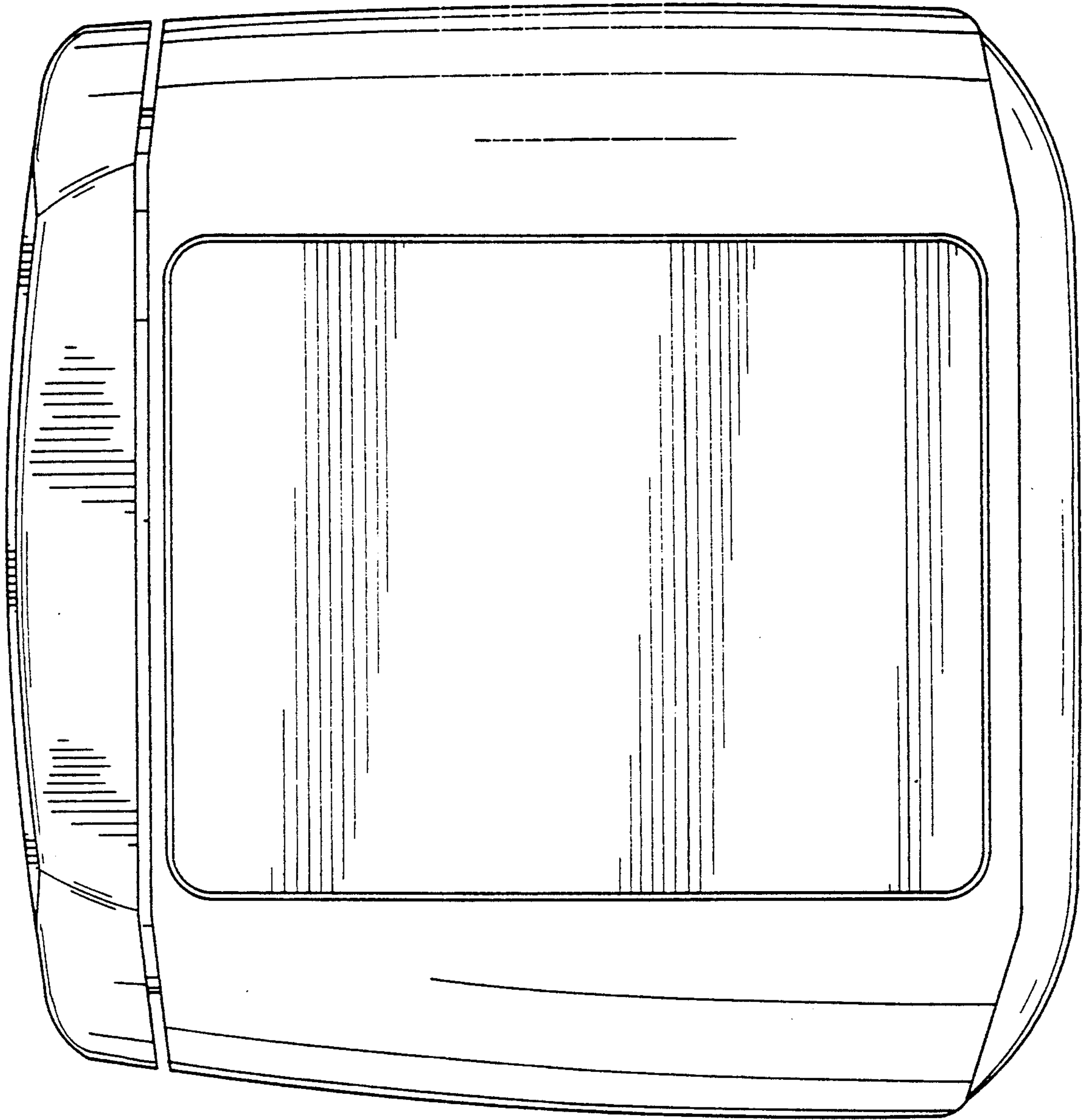


FIG. 5

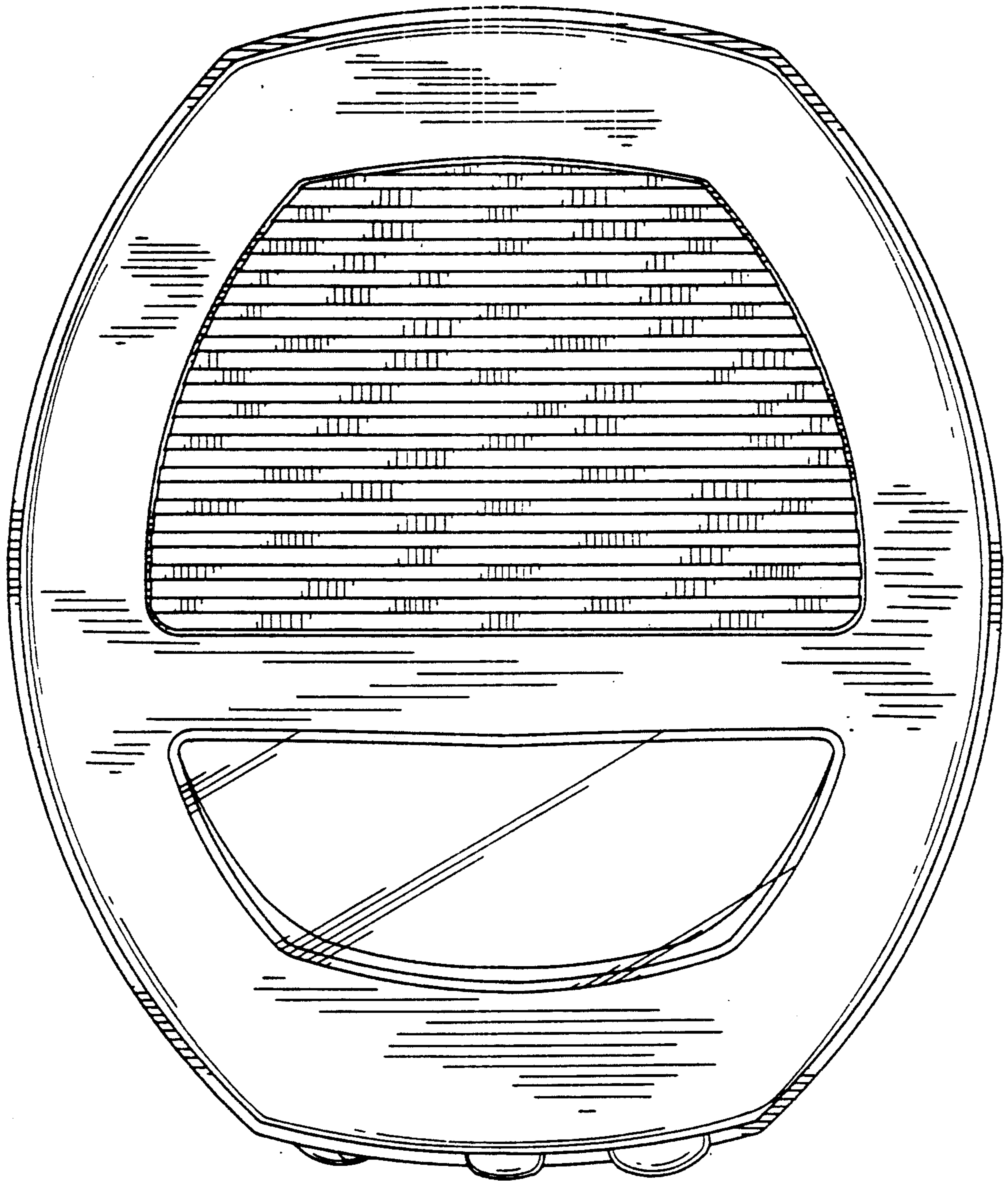


FIG. 6

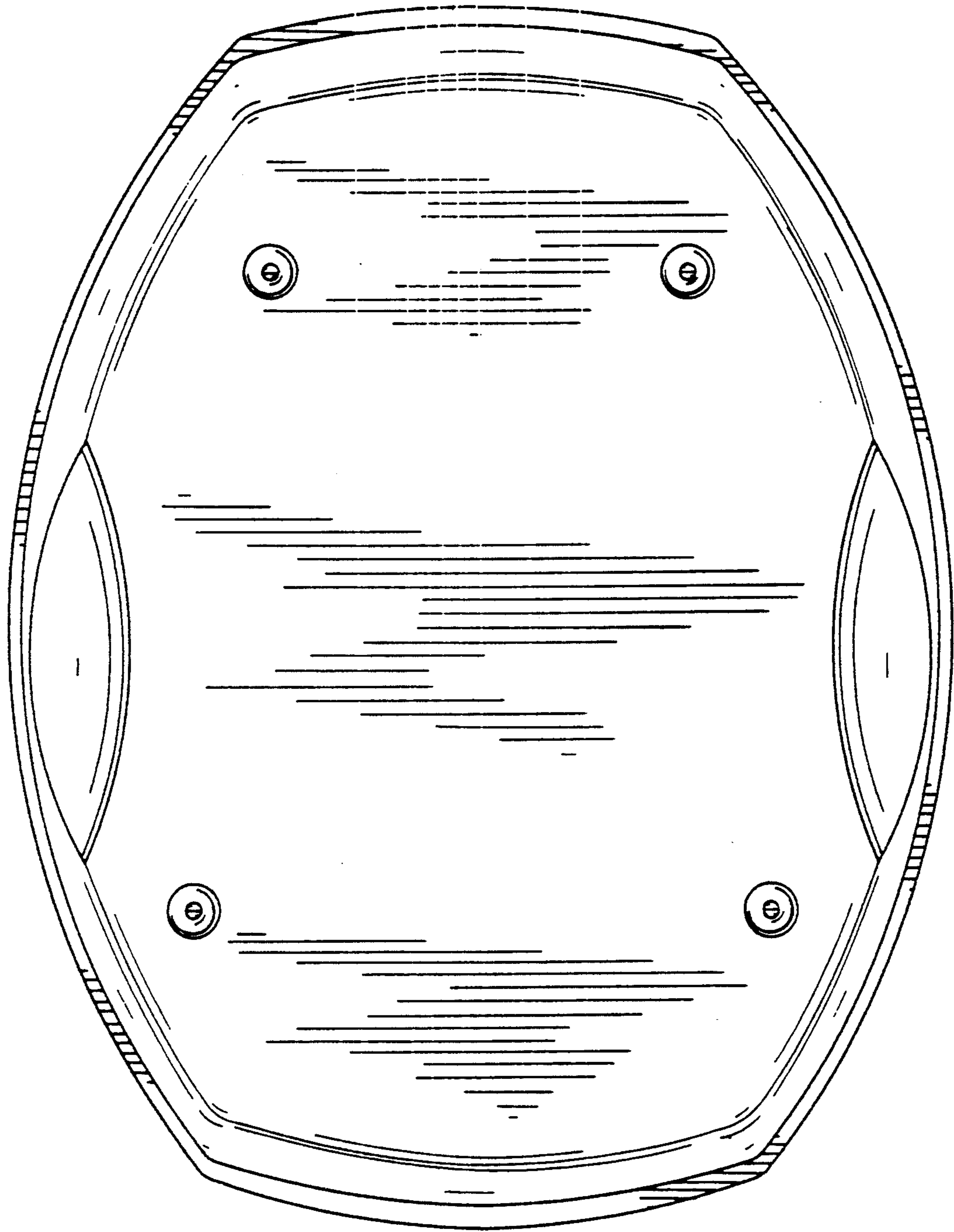


FIG. 7