



US00D347352S

# United States Patent [19]

[11] Patent Number: Des. 347,352

Myers et al.

[45] Date of Patent: \*\* May 31, 1994

[54] VEGETABLE/RICE STEAMER

[75] Inventors: Terry L. Myers, Richmond, Va.;  
Phillip L. Brookshire, Cincinnati,  
Ohio

[73] Assignee: Hamilton Beach/Proctor-Silex, Inc.,  
Glen Allen, Va.

[\*\*] Term: 14 Years

[21] Appl. No.: 3,490

[22] Filed: Jan. 8, 1993

[52] U.S. Cl. .... D7/354; D7/358

[58] Field of Search ..... D7/323, 354, 358, 360;  
99/324, 325, 336, 403

[56] References Cited

U.S. PATENT DOCUMENTS

D. 248,363	7/1978	Rinaldi .....	D7/354
D. 323,762	2/1992	Barrault .....	D7/354
D. 330,825	11/1992	Sekita et al. ....	D7/354
D. 337,479	7/1993	Doi .....	D7/354
2,597,695	5/1952	Braski et al. ....	219/441
2,785,277	3/1957	Jepson .....	D7/360 X
4,509,412	4/1985	Whittenburg et al. ....	D7/354 X
4,636,618	1/1987	Jenicot .....	D7/354 X
4,739,698	4/1988	Allaire .....	99/410

OTHER PUBLICATIONS

Catalog titled, "1993/94 Hamilton Beach Proctor-Silex Catalog," published in Apr. 1993 by Hamilton Beach/Proctor-Silex, Inc.

Sets of photocopies of sides of a box containing an Oster

rice cooker/steamer published by Sunbeam-Oster Household Products in 1991.

Unpublished photograph of a Corning Ware bowl which has been offered for sale more than one year prior to the filing date of this application.

Photocopies of the front and back cover pages and pp. 195 and 202 of the "Best General Merchandise Catalog," published 1990/91 by Best Products Co., Inc.

Primary Examiner—Alan P. Douglas

Assistant Examiner—Caron D. Veynar

Attorney, Agent, or Firm—Roger S. Dybvig

[57] CLAIM

The ornamental design for a vegetable/rice steamer, as shown and described.

DESCRIPTION

FIG. 1 is a top, front and right side perspective view of a vegetable/rice steamer showing our new design;

FIG. 2 is a front elevational view thereof;

FIG. 3 is a rear elevational view thereof;

FIG. 4 is a left side elevational view thereof with the right side being a mirror image of the left side;

FIG. 5 is a top plan view thereof;

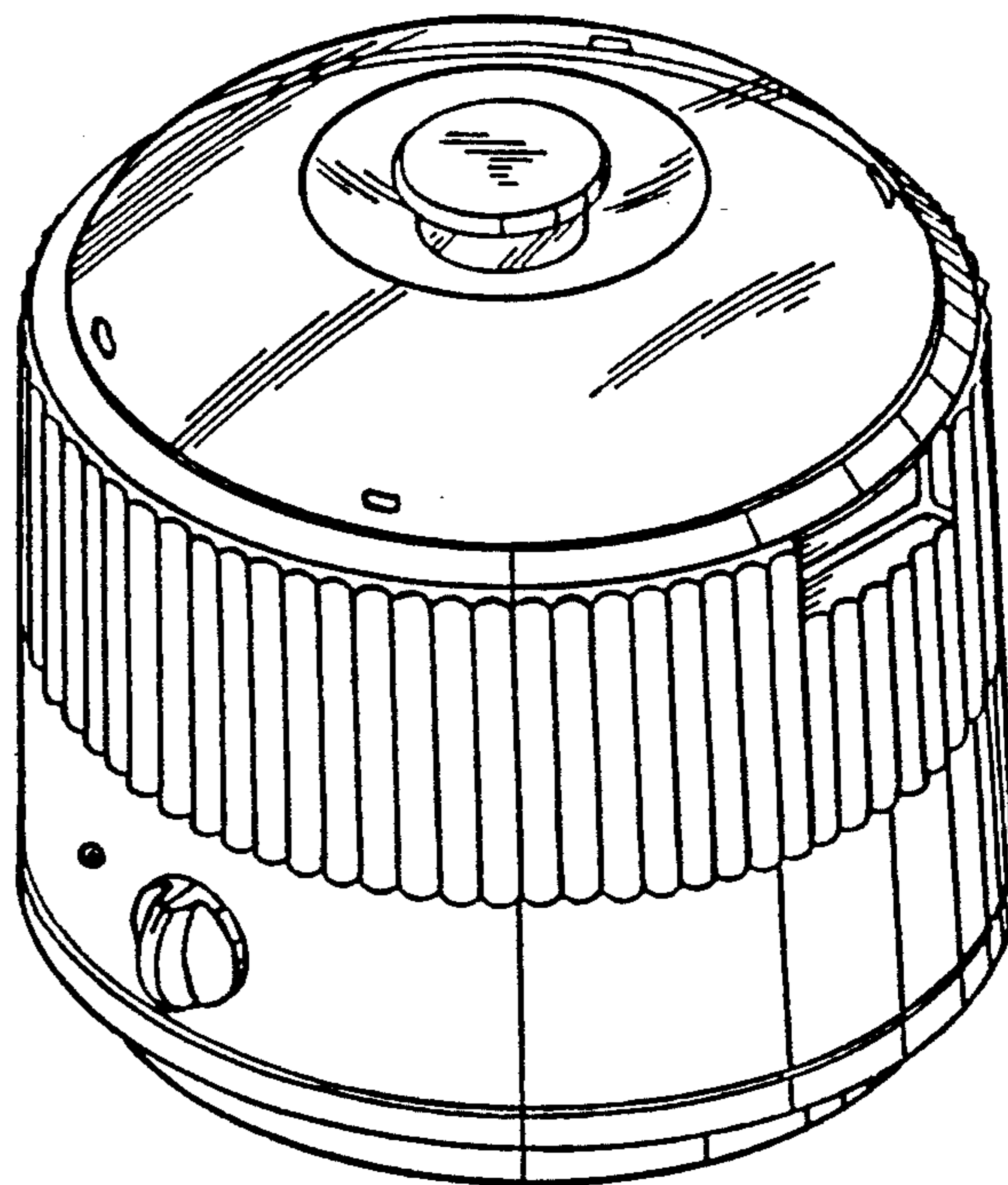
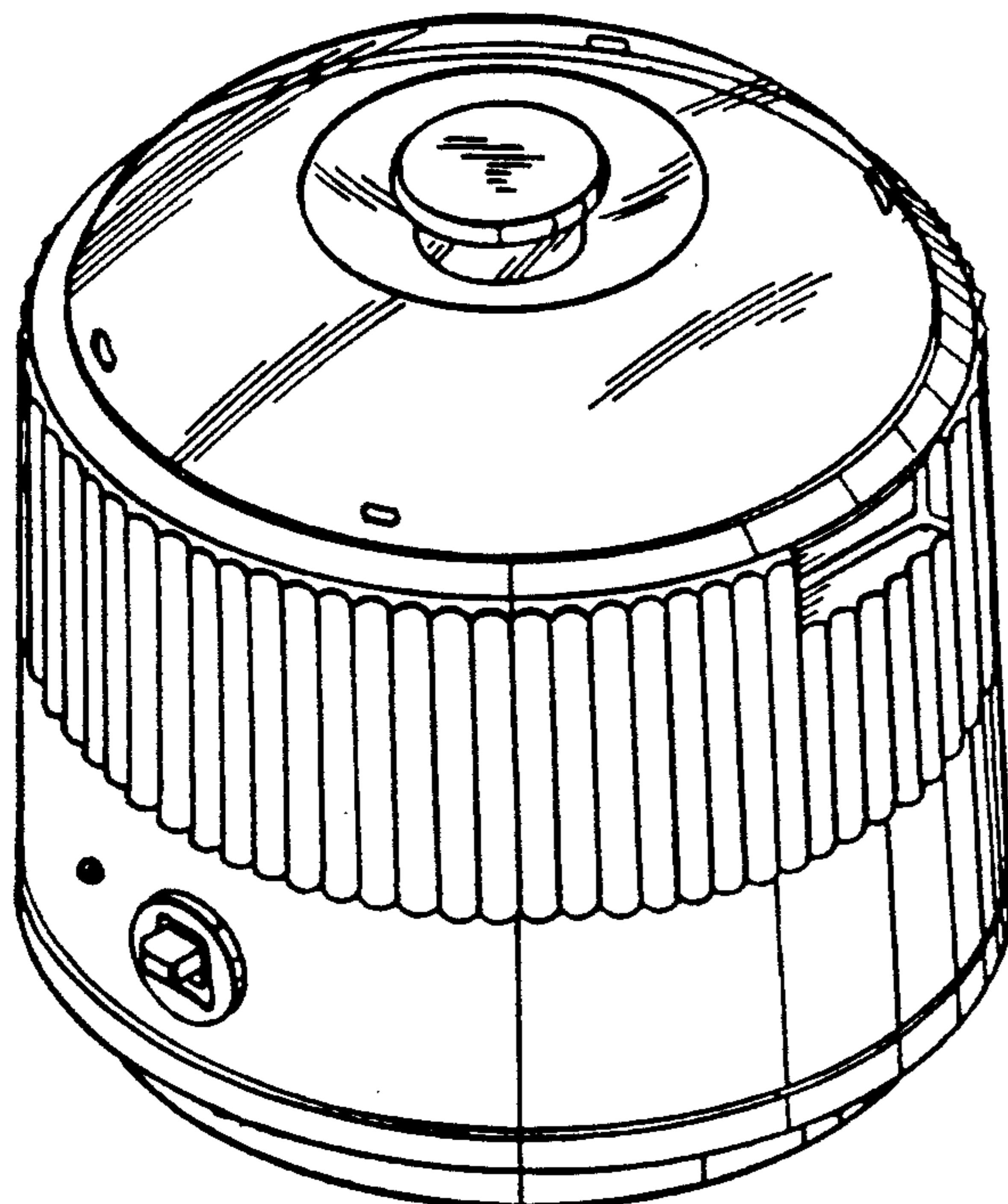
FIG. 6 is a bottom plan view thereof; and,

FIG. 7 is a top, front and right side perspective view of a second embodiment of a vegetable/rice steamer,

showing our new design, the only difference being that the manual reset switch of the embodiment shown in

FIGS. 1 through 6 is replaced by a timer knob in the embodiment of FIG. 7. The left side of the timer knob

is a mirror image of its right side.



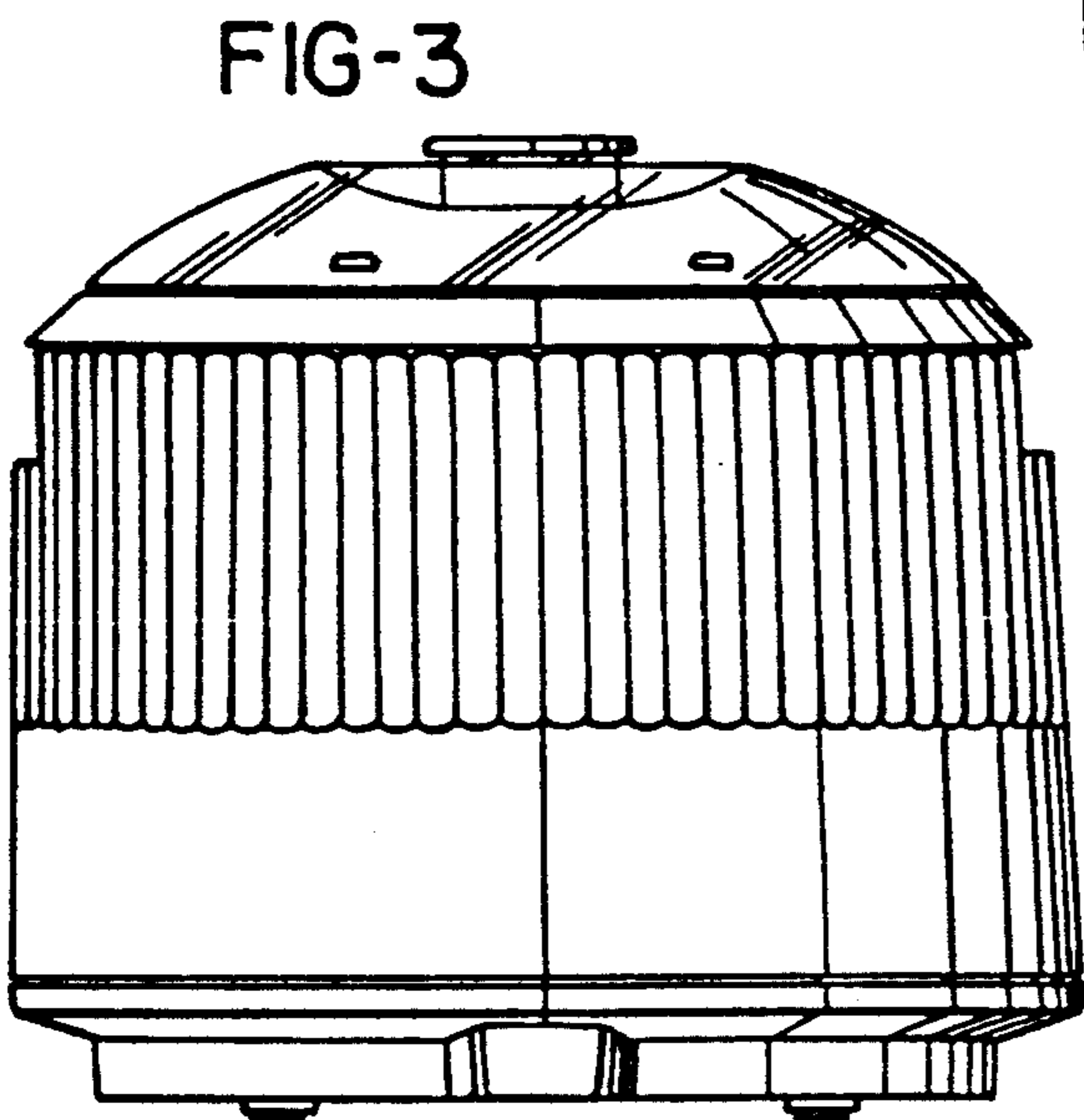
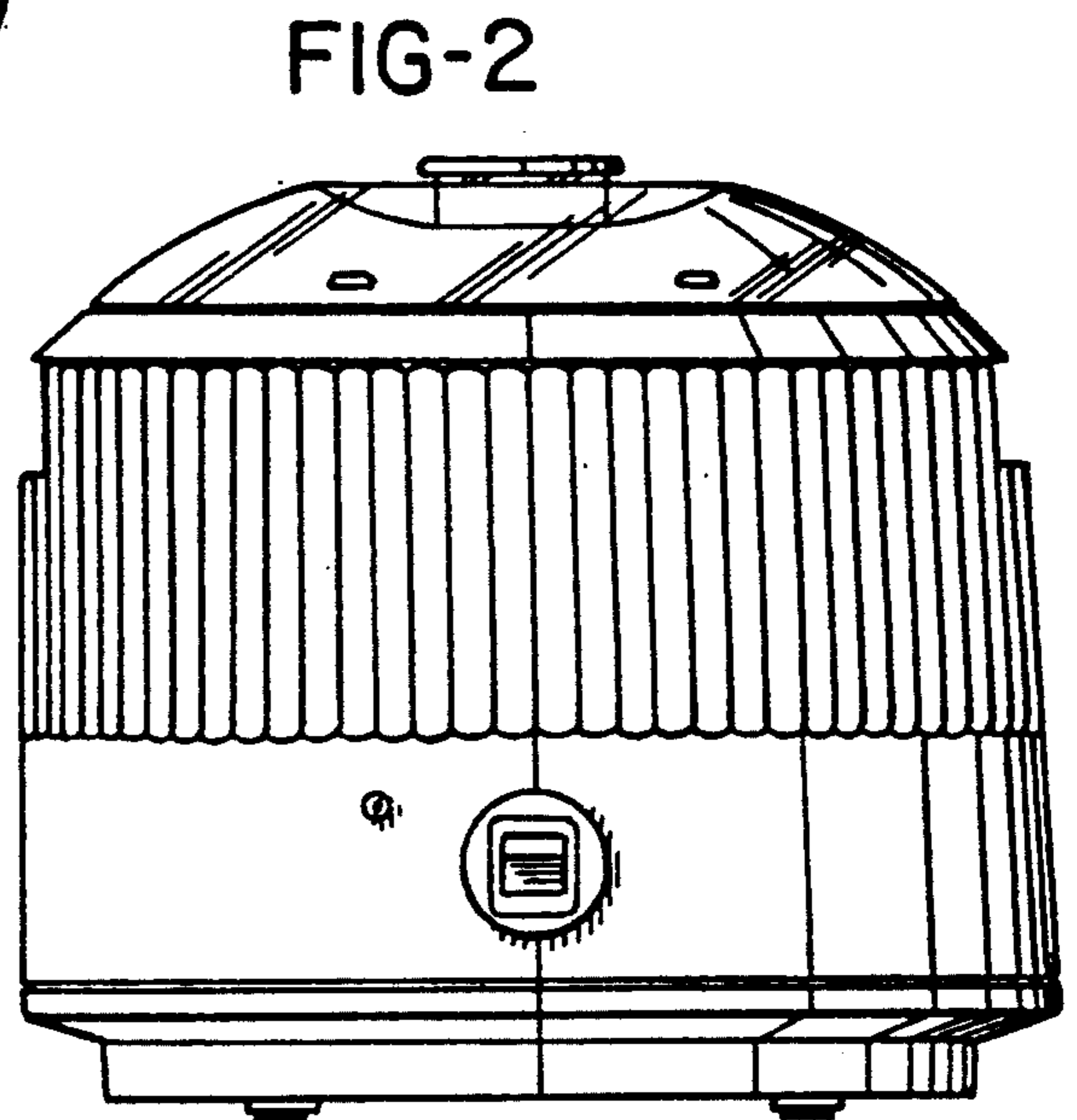
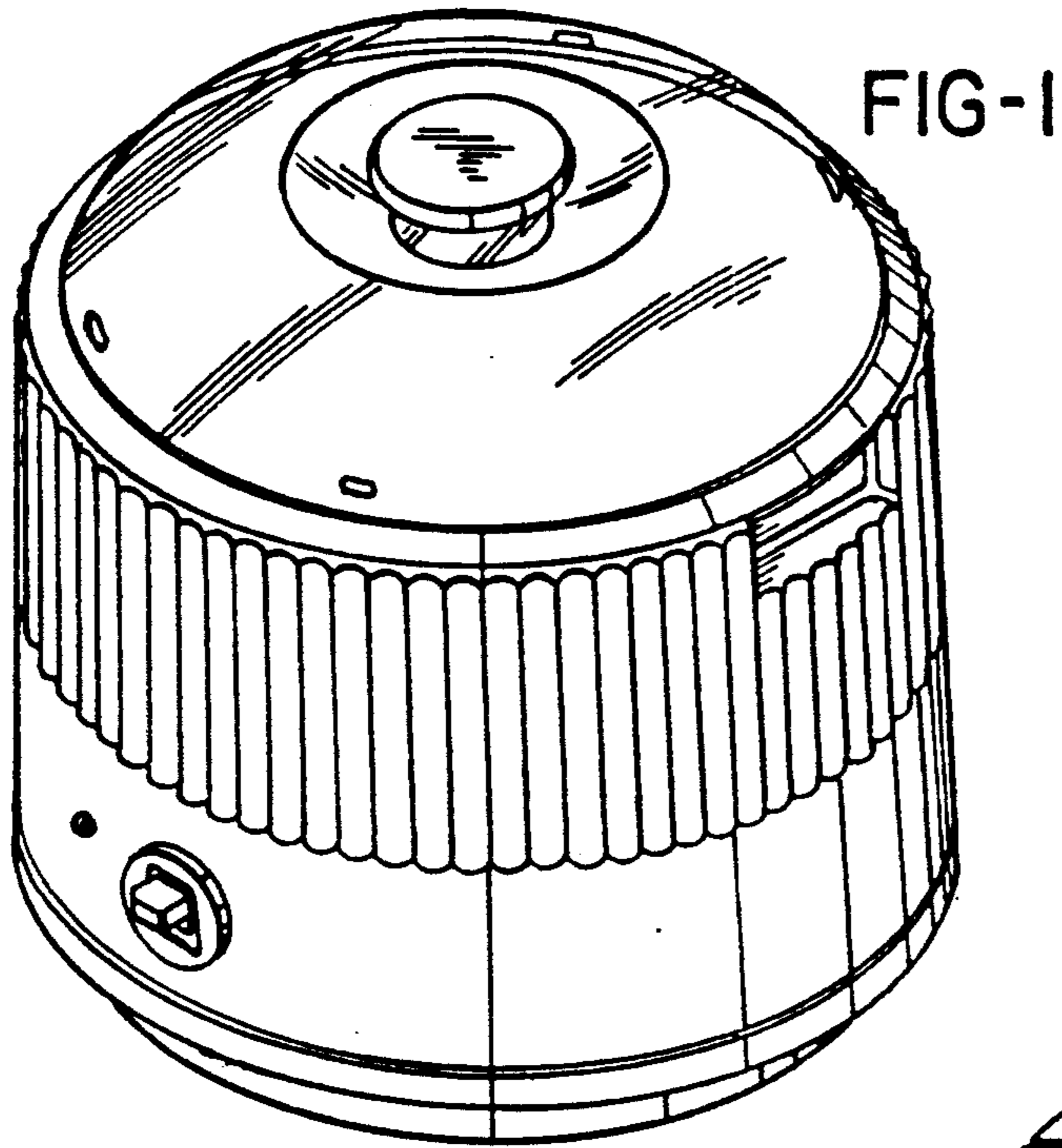


FIG-4

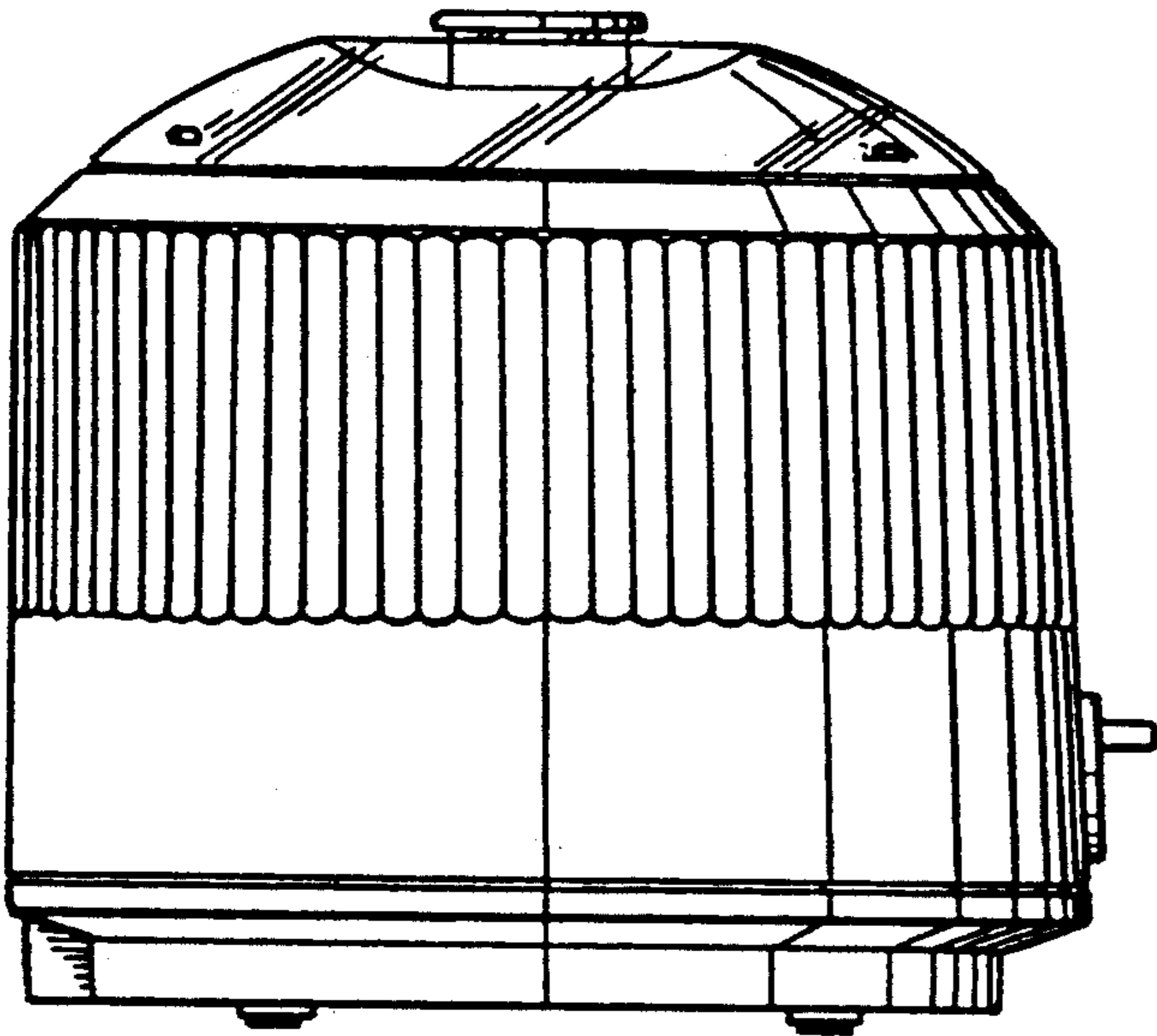


FIG-5

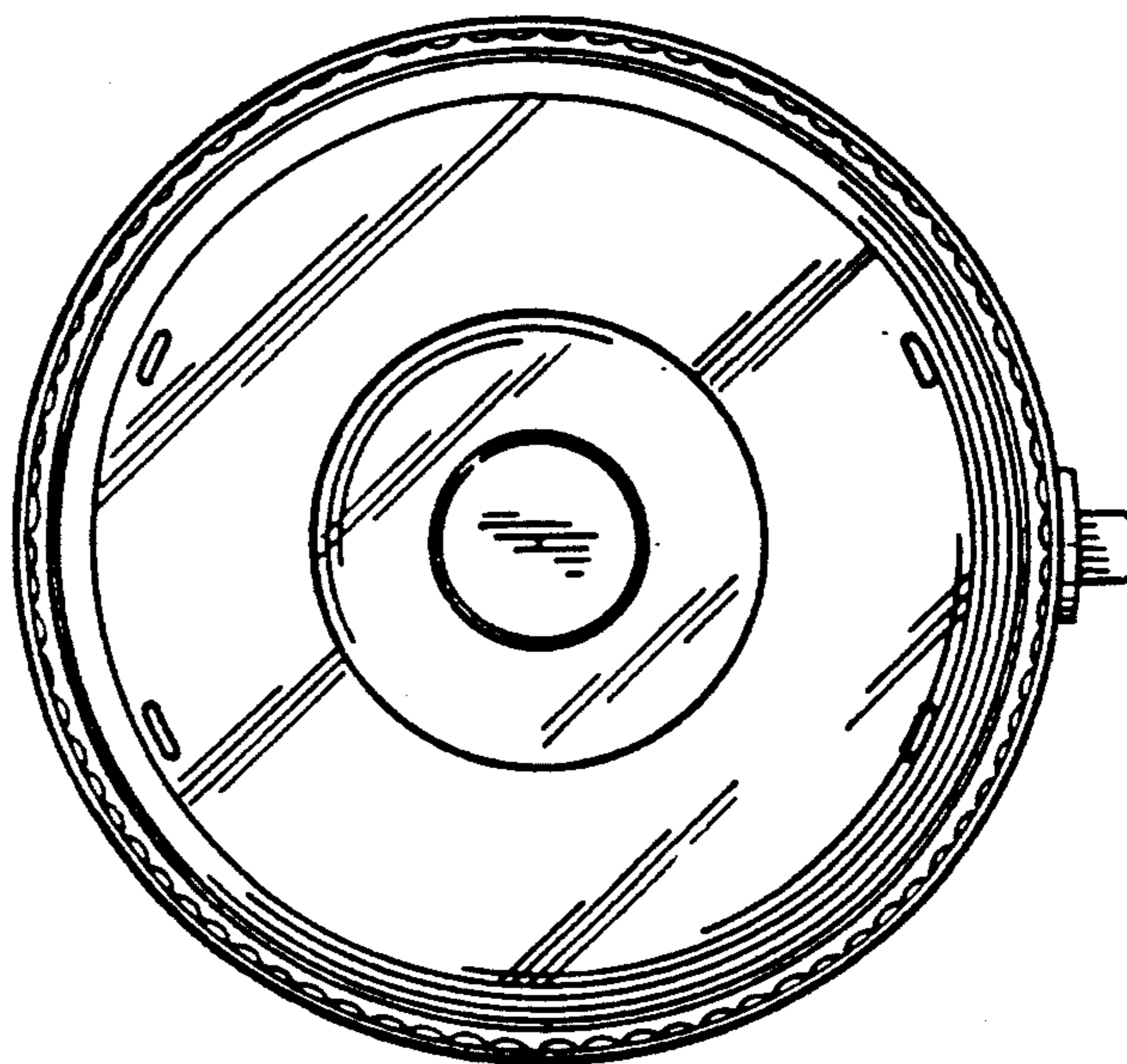
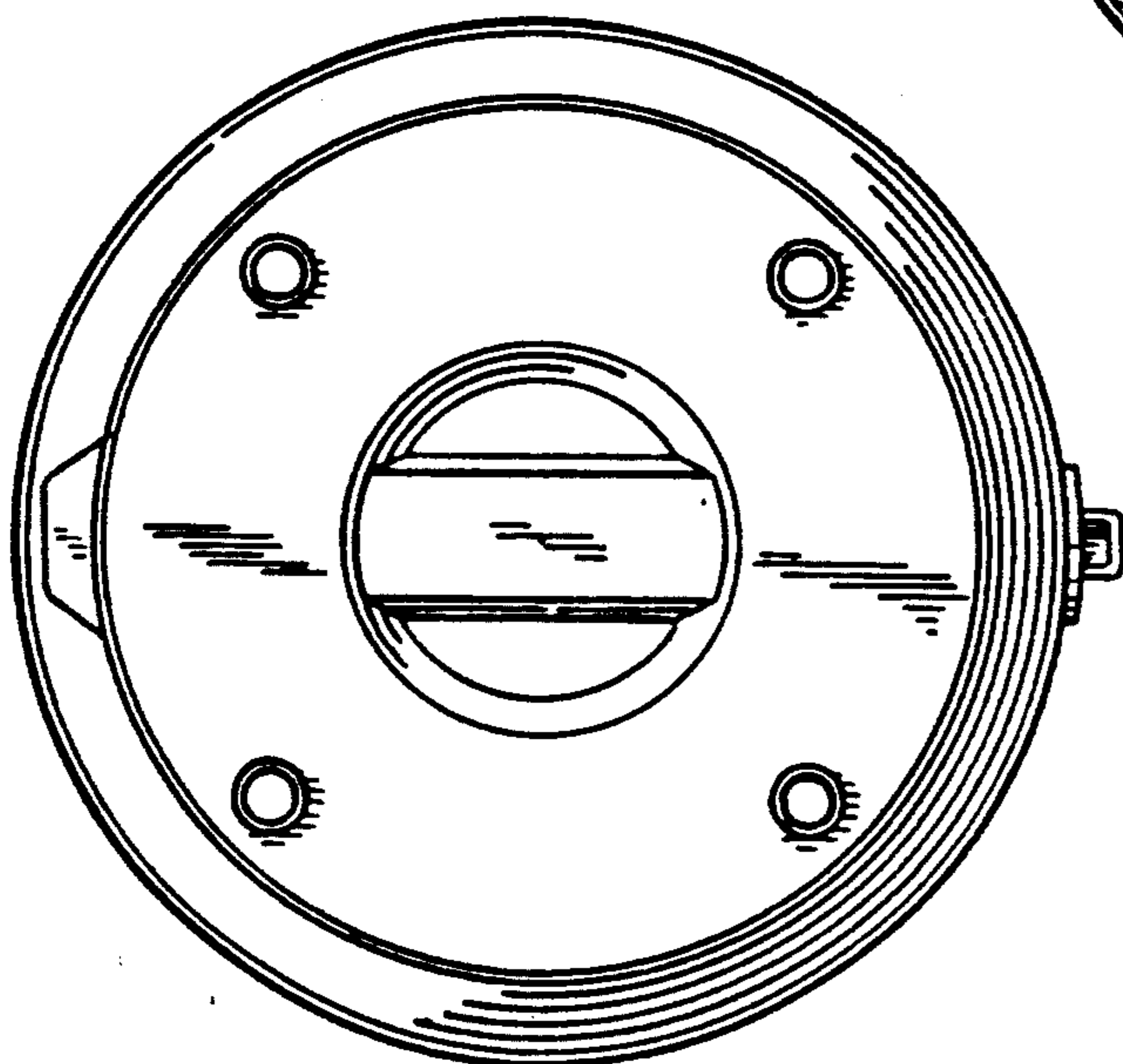


FIG-6



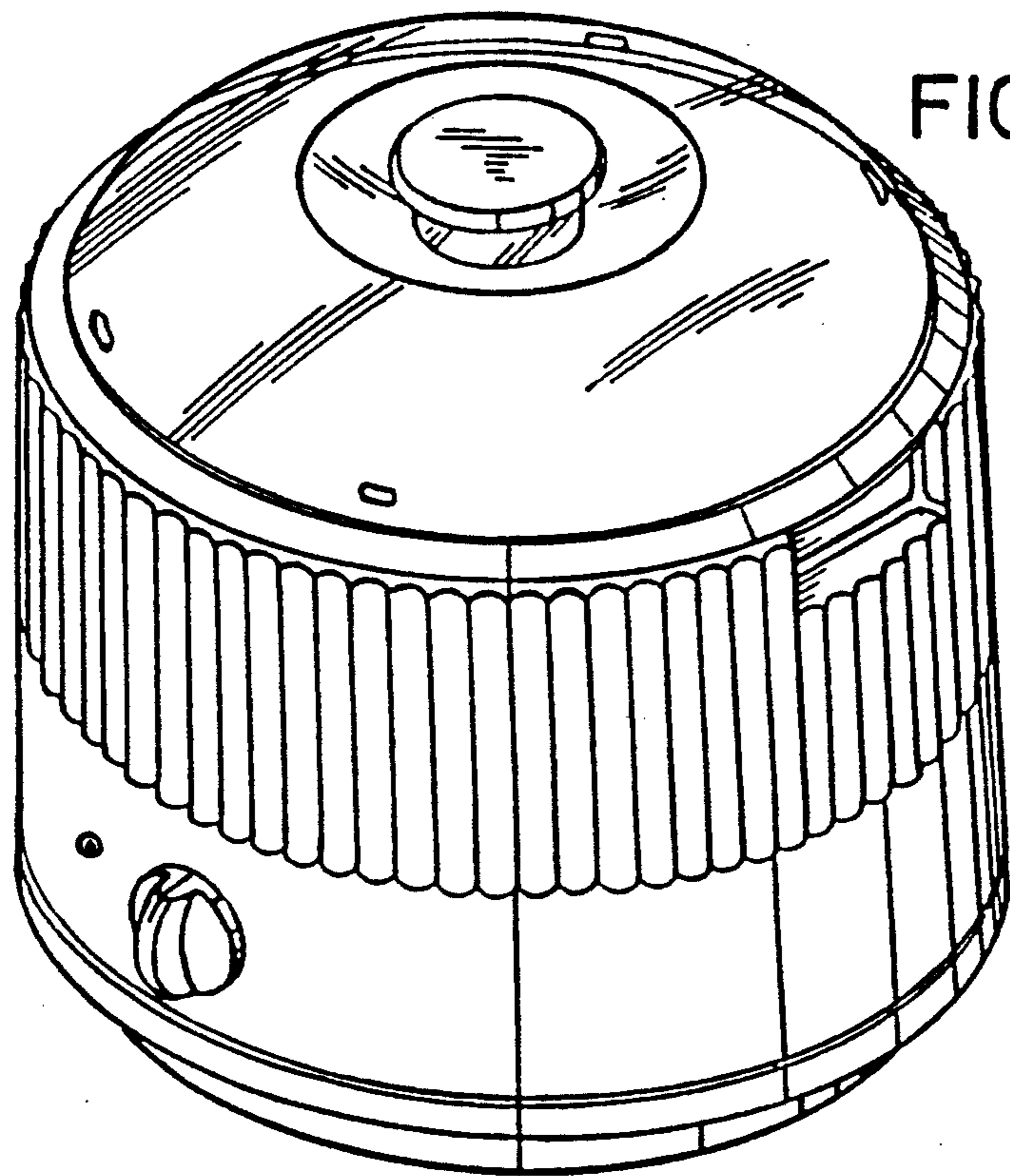


FIG-7