



US00D347349S

United States Patent [19]

[11] Patent Number: **Des. 347,349**

Burton

[45] Date of Patent: **** May 31, 1994**

- [54] **SODA FOUNTAIN POSTMIX BEVERAGE DISPENSER**
- [76] Inventor: **John W. Burton, #4 Woodland Dr., Pittsburgh, Pa. 15228**
- [**] Term: **14 Years**
- [21] Appl. No.: **888,217**
- [22] Filed: **May 22, 1992**
- [52] U.S. Cl. **D7/306; D7/300**
- [58] Field of Search **D7/387, 393, 394, 395, D7/300, 304, 306, 307, 308, 602, 309, 311, 305; 222/129.1, 185, 340; D15/79, 80, 81, 82; D23/207, 209; D20/1, 4**

- 3,664,550 5/1972 Carothers et al. 222/129.2
- 4,440,318 4/1984 Berger 222/129.1
- 4,493,441 1/1985 Sedam et al. 222/129.1

FOREIGN PATENT DOCUMENTS

WO89/12020 6/1988 World Int. Prop. O. .

Primary Examiner—Alan P. Douglas
Assistant Examiner—M. N. Pandozzi
Attorney, Agent, or Firm—Buchanan Ingersoll

[57] CLAIM

The ornamental design for a soda fountain postmix beverage dispenser, as shown and described.

DESCRIPTION

FIG. 1 is a perspective view of my beverage dispenser; FIG. 2 is a front elevational view of my beverage dispenser; FIG. 3 is a top plan view of my beverage dispenser; FIG. 4 is a right side elevational view of my beverage dispenser; FIG. 5 is a left side elevational view of my beverage dispenser; FIG. 6 is a bottom plan view of my beverage dispenser; and, FIG. 7 is a rear elevational view of my beverage dispenser. The partial showing of the beverage delivery hose in FIGS. 1, 3, 4, 5, 6 and 7 is shown partially broken away for convenience of illustration.

[56] **References Cited**
U.S. PATENT DOCUMENTS

- D. 106,328 10/1937 Schwab et al. D7/305
- D. 121,936 8/1940 Stephens D7/307
- D. 264,214 5/1982 Bowen et al. D7/307
- D. 292,017 9/1987 Tsuchida D23/207
- D. 293,758 1/1988 Balisteri D7/311 X
- 1,202,192 10/1916 Knight .
- 1,603,082 10/1926 Jabobs .
- 1,944,809 1/1934 Rogers 225/21
- 2,160,983 6/1939 Painter 225/21
- 2,982,446 5/1961 Liolios 222/145
- 3,141,573 7/1964 Patch 222/129.1
- 3,225,965 12/1965 Jacobs et al. 222/129.1
- 3,302,831 2/1967 Matheney 222/108
- 3,349,967 10/1967 Schneller 222/130

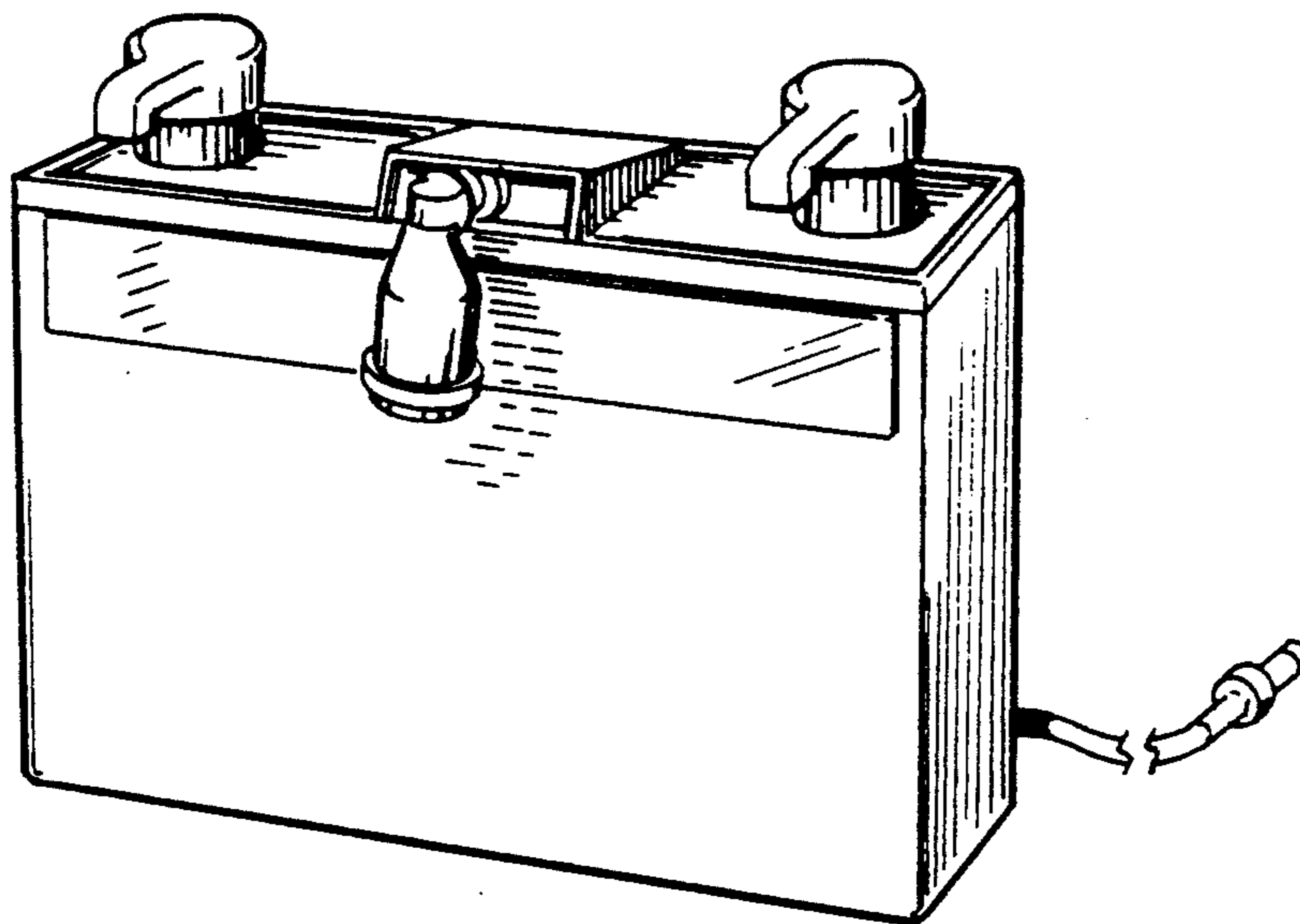


FIG. 1

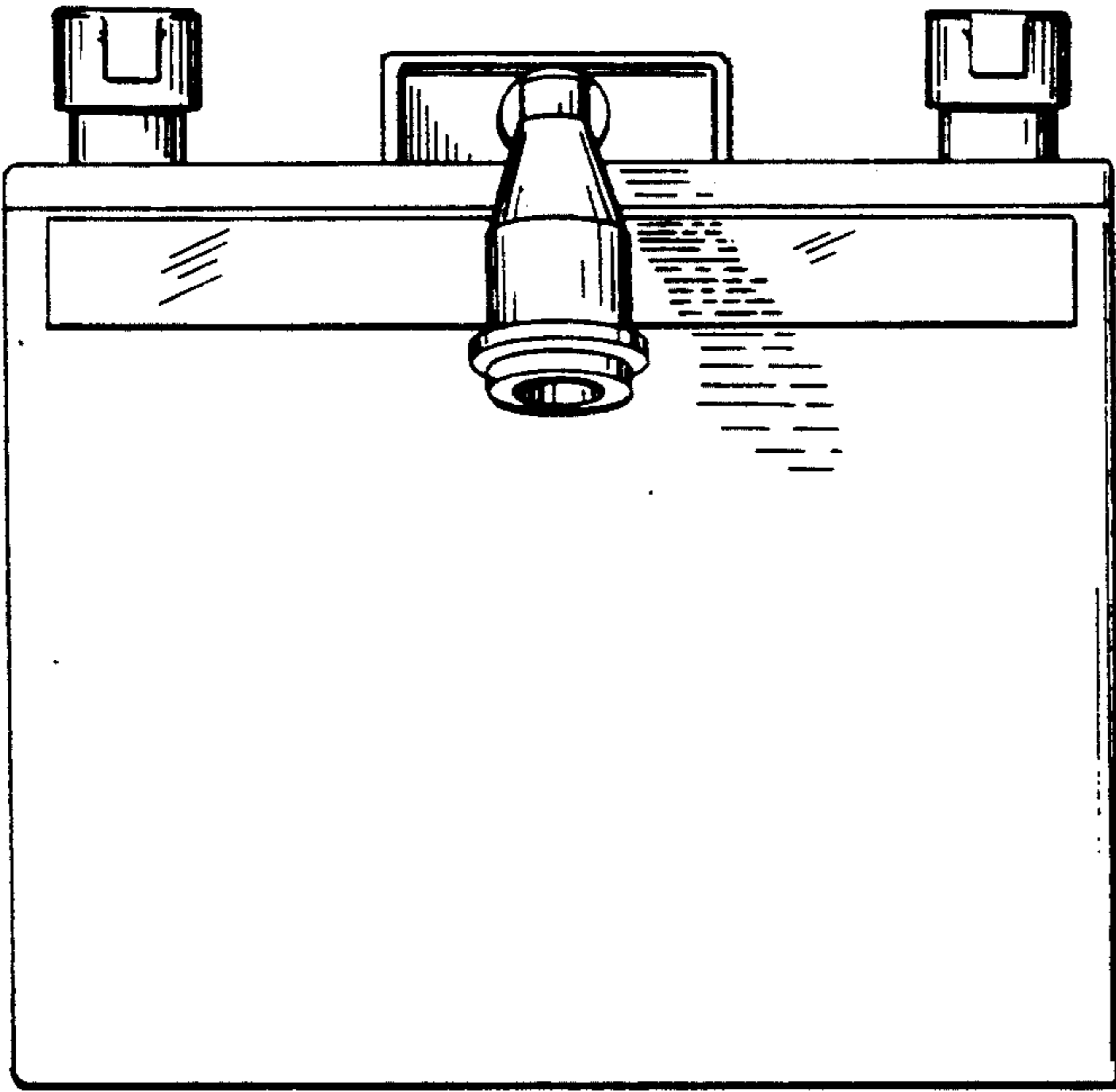
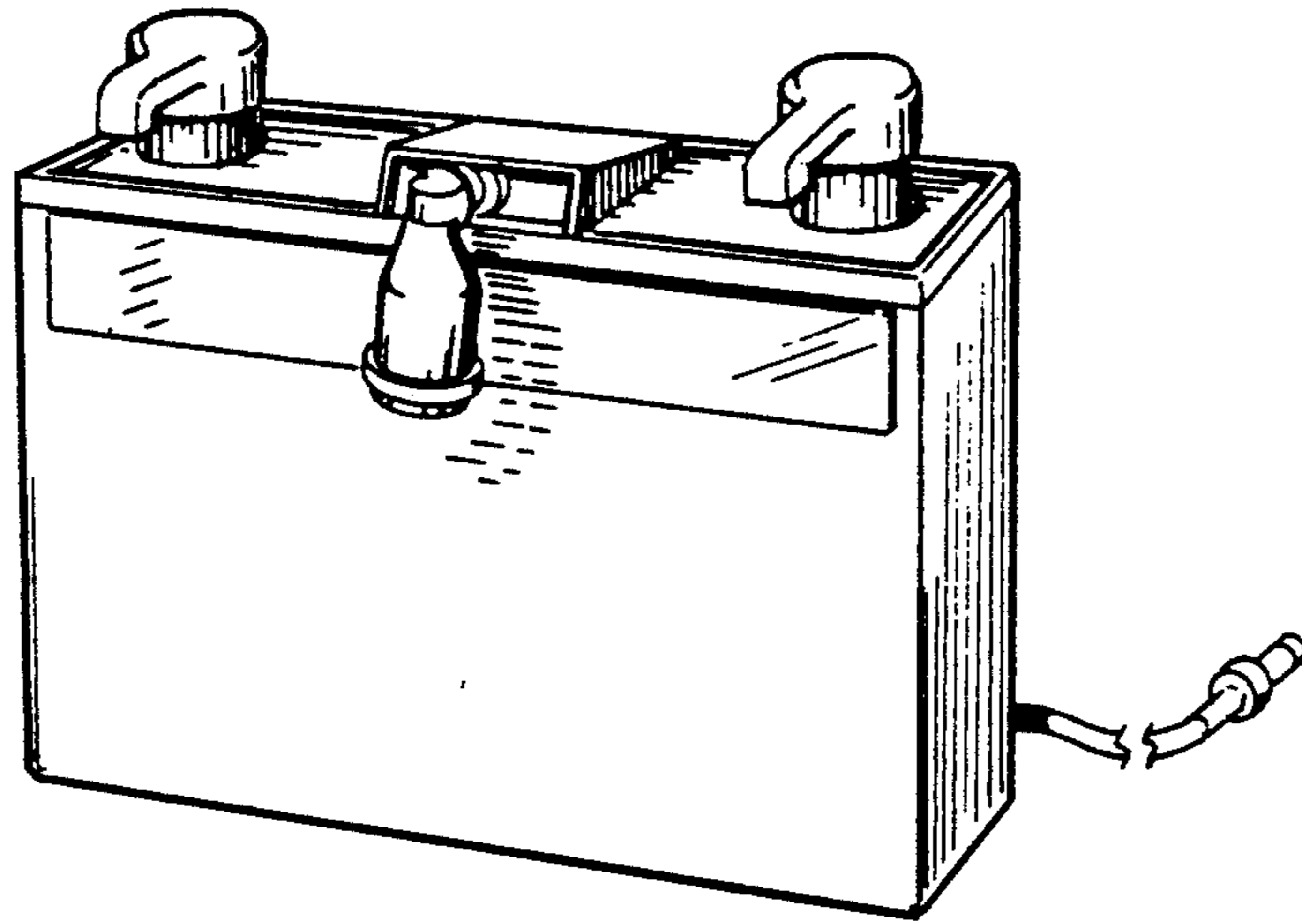


FIG. 2

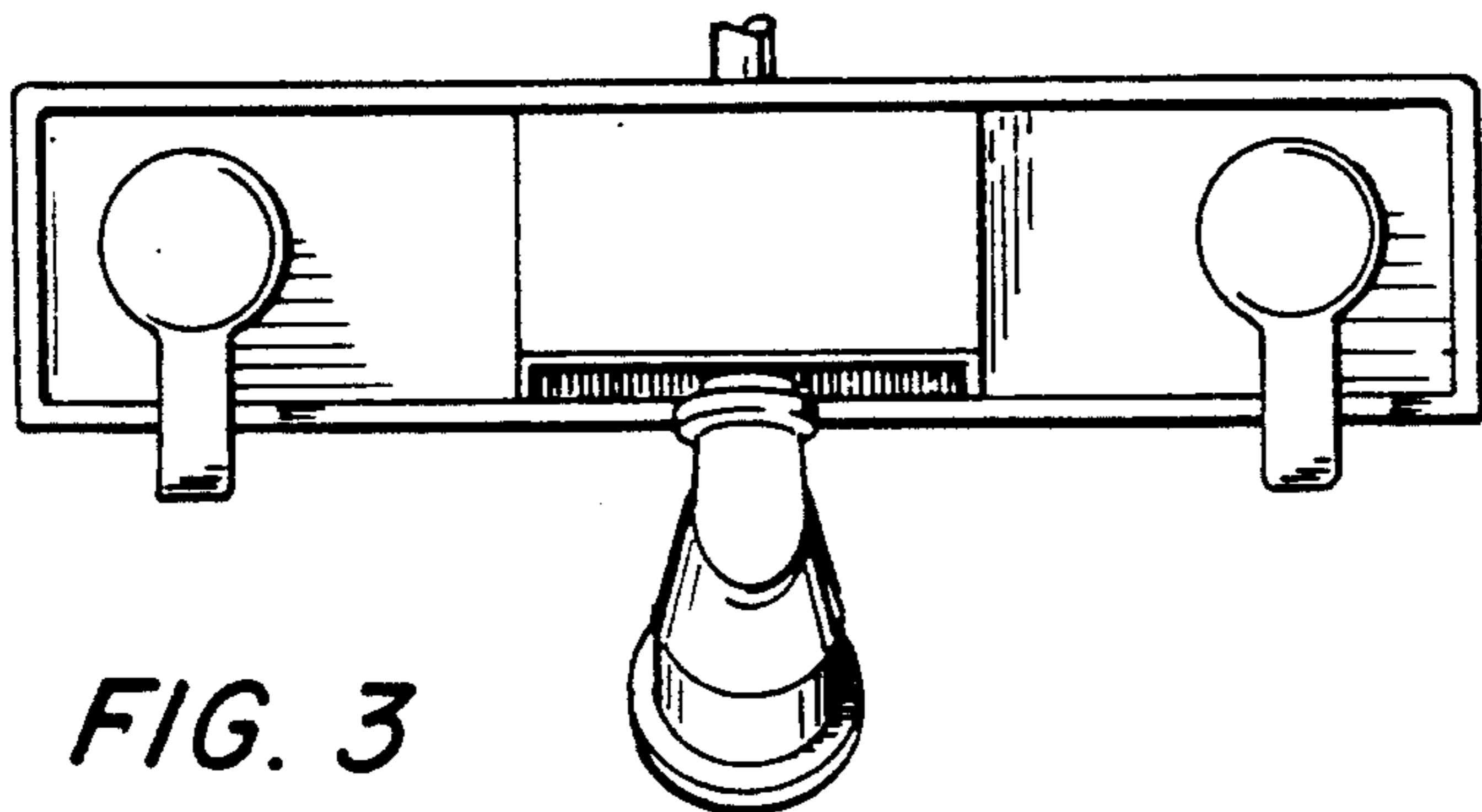


FIG. 3

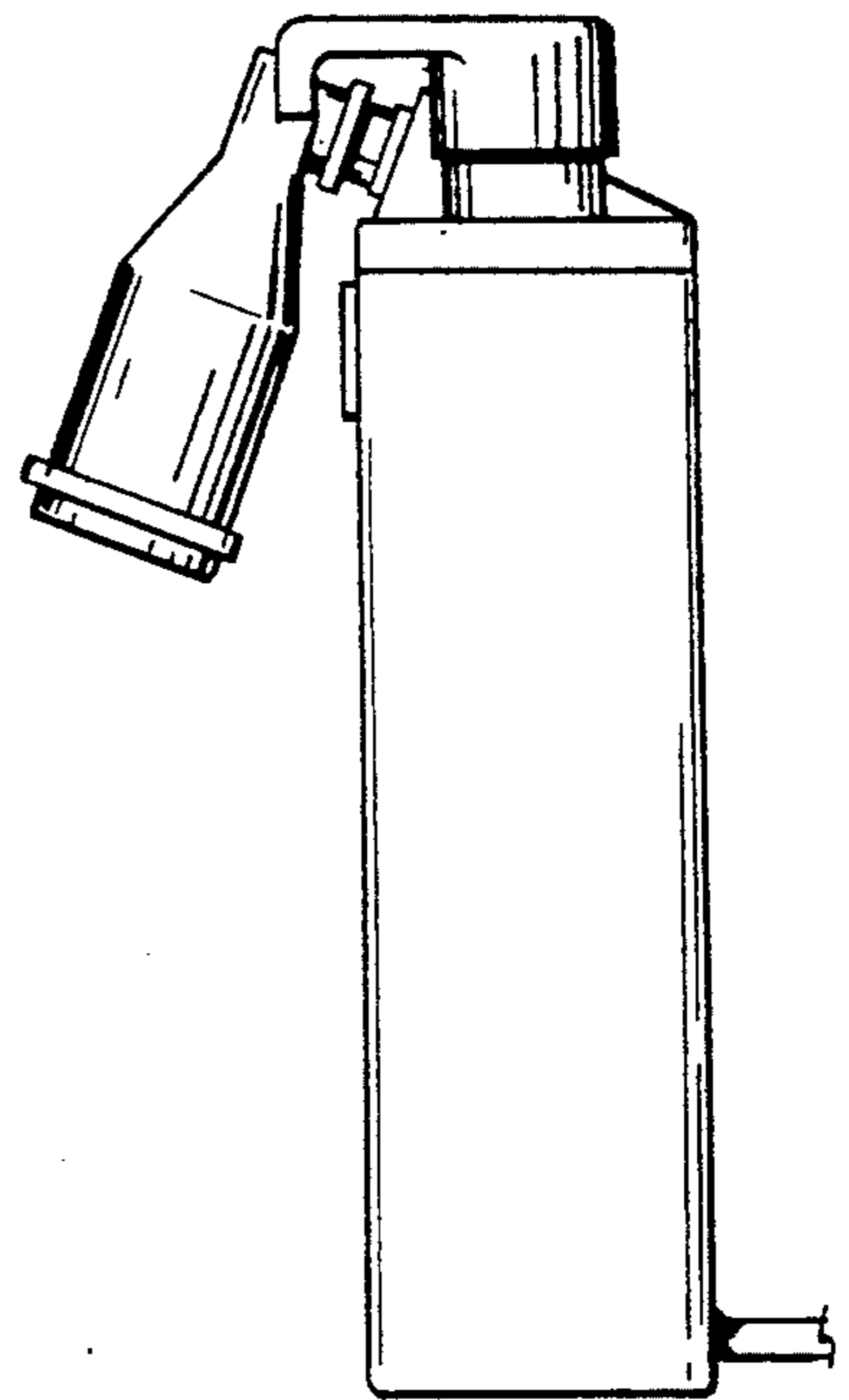


FIG. 4

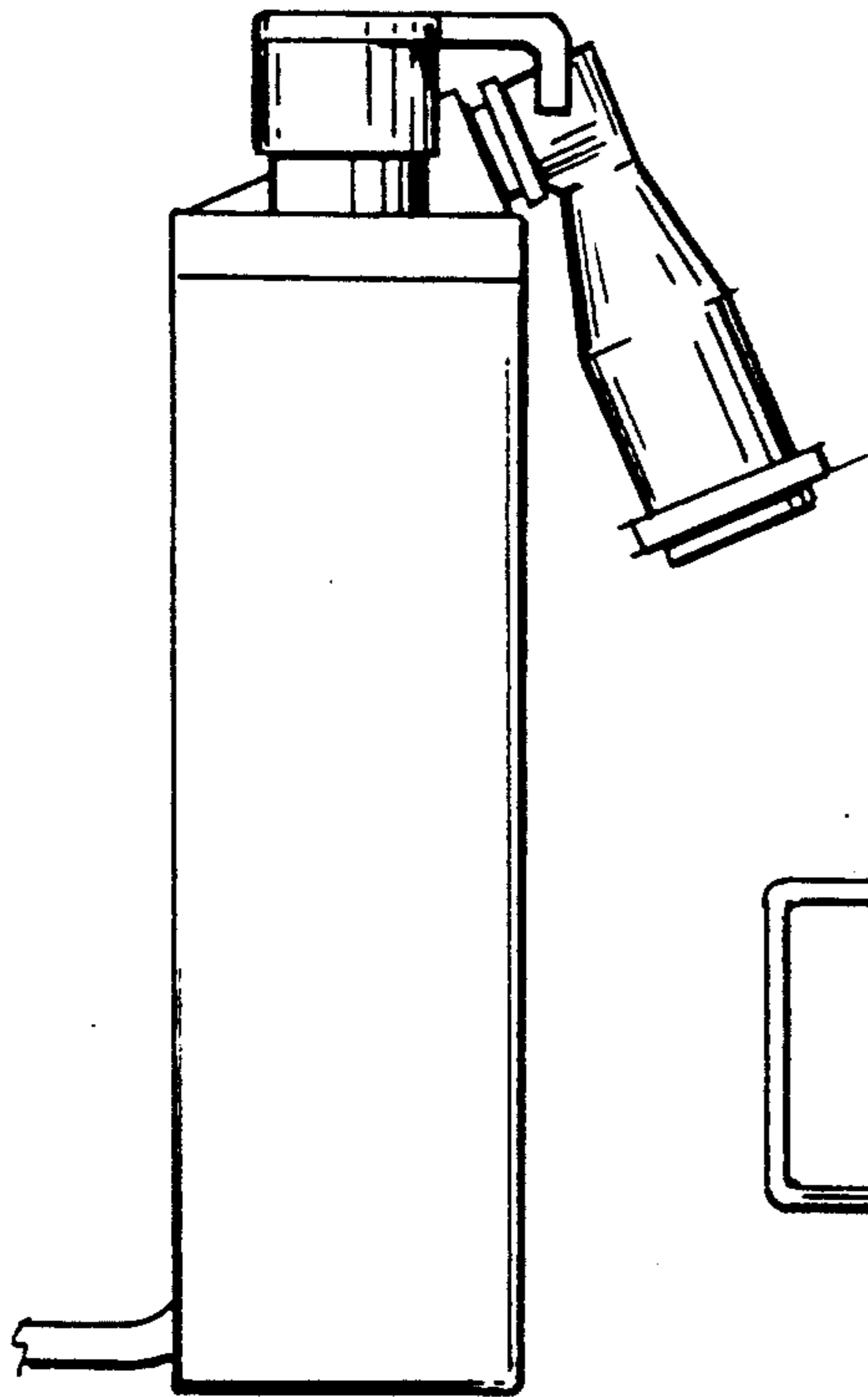


FIG. 5

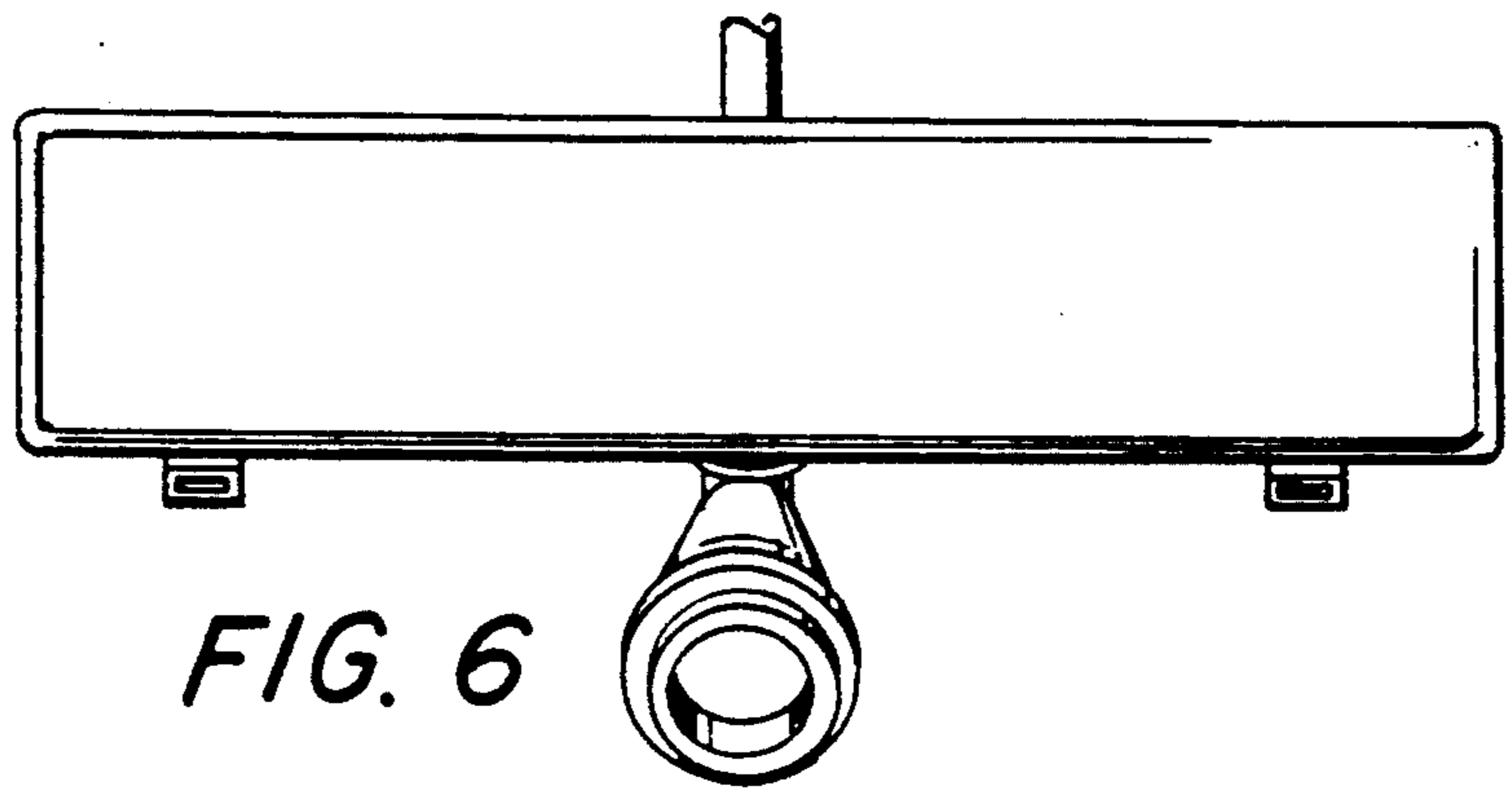


FIG. 6

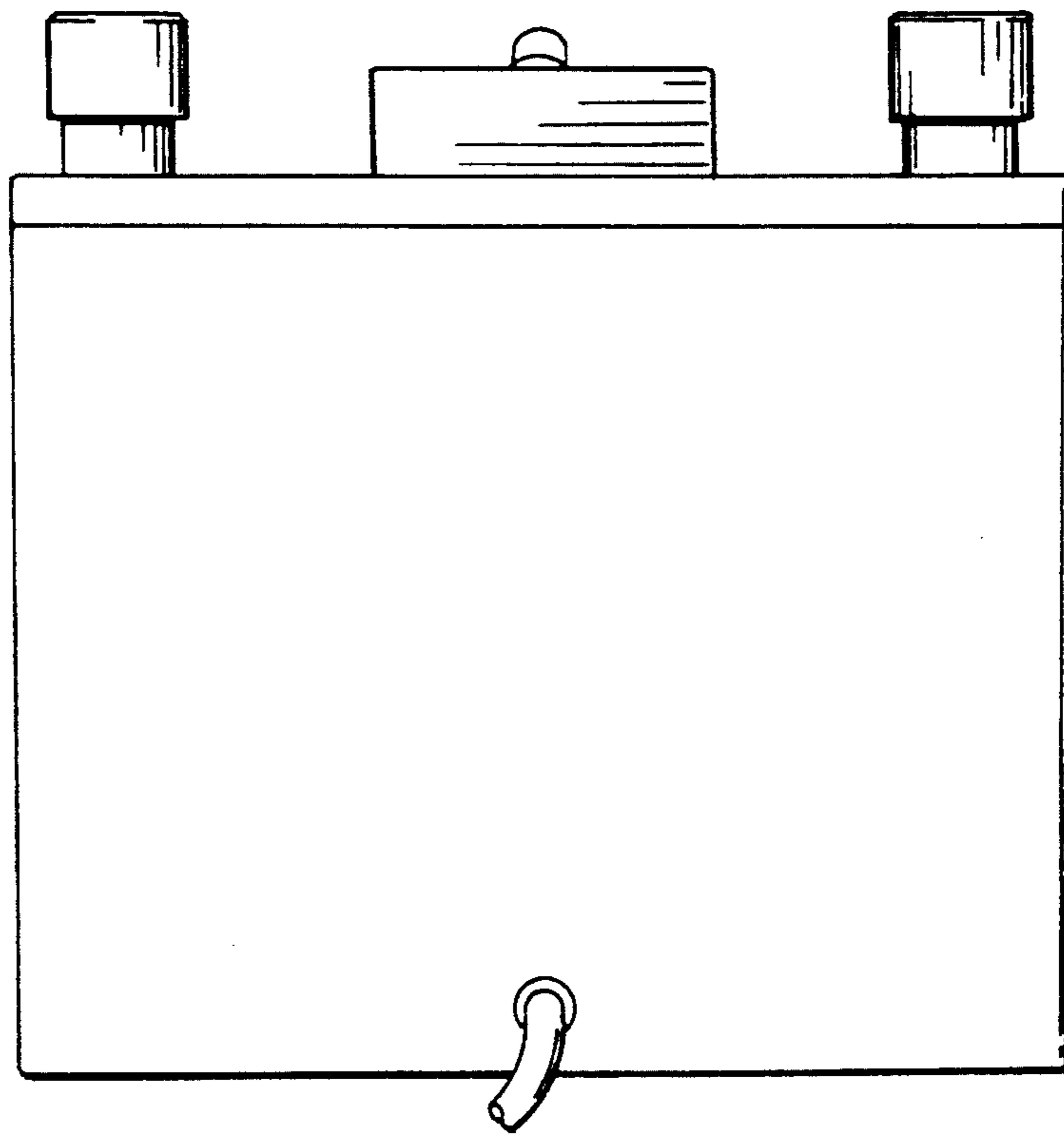


FIG. 7