



US00D347346S

United States Patent [19]

[11] Patent Number: **Des. 347,346**

Shames et al.

[45] Date of Patent: **** May 31, 1994**

[54] **COMBINED TOOTHBRUSH AND TUMBLER HOLDER**

[76] Inventors: **Sidney J. Shames**, 57 Holly Pl., Briarcliff Manor, N.Y. 10510; **Harold Shames**, 5 Agnes Cir., Ardsley, N.Y. 10502

[**] Term: **14 Years**

[21] Appl. No.: **884,548**

[22] Filed: **May 15, 1992**

[52] U.S. Cl. **D6/531; D6/534; D6/535**

[58] Field of Search **D6/524, 527-528, D6/531, 534, 535; 211/13, 86-87, 80, 134; 108/150-152; 248/305.1, 311.2, 360**

[56] **References Cited**

U.S. PATENT DOCUMENTS

- D. 294,905 3/1988 Fayerman et al. .
- D. 294,906 3/1988 Pool D6/540 X

- D. 298,710 11/1988 Fayerman et al. .
- D. 299,095 12/1988 Gresens et al. D6/536 X
- D. 299,096 12/1988 Fayerman et al. .
- D. 306,811 3/1990 DeLeon D6/527 X
- D. 312,183 11/1990 Chap et al. D6/531
- D. 330,137 10/1992 Sharpe D6/531
- D. 337,681 7/1993 Sharpe D6/531

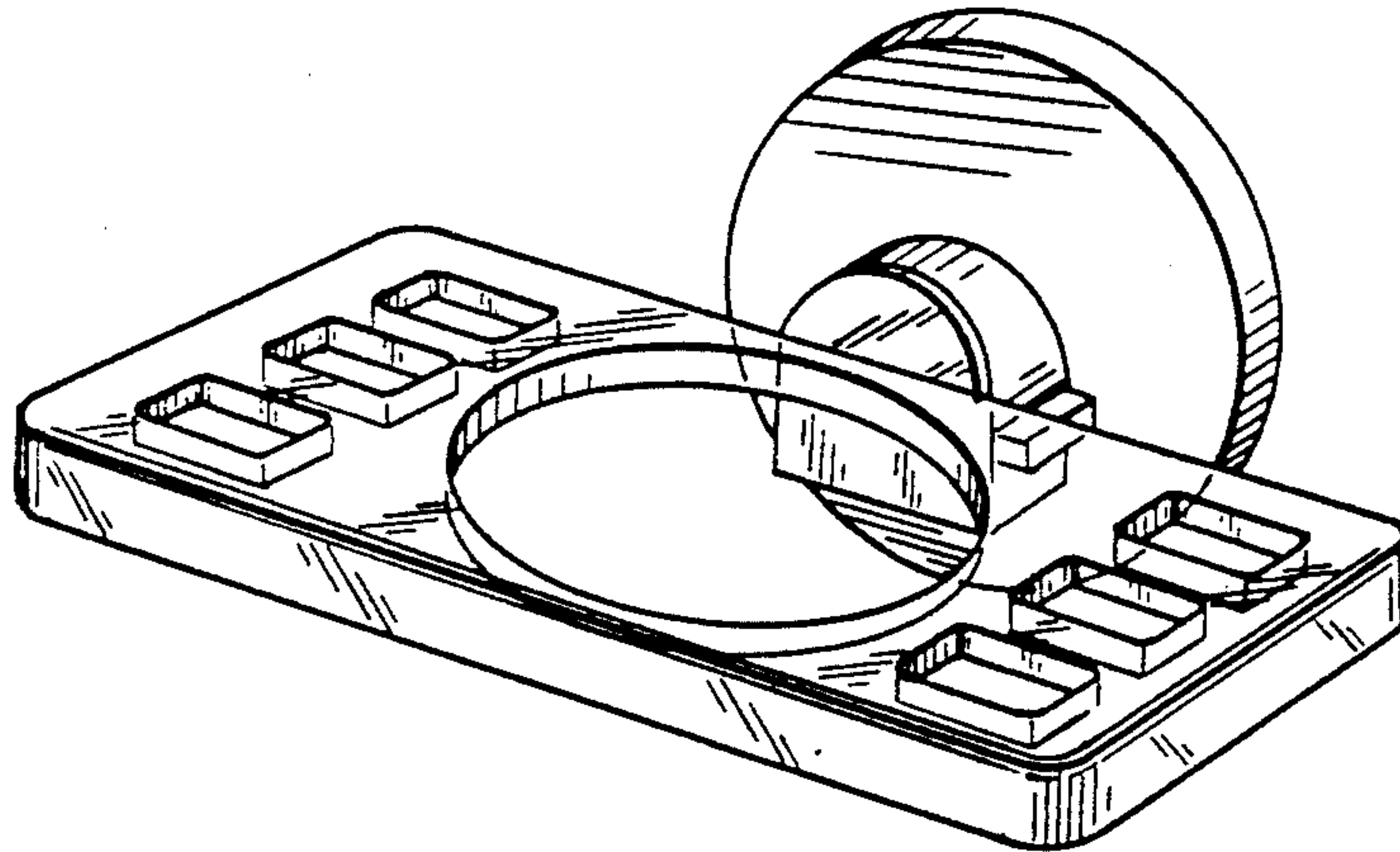
Primary Examiner—Brian N. Vinson
Attorney, Agent, or Firm—Bullwinkel Partners, Ltd.

[57] **CLAIM**

The ornamental design for a combined toothbrush and tumbler holder, as shown and described.

DESCRIPTION

FIG. 1 is a perspective view of a combined toothbrush and tumbler holder showing our new design; FIG. 2 is a top plan thereof; FIG. 3 is a left side elevational view thereof, the opposite side being a mirror image; FIG. 4 is a front elevational view thereof; and, FIG. 5 is a bottom plan view thereof.



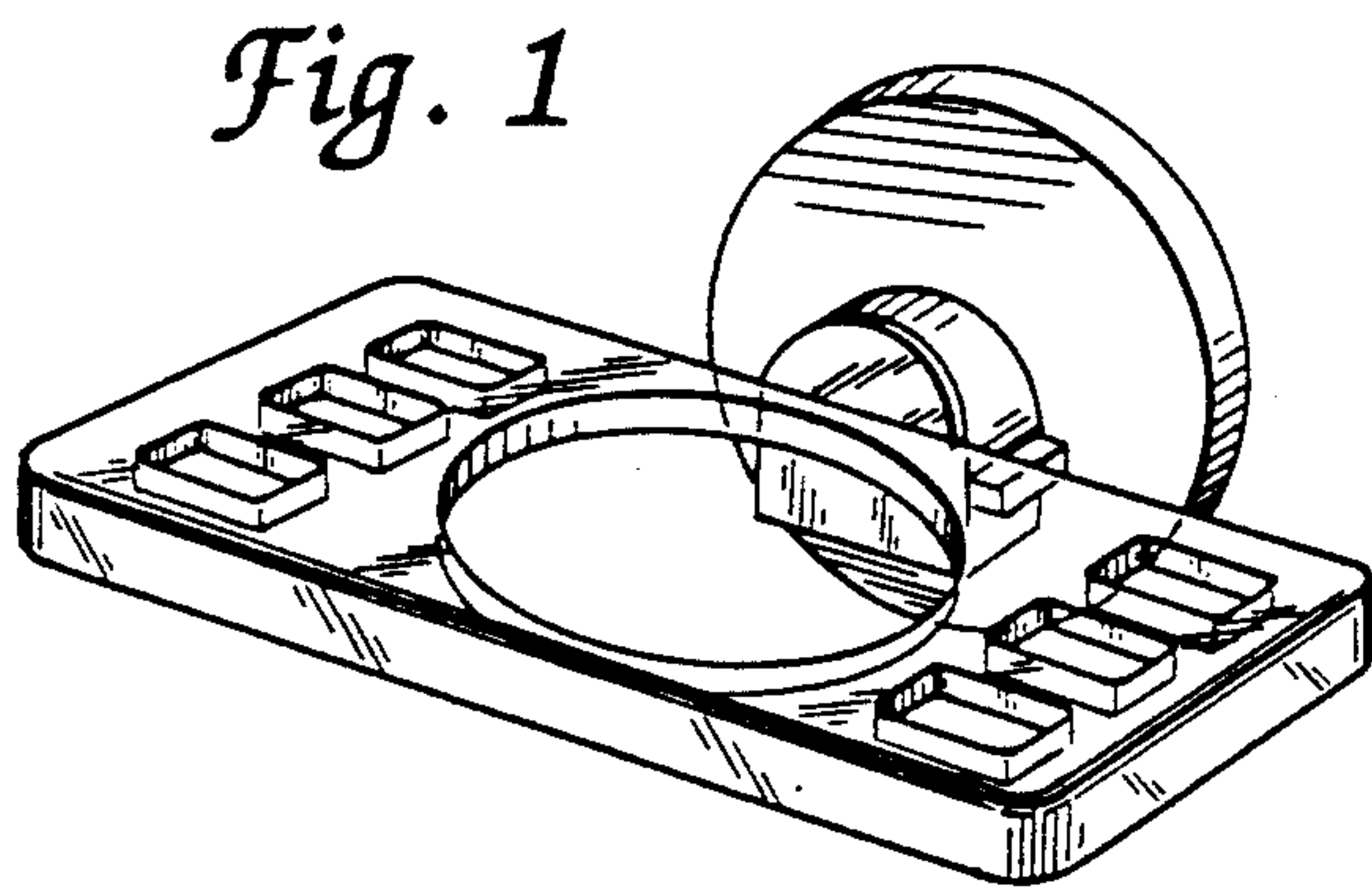


Fig. 2

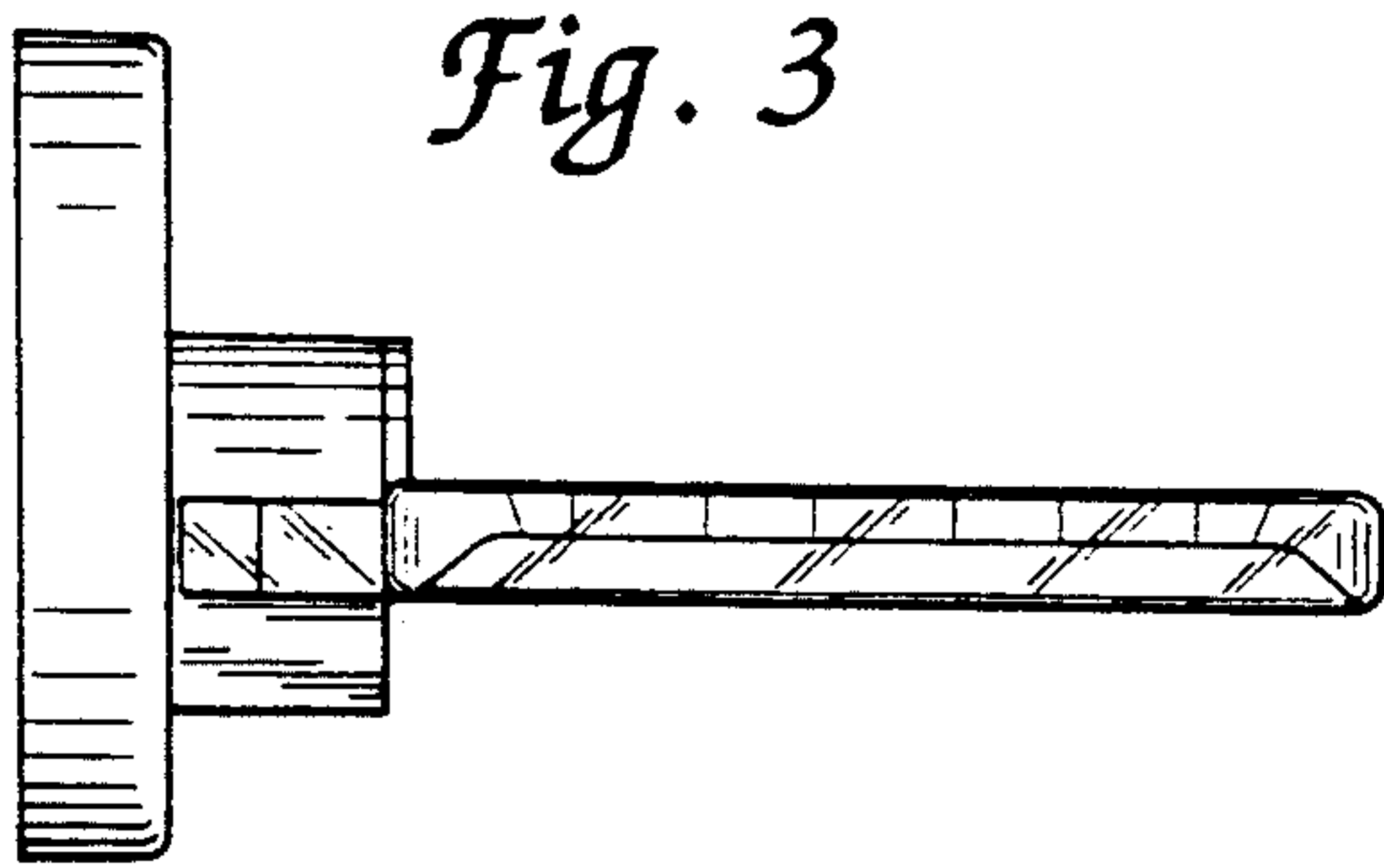
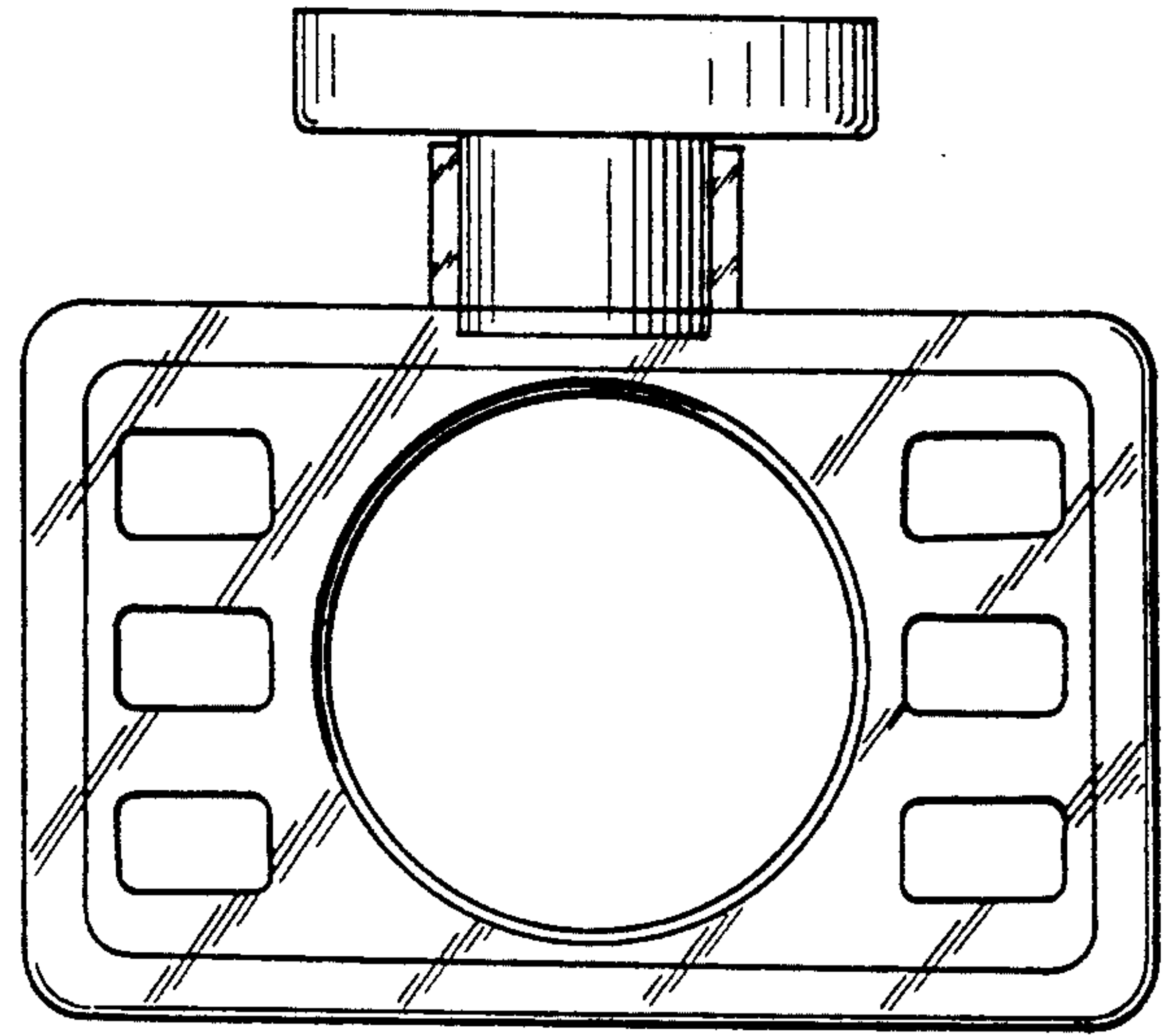


Fig. 4

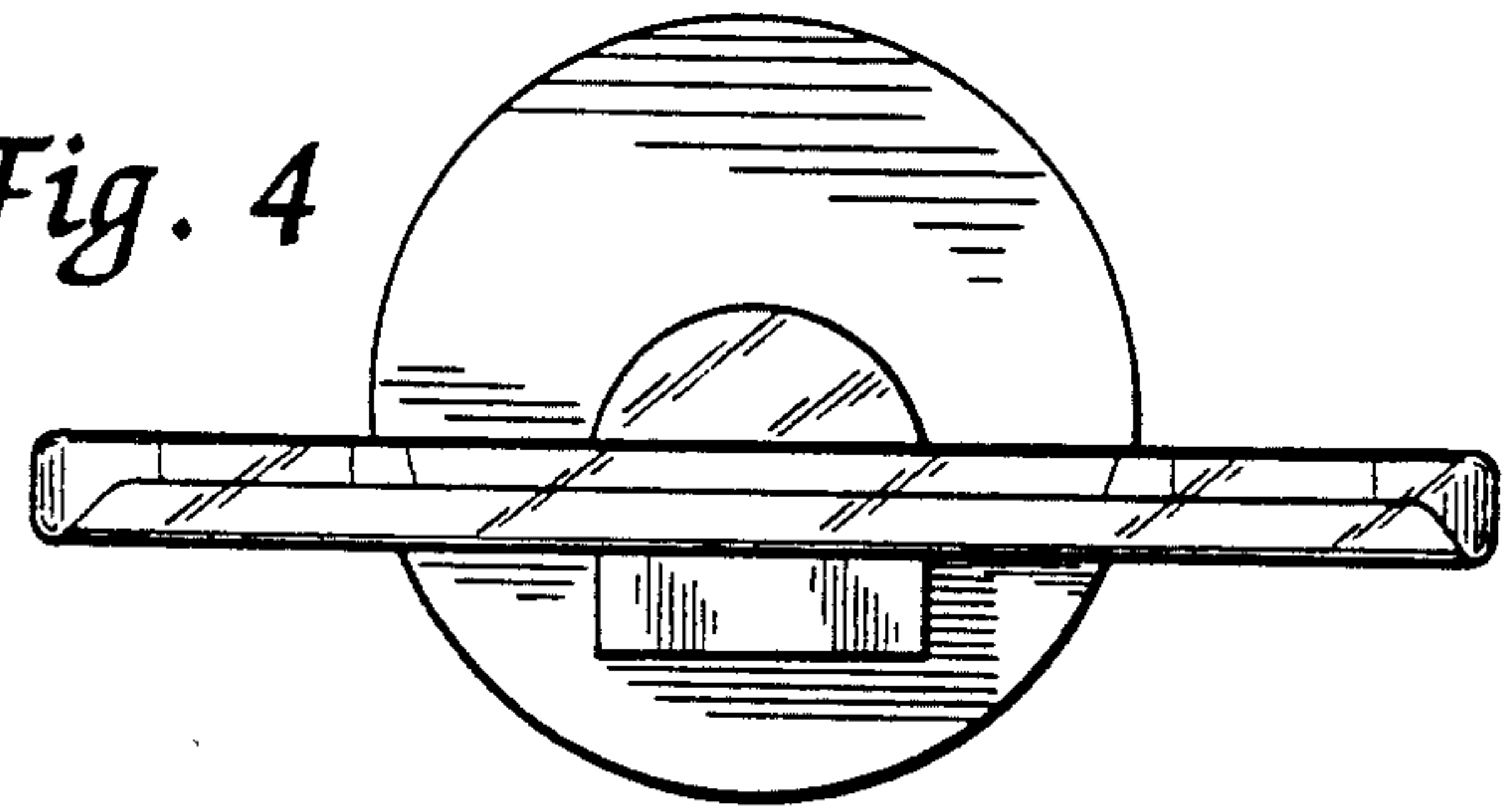


Fig. 5

