



US00D347345S

# United States Patent [19]

[11] Patent Number: **Des. 347,345**

**Kaiser et al.**

[45] Date of Patent: **\*\* May 31, 1994**

[54] **ROLL FILM DISPENSER**

[75] Inventors: **Ian R. Kaiser**, Encinitas; **Michael C. Kaiser**, Malibu; **Sean A. Neiberger**, La Costa, all of Calif.

[73] Assignee: **Allen Reed Company, Incorporated**, Los Angeles, Calif.

[\*\*] Term: **14 Years**

[21] Appl. No.: **1,844**

[22] Filed: **Nov. 23, 1992**

[52] U.S. Cl. .... **D6/518**

[58] Field of Search ..... **D6/515, 518, 522; 242/552, 55.3, 55.42, 55.53, 55.54; 312/34.1, 34.8**

4,754,674 7/1988 Perlman ..... 83/422  
 4,762,042 8/1988 Denter et al. .... 83/374  
 4,787,284 11/1988 Chen ..... 83/614  
 4,951,858 8/1990 Krall ..... 225/19  
 4,957,023 9/1990 Chen ..... 83/372  
 4,960,022 10/1990 Chuang ..... 83/175  
 4,967,628 11/1990 Judd et al. .... 83/455  
 5,025,692 6/1991 Reynolds ..... 83/468  
 5,036,740 8/1991 Tsai ..... 83/455  
 5,044,241 9/1991 Labrecque ..... 83/489

### OTHER PUBLICATIONS

Photographs of Reynolds Klik-Cut™ Film Dispenser (Undated).

Photographs of Tablecraft Ken-Kut™ Safety Dispenser (Undated).

*Primary Examiner*—Brian N. Vinson  
*Attorney, Agent, or Firm*—D'Alessandro, Frazzini & Ritchie

### [56] References Cited

#### U.S. PATENT DOCUMENTS

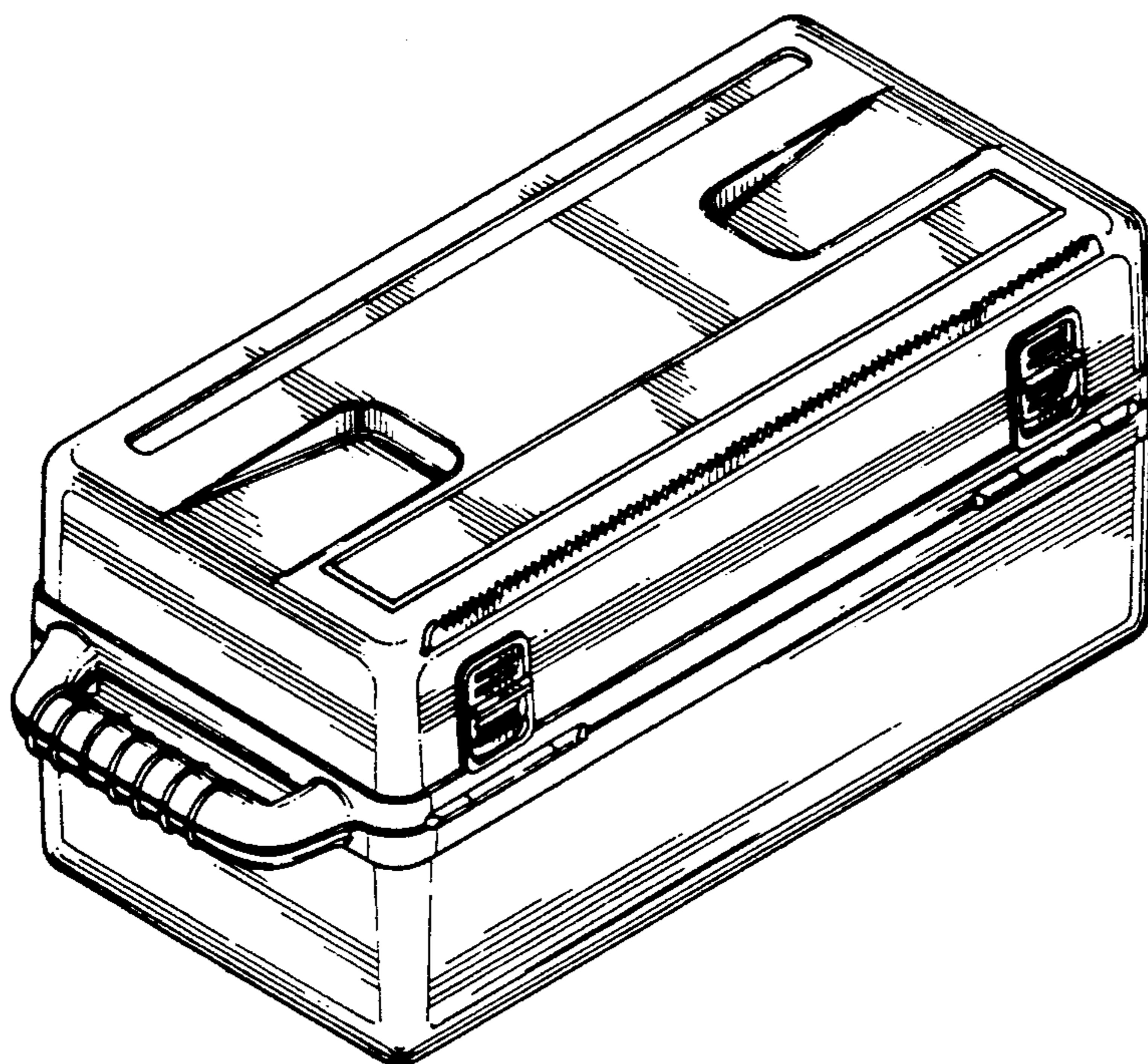
D. 215,671	10/1969	Knight, Jr. et al. ....	D6/518
D. 272,021	1/1984	Ruff .....	D6/518
D. 276,579	12/1984	Gordon et al. ....	D6/518
2,550,209	4/1951	Tuttle .....	242/55.3
3,034,690	5/1962	Klun .....	225/19
4,325,117	4/1982	Urion .....	29/450
3,567,087	3/1971	Schramm .....	225/43
3,688,625	9/1972	Thomas et al. ....	83/614
3,851,809	12/1974	McKibbin .....	225/20
4,119,251	10/1978	Golner et al. ....	225/20
4,156,382	5/1979	Baker .....	93/33
4,170,914	10/1979	Carrier .....	83/580
4,196,647	4/1980	Fish .....	83/175
4,197,774	4/1980	Singh et al. ....	83/374
4,210,043	7/1980	Urion et al. ....	83/175
4,245,536	1/1981	Urion .....	83/821
4,417,495	11/1983	Gordon et al. ....	83/175
4,651,911	3/1987	Kirkup et al. ....	225/20

### CLAIM

[57] Th ornamental design for a roll film dispenser, as shown and described.

### DESCRIPTION

FIG. 1 is a top, front, and left side perspective view of a roll film dispenser showing our new design; FIG. 2 is an enlarged front elevational view thereof; FIG. 3 is an enlarged rear elevational view thereof; FIG. 4 is an enlarged left side elevational view thereof, the right side being a mirror image of that shown; FIG. 5 is an enlarged top plan view thereof; FIG. 6 is an enlarged bottom plan view thereof; FIG. 7 is a horizontal cross-sectional view thereof, taken along line 7—7 of FIG. 5; and, FIG. 8 is a front elevational view thereof, with the cutting blade shown in retracted position.



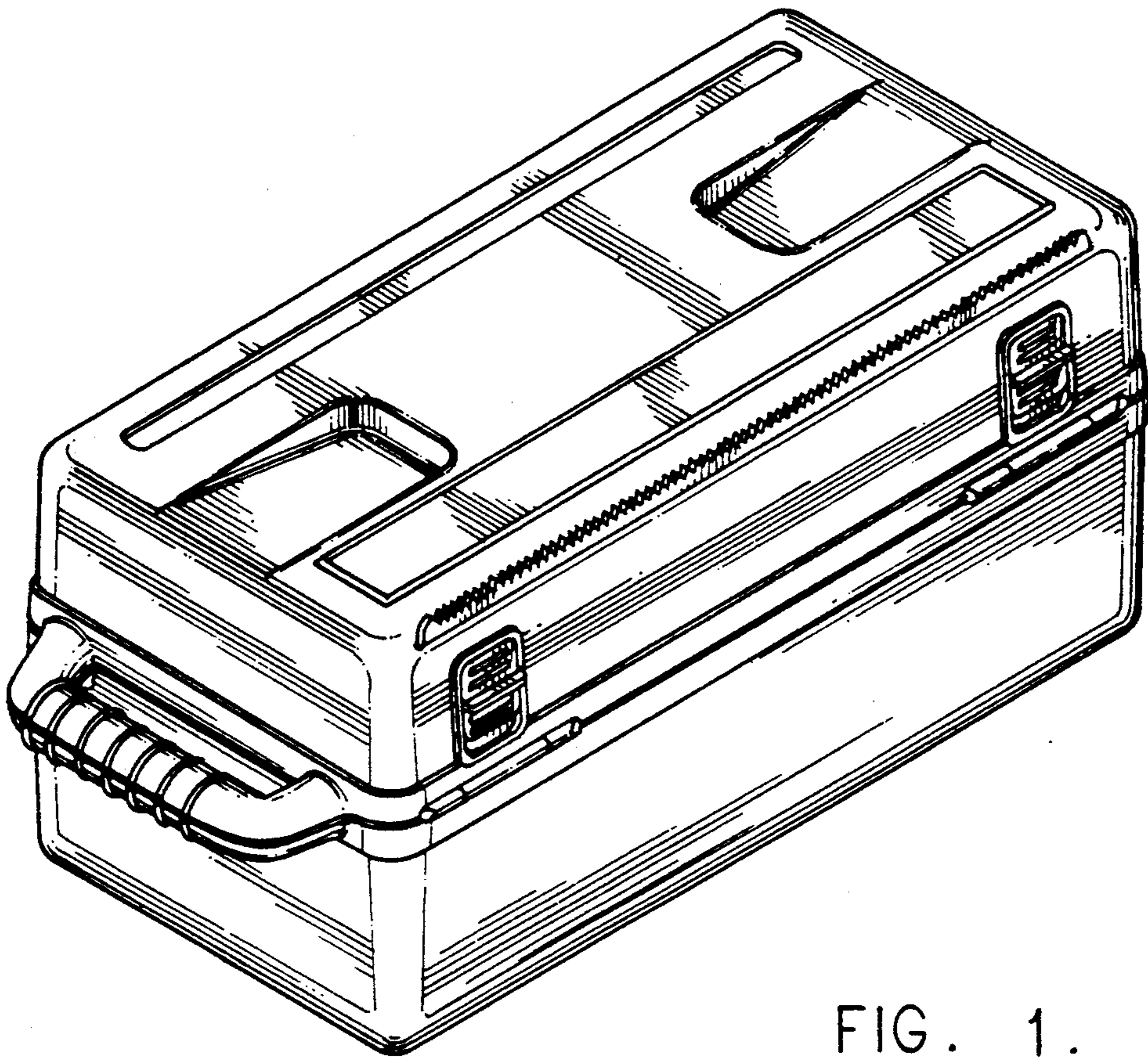


FIG. 1.

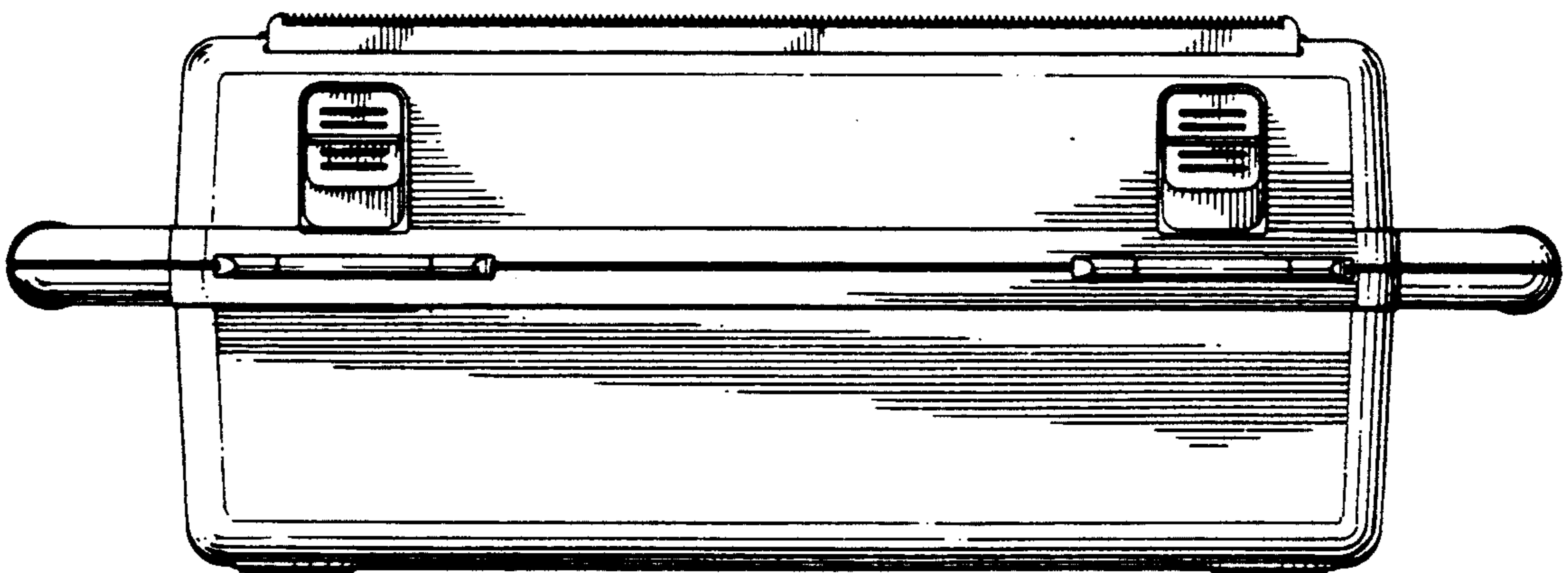


FIG. 8.



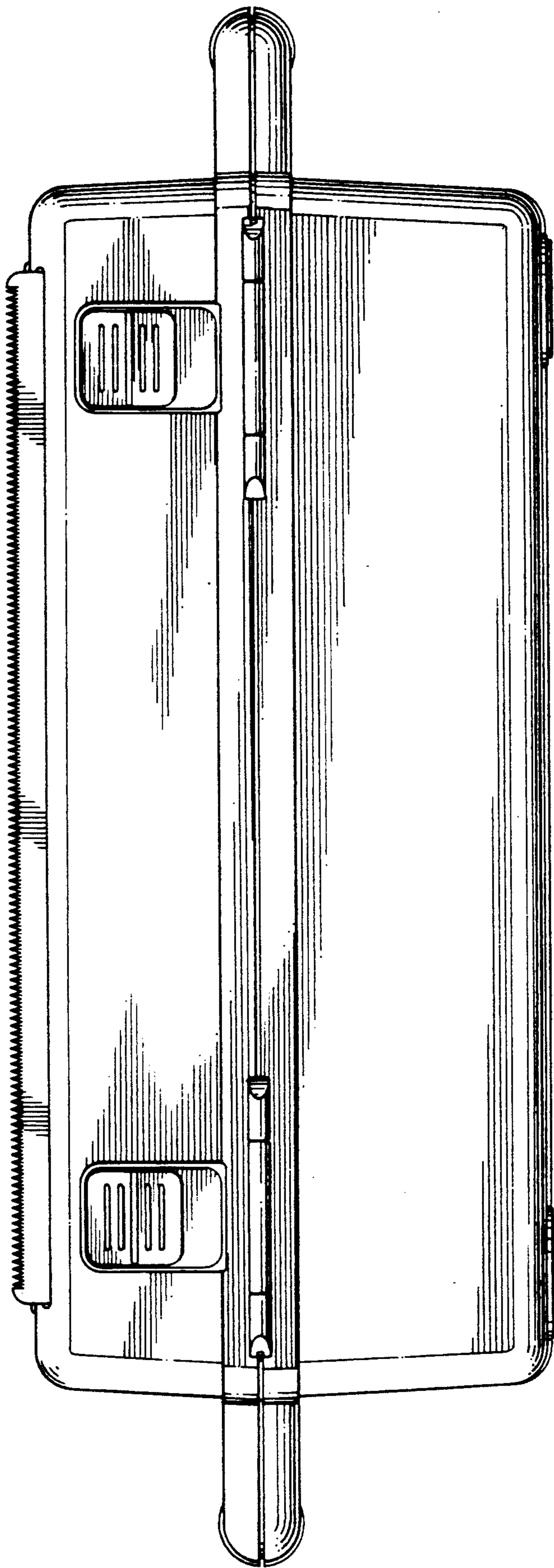


FIG. 2.

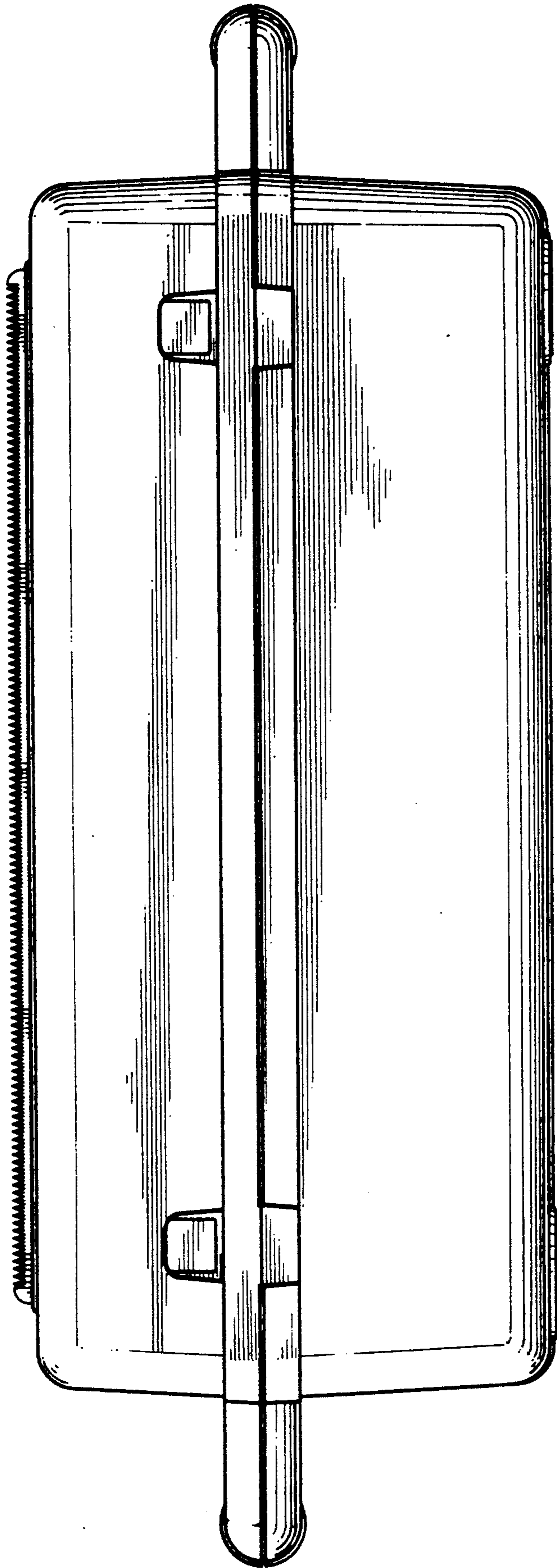


FIG. 3.

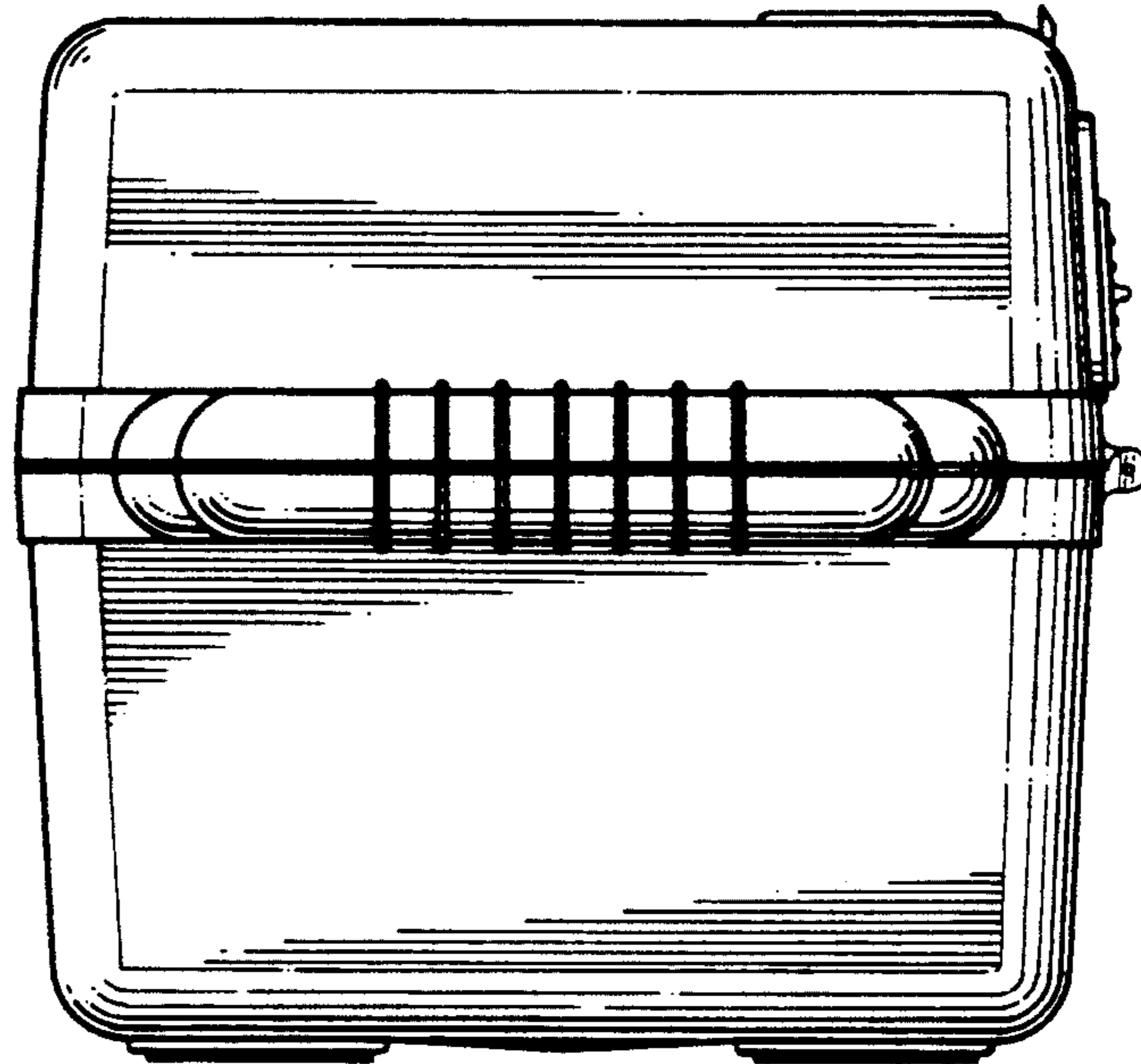


FIG. 4.

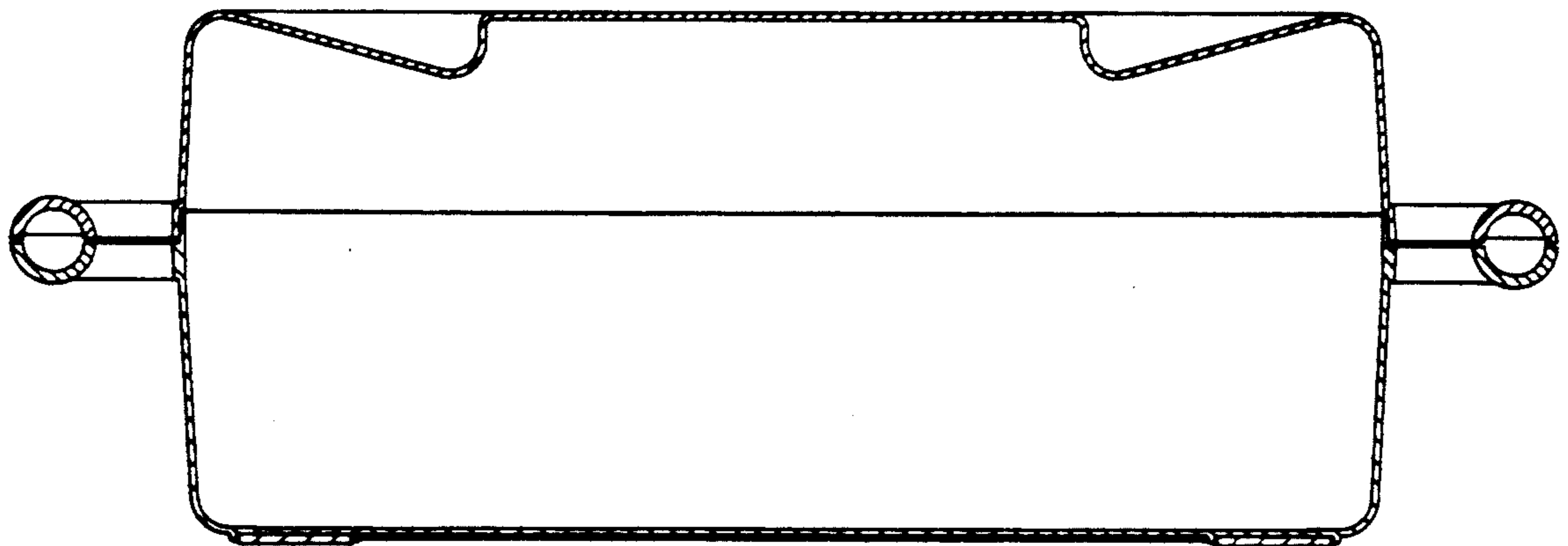


FIG. 7.

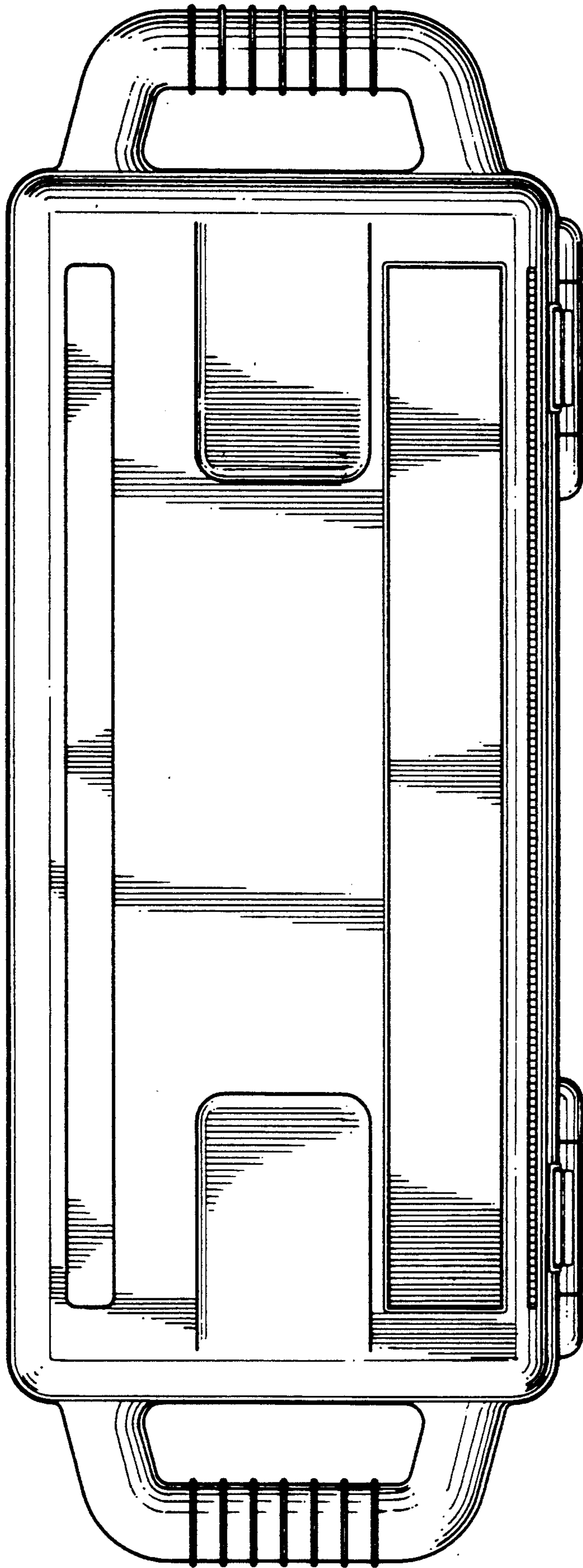


FIG. 5.

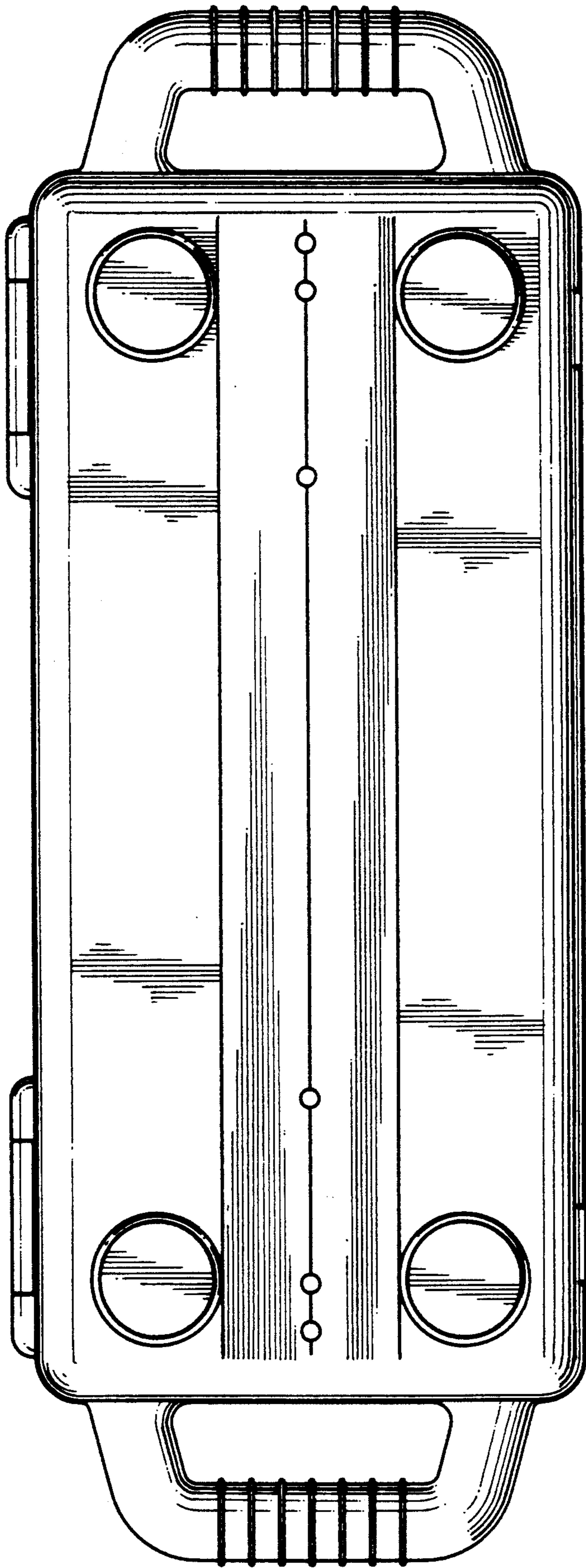


FIG. 6.