



US00D347342S

# United States Patent [19]

[11] Patent Number: **Des. 347,342**

Ghini

[45] Date of Patent: **\*\* May 31, 1994**

[54] **TABLE**

[75] Inventor: **Massimo I. Ghini**, Bologna, Italy

[73] Assignee: **Fiam Italia, S.p.A.**, Tavullia (PS), Italy

[\*\*] Term: **14 Years**

[21] Appl. No.: **945,331**

[22] Filed: **Sep. 15, 1992**

[30] **Foreign Application Priority Data**

Apr. 6, 1992 [IT] Italy ..... MI 920000204

[52] U.S. Cl. .... **D6/485**; D6/482

[58] Field of Search ..... D6/480, 482-489,  
D6/495, 497, 450, 451, 470, 349, 406; 108/150,  
153, 161

[56] **References Cited**

**U.S. PATENT DOCUMENTS**

D. 238,643 2/1976 Binzen ..... D6/485 X

D. 262,171 12/1981 Lustig ..... D6/484

D. 276,767 12/1984 Livi ..... D6/485 X  
D. 306,243 2/1990 Livi ..... D6/485

**OTHER PUBLICATIONS**

D.I.A. Catalog, ©1983, Allusion table in front.

*Primary Examiner*—Nelson C. Holtje

*Assistant Examiner*—J. E. Seeger

*Attorney, Agent, or Firm*—Shenier & O'Connor

[57] **CLAIM**

The ornamental design for a table, as shown and described.

**DESCRIPTION**

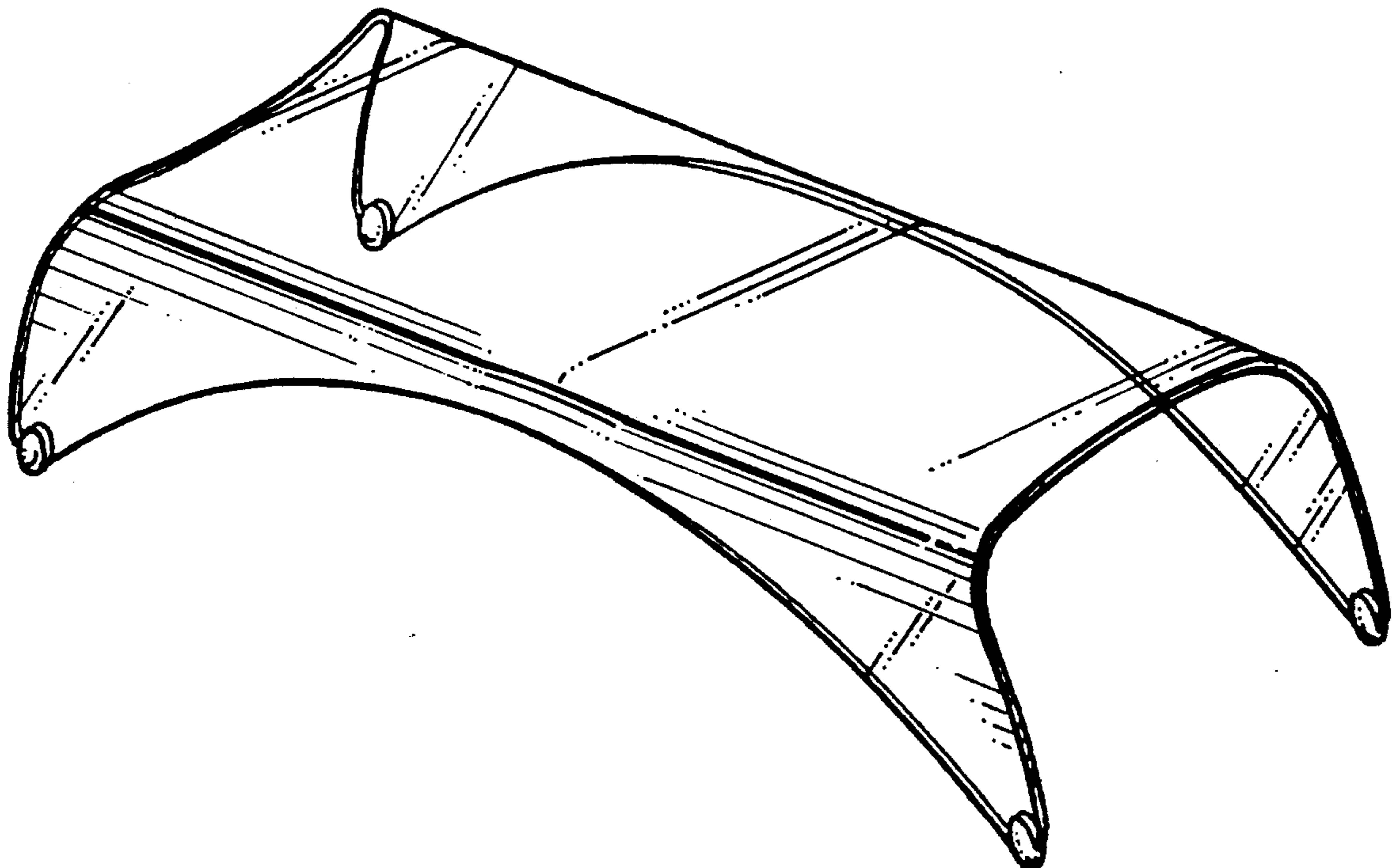
FIG. 1 is a perspective of a table showing my new design;

FIG. 2 is a front elevational view thereof, the rear elevational view being a mirror image thereof;

FIG. 3 is a top plan view thereof;

FIG. 4 is a bottom plan view thereof; and,

FIG. 5 is a right side elevational view thereof, the left side elevational view being a mirror image thereof.



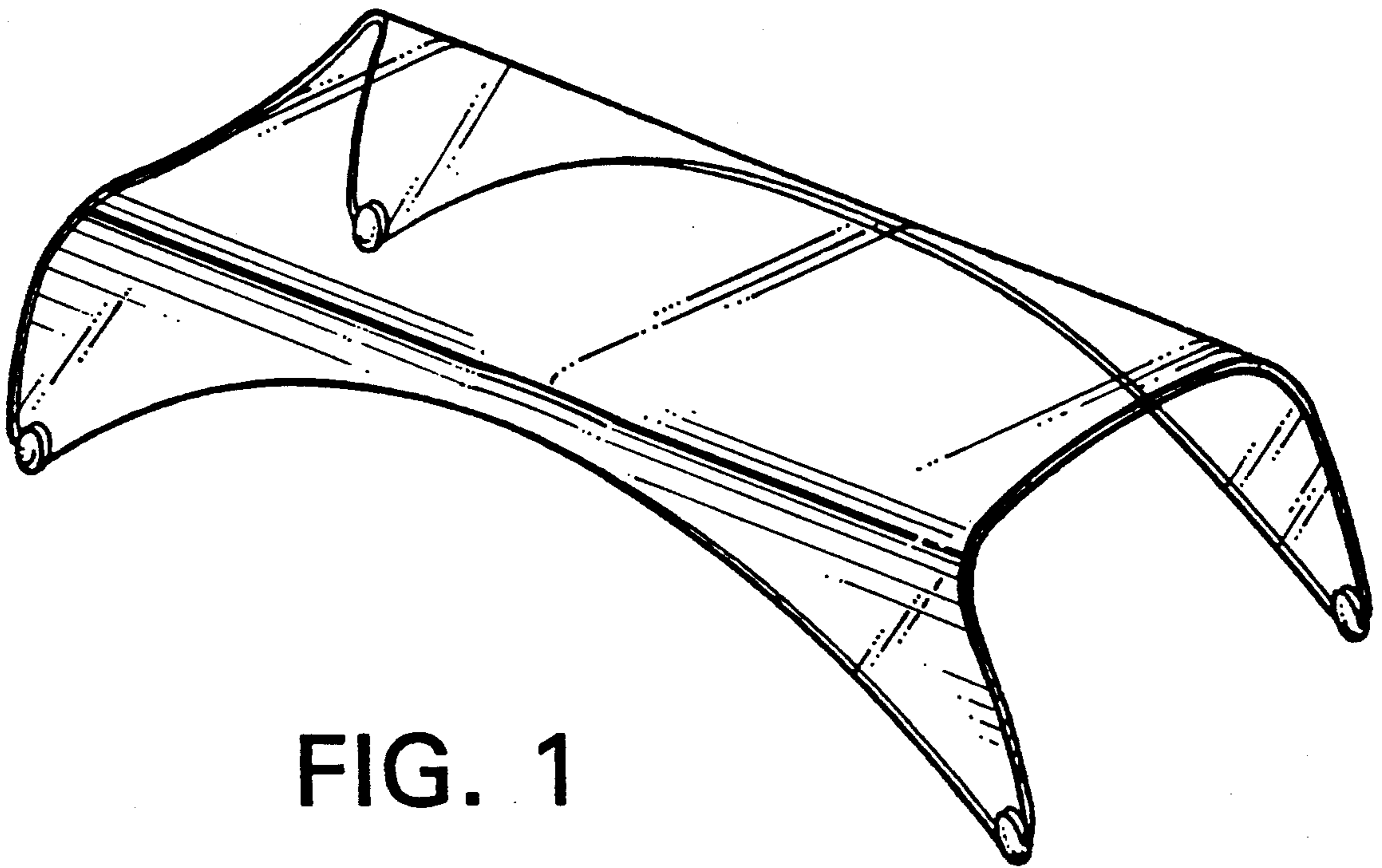


FIG. 1

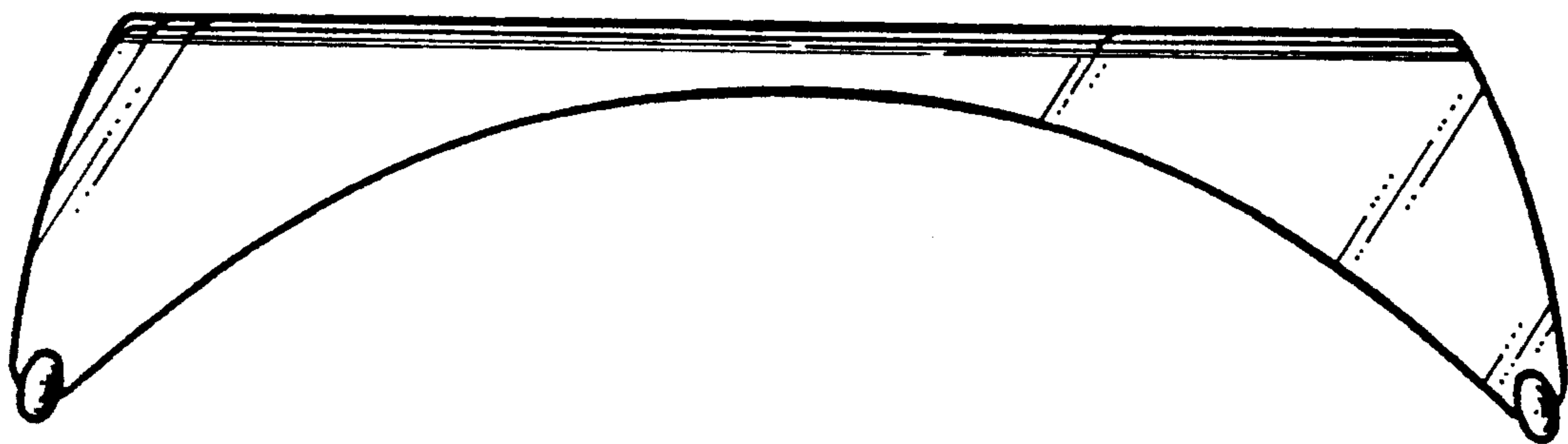
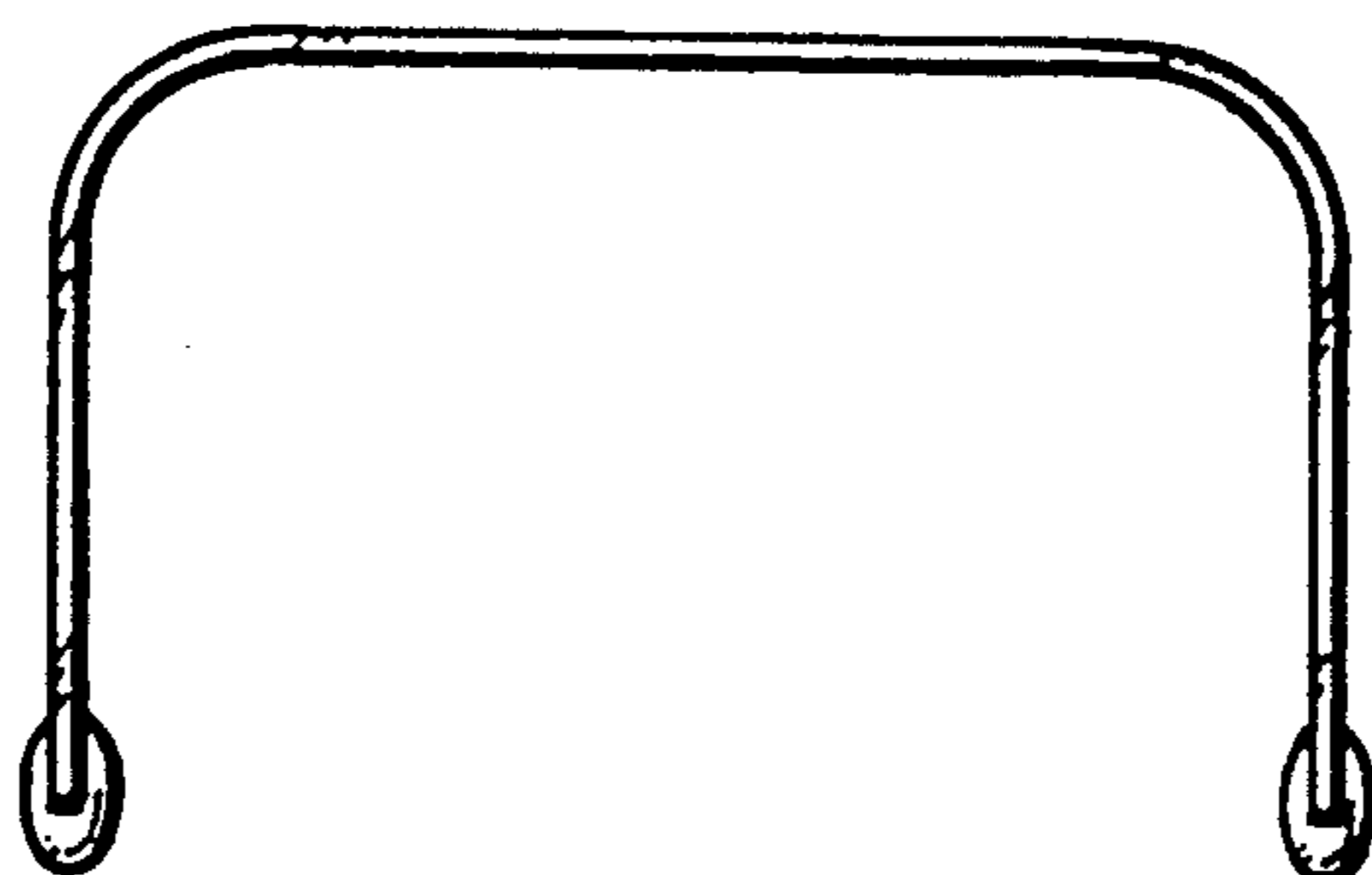


FIG. 2

FIG. 5



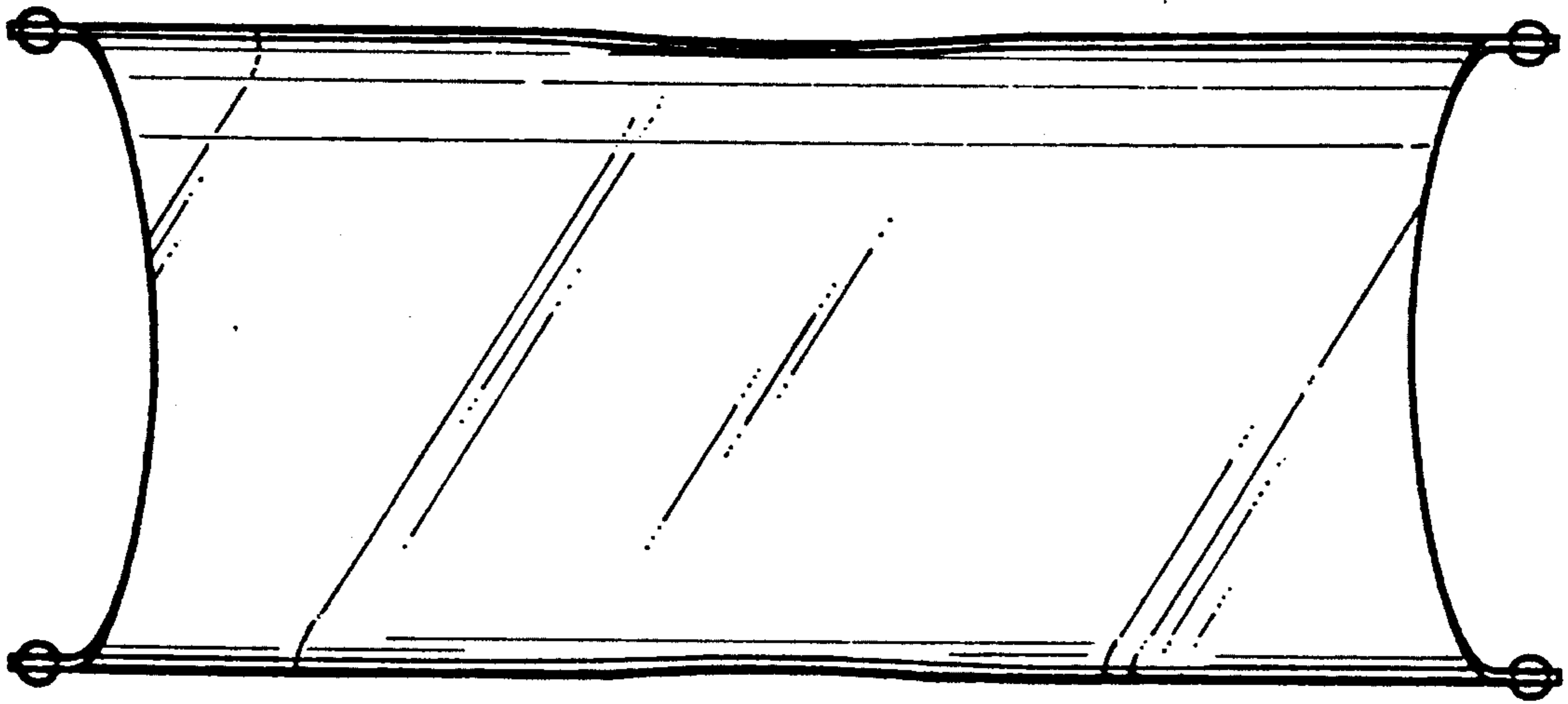


FIG. 3

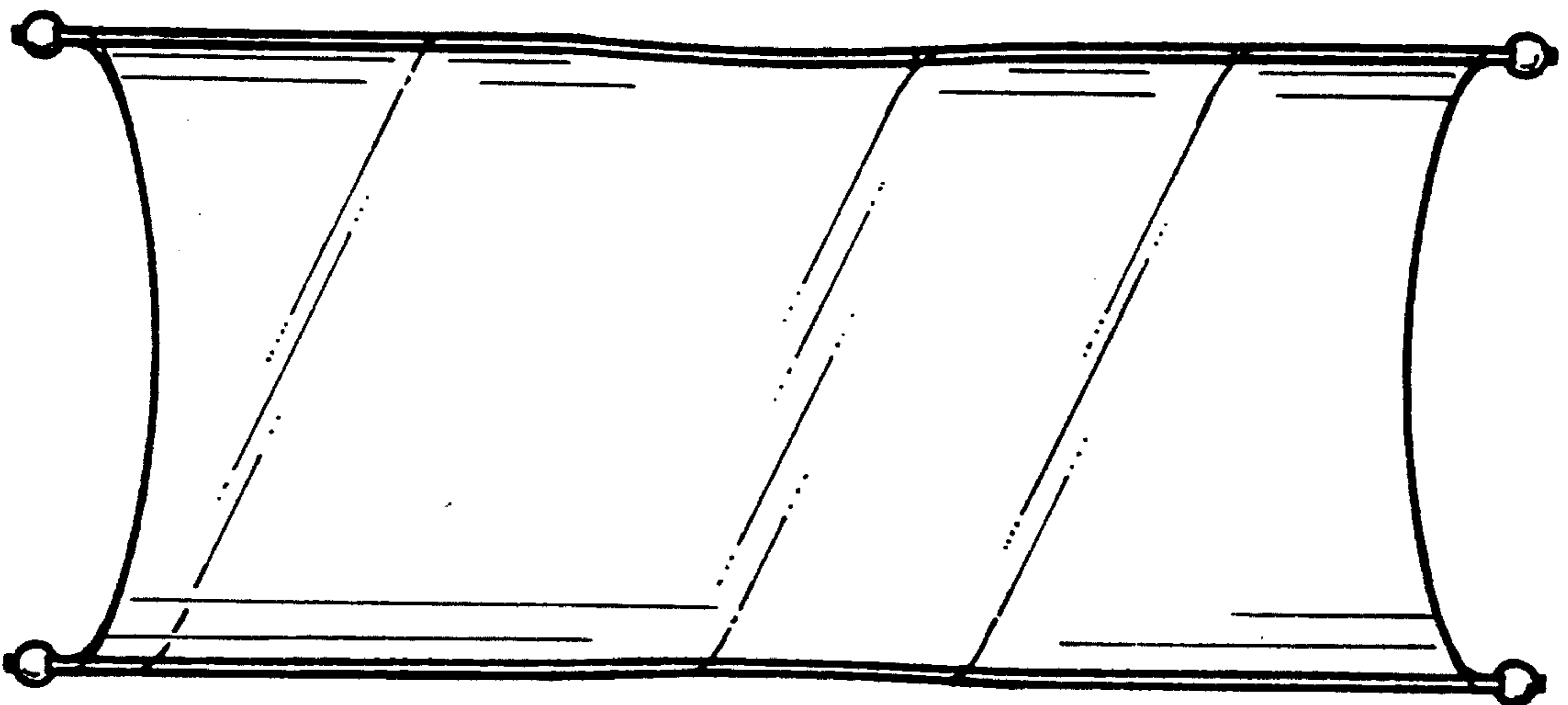


FIG. 4