



US00D347340S

# United States Patent [19]

[11] Patent Number: **Des. 347,340**

**Willens**

[45] Date of Patent: **\*\* May 31, 1994**

[54] **BOOKCASE**

[75] Inventor: **Scott S. Willens**, San Francisco, Calif.

[73] Assignee: **Westinghouse Electric Corporation**, Pittsburgh, Pa.

[\*\*] Term: **14 Years**

[21] Appl. No.: **5,776**

[22] Filed: **Mar. 12, 1993**

[52] U.S. Cl. .... **D6/479; D6/474**

[58] Field of Search ..... **D6/407, 472, 449, 474, D6/477-479, 475, 476, 468, 465; 108/101, 111, 106-108; 211/40, 42, 13, 188, 186, 135, 136**

[56] **References Cited**

**U.S. PATENT DOCUMENTS**

D. 81,327	6/1930	Felshin	.....	D6/474
D. 117,780	11/1939	Barefoot	.....	D6/474
D. 205,977	10/1966	Emhoff	.....	D6/474
D. 209,839	1/1968	Tisdall	.....	D6/479 X
D. 212,694	11/1968	Spencer	.....	D6/479
D. 215,900	11/1969	Combs	.....	D6/472 X
D. 248,901	8/1978	Unfried	.....	D6/407
D. 327,433	6/1992	Sewell	.....	D6/479 X
D. 330,467	10/1992	Pons et al.	.....	D6/479 X
2,595,002	4/1952	Schneider	.....	D6/474 X
2,595,542	5/1952	Robbins	.....	108/101

**OTHER PUBLICATIONS**

McCalls Home Decorating Catalog., S&S 1969, pp. 122, item 2.

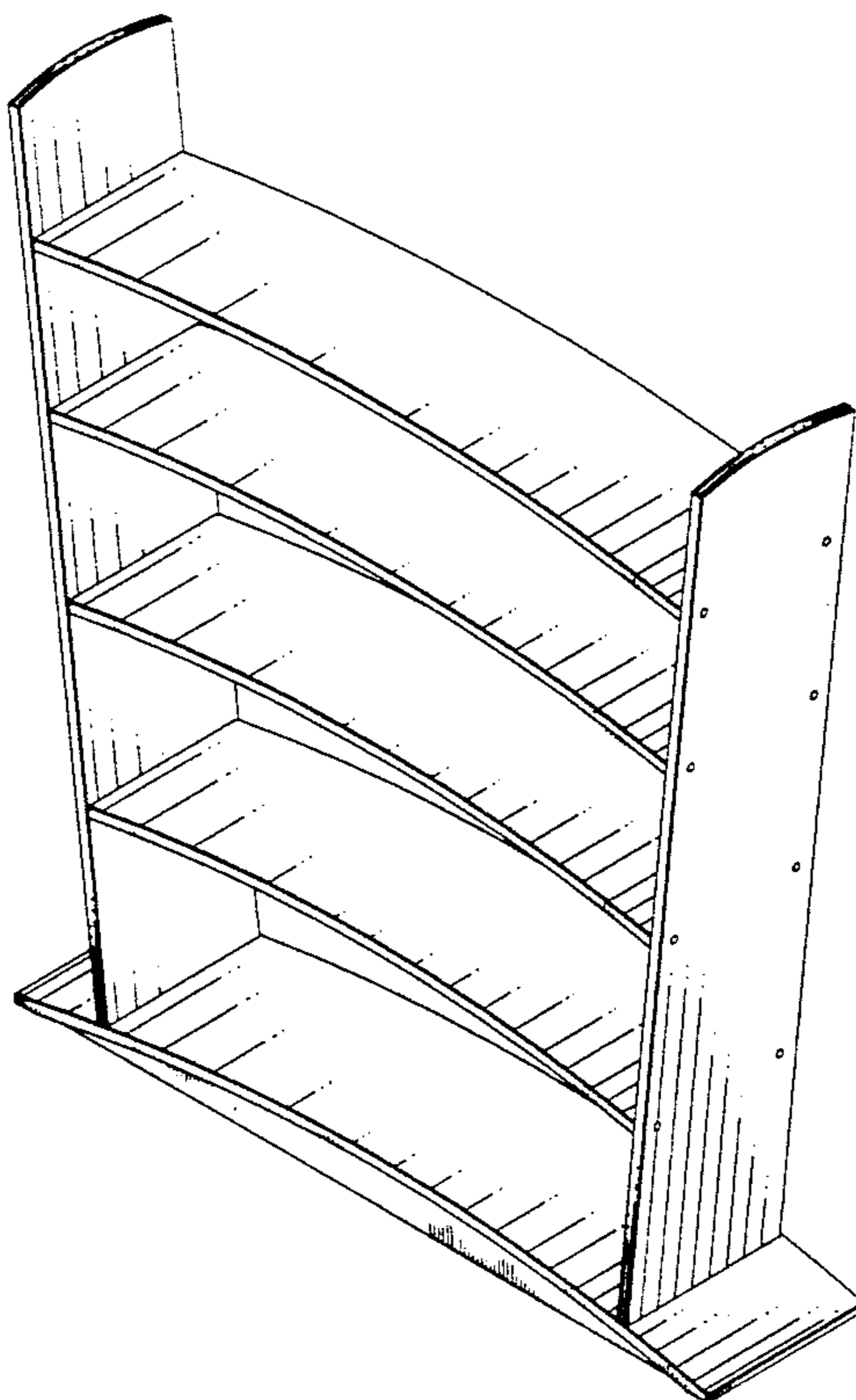
*Primary Examiner*—Alan P. Douglas  
*Assistant Examiner*—Jeffrey Asch  
*Attorney, Agent, or Firm*—Carla J. Vrsansky

[57] **CLAIM**

The ornamental design for a bookcase, as shown and described.

**DESCRIPTION**

FIG. 1 is a perspective view of a bookcase showing my new design;  
 FIG. 2 is a front elevational view thereof, the rear being a mirror image thereof;  
 FIG. 3 is a top plan view thereof;  
 FIG. 4 is a bottom plan view thereof;  
 FIG. 5 is a right side elevational view thereof, the left side being a mirror image thereof;  
 FIG. 6 is a perspective view of an alternate embodiment of my new design;  
 FIG. 7 is a front elevational view thereof, the rear being a mirror image thereof;  
 FIG. 8 is a top plan view thereof;  
 FIG. 9 is a bottom plan view thereof;  
 FIG. 10 is a right side elevational view thereof, the left side being a mirror image thereof;  
 FIG. 11 is a perspective view of a second alternate embodiment of my new design;  
 FIG. 12 is a front elevational view thereof, the rear being a mirror image thereof;  
 FIG. 13 is a top plan view thereof;  
 FIG. 14 is a bottom plan view thereof; and,  
 FIG. 15 is a right side elevational view thereof, the left side being a mirror image thereof.



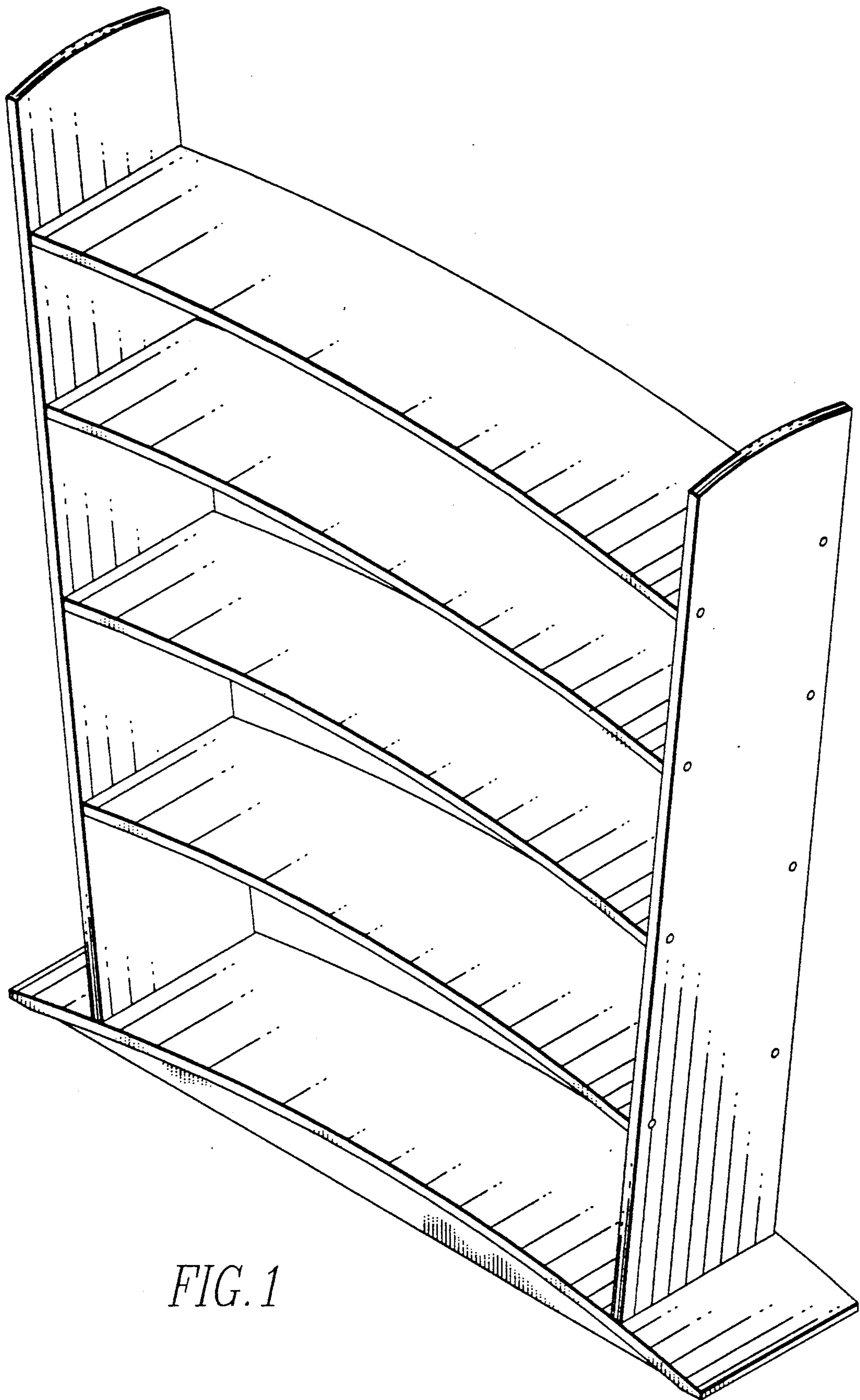


FIG. 1

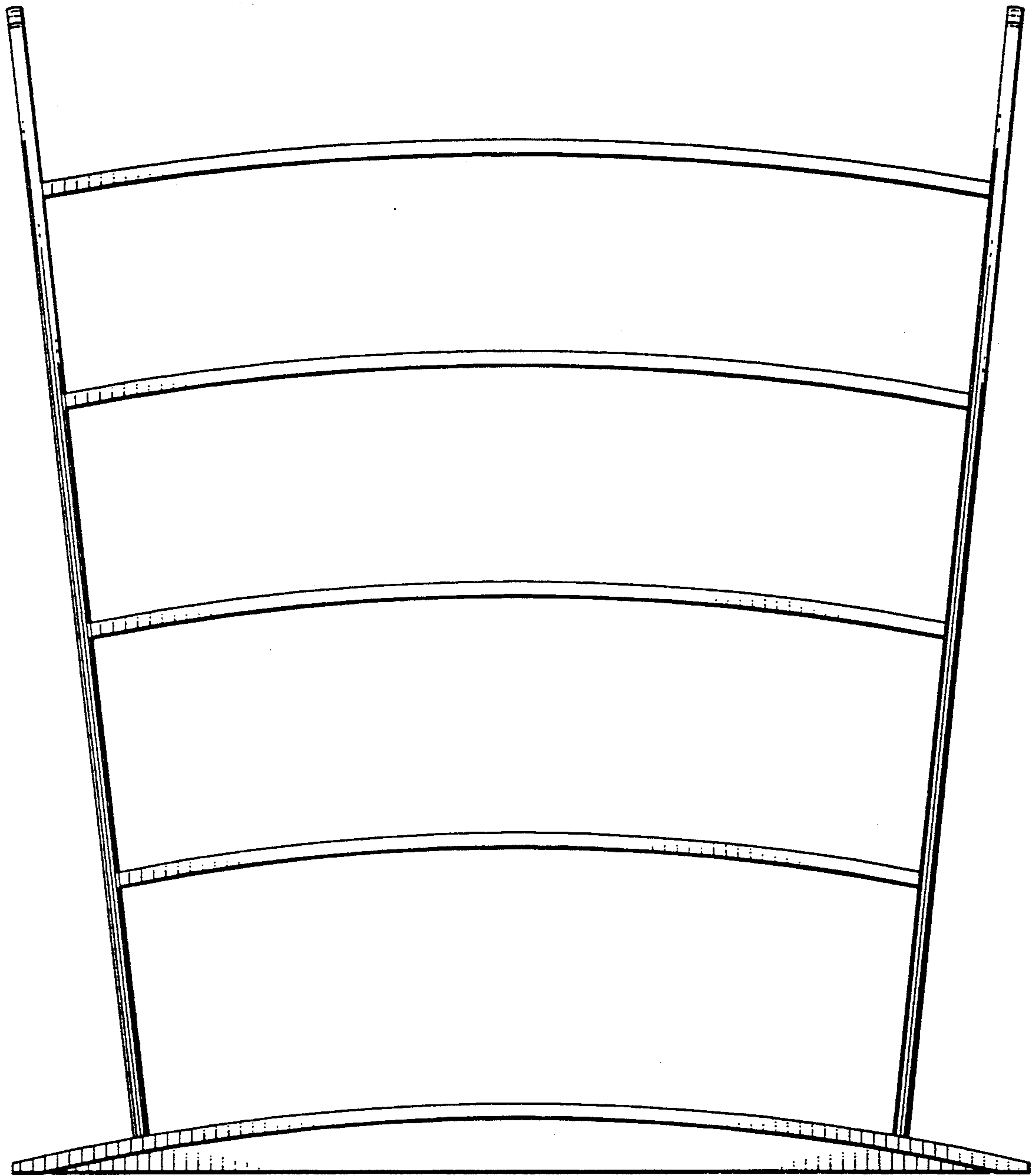


FIG. 2

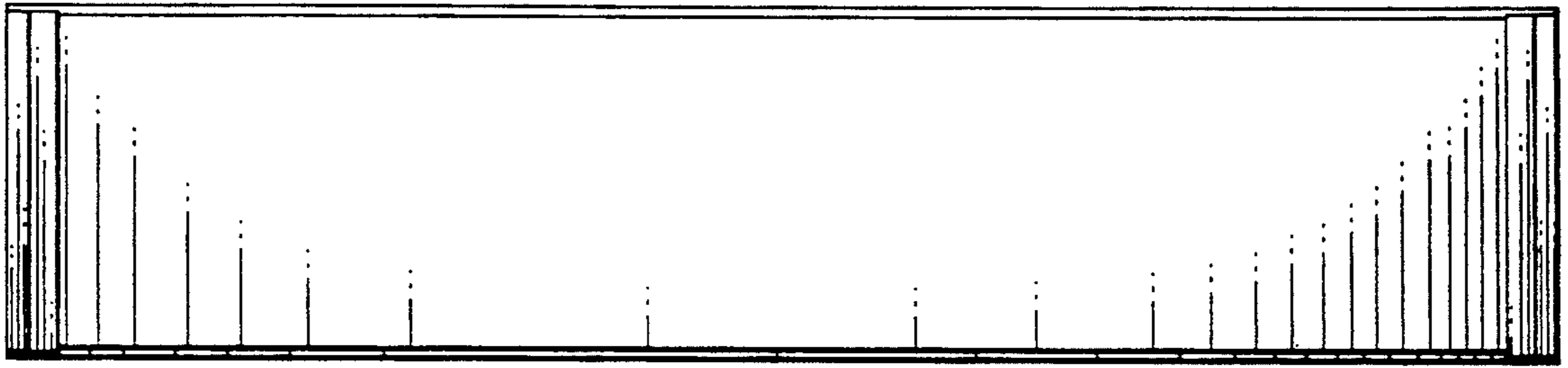


FIG. 3

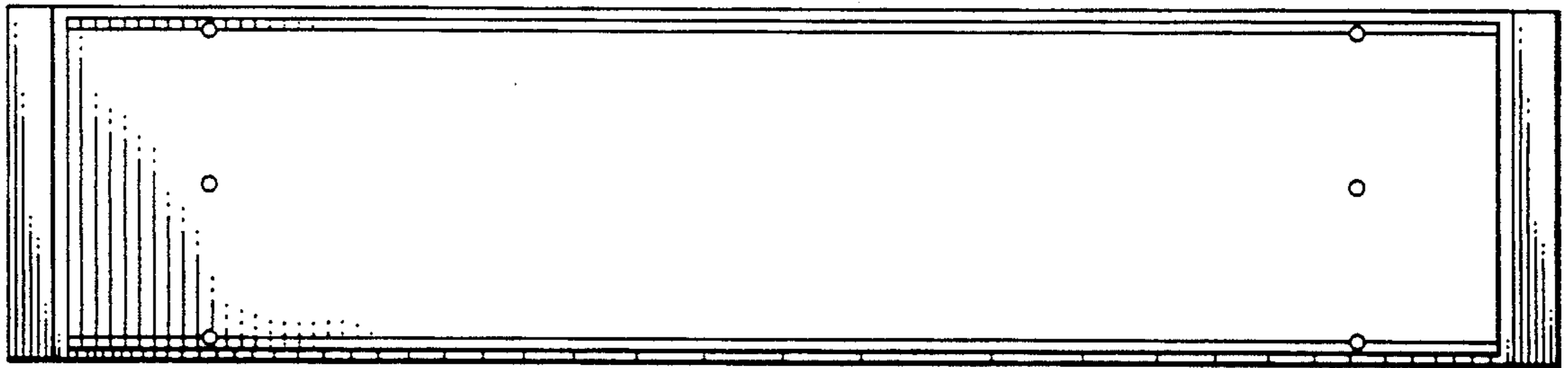


FIG. 4

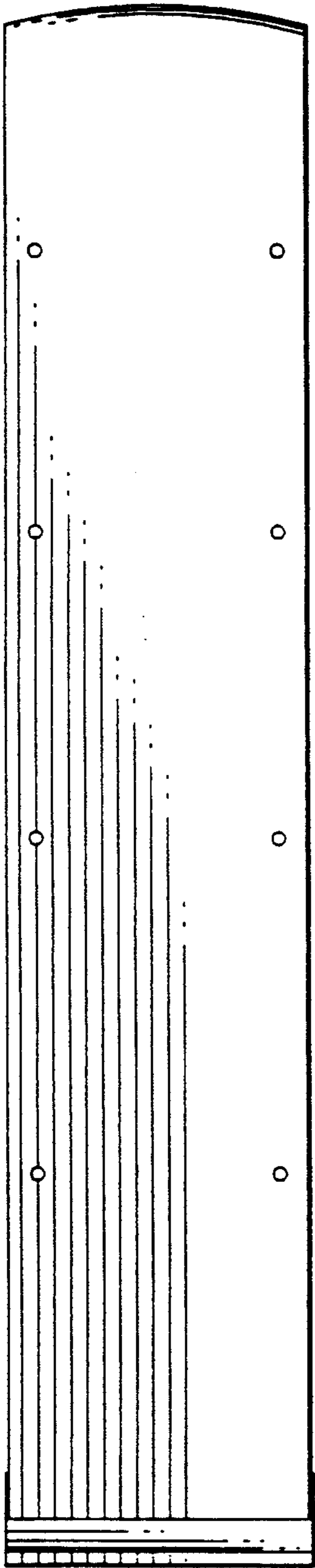


FIG. 5

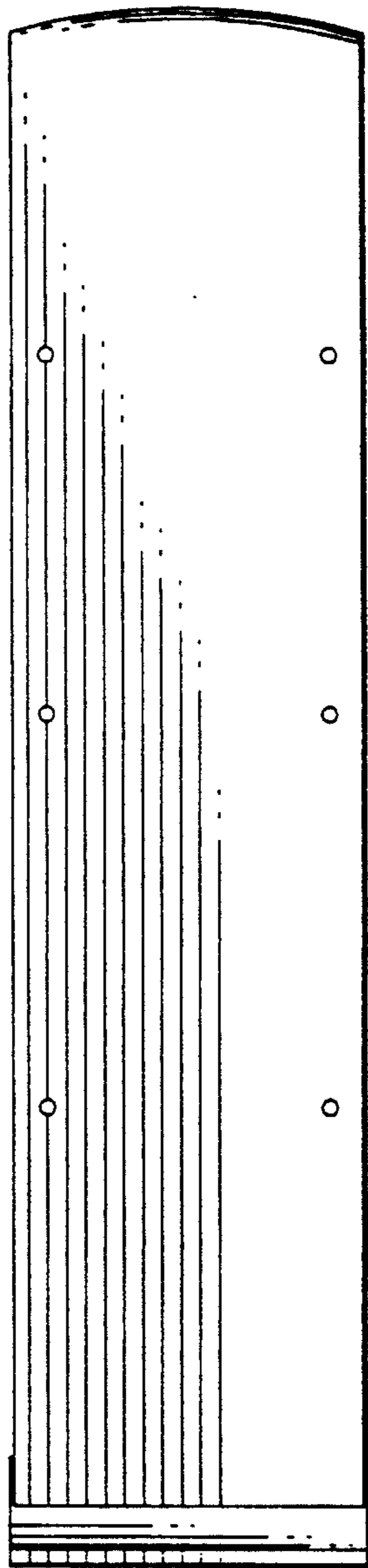


FIG. 10

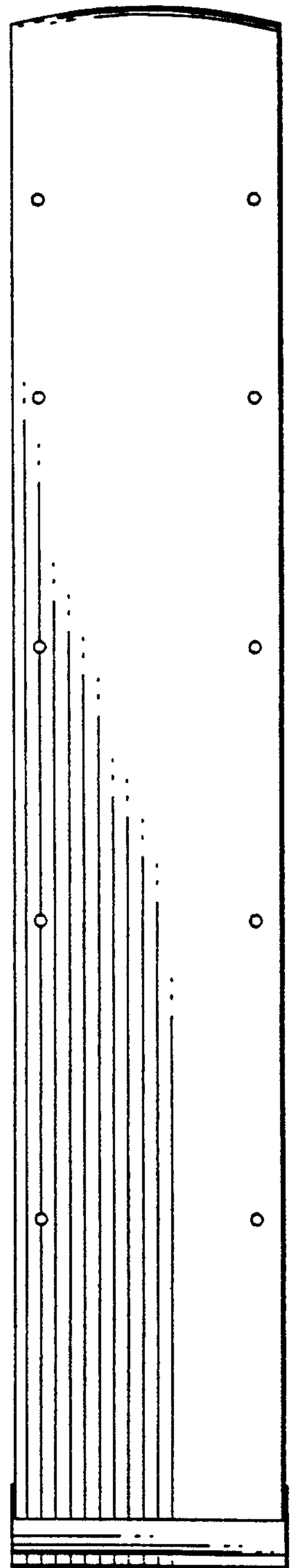


FIG. 15

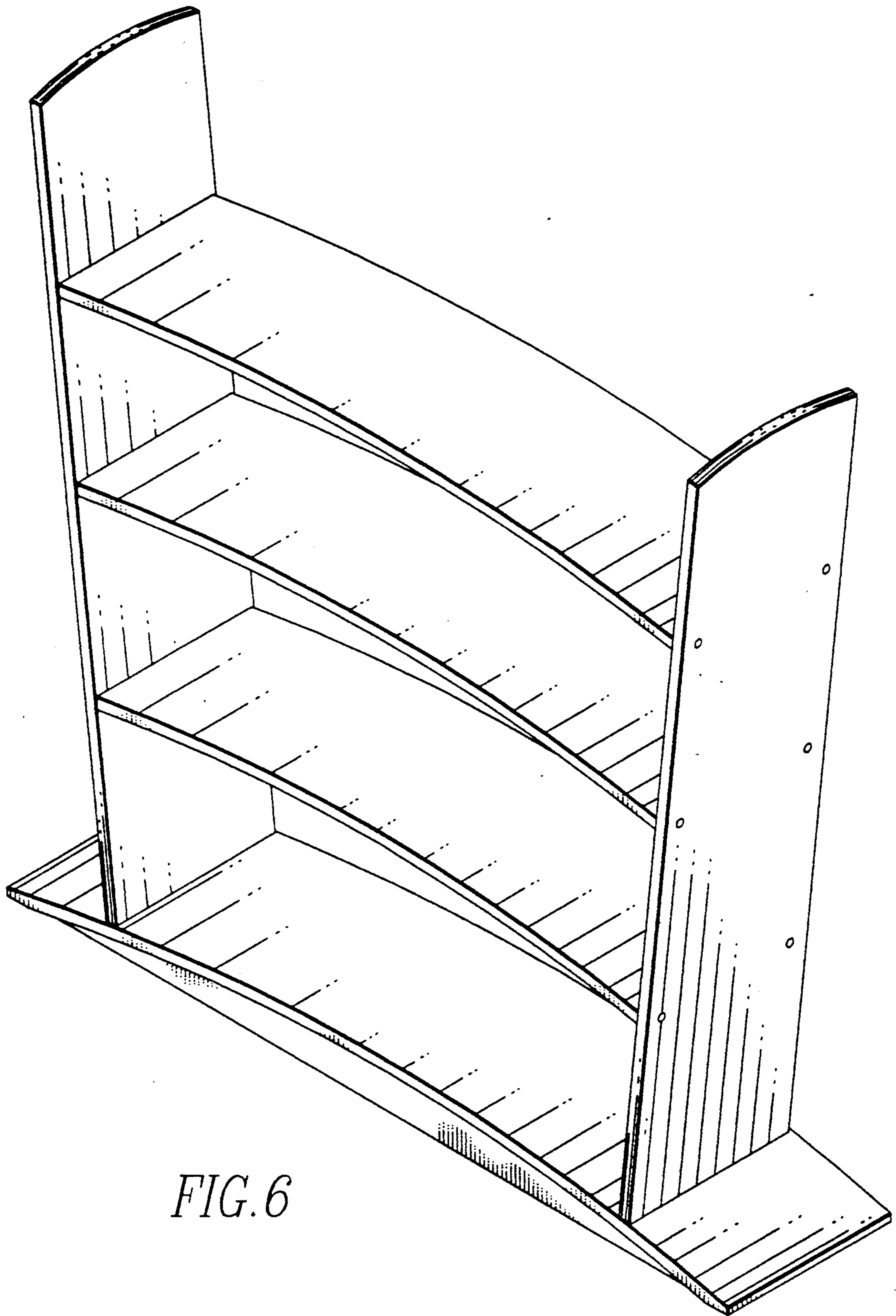


FIG. 6

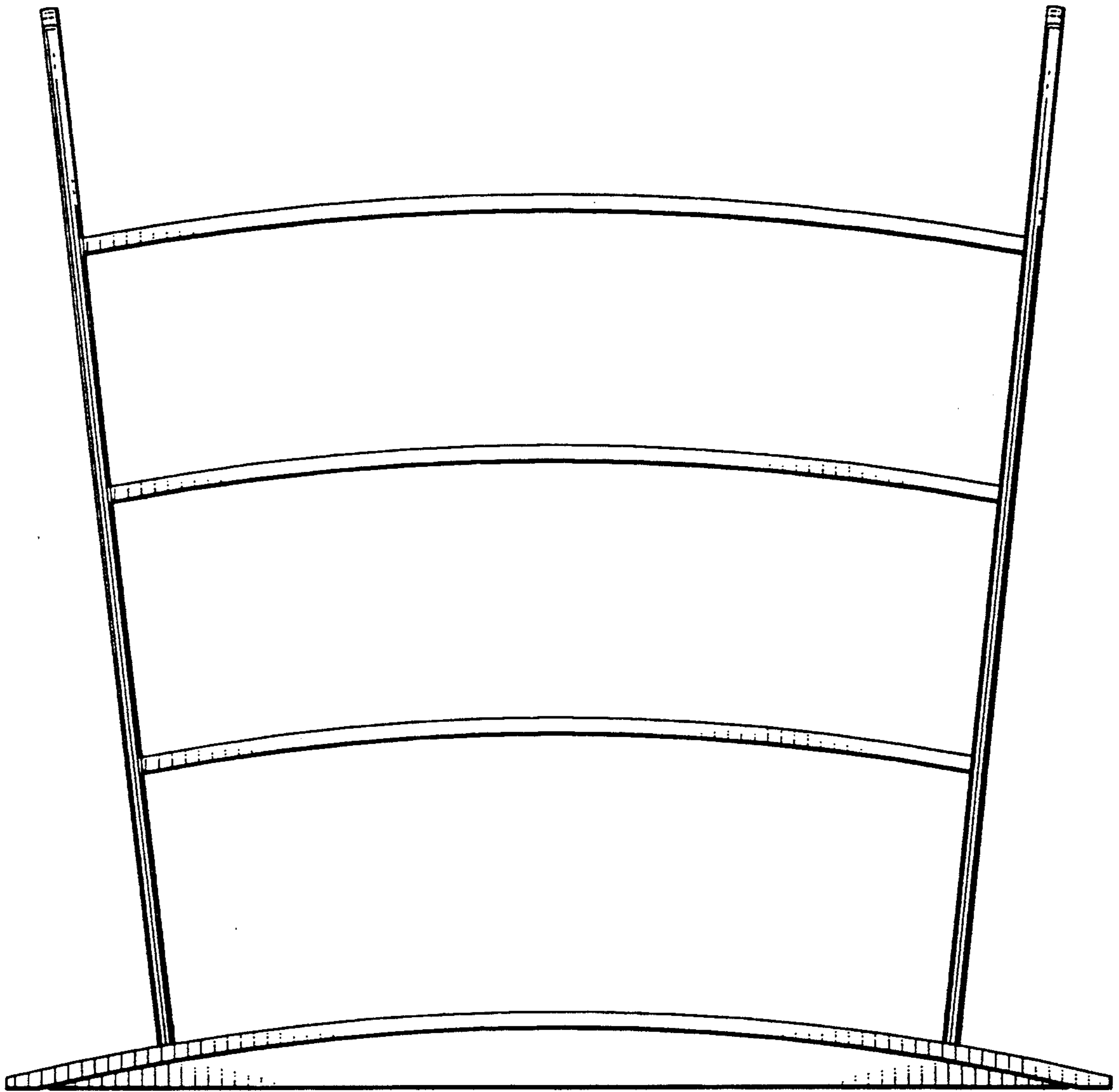
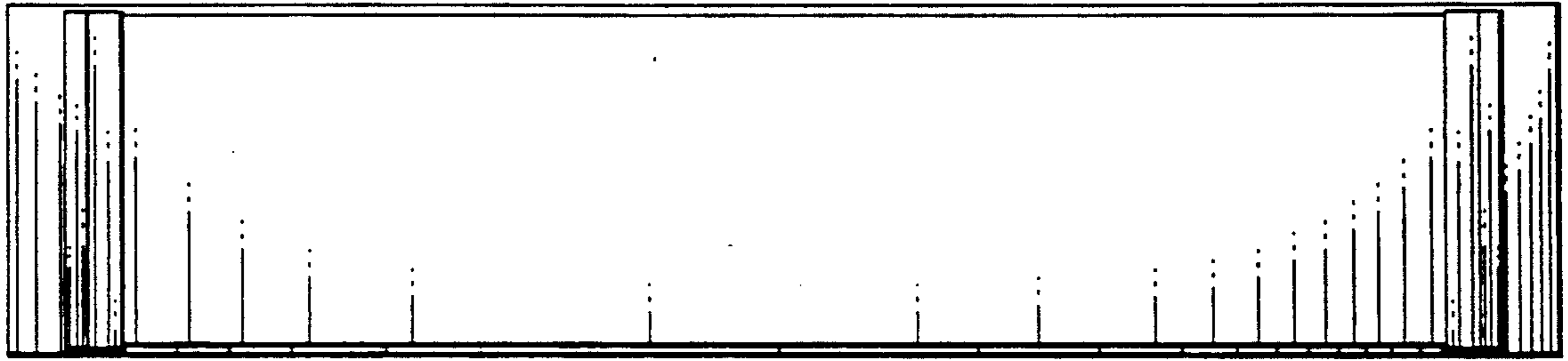
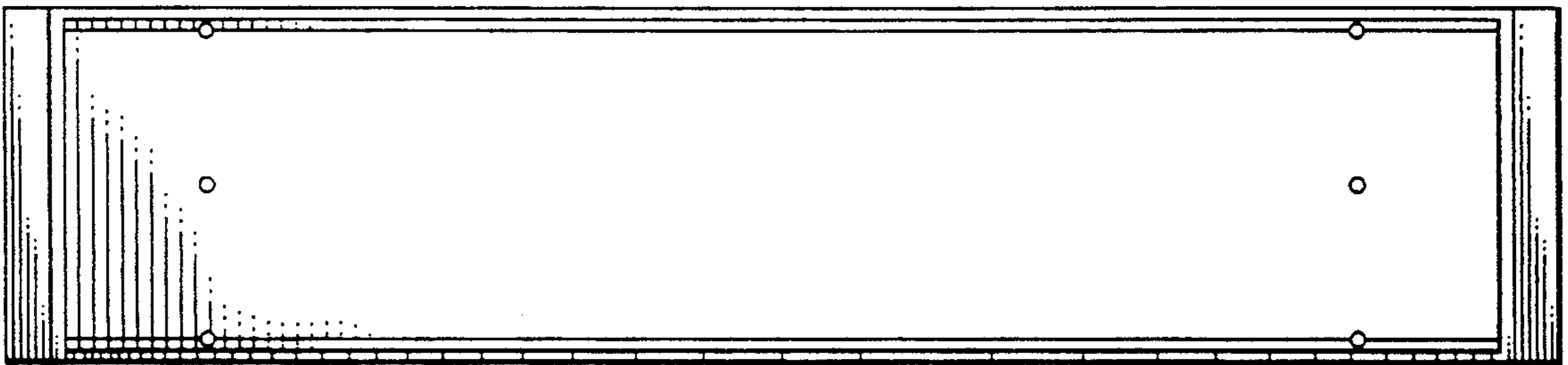


FIG. 7



*FIG. 8*



*FIG. 9*



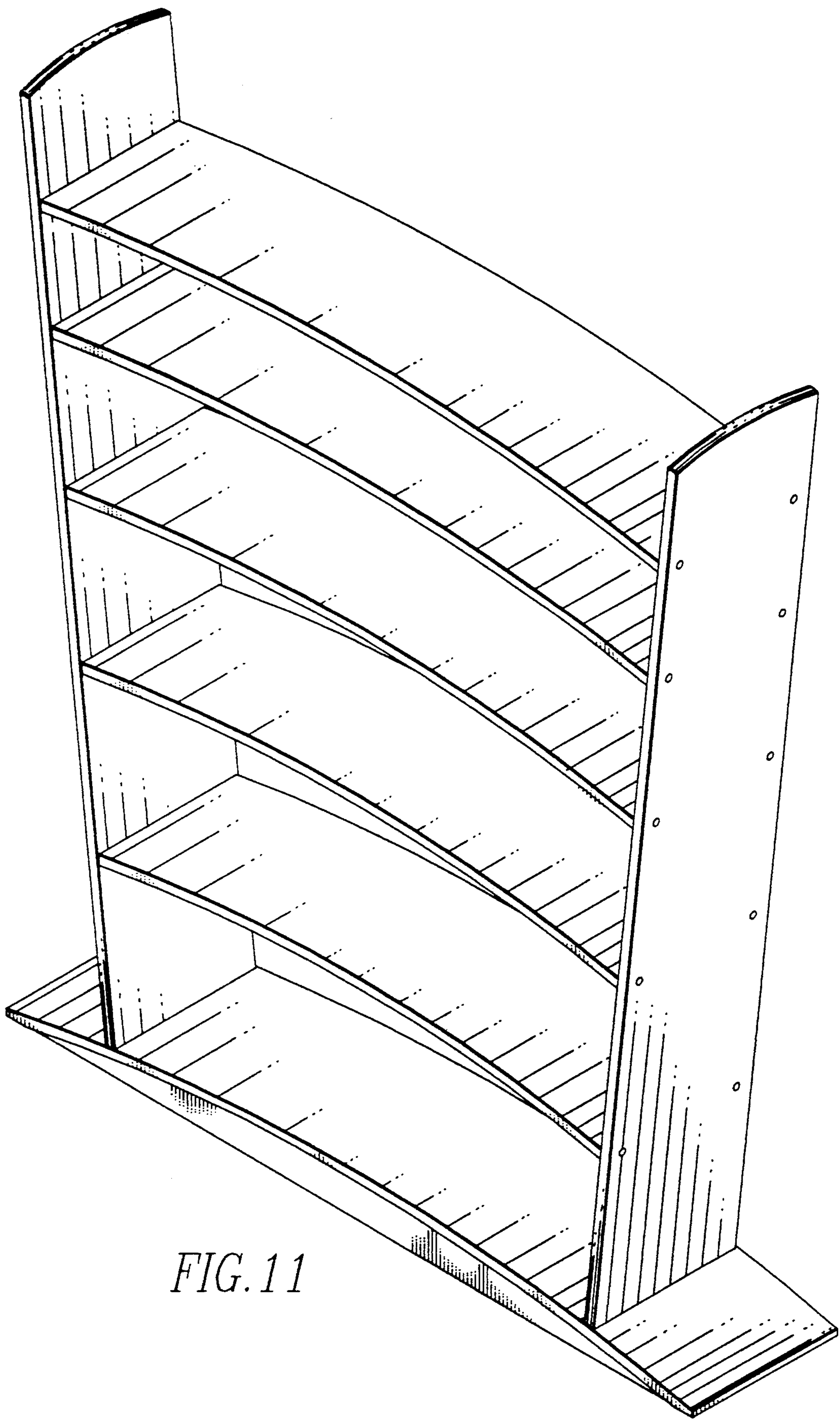


FIG. 11

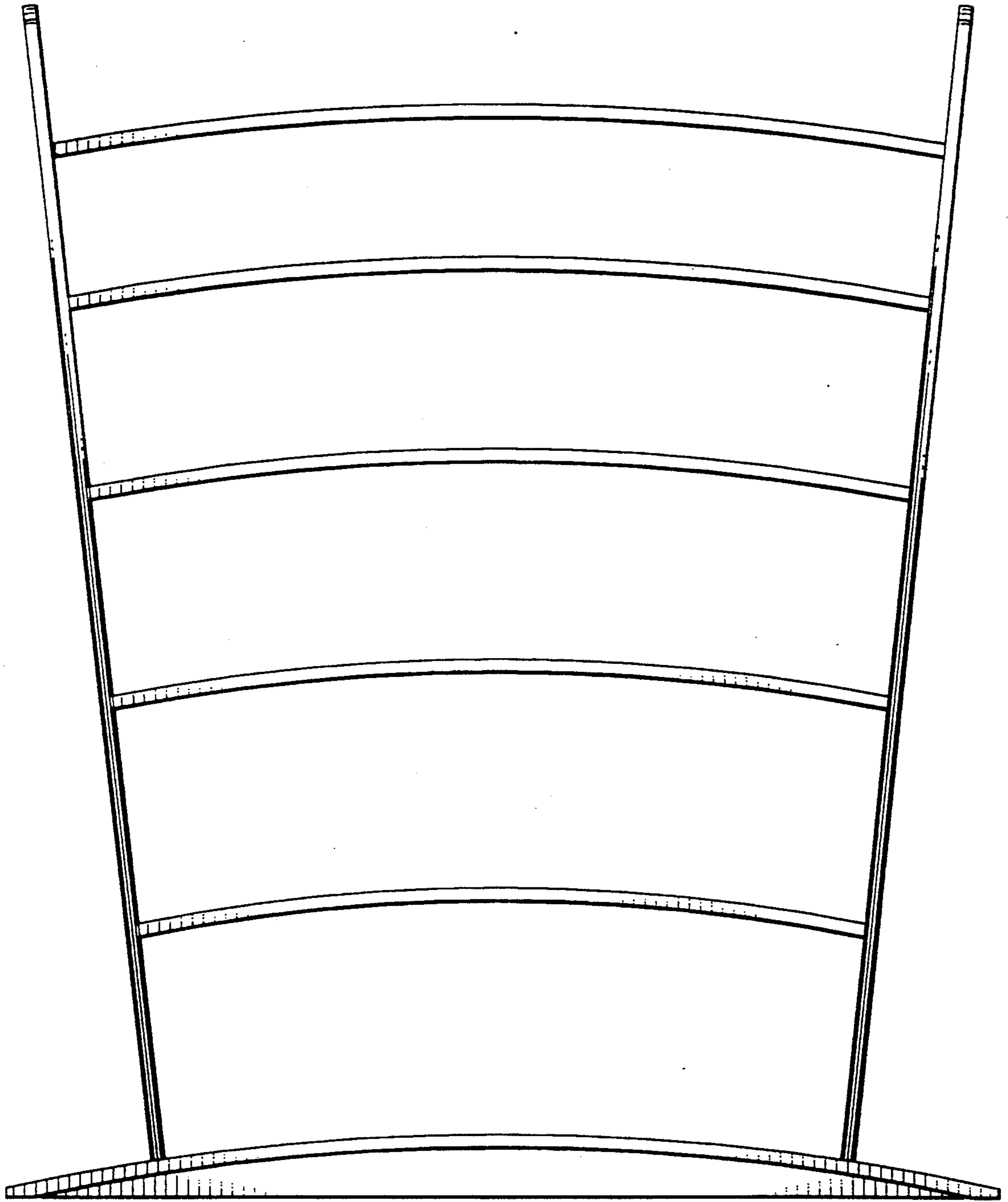


FIG. 12

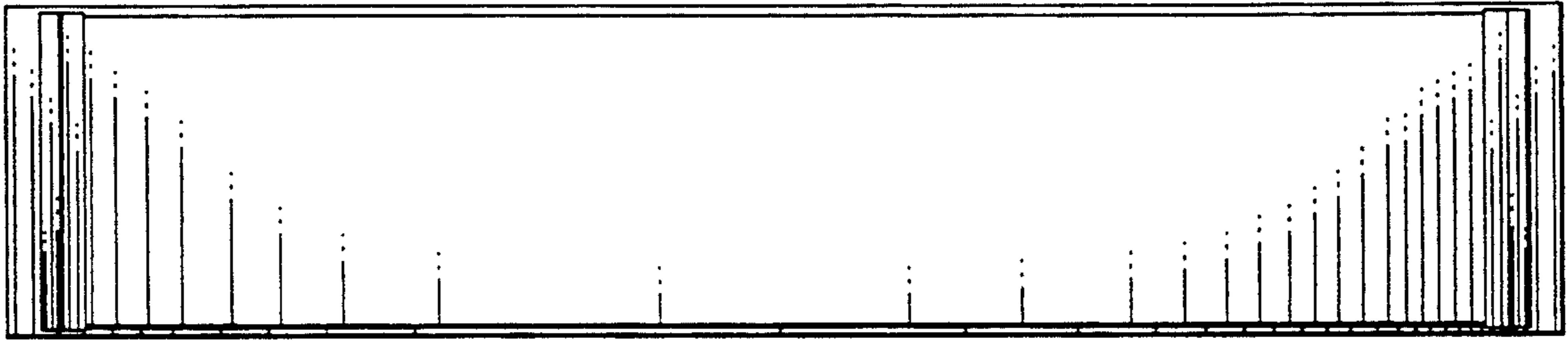


FIG. 13

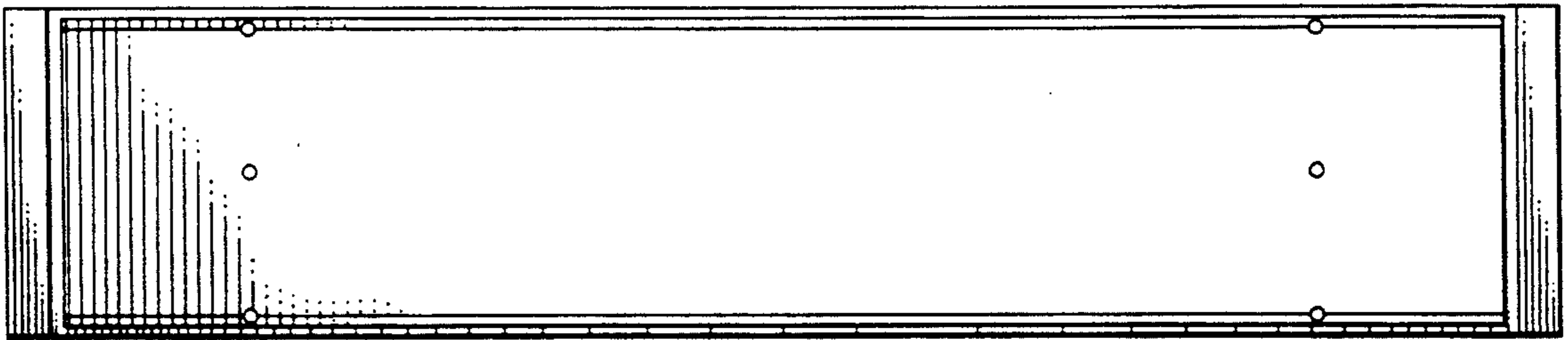


FIG. 14