



US00D347339S

# United States Patent [19]

[11] Patent Number: Des. 347,339

Bellini et al.

[45] Date of Patent: \*\* May 31, 1994

[54] OFFICE TABLE

4,077,333 3/1978 Ballas .  
4,856,741 8/1989 Schaefer .  
4,863,124 9/1989 Ball et al. .

[76] Inventors: Mario Bellini, 11 Corso Venezia, Milano, Italy, I-20121; Dieter Thiel, Maiengasse 1, Basel, Switzerland, CH-4056

FOREIGN PATENT DOCUMENTS

2626754 8/1989 France ..... 108/150  
230047 3/1943 Switzerland ..... 108/3

[\*\*] Term: 14 Years

Primary Examiner—Nelson C. Holtje  
Assistant Examiner—J. E. Seeger  
Attorney, Agent, or Firm—Ralph W. Selitto, Jr.

[21] Appl. No.: 690,799

[22] Filed: Apr. 24, 1991

[30] Foreign Application Priority Data

Oct. 24, 1990 [IB] Int'l Pat. Institute ..... DM/017 923

[52] U.S. Cl. .... D6/477; D34/19

[58] Field of Search ..... D6/480-489,  
D6/495, 496, 498, 499, 429, 477; 108/92, 93,  
150, 3, 146

[57] CLAIM

The ornamental design for an office table, as shown and described.

DESCRIPTION

FIG. 1 is a front perspective view of an office table showing our new design;  
FIG. 2 is a top perspective view of the office table shown in FIG. 1;  
FIG. 3 is a front elevational view of the office table shown in FIGS. 1 and 2, the rear elevational view thereof being a mirror image of FIG. 3;  
FIG. 4 is a top plan view of the office table shown in FIGS. 1 and 2;  
FIG. 5 is a left side elevational view of the office table shown in FIGS. 1 and 2;  
FIG. 6 is a right side elevational view of the office table shown in FIGS. 1 and 2; and  
FIG. 7 is a bottom plan view of the office table shown in FIGS. 1 and 2.

[56] References Cited

U.S. PATENT DOCUMENTS

- D. 198,168 5/1964 Armstrong .
- D. 261,837 11/1981 Sonder et al. .
- D. 268,312 3/1983 Bömpötti .
- D. 270,788 10/1983 Umanoff et al. .... D6/480
- D. 277,056 1/1985 Nicholson ..... D6/429 X
- D. 295,348 4/1988 Muller ..... D6/406
- D. 296,851 7/1988 Kelley .
- D. 308,922 7/1990 Ng et al. .... D6/484 X
- D. 327,790 7/1992 Sharar .
- 2,685,486 8/1954 Woller ..... 108/3
- 3,504,643 4/1970 Burst et al. .... 108/146

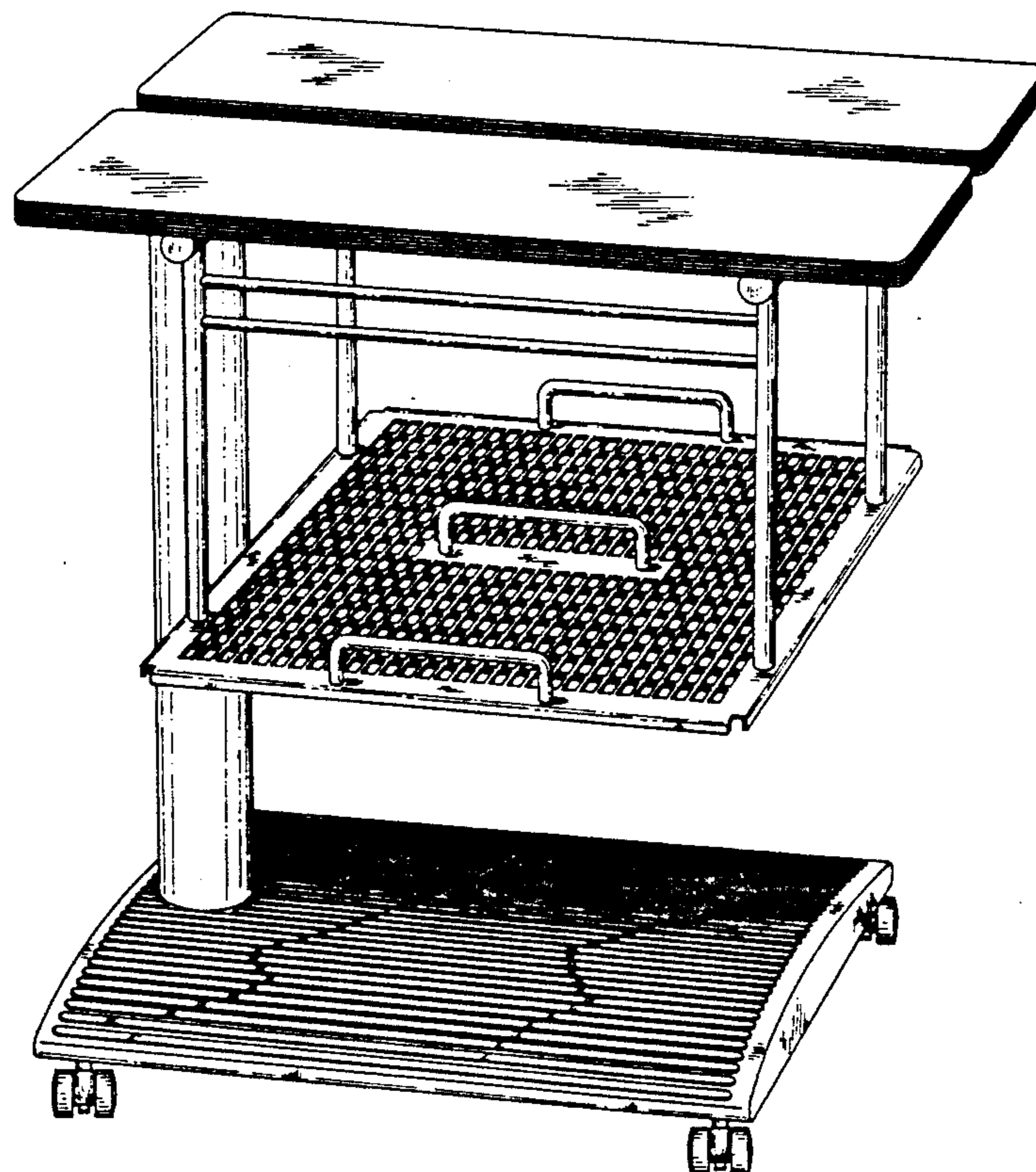
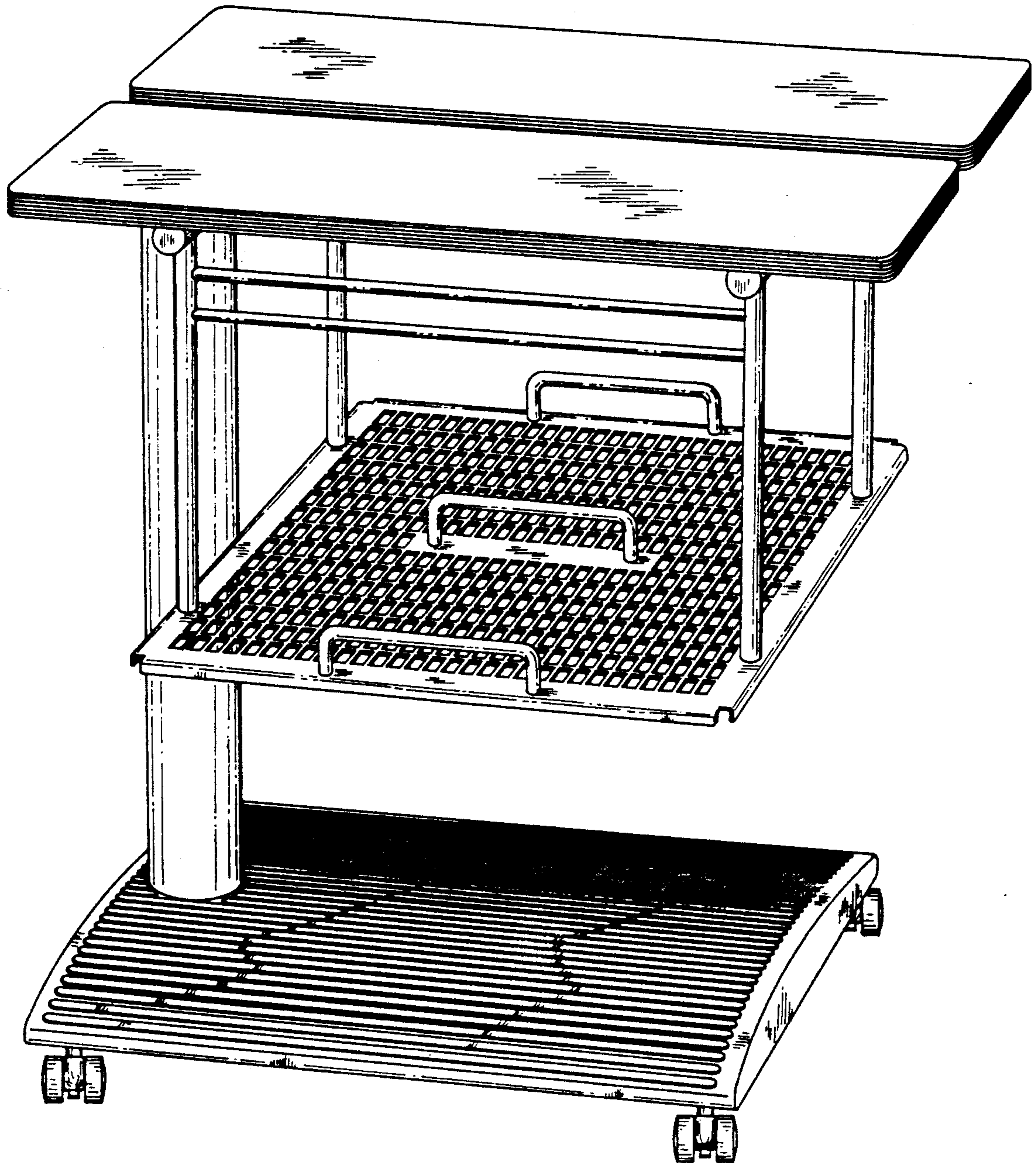


FIG. 1



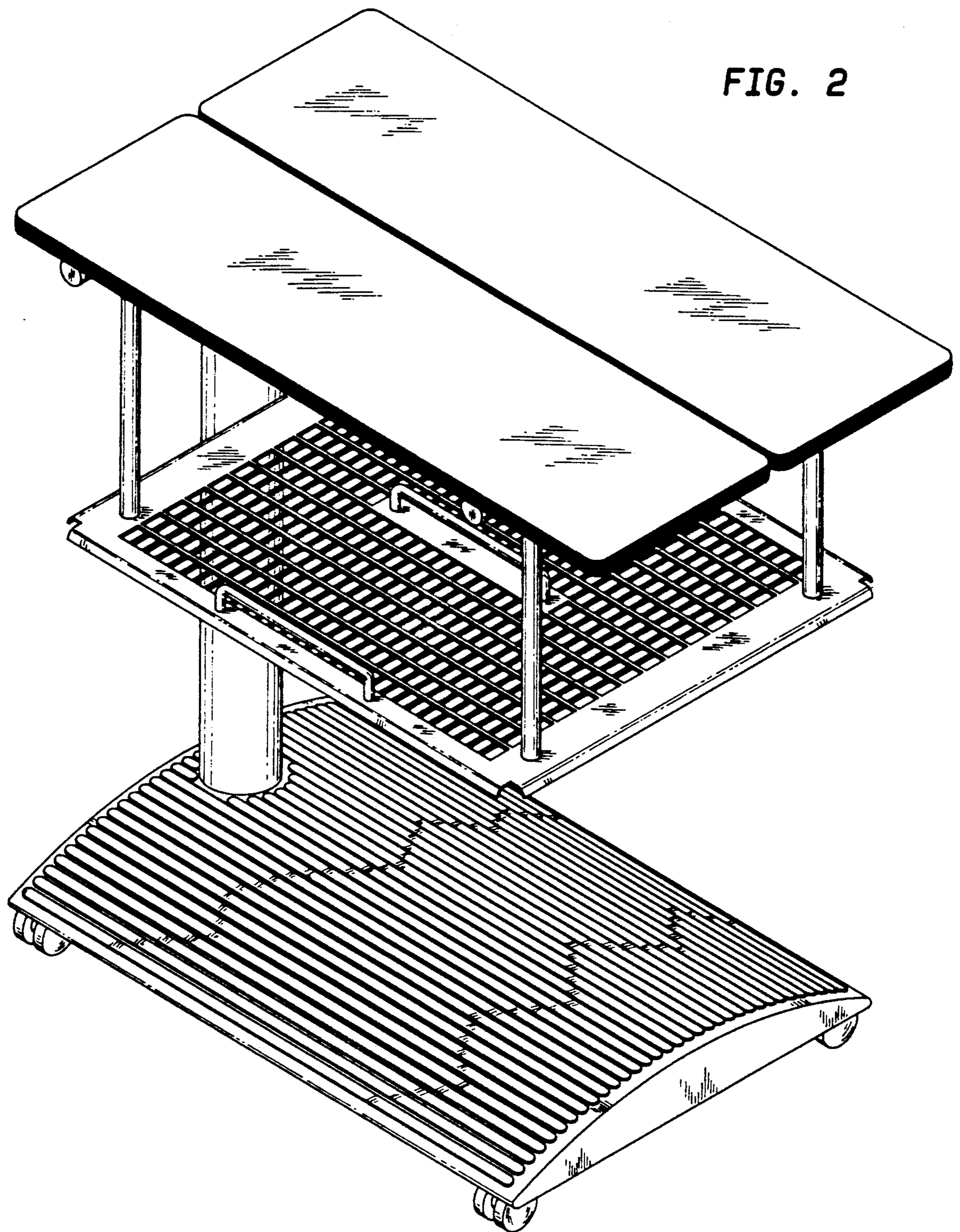


FIG. 2

FIG. 3

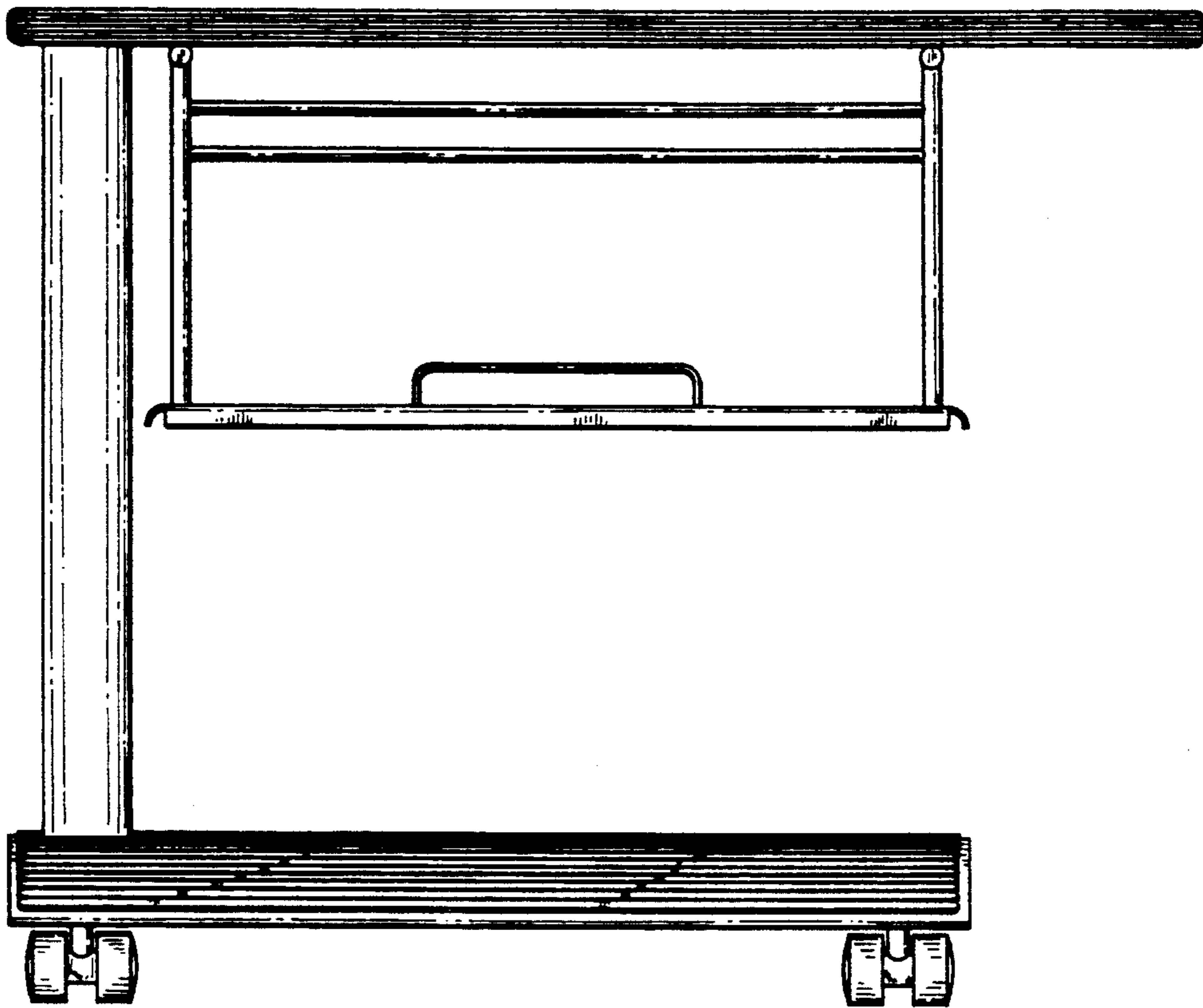


FIG. 4

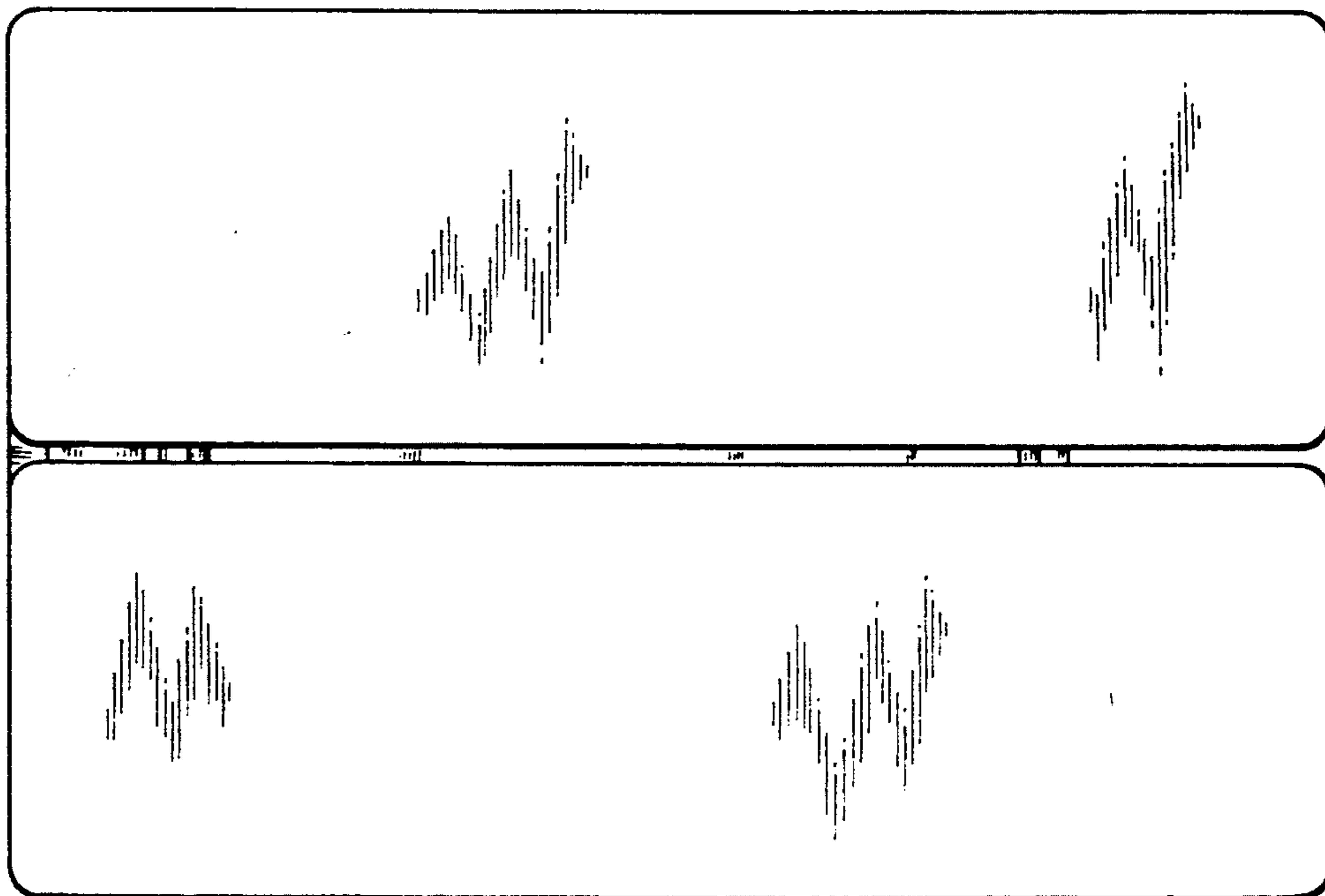


FIG. 5

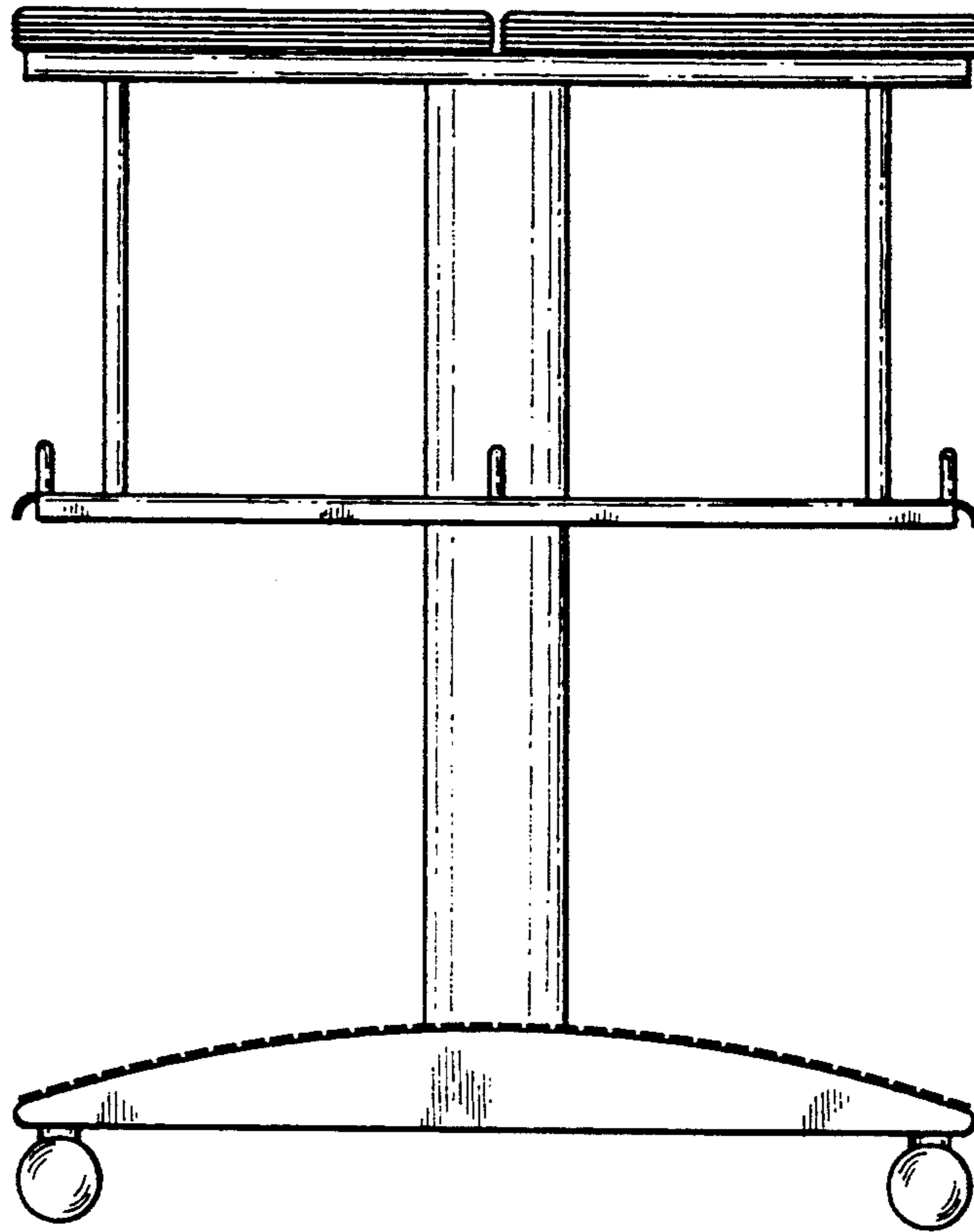


FIG. 6

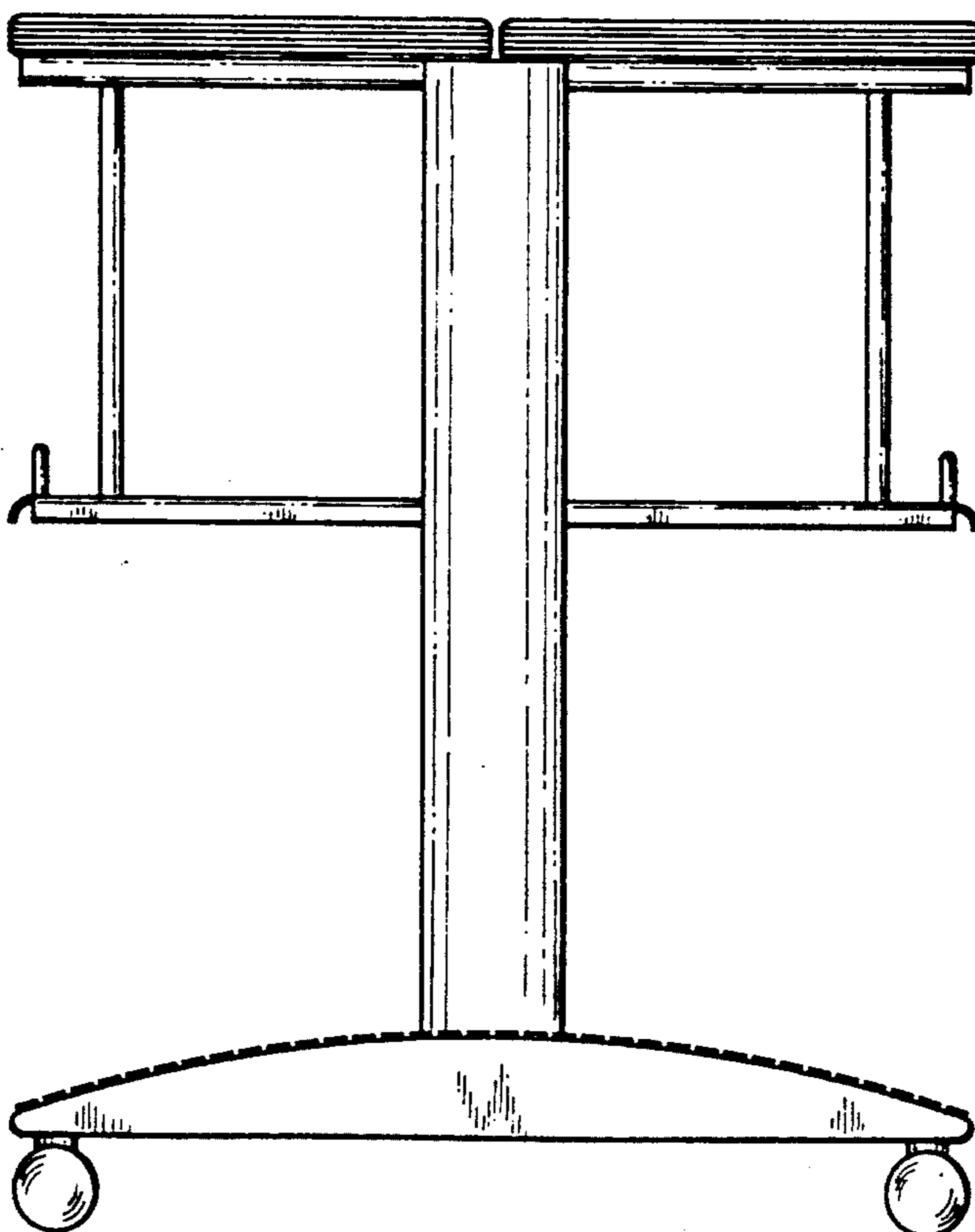


FIG. 7

