



US00D347336S

United States Patent [19]

[11] Patent Number: **Des. 347,336**

Gemette

[45] Date of Patent: **** May 31, 1994**

[54] PLANTER SUPPORT

[76] Inventor: **Basil S. Gemette**, 944 Summerfield Rd., Santa Rosa, Calif. 95405

[**] Term: **14 Years**

[21] Appl. No.: **9,555**

[22] Filed: **Jun. 18, 1993**

[52] U.S. Cl. **D6/403**

[58] Field of Search **D6/403; D11/153, 155, D11/156, 164**

[56] References Cited

U.S. PATENT DOCUMENTS

- D. 94,061 12/1934 Wiesenthal D6/405
- D. 213,178 1/1969 Nearing D9/456
- D. 259,870 7/1981 Marantette D11/164
- D. 289,864 5/1987 Pecoff D11/164

Primary Examiner—Alan P. Douglas

Assistant Examiner—S. Snapp

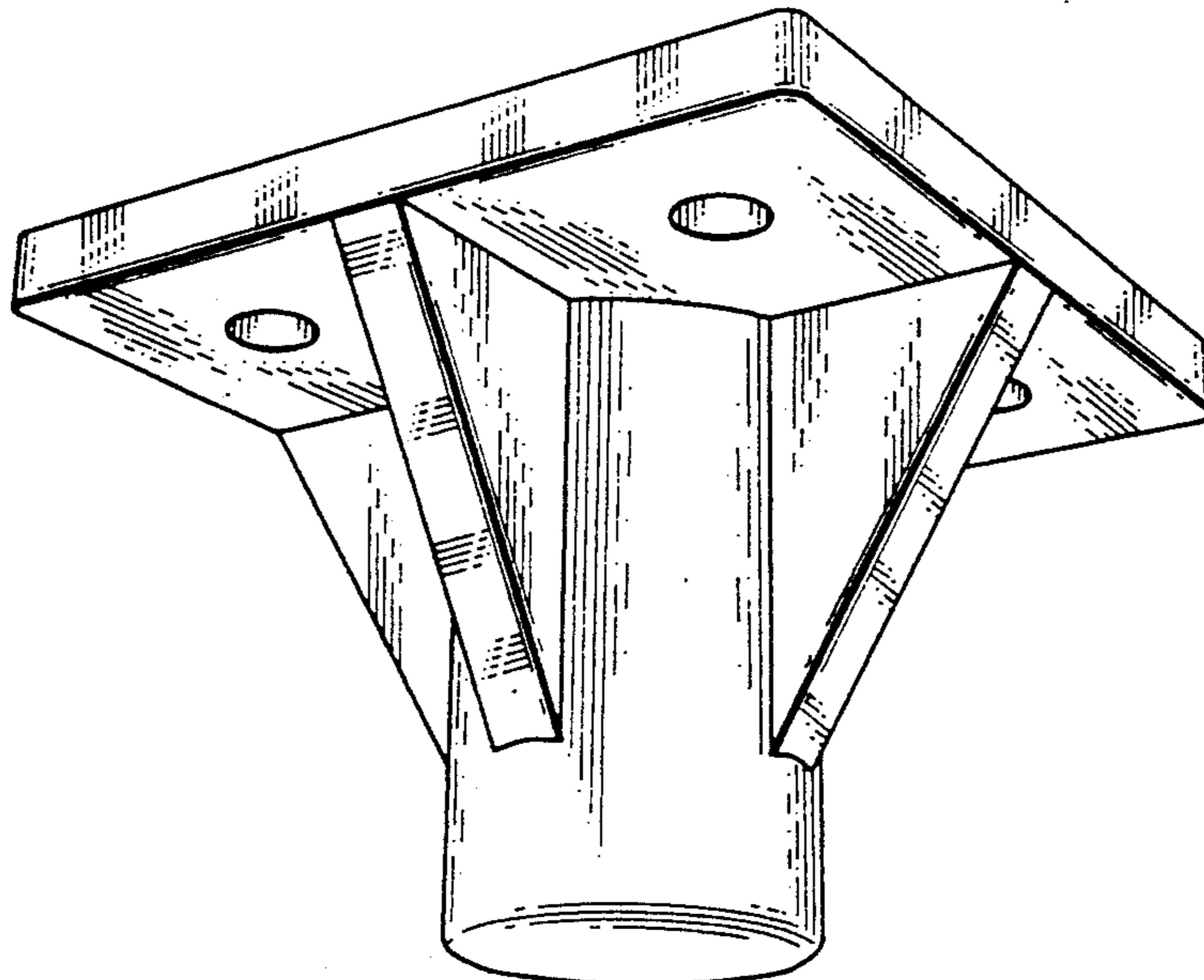
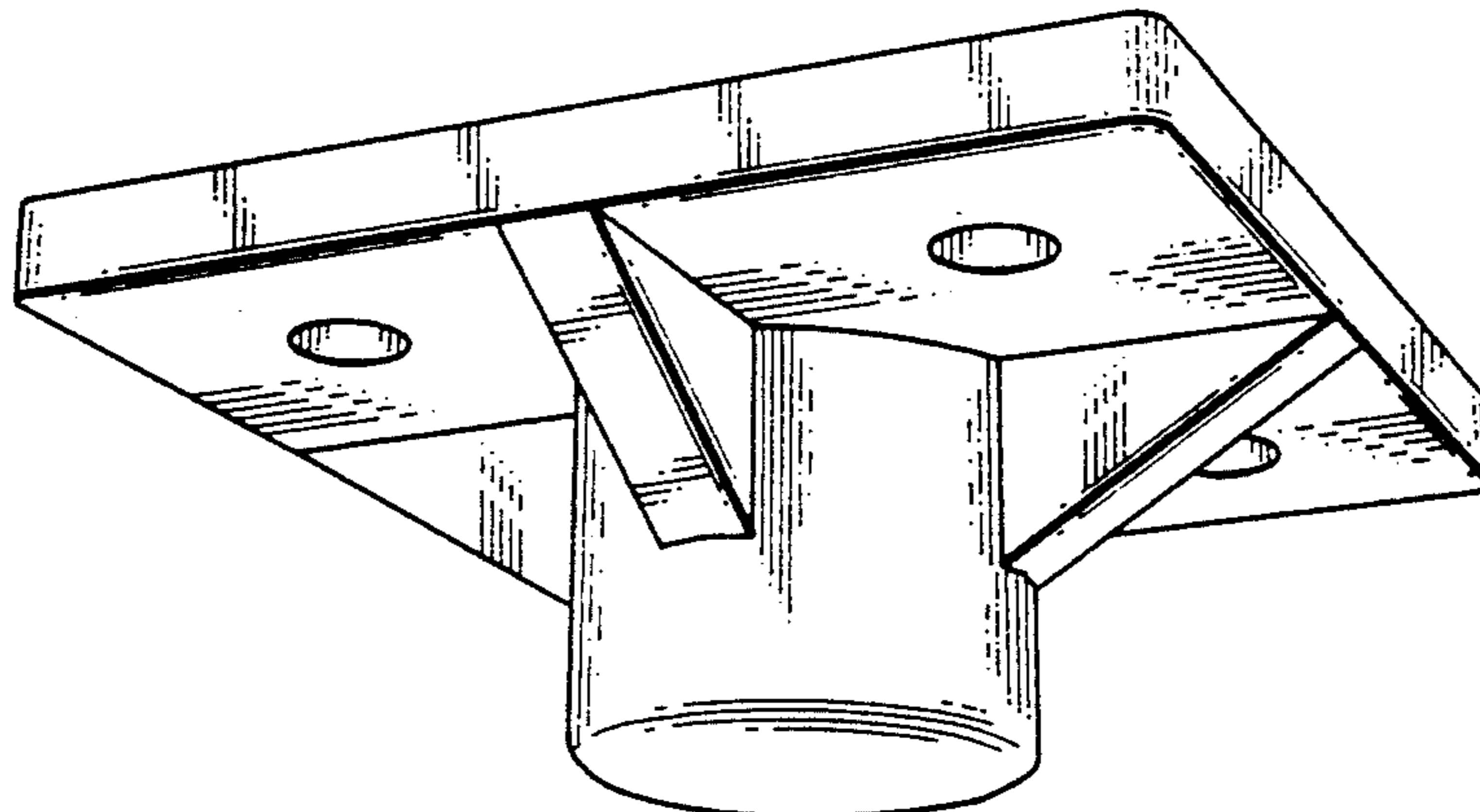
Attorney, Agent, or Firm—Thomas R. Lampe

[57] CLAIM

The ornamental design for a planter support, as shown and described.

DESCRIPTION

FIG. 1 is a perspective view of a planter support showing my new design;
 FIG. 2 is a top plan view thereof;
 FIG. 3 is a bottom plan view thereof;
 FIG. 4 is a front elevational view thereof, the rear elevational view being a mirror image;
 FIG. 5 is a left side elevational view thereof, the right side elevational view being a mirror image;
 FIG. 6 is a perspective view of a second embodiment of a planter support showing my new design;
 FIG. 7 is a top plan view thereof;
 FIG. 8 is a bottom plan view thereof;
 FIG. 9 is a front elevational view thereof, the rear elevational view being a mirror image; and,
 FIG. 10 is a left side elevational view thereof, the right side elevational view being a mirror image.



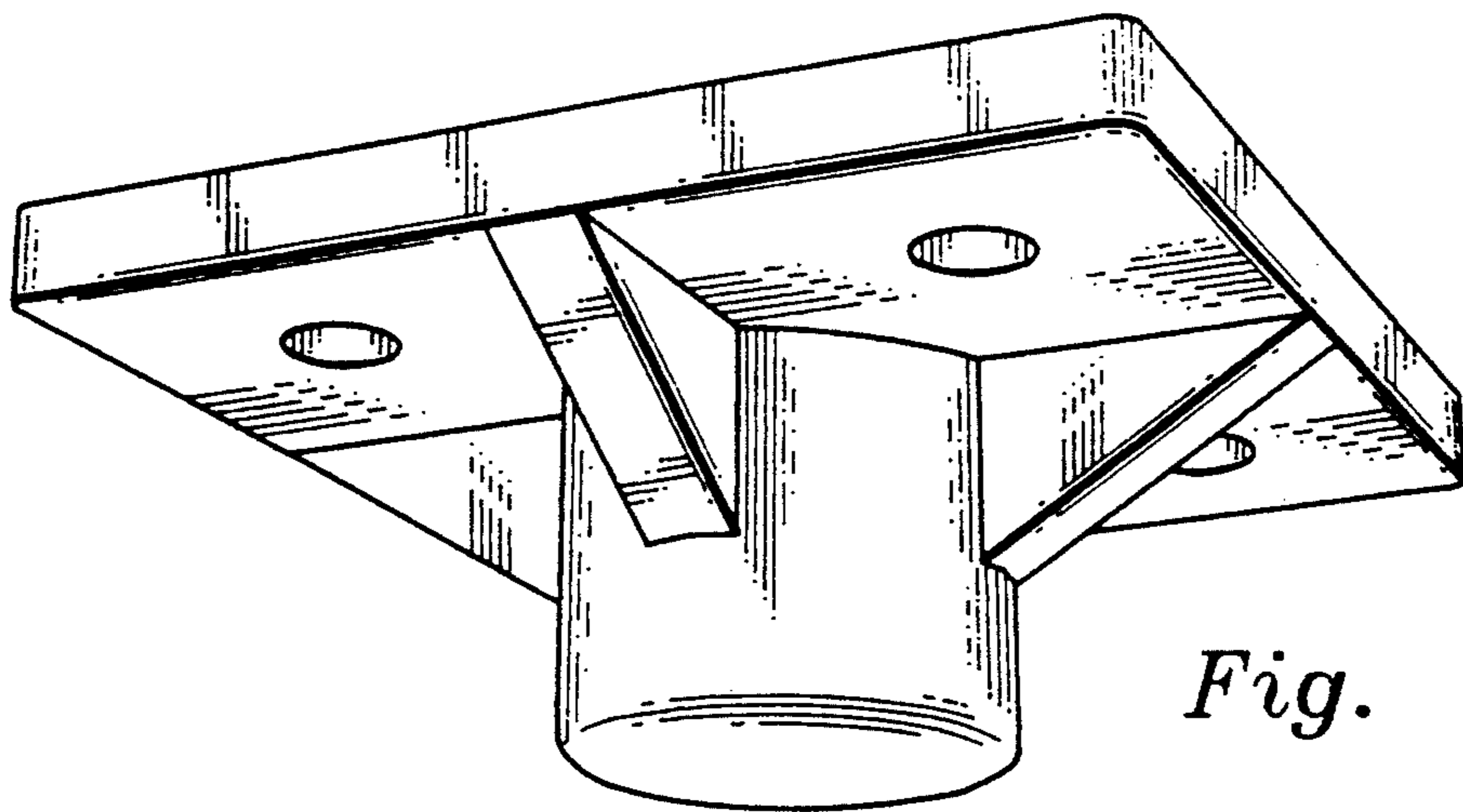


Fig. 1

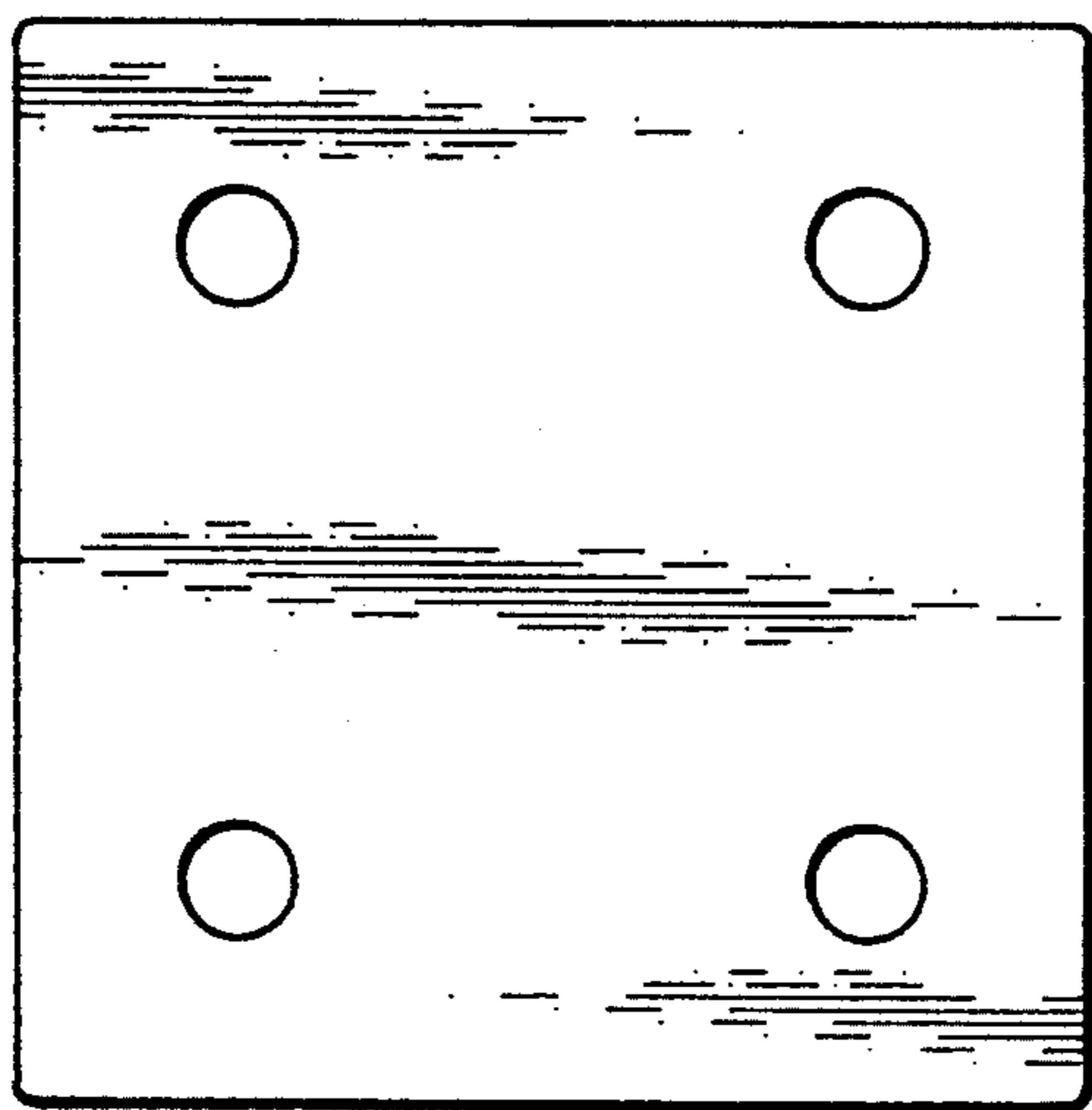


Fig. 2

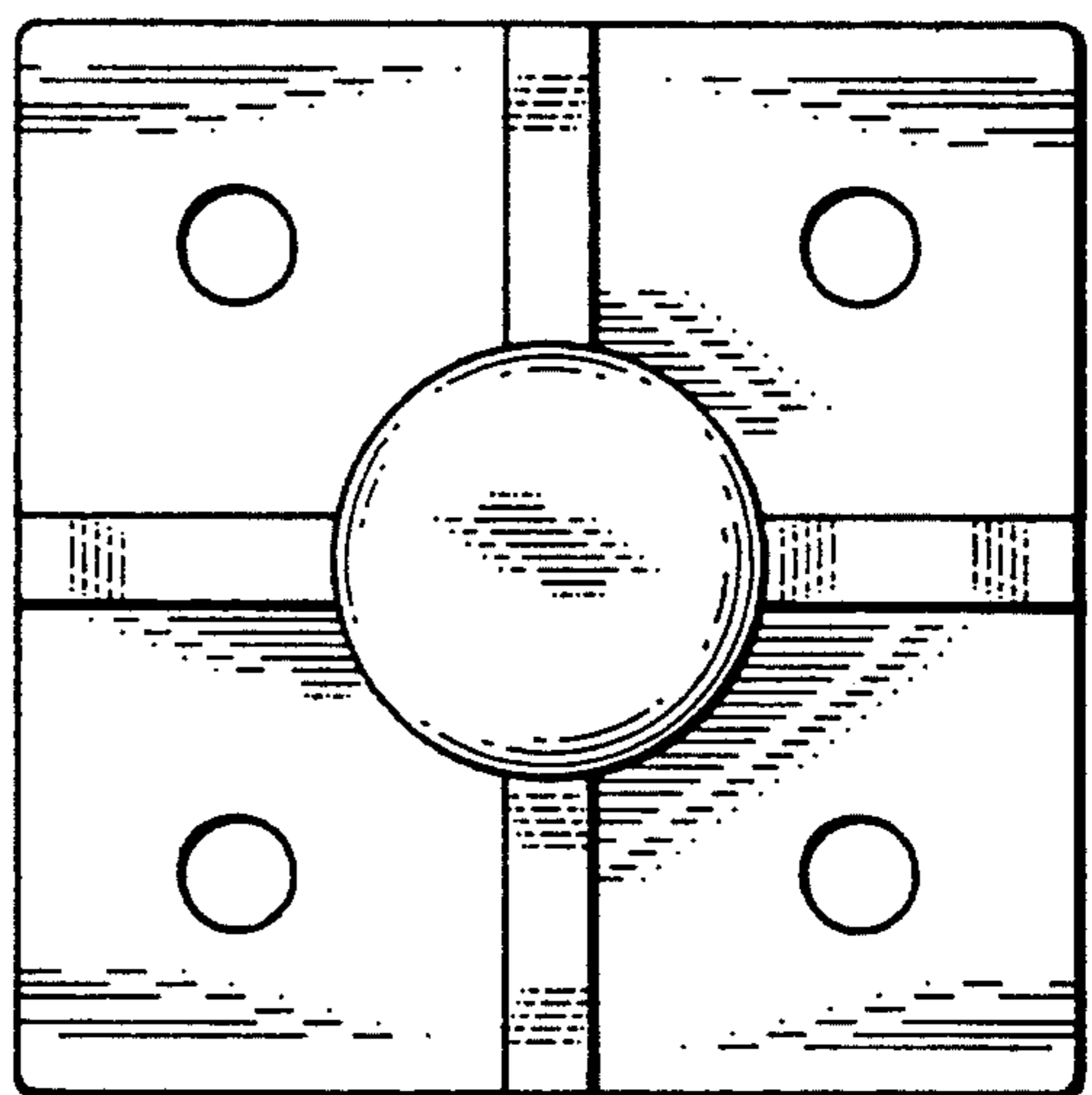


Fig. 3

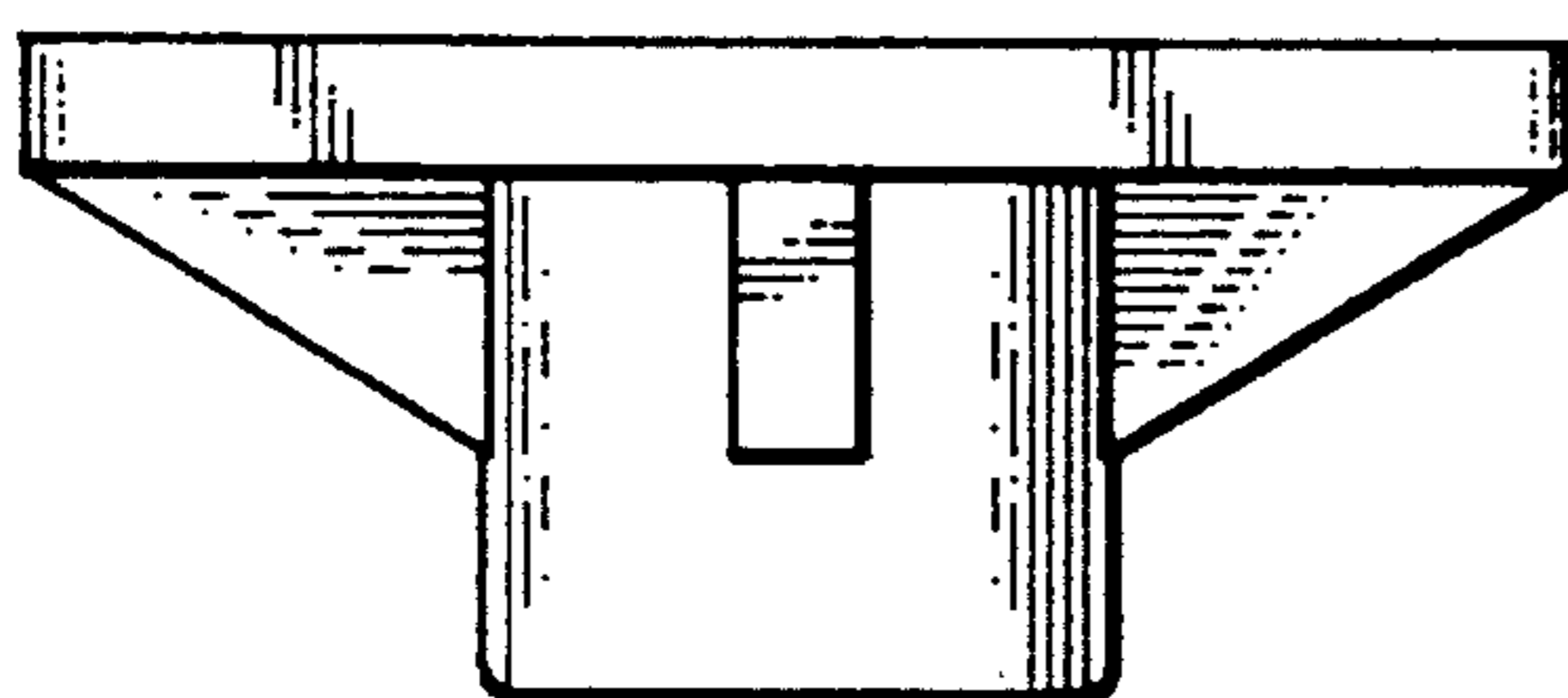


Fig. 4

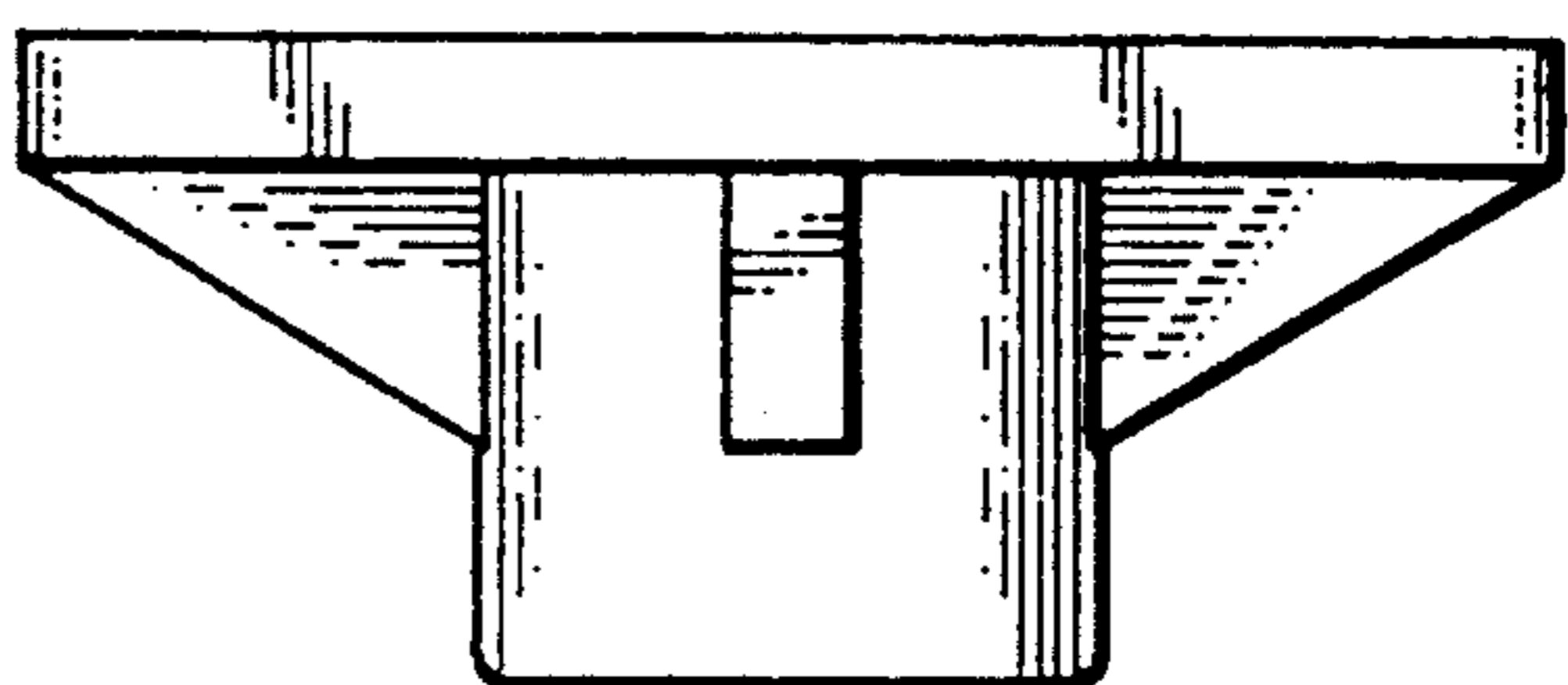


Fig. 5

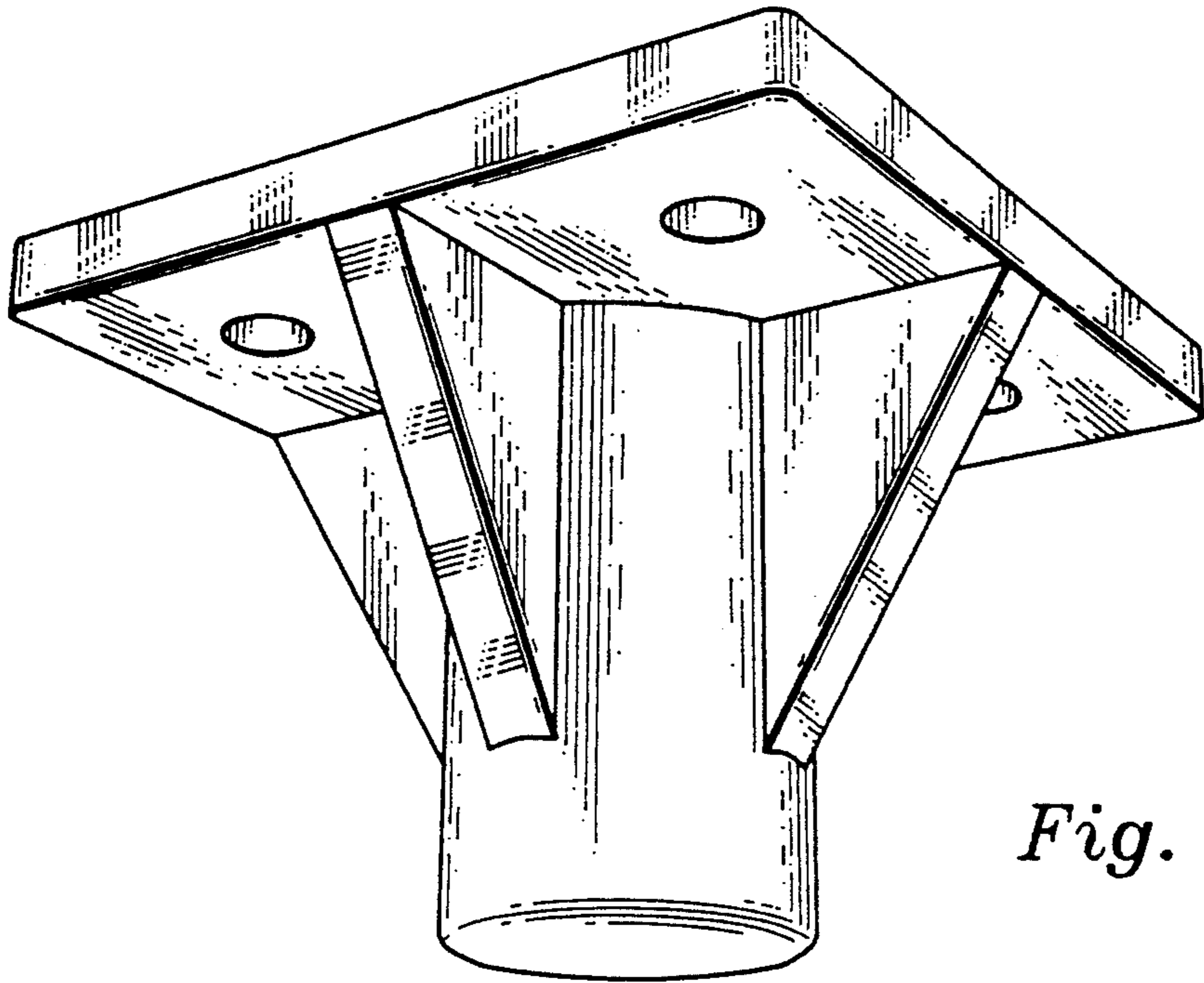


Fig. 6

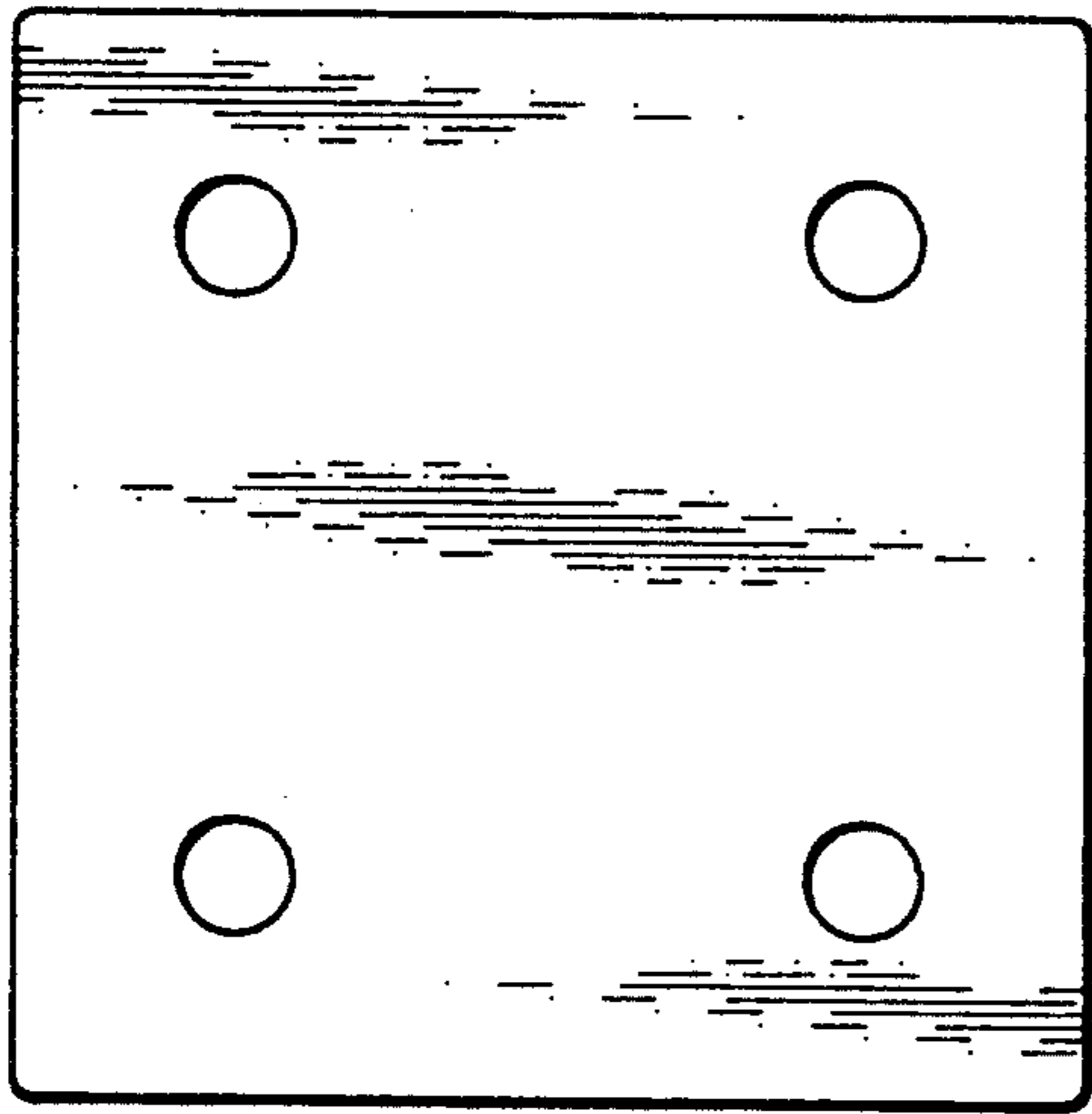


Fig. 7

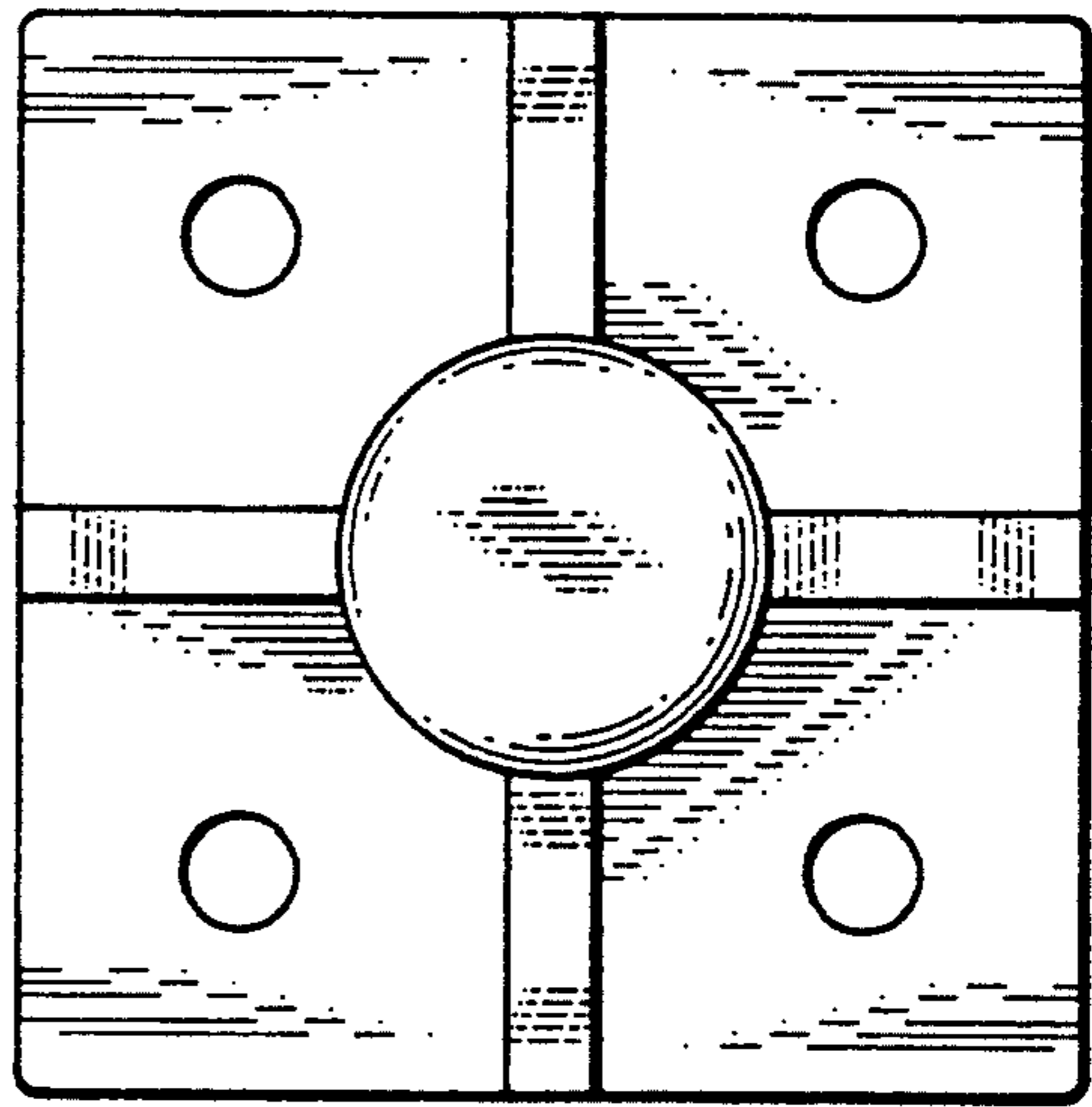


Fig. 8

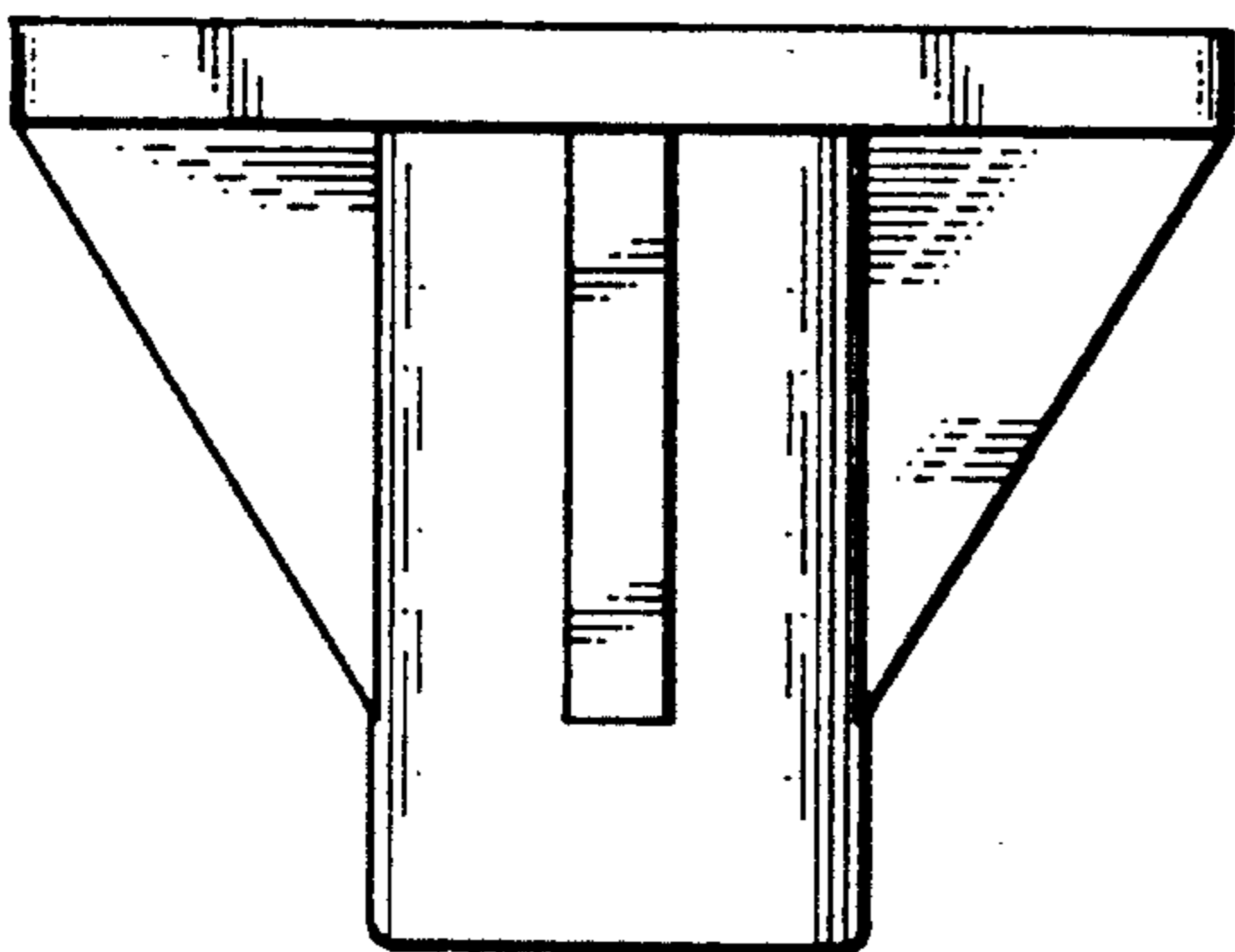


Fig. 9

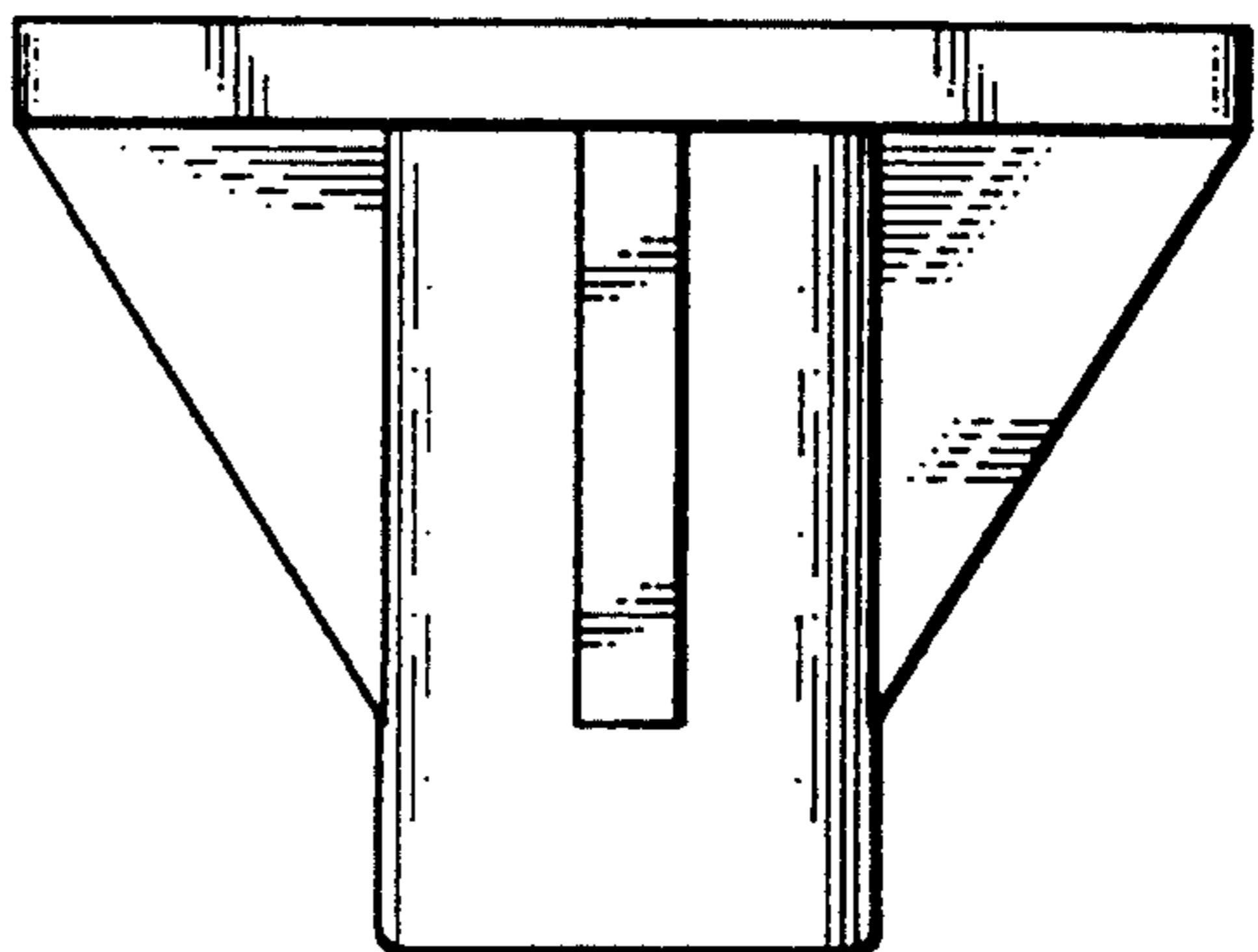


Fig. 10