



US00D347334S

United States Patent [19]

[11] Patent Number: **Des. 347,334**

Fewchuk

[45] Date of Patent: **** May 31, 1994**

[54] **SIDE CHAIR**

[75] Inventor: **Michael A. Fewchuk, Eastwood, Australia**

[73] Assignee: **Sebel Furniture Limited, Bankstown, Australia**

[**] Term: **14 Years**

[21] Appl. No.: **948,696**

[22] Filed: **Sep. 11, 1992**

[30] **Foreign Application Priority Data**

Mar. 12, 1992 [AU] Australia 617/92

[52] U.S. Cl. **D6/375; D6/374**

[58] Field of Search **D6/334, 374, 375, 376, D6/380, 500, 501, 502; 297/446, 452.15, DIG.**

2

[56] **References Cited**

U.S. PATENT DOCUMENTS

- D. 156,376 12/1949 Schladermundt et al. D6/375
- D. 185,850 8/1959 Christenson et al. D6/334
- D. 192,559 4/1962 Chapman D6/375
- D. 193,340 8/1962 Sundberg et al. D6/374
- D. 202,264 9/1965 Albinson D6/374

- D. 210,940 5/1968 Eames D6/375
- D. 214,315 6/1969 Bartholomew D6/374
- D. 214,622 7/1969 Schier et al. D6/375
- D. 236,670 9/1975 Oyeda D6/375
- D. 292,149 10/1987 Monesi D6/380
- D. 299,890 2/1989 Wood D6/380
- D. 300,885 5/1989 Ochsner D6/380

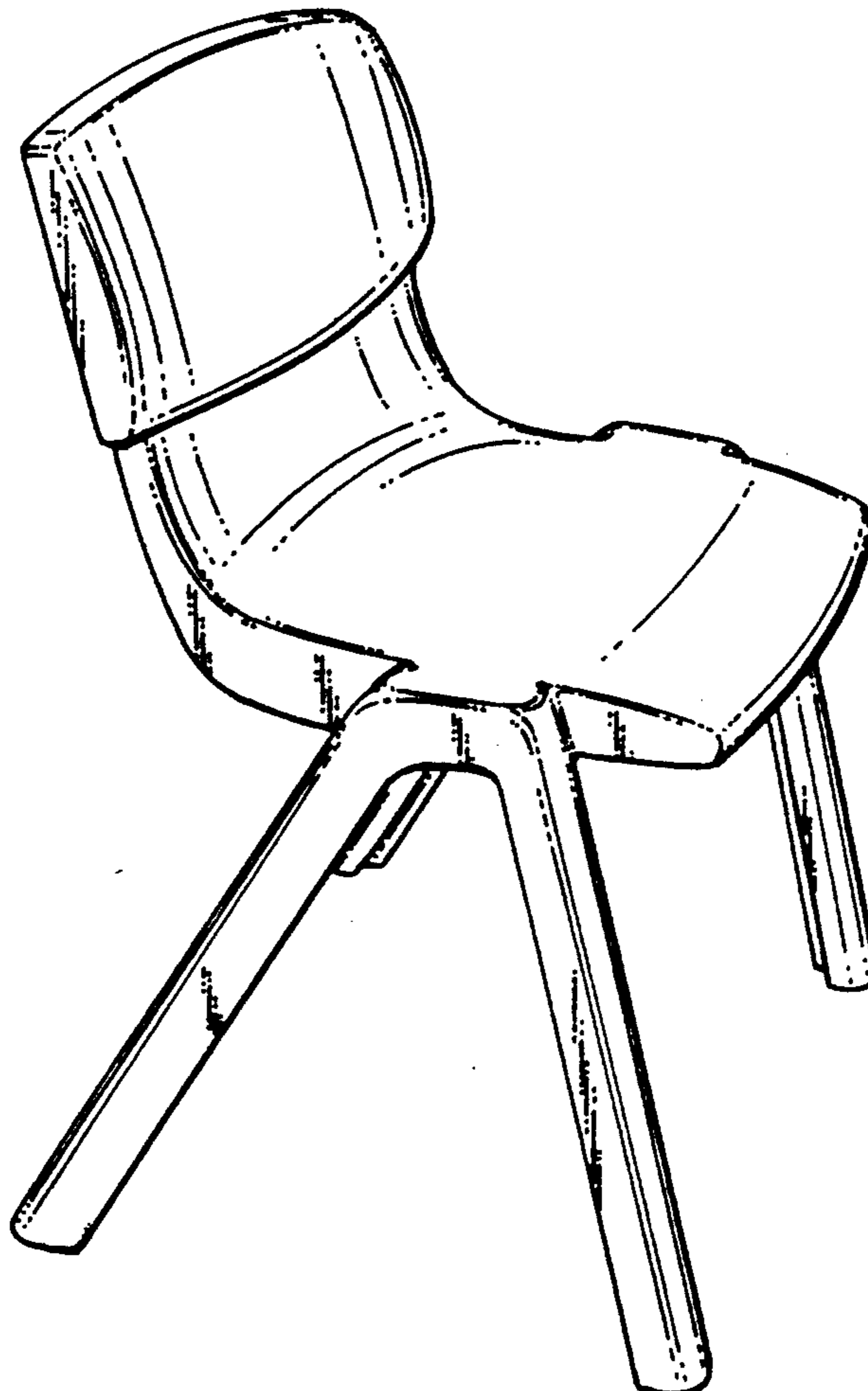
Primary Examiner—Alan P. Douglas
Assistant Examiner—Gary D. Watson
Attorney, Agent, or Firm—Townsend & Townsend, Khourie & Crew

[57] **CLAIM**

The ornamental design for a side chair, as shown and described.

DESCRIPTION

FIG. 1 is a side, top, front perspective view of a side chair showing my new design;
FIG. 2 is a side, rear, top perspective view thereof;
FIG. 3 is a top plan view thereof;
FIG. 4 is a front elevational view thereof;
FIG. 5 is a rear elevational view thereof;
FIG. 6 is a right side elevational view thereof;
FIG. 7 is a left side elevational view thereof; and,
FIG. 8 is a bottom plan view thereof.



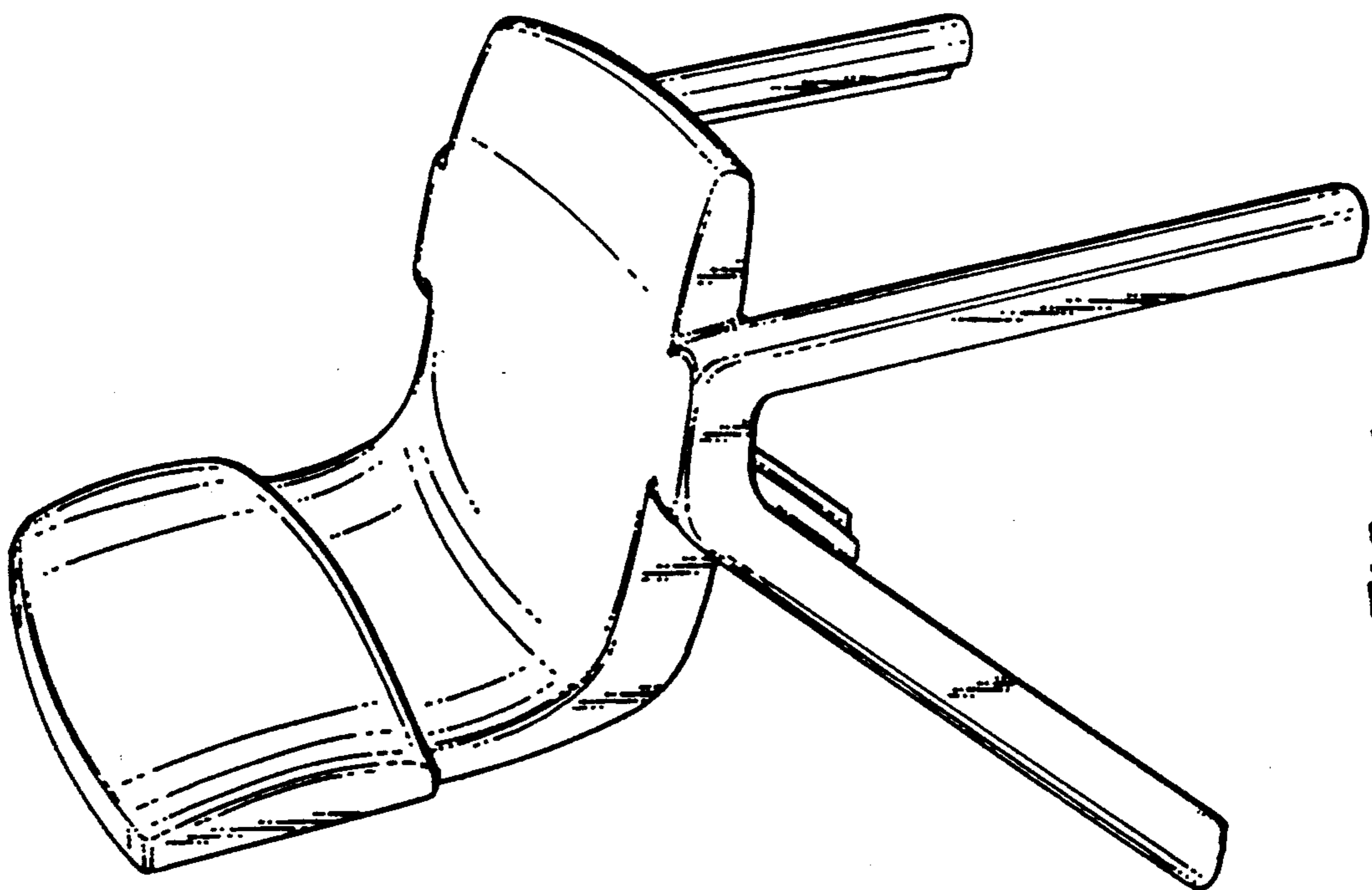


FIG. 1.

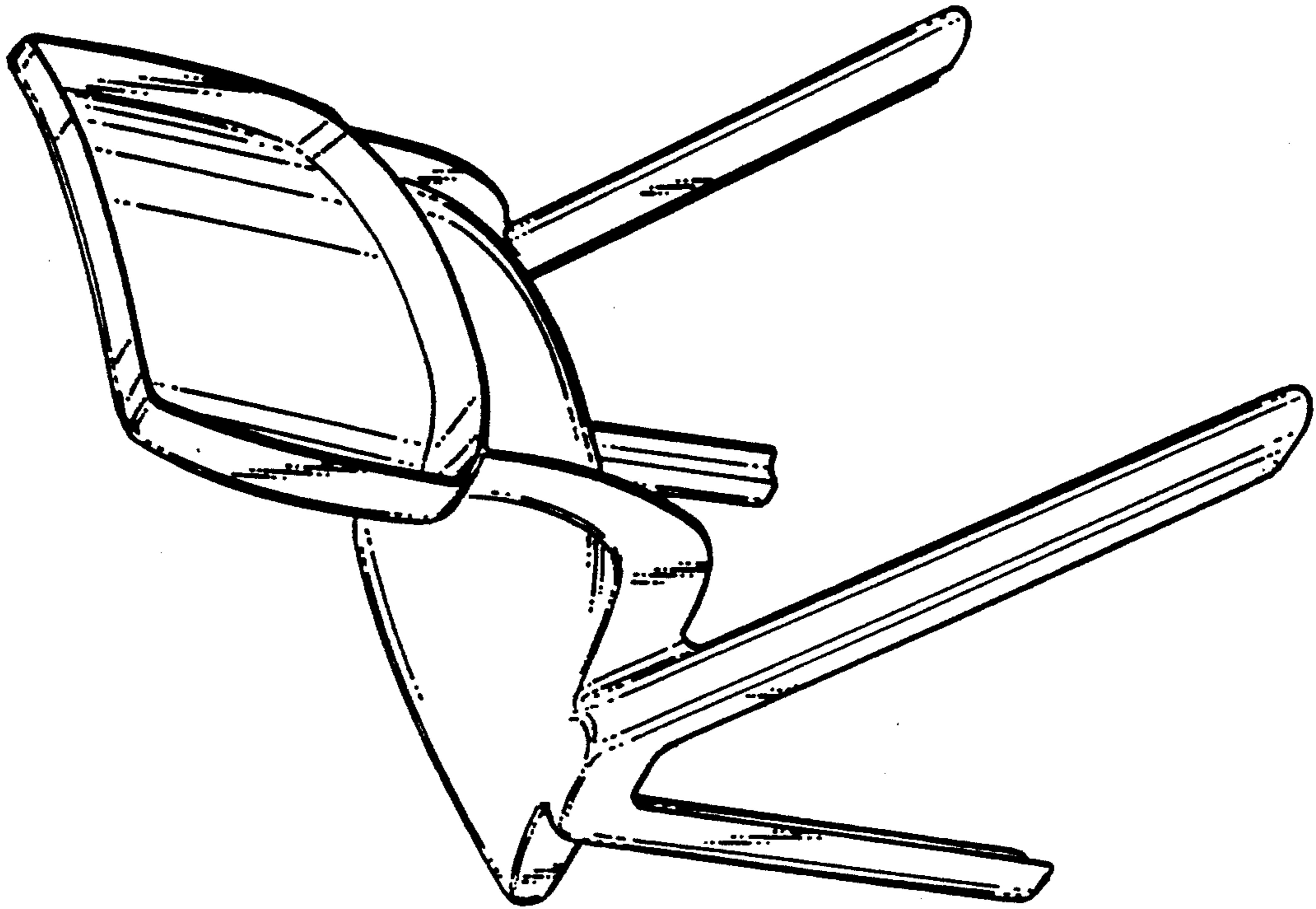


FIG. 2.

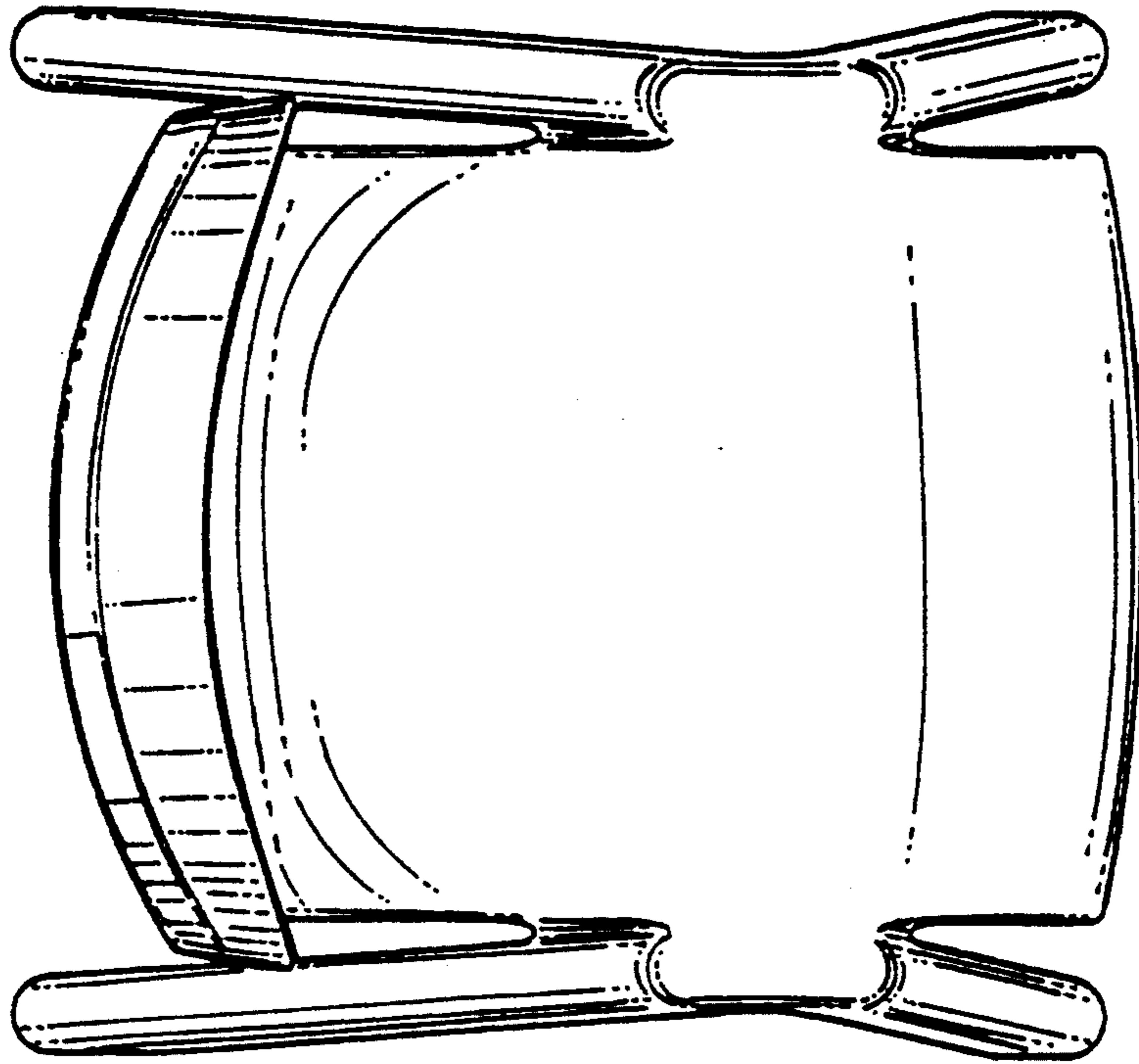


FIG. 3.

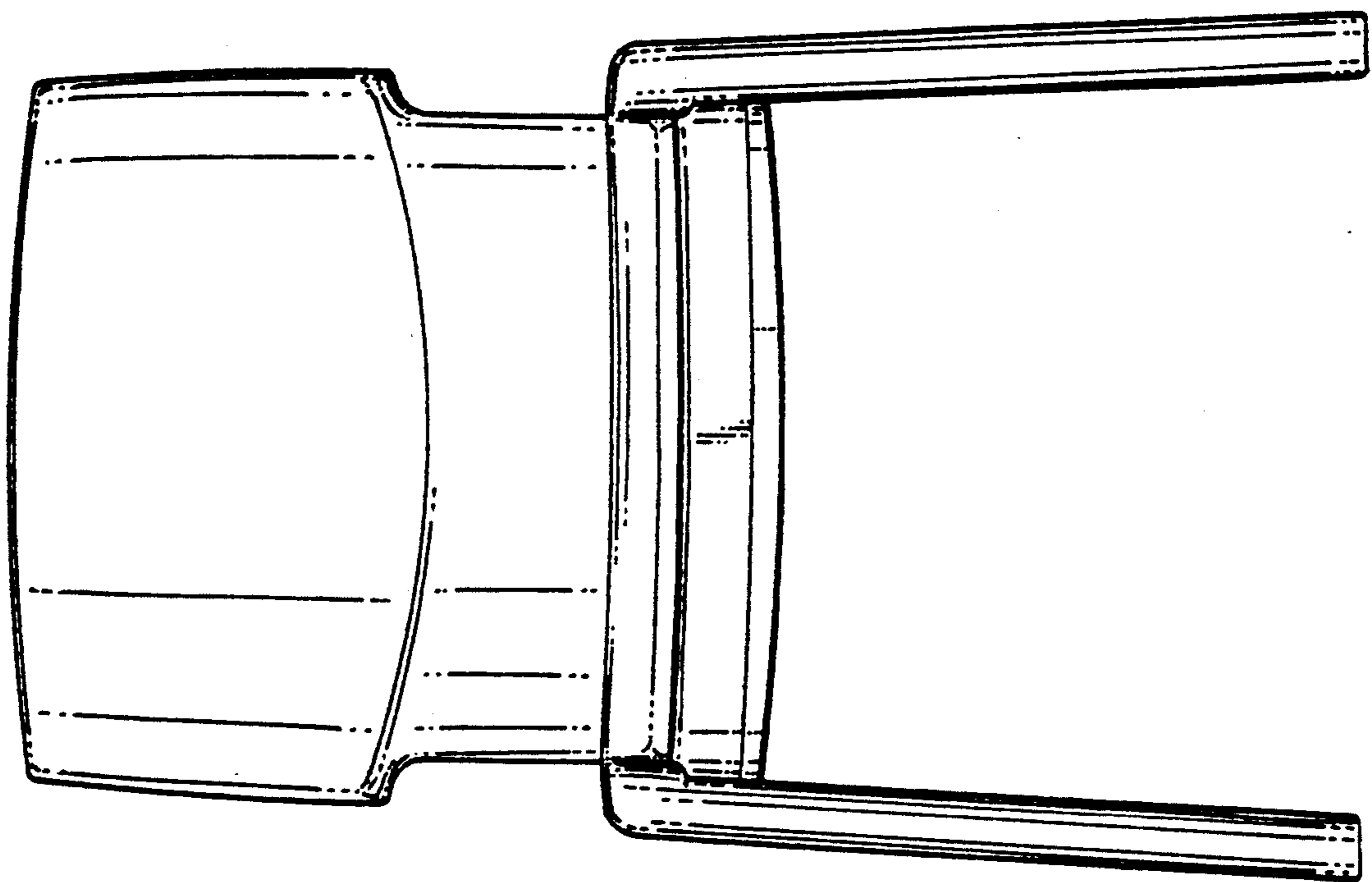


FIG. 4.

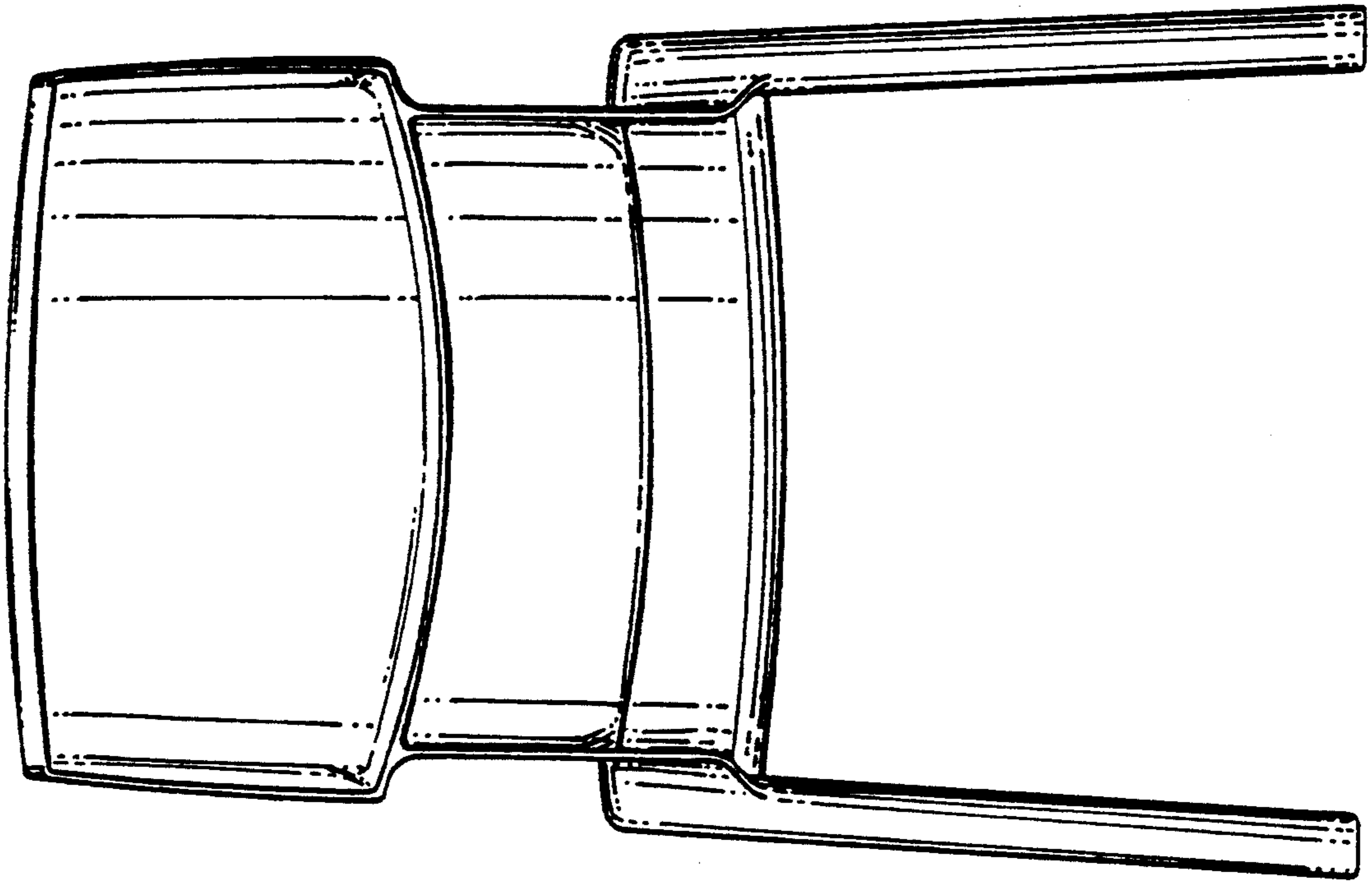


FIG. 5.

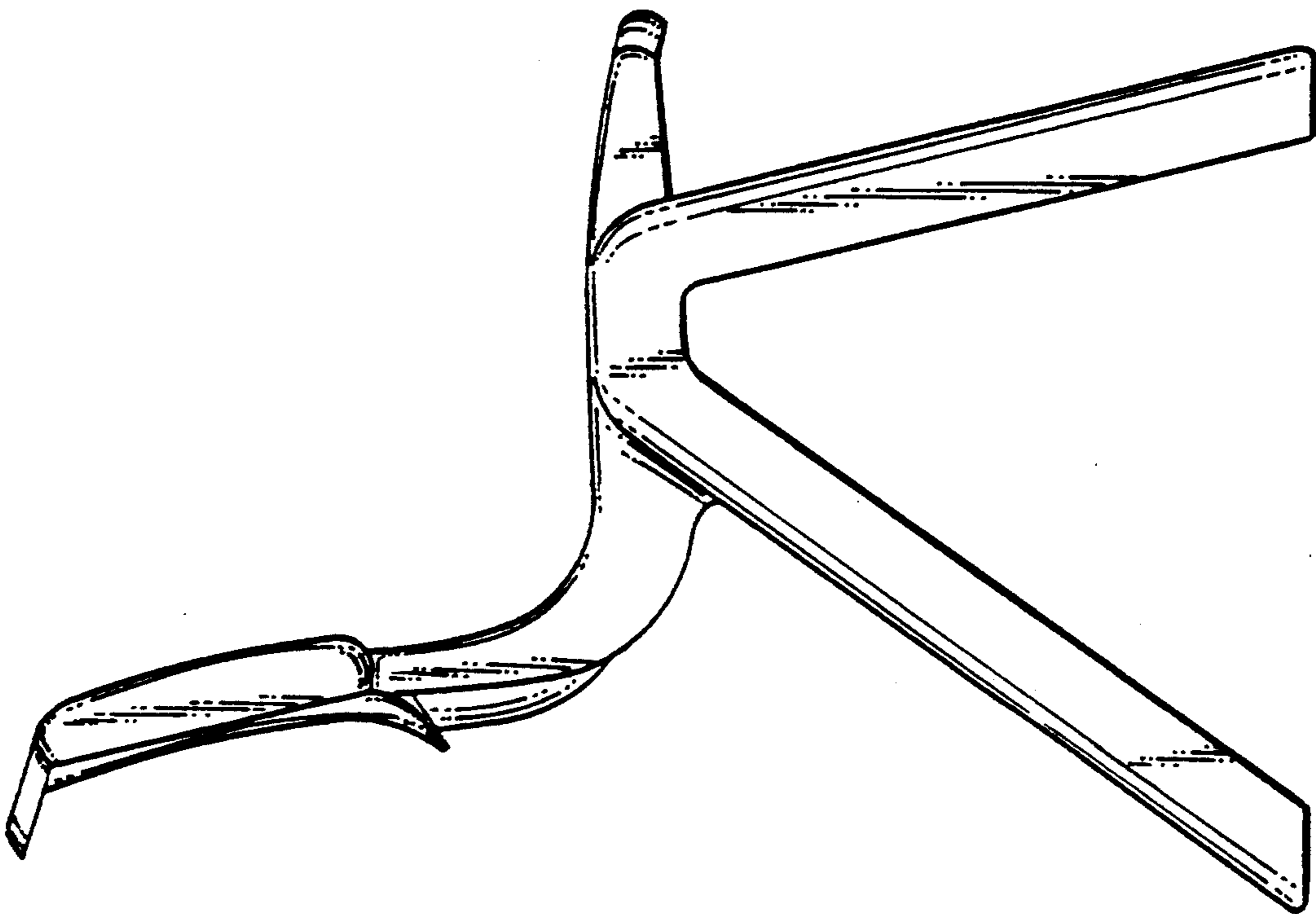


FIG. 6.

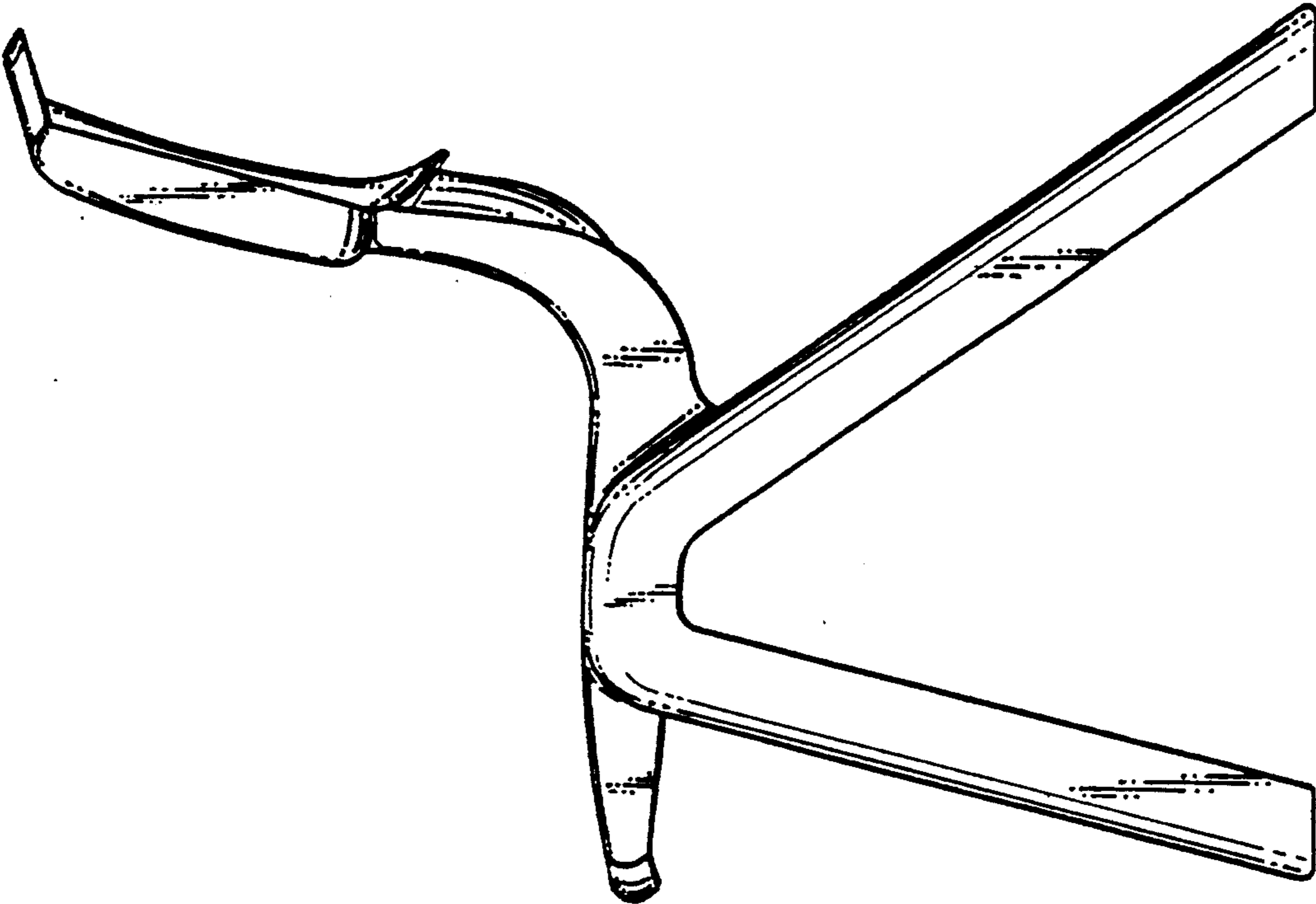


FIG. 7.

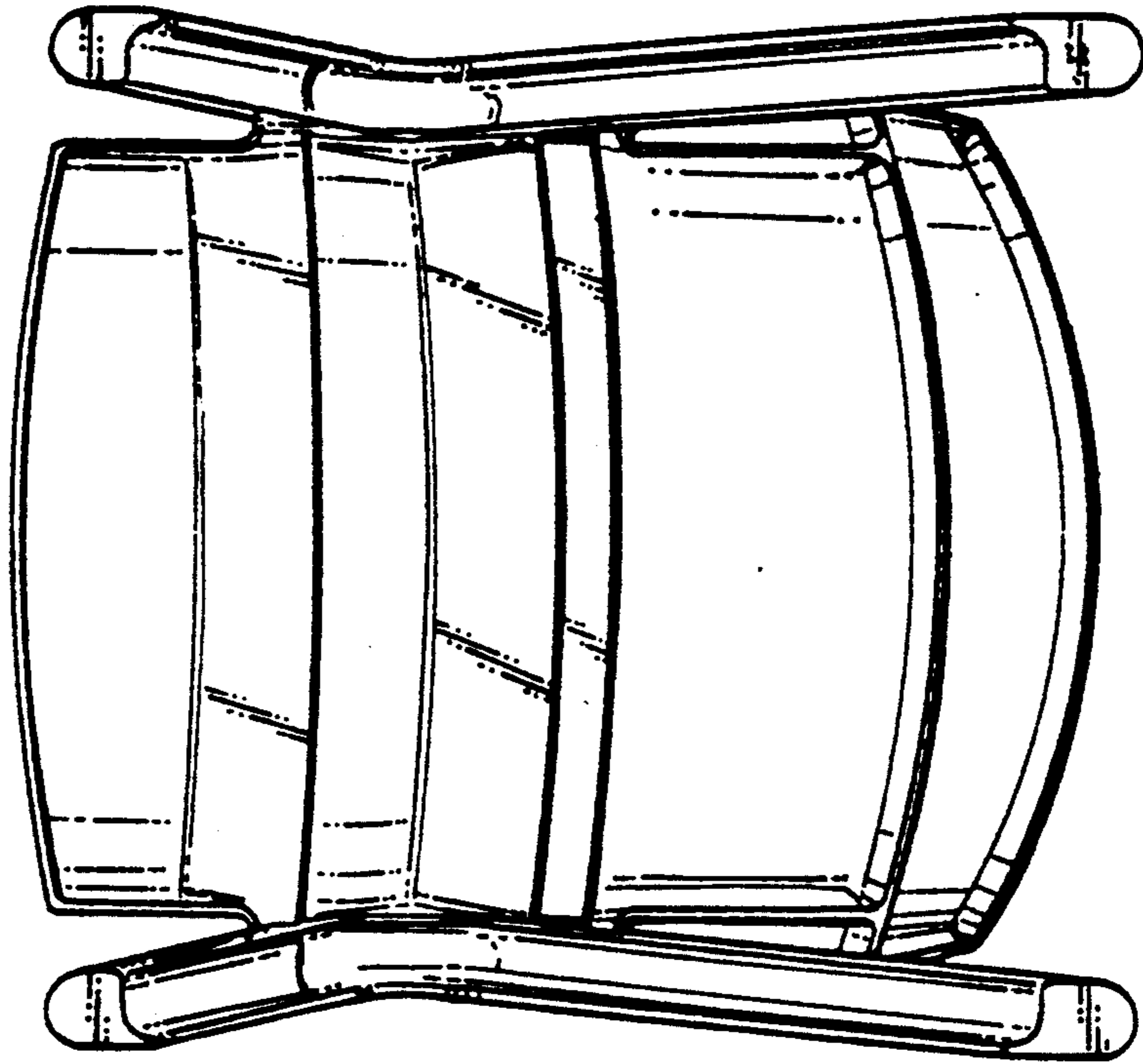


FIG. 8.