



US00D347333S

# United States Patent [19]

Von Klier

[11] Patent Number: **Des. 347,333**

[45] Date of Patent: **\*\* May 31, 1994**

[54] **CHAIR**

[75] Inventor: **Hans Von Klier, Milan, Italy**

[73] Assignee: **Olivetti Synthesis S.p.A., Ivrea, Italy**

[\*\*] Term: **14 Years**

[21] Appl. No.: **841,751**

[22] Filed: **Feb. 28, 1992**

[30] **Foreign Application Priority Data**

Aug. 29, 1991 [IT] Italy ..... TO910000185

[52] U.S. Cl. .... **D6/366**

[58] Field of Search ..... D6/334, 365, 366, 374, D6/375, 379, 498, 500, 501, 502; 297/411.44

[56] **References Cited**

**U.S. PATENT DOCUMENTS**

D. 119,047	2/1940	Page	.....	D6/366
D. 274,675	7/1984	Diffrient	.....	D6/366
D. 301,662	6/1989	Vonhausen	.....	D6/366
D. 330,808	11/1992	Citterio	.....	D6/366
D. 330,809	11/1992	Citterio	.....	D6/366
D. 332,182	1/1993	Citterio	.....	D6/366
D. 339,924	10/1993	Fahnstrom et al.	.....	D6/366
D. 339,926	10/1993	Fahnstrom et al.	.....	D6/366

D. 339,927 10/1993 Fahnstrom et al. .... D6/366

*Primary Examiner*—Alan P. Douglas  
*Assistant Examiner*—Gary D. Watson  
*Attorney, Agent, or Firm*—Banner, Birch, McKie & Beckett

[57] **CLAIM**

The ornamental design for a chair, as shown and described.

**DESCRIPTION**

FIG. 1 is a top and right perspective view of a chair showing a first embodiment of my new design; FIG. 2 is a rear and right perspective view thereof; FIG. 3 is a front plan view thereof; FIG. 4 is a left side elevational view thereof; FIG. 5 is a bottom plan view thereof; FIG. 6 is a top and right perspective view of a chair showing a second embodiment of my new design; FIG. 7 is a rear and right perspective view of the chair of FIG. 6; FIG. 8 is a front plan view of the chair of FIG. 6; FIG. 9 is a left side elevational view of the chair of FIG. 6; and, FIG. 10 is a bottom plan view of the chair of FIG. 6.



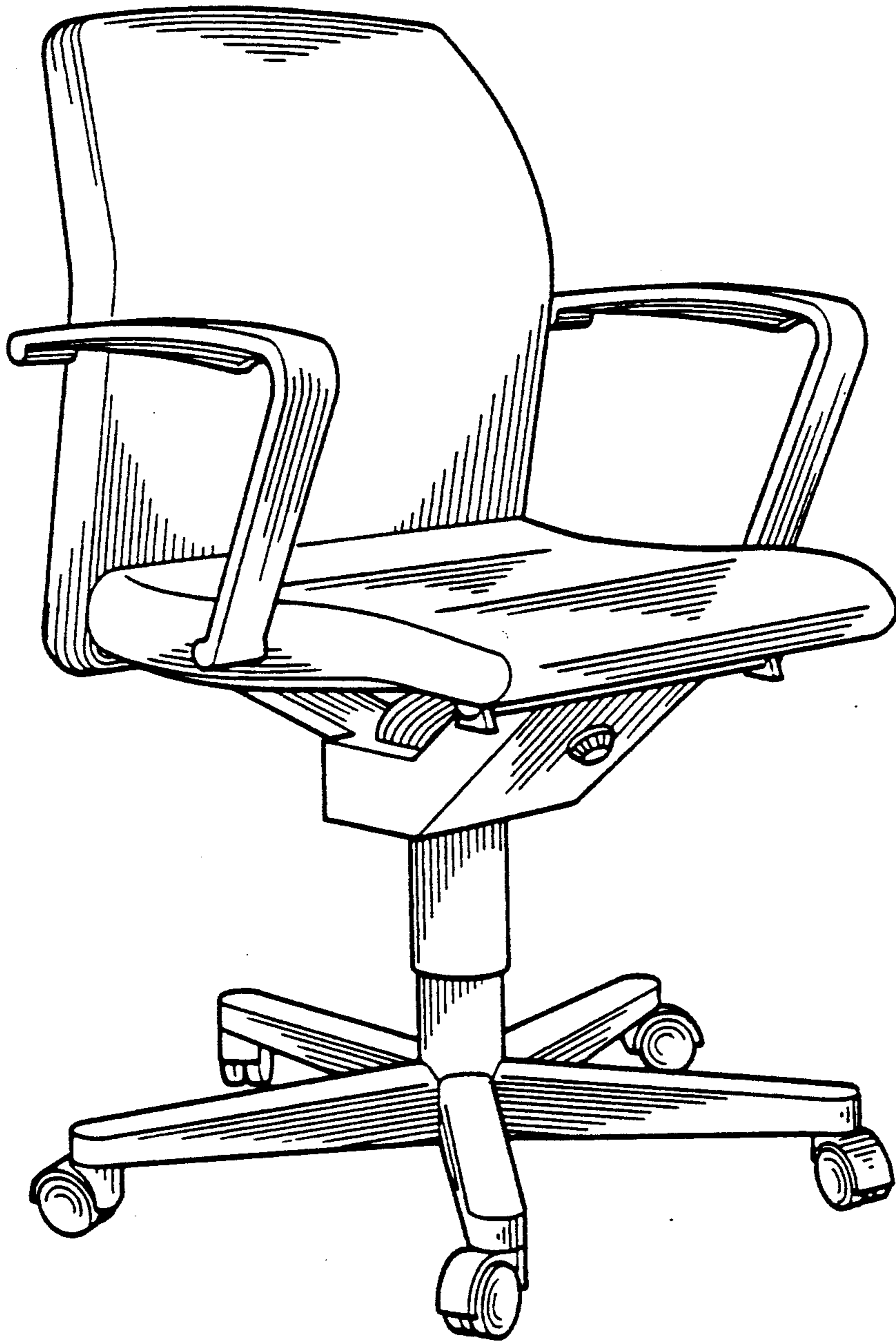


FIG. 1

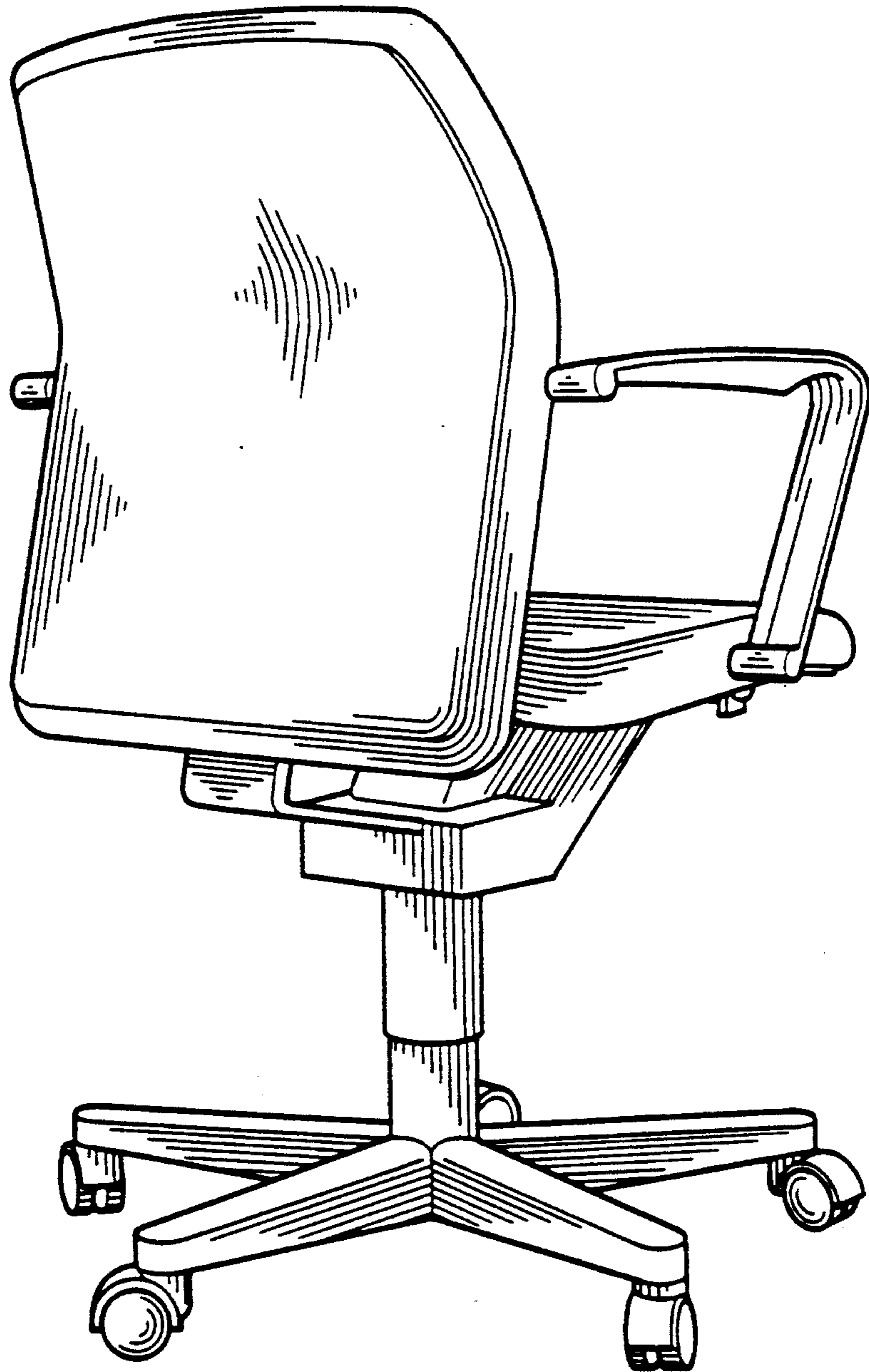


FIG. 2

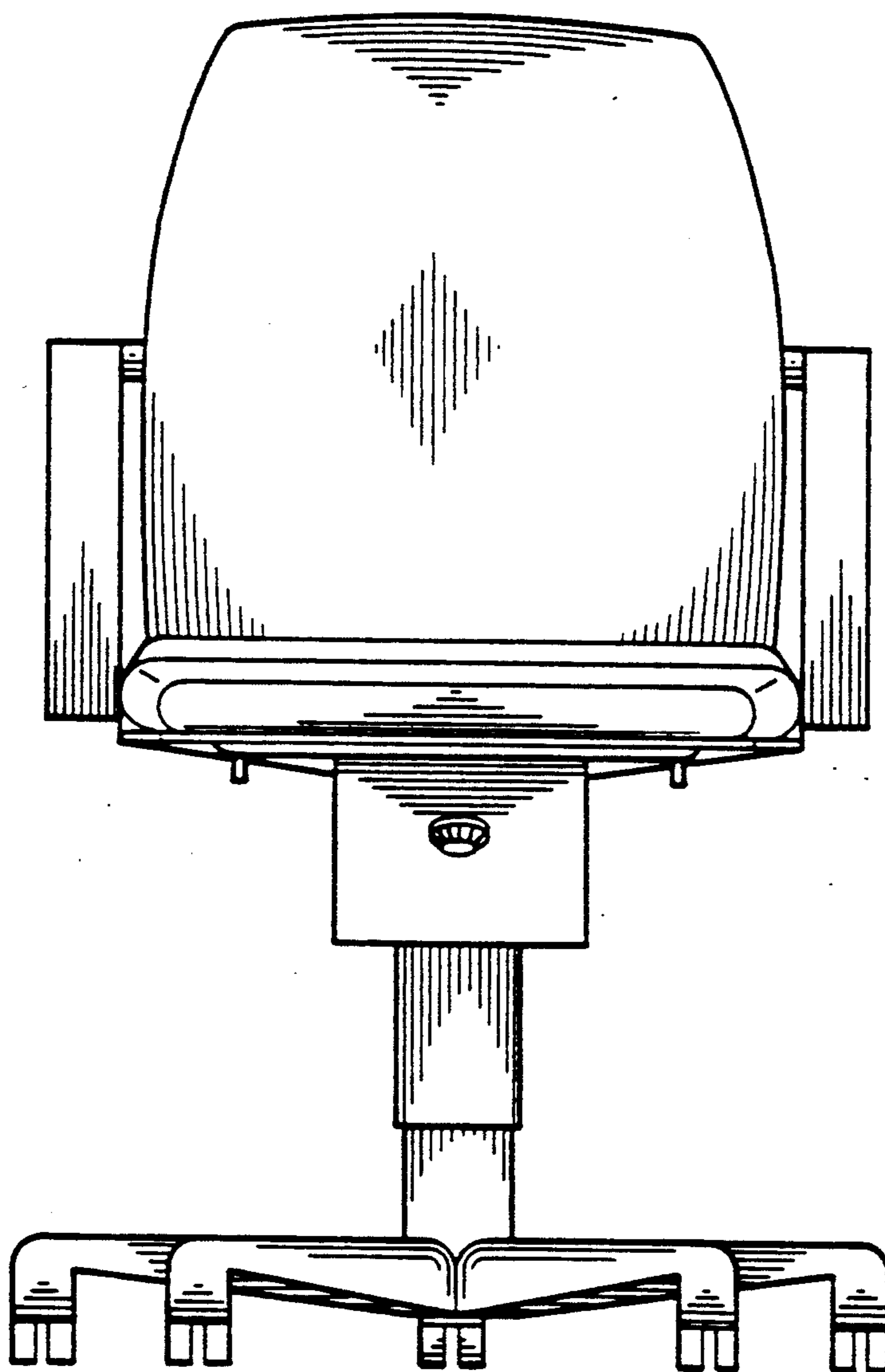


FIG. 3

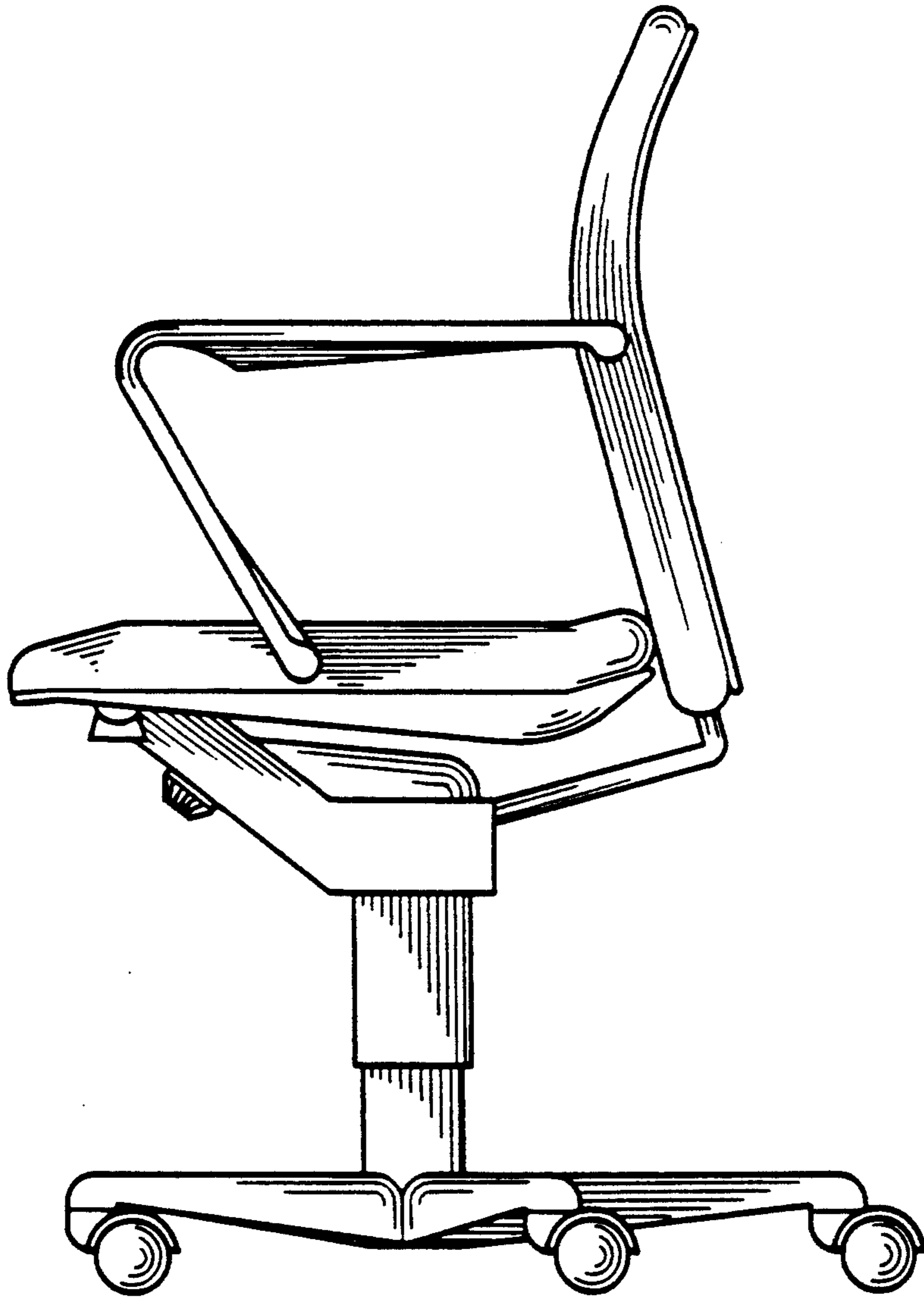


FIG. 4

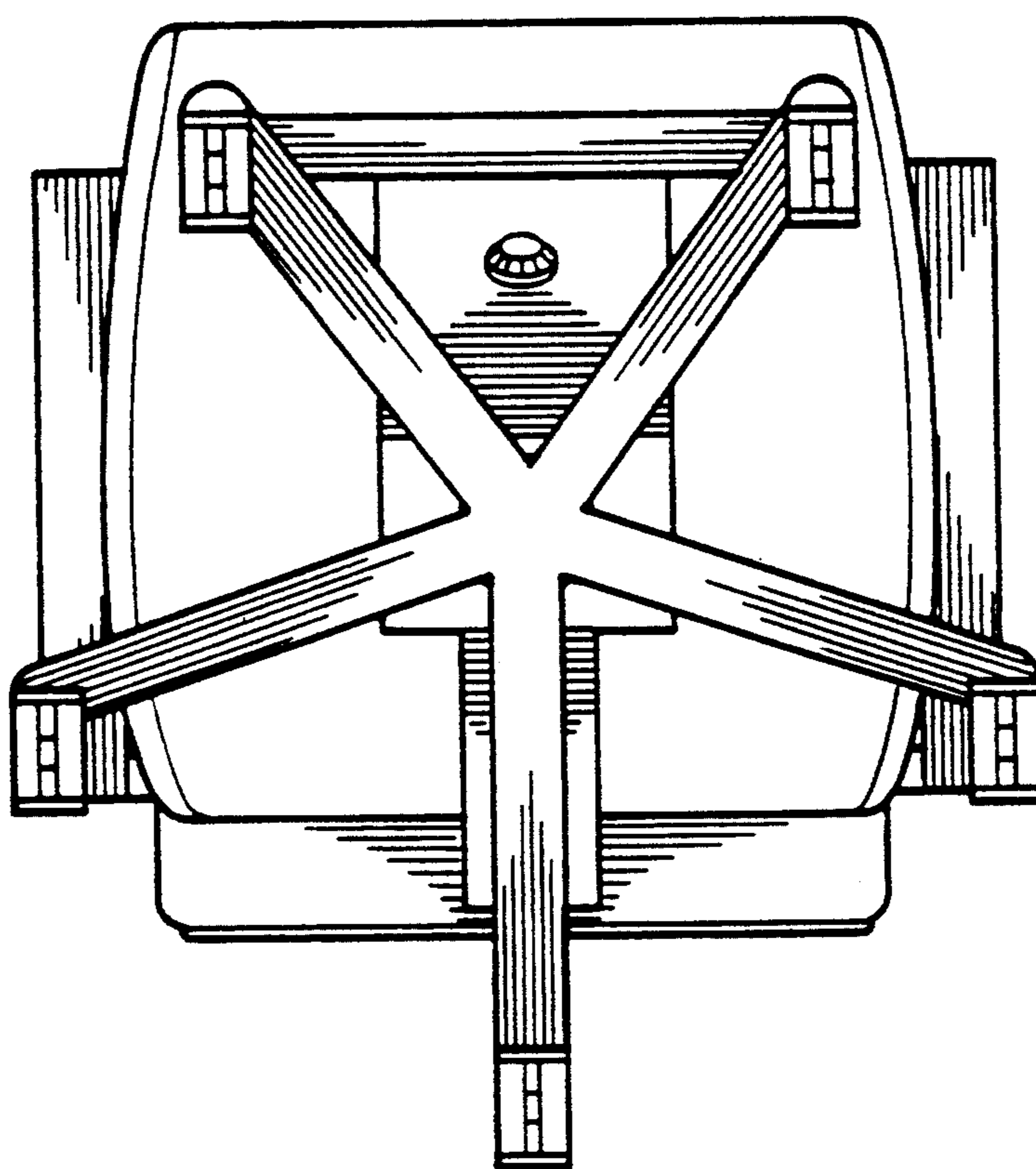


FIG. 5

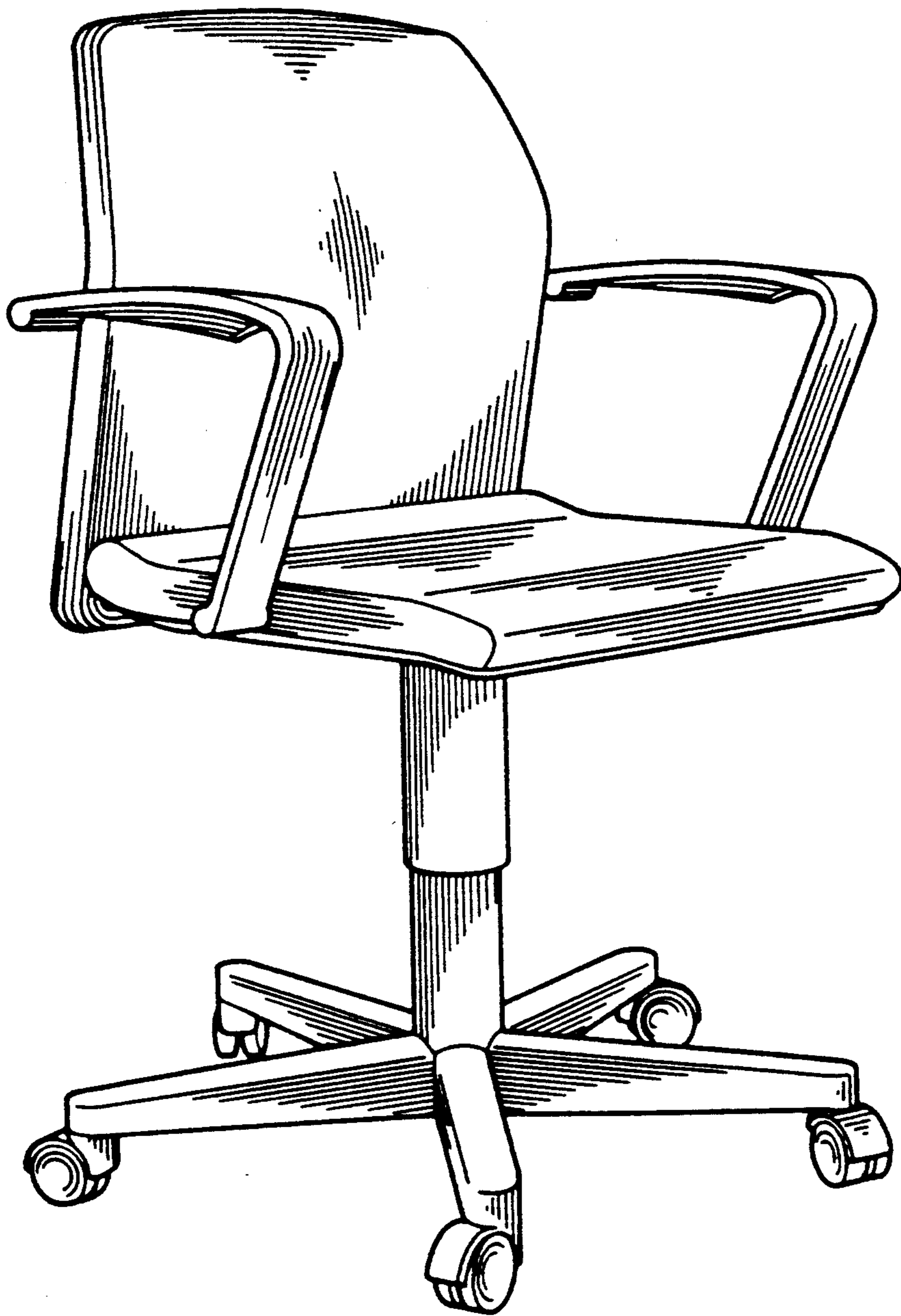


FIG. 6

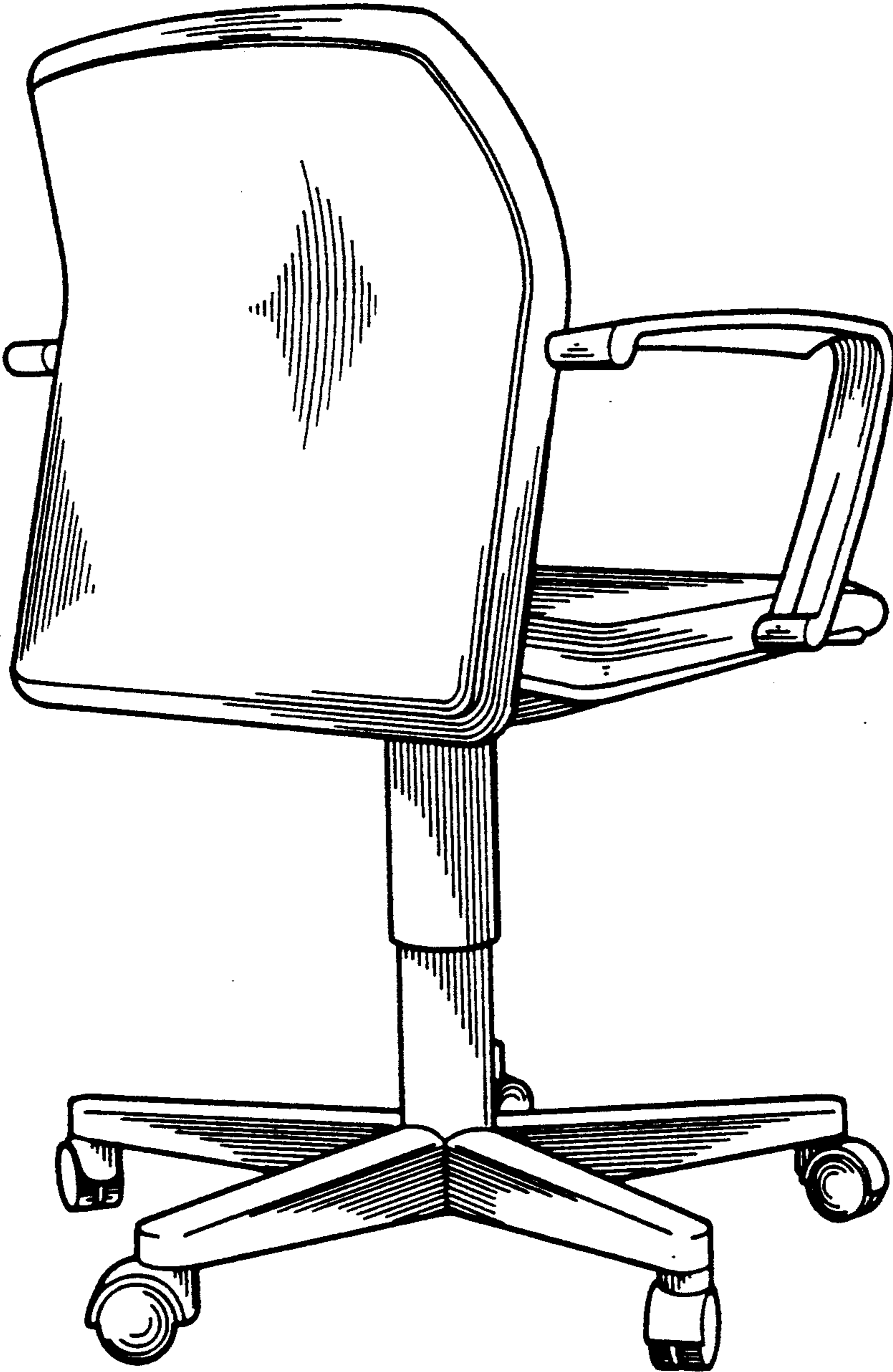


FIG. 7



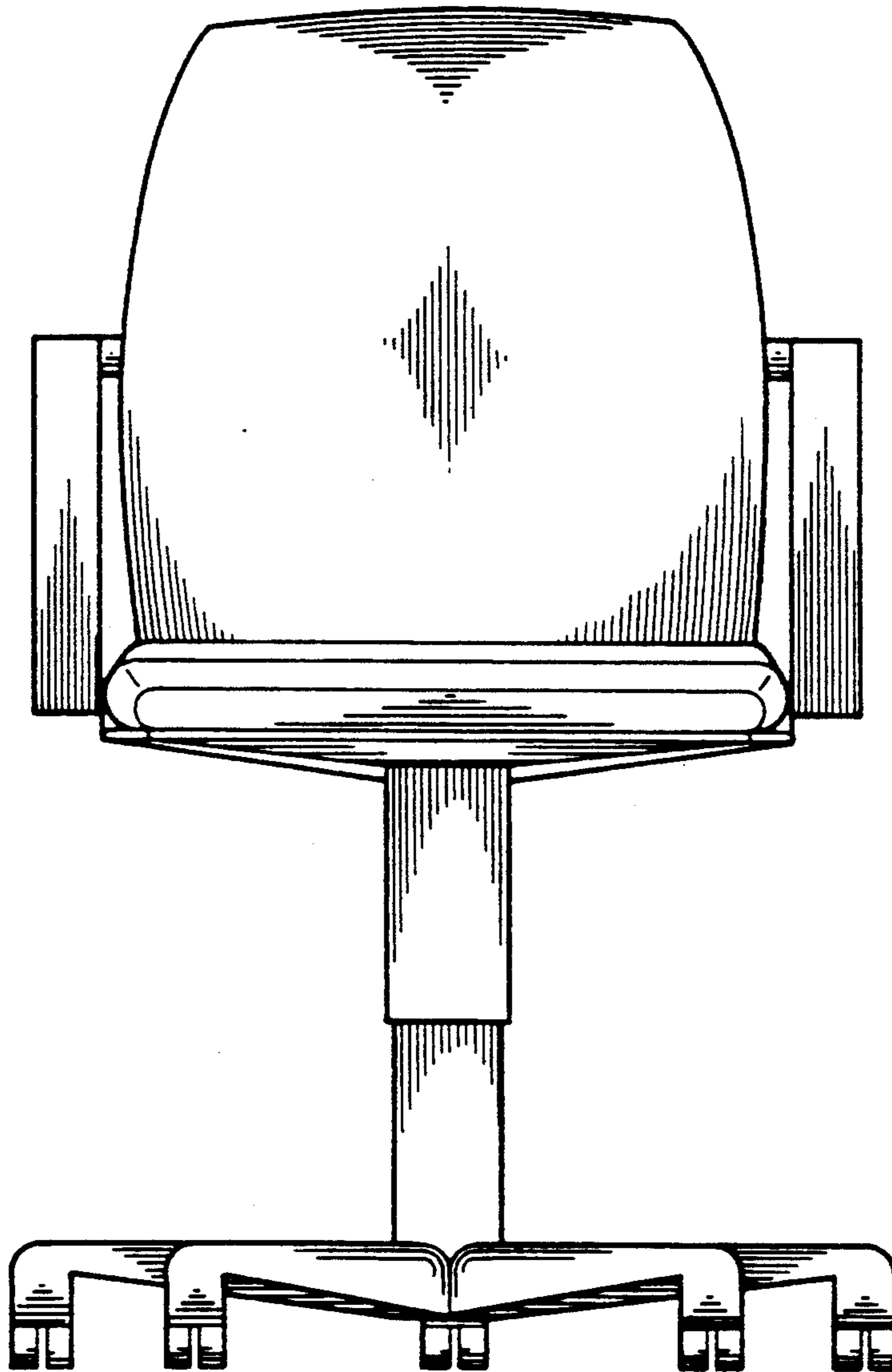


FIG. 8

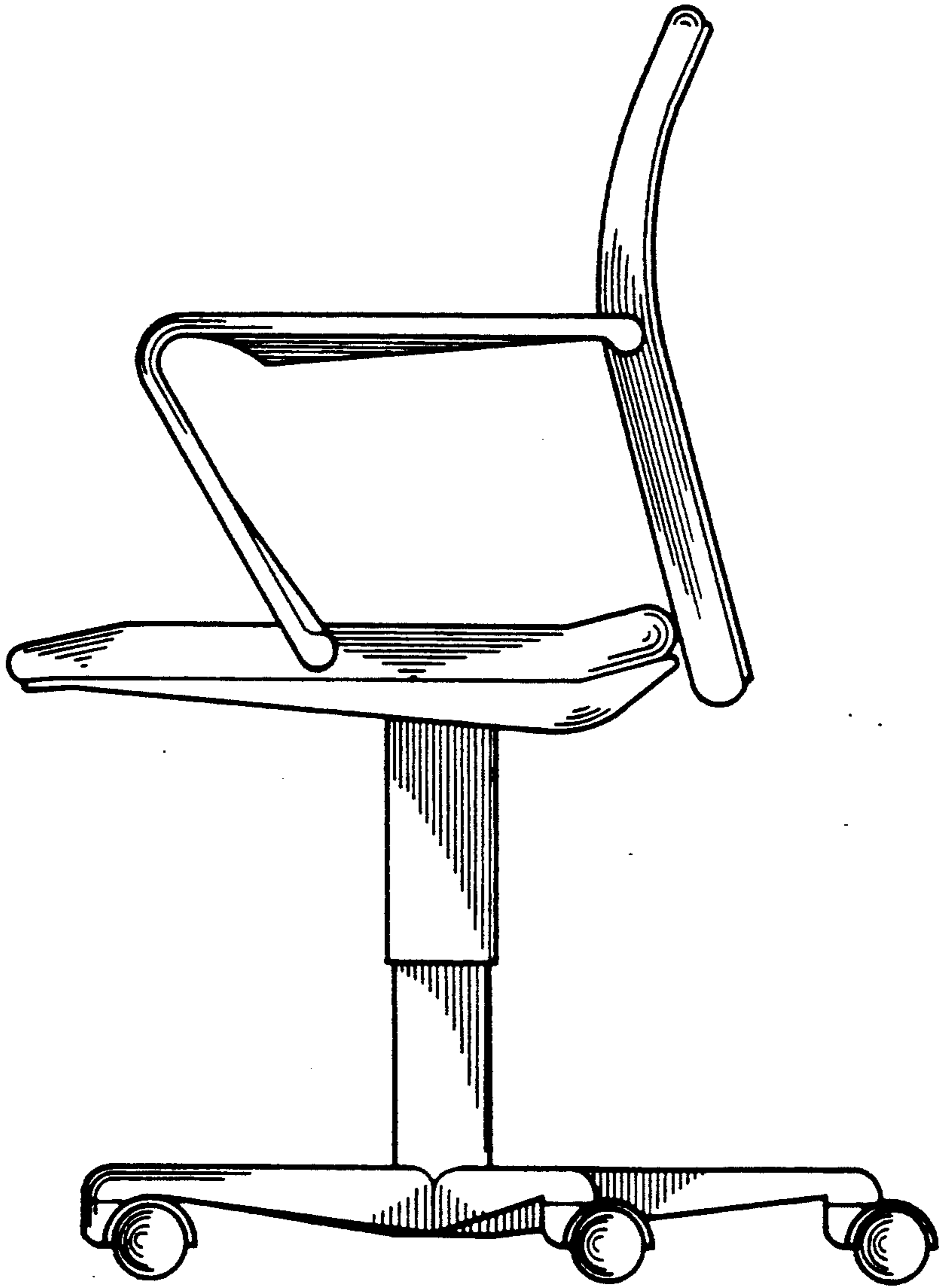


FIG. 9

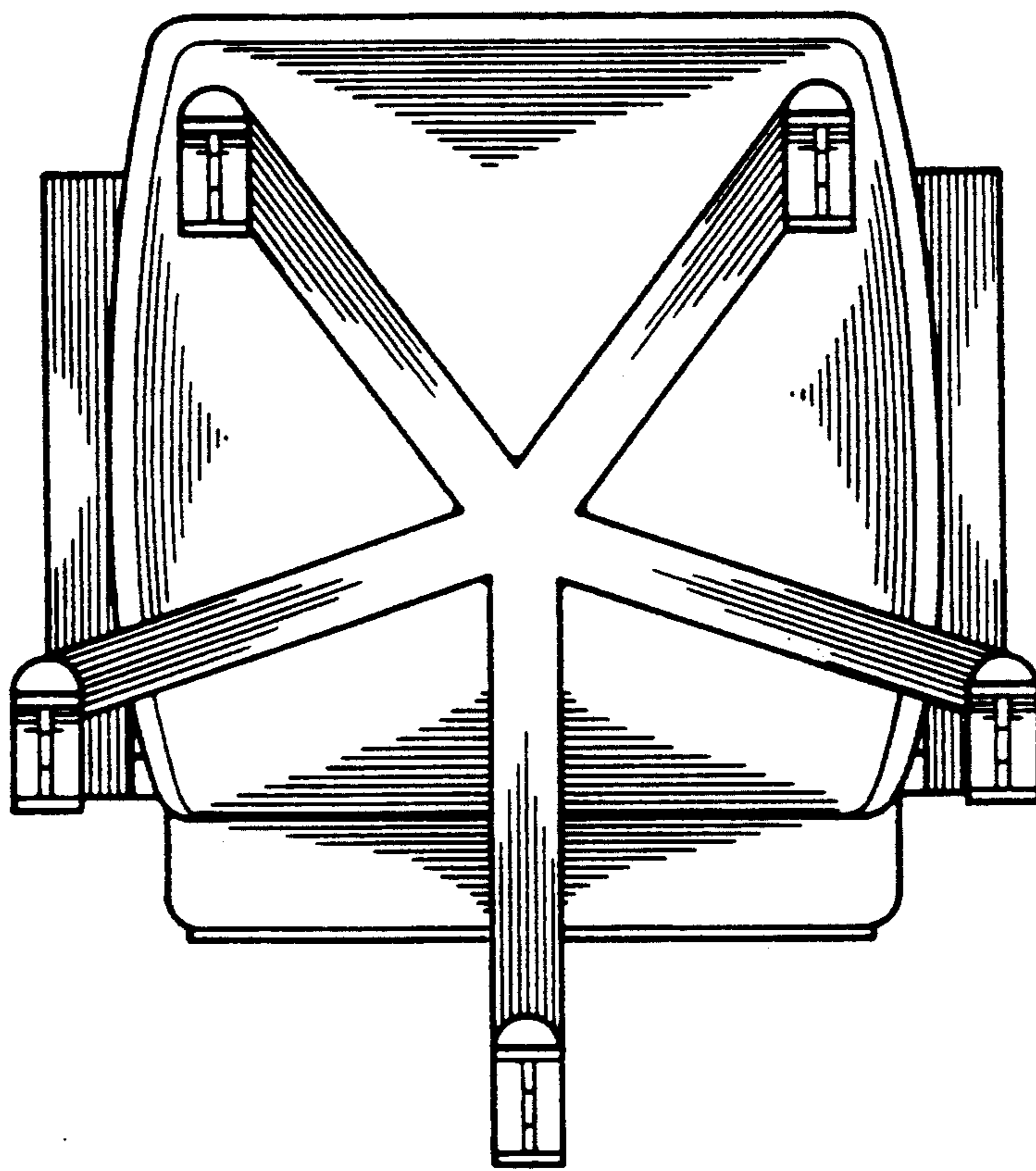


FIG. 10