



US00D347332S

United States Patent [19]
Donnelly

[11] **Patent Number: Des. 347,332**
[45] **Date of Patent: ** May 31, 1994**

[54] **PUBLIC SEATING CHAIR**

[75] **Inventor: Philip K. Donnelly, Barto, Pa.**

[73] **Assignee: J.G. Furniture Systems, Inc.,
Quakertown, Pa.**

[**] **Term: 14 Years**

[21] **Appl. No.: 882,160**

[22] **Filed: May 12, 1992**

[52] **U.S. Cl. D6/362; D6/368**

[58] **Field of Search D6/334, 335, 362, 368,
D6/375, 380, 500, 501, 502; 297/332, 335**

[56] **References Cited**

U.S. PATENT DOCUMENTS

D. 183,009	6/1958	Mackintosh	D6/375
D. 206,533	12/1966	Ducharme	D6/362
D. 226,058	1/1973	Woods	D6/368
D. 294,664	3/1988	Clark	D6/380

FOREIGN PATENT DOCUMENTS

2189682	11/1987	United Kingdom	297/335
---------	---------	----------------	-------	---------

OTHER PUBLICATIONS

Sweet's Catalog File, 1981, section 12.5 A/Am, American Seating unit at bottom.

American desk, ©1973, Auditorium/Theatre/Stadium Seating, p. 7, Model 2215-14R at bottom.

Primary Examiner—Alan P. Douglas

Assistant Examiner—Gary D. Watson

Attorney, Agent, or Firm—Nixon & Vanderhye

[57] **CLAIM**

The ornamental design for a public seating chair, as shown and described.

DESCRIPTION

FIG. 1 is a top plan view showing a main embodiment of the invention;

FIG. 2 is a bottom plan view thereof;

FIG. 3 is a front elevation view thereof;

FIG. 4 is a rear elevation view thereof;

FIG. 5 is a left side elevation thereof, the right side elevation being a mirror image thereof;

FIG. 6 is a left front perspective thereof;

FIG. 7 is a left front perspective thereof, with the seat component rotated to the non-use position;

FIG. 8 is a rear elevation of a second embodiment of the invention; and,

FIG. 9 is a front elevation of the second embodiment, with the seat component raised to a non-use position.

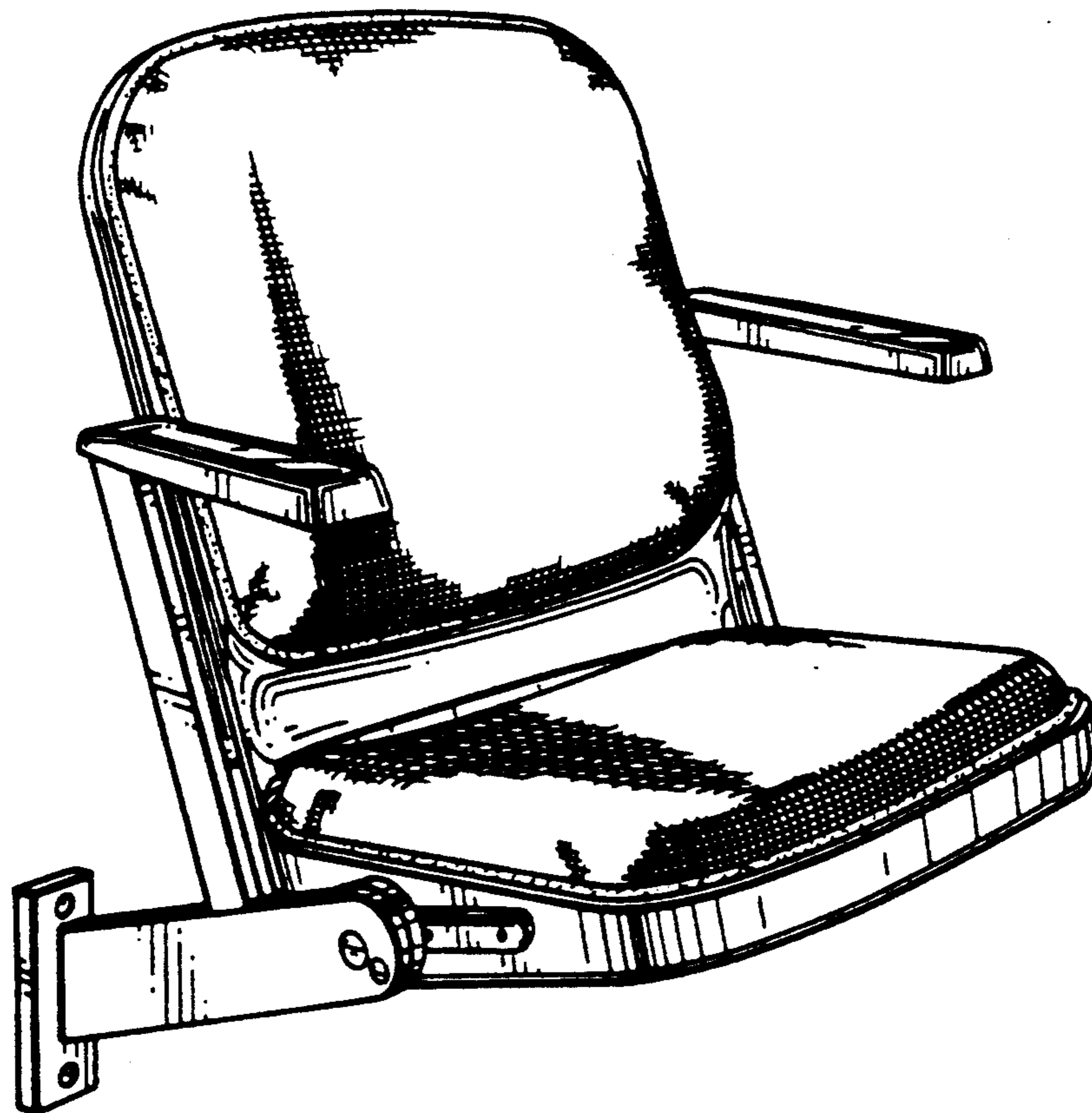


FIG. 2

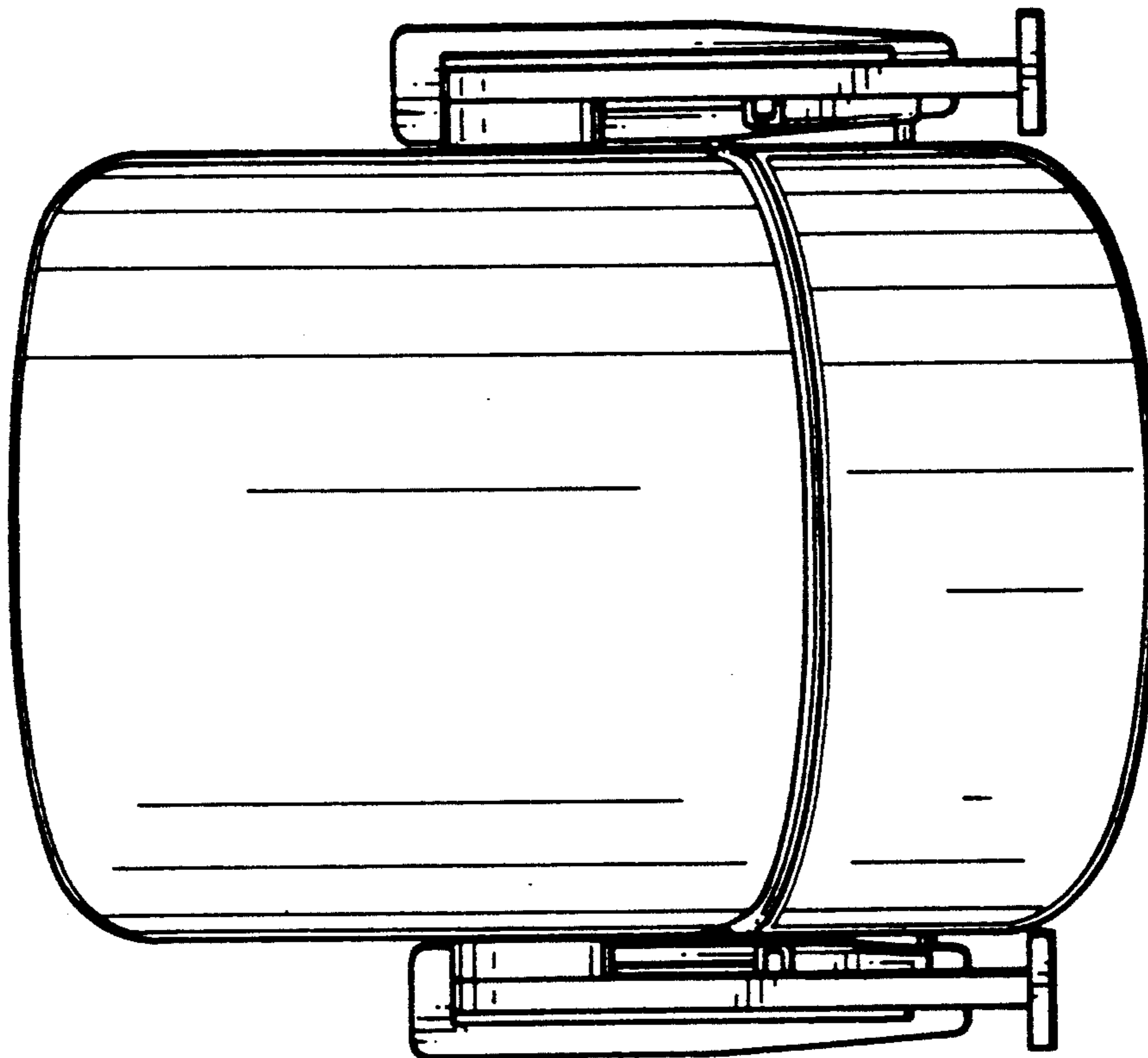


FIG. 1

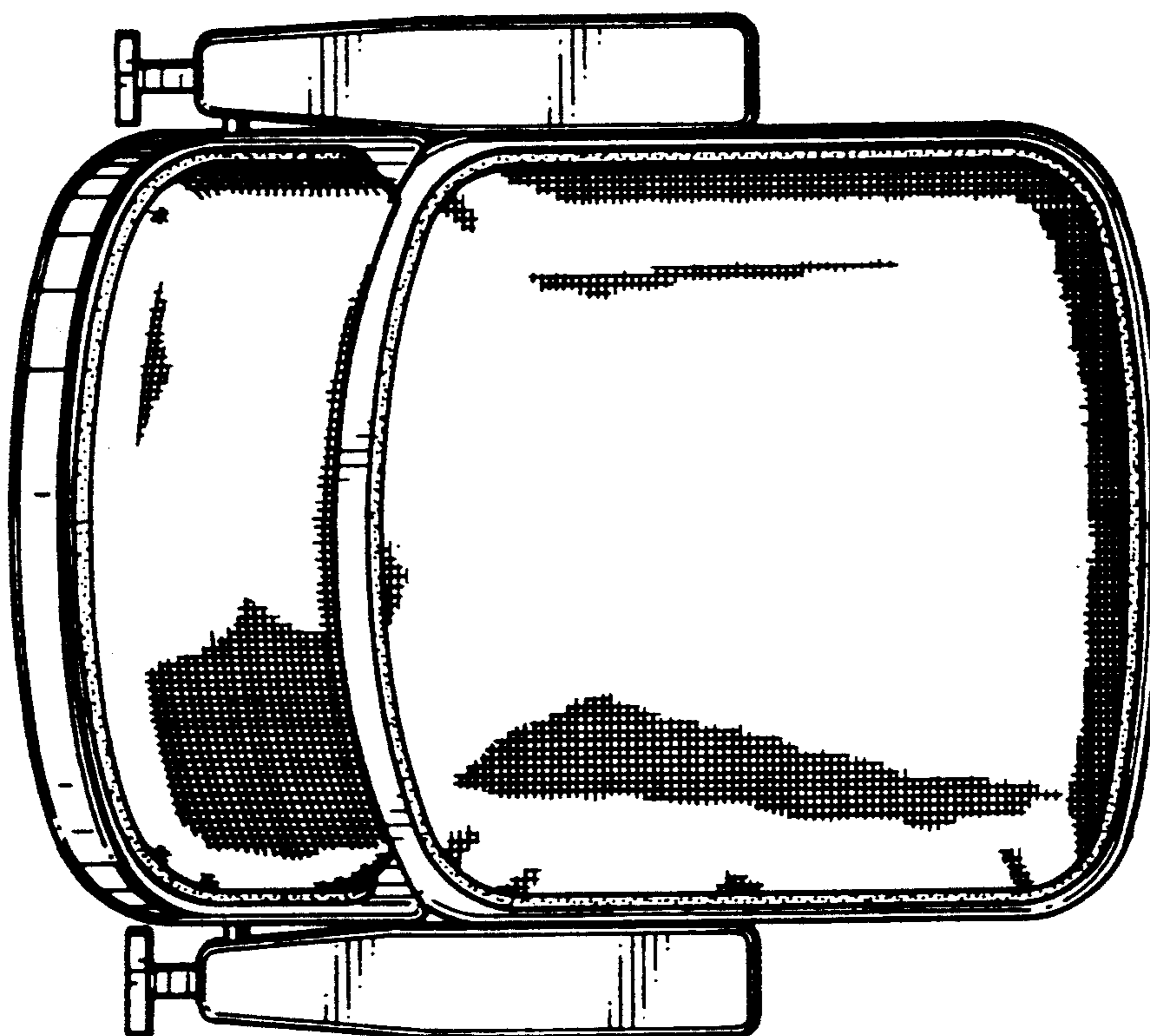


FIG. 4

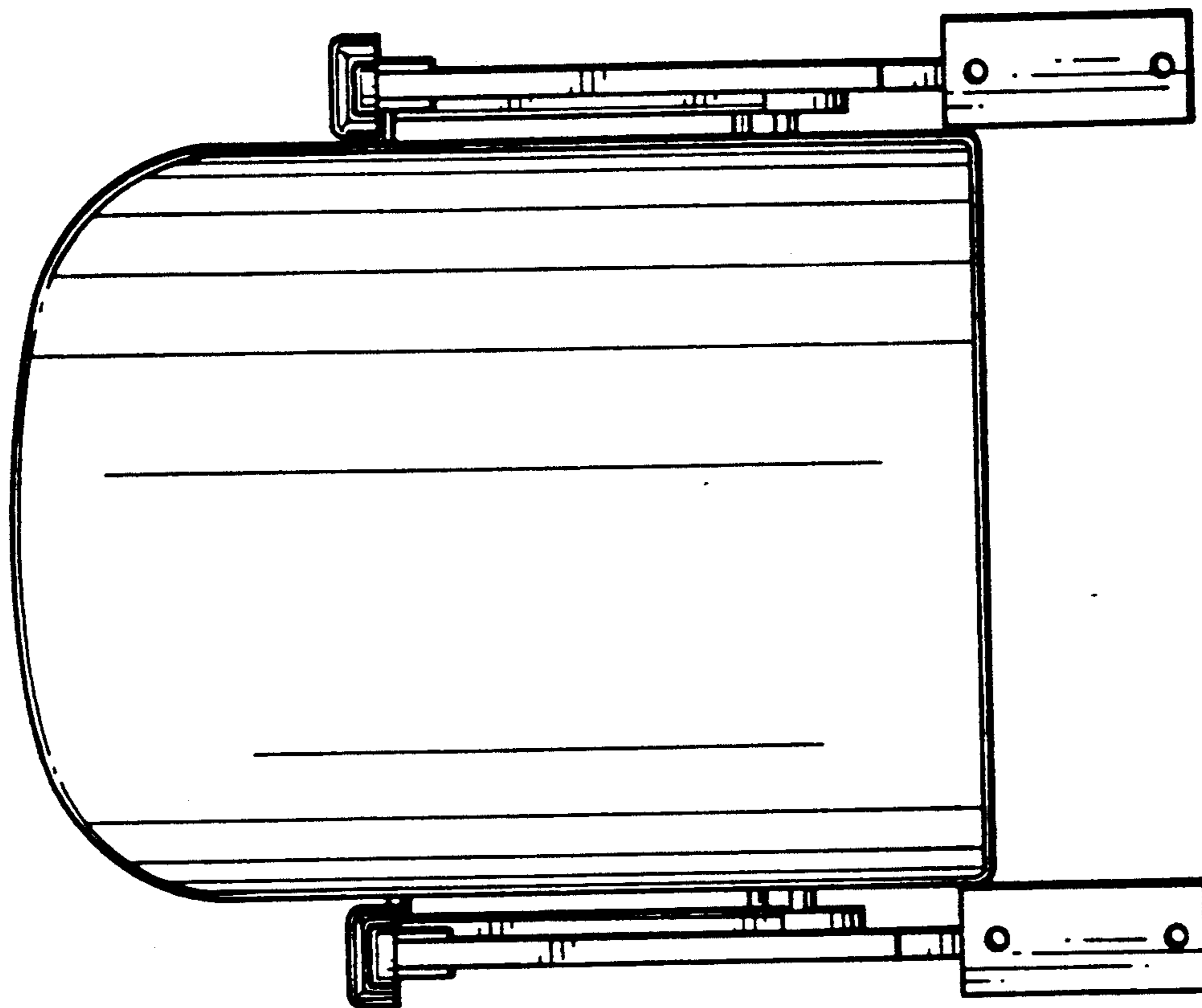


FIG. 3

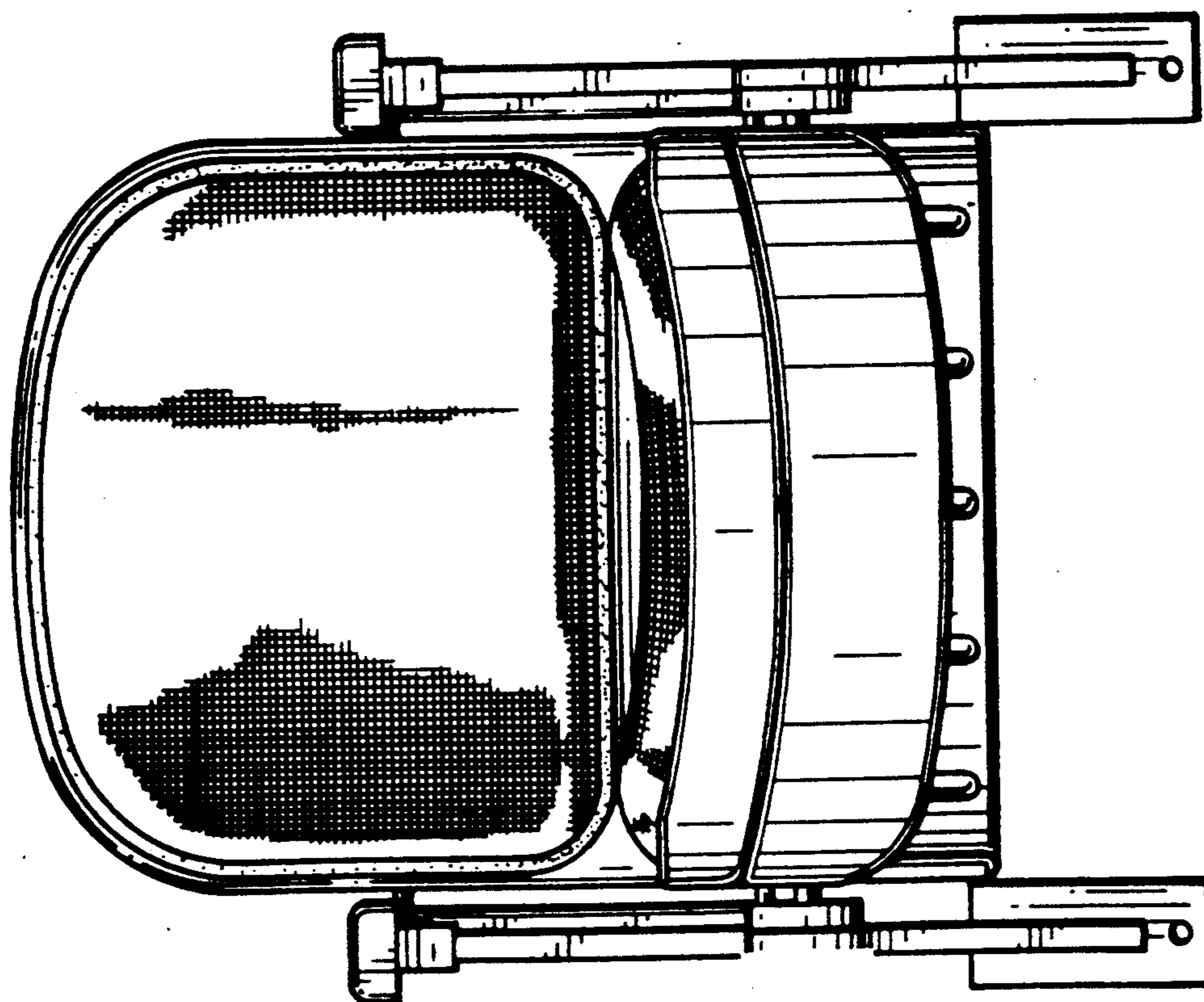


FIG. 8

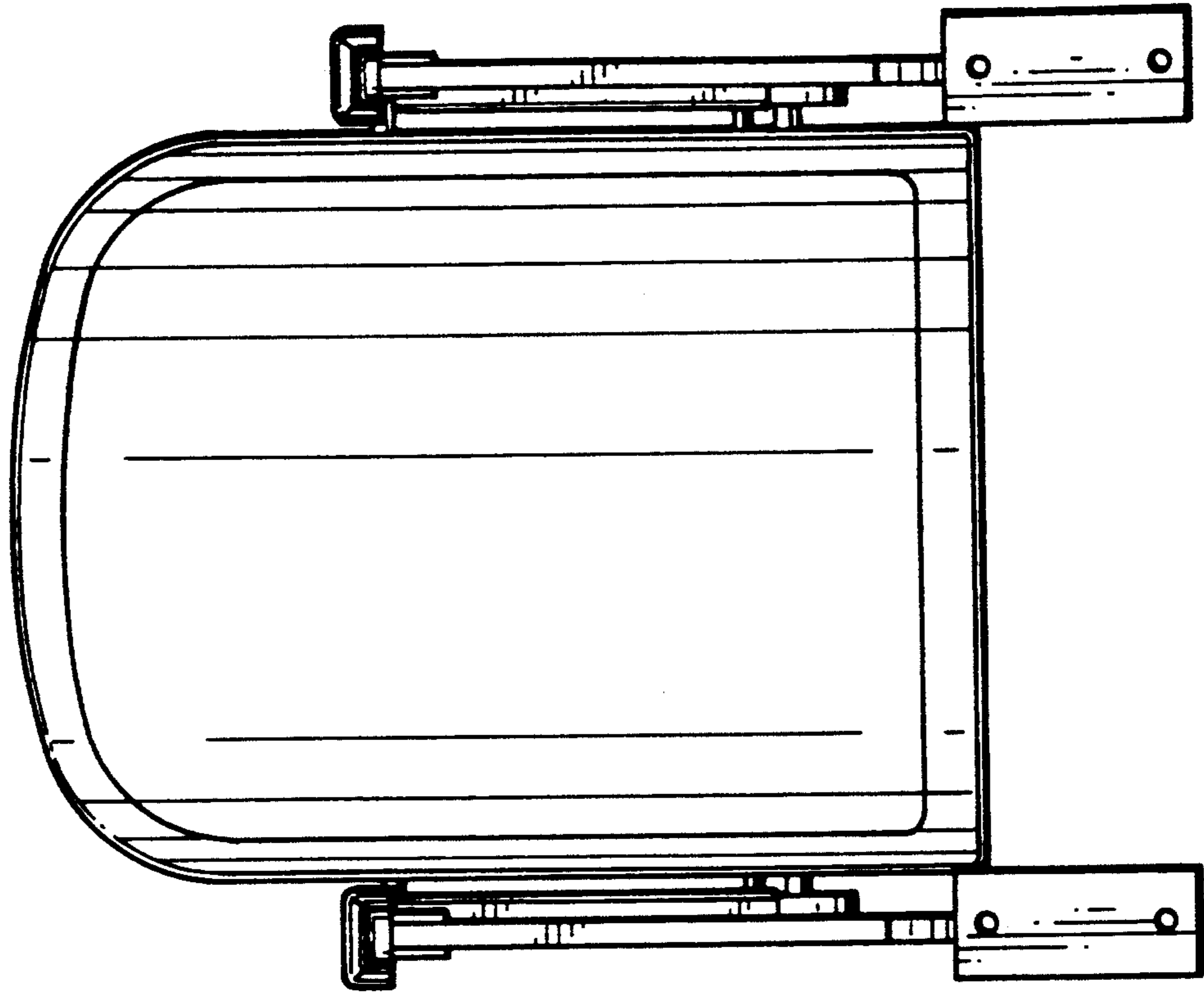


FIG. 5

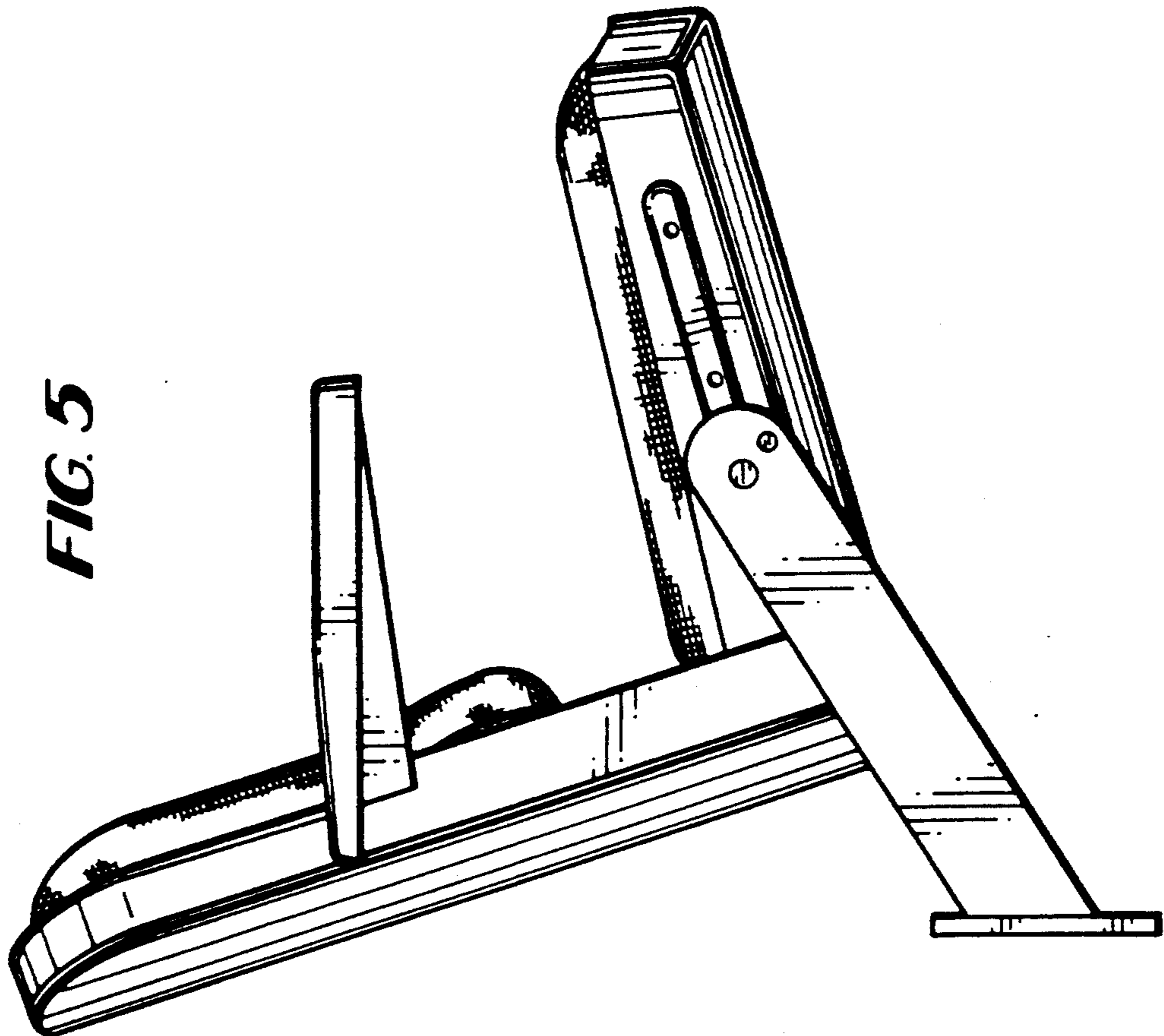


FIG. 7

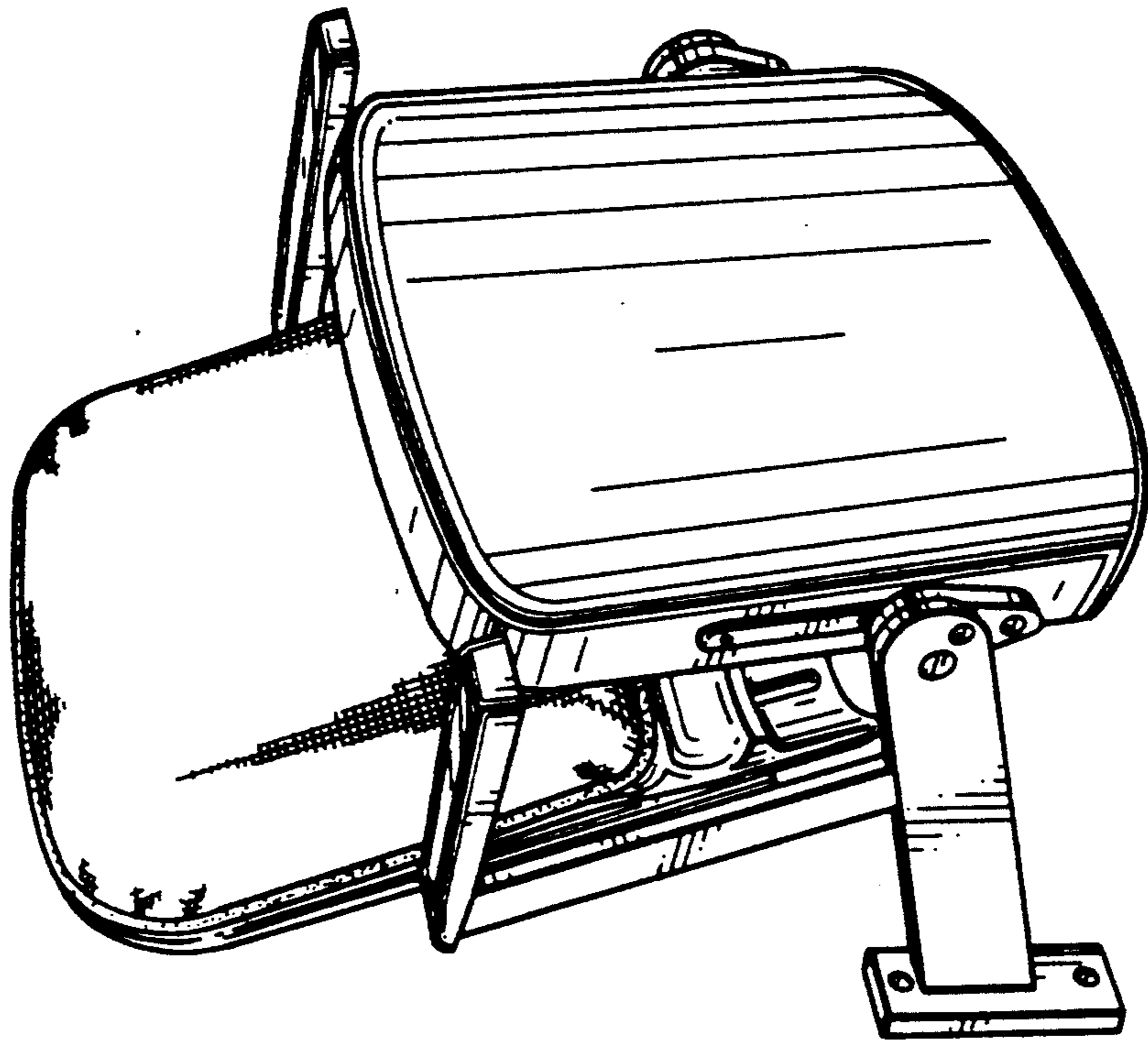


FIG. 6

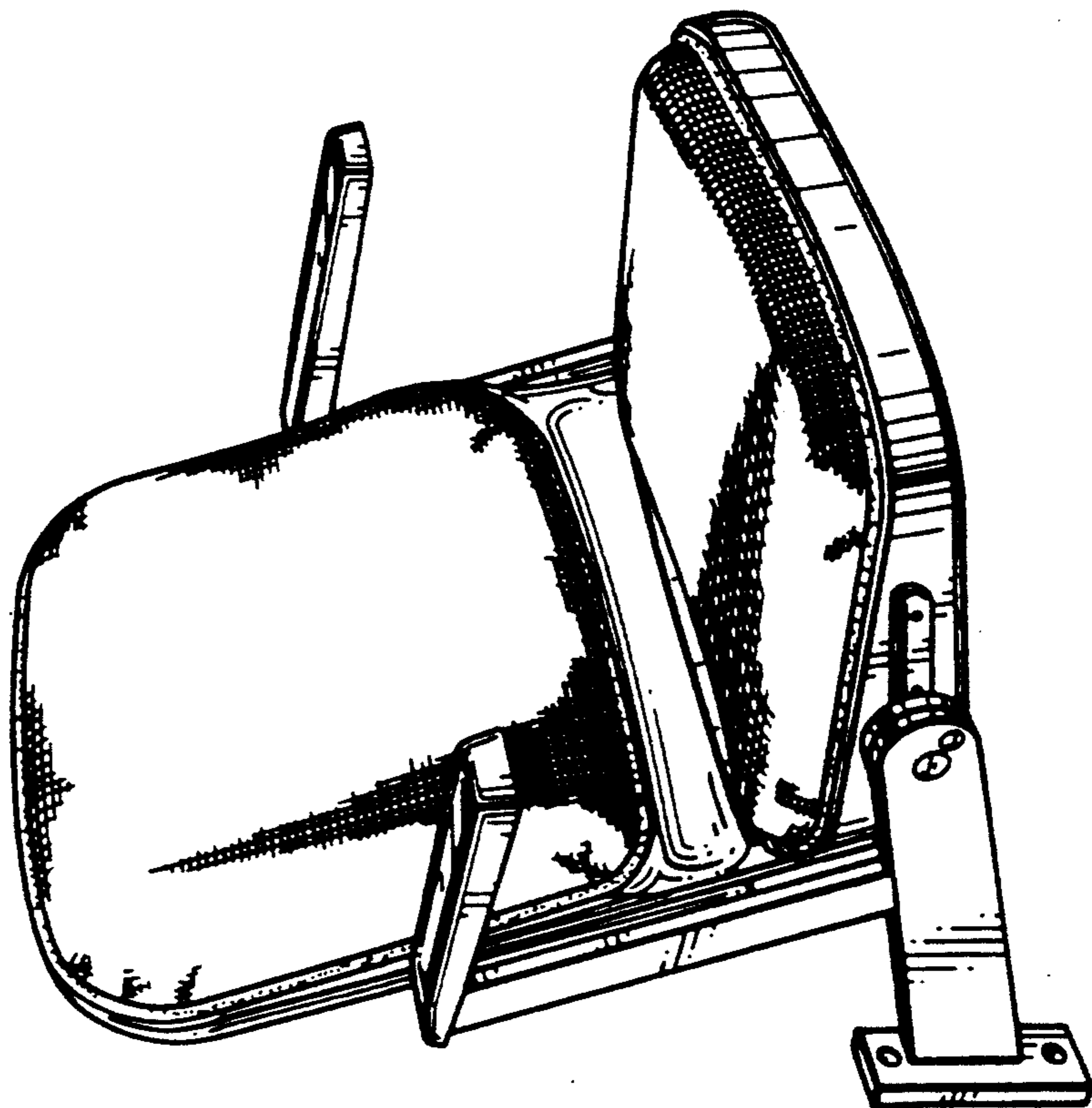


FIG. 9

