



US00D347330S

United States Patent [19]
Kinsman

[11] **Patent Number: Des. 347,330**
[45] **Date of Patent: ** May 31, 1994**

- [54] **SEAT**
- [75] **Inventor: Rodney W. Kinsman, London, United Kingdom**
- [73] **Assignee: Kinsman Associates Limited, London, United Kingdom**
- [**] **Term: 14 Years**
- [21] **Appl. No.: 468,830**
- [22] **Filed: Jan. 23, 1990**
- [52] **U.S. Cl. D6/334; D6/374**
- [58] **Field of Search D6/334, 335, 364, 368, D6/374, 375, 381, 492, 500, 501, 502; 297/250, 252**

[56] **References Cited**

U.S. PATENT DOCUMENTS

- D. 216,509 1/1970 Cary D6/368
- D. 225,494 12/1972 Ahrens D6/368 X
- D. 235,298 6/1975 Schuyler D6/492

OTHER PUBLICATIONS

Sweets Catalog, 1981, Section 11.17 p. 4, stadium seat shown top center.
 Interiors, Nov. 1987, p. 93, stadium seat shown bottom center.

Primary Examiner—Alan P. Douglas

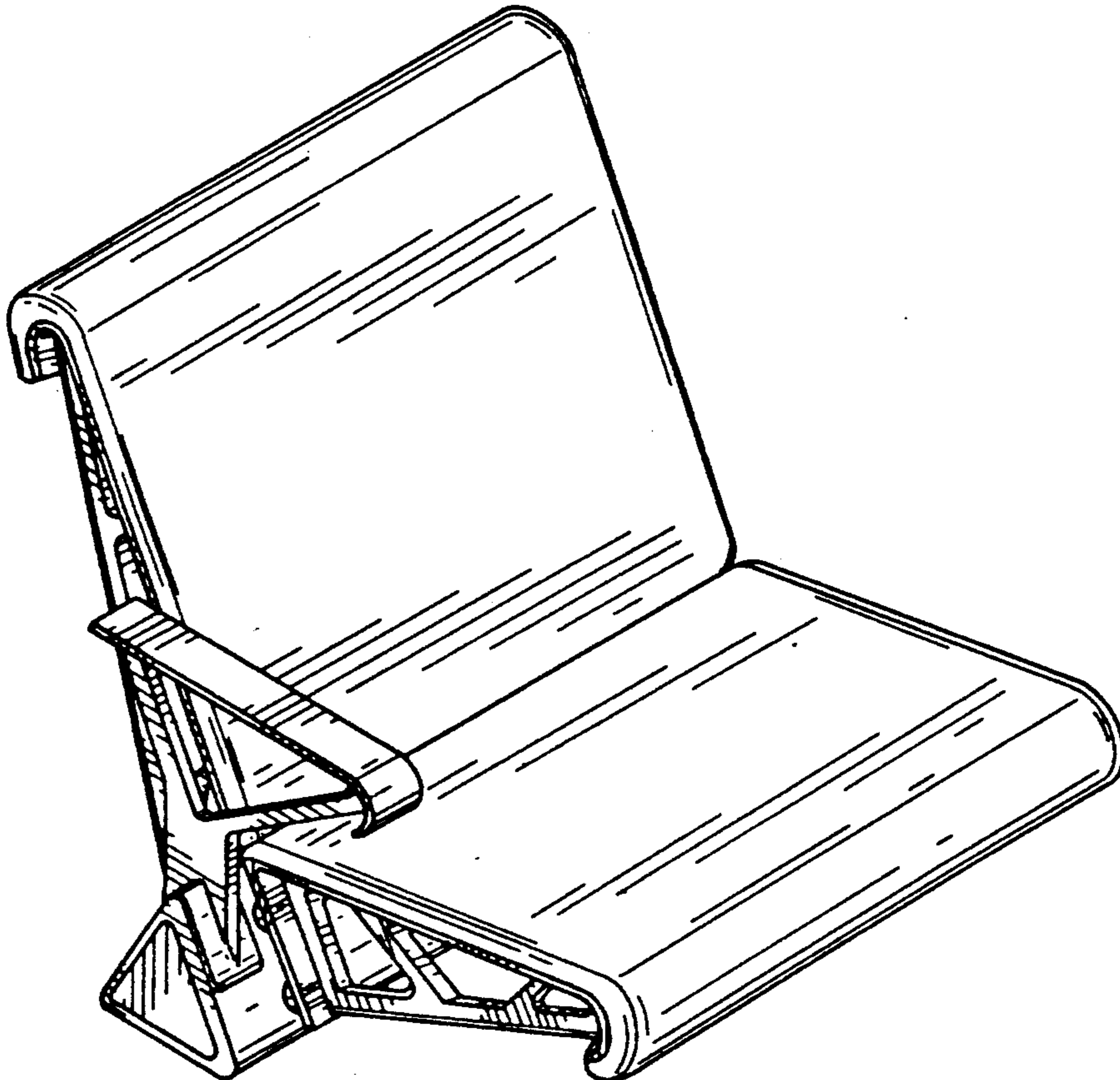
Assistant Examiner—Gary D. Watson
Attorney, Agent, or Firm—Blakely, Sokoloff, Taylor & Zafman

[57] **CLAIM**

The ornamental design for a seat, as shown and described.

DESCRIPTION

FIG. 1 is a left-front perspective view of a seat showing my new design;
 FIG. 2 is a left side elevational view;
 FIG. 3 is a front elevational view;
 FIG. 4 is a top plan view;
 FIG. 5 is a right side elevational view;
 FIG. 6 is a rear elevational view;
 FIG. 7 is a bottom plan view;
 FIG. 8 is a left-front perspective view showing a second embodiment of my new design;
 FIG. 9 is a left side elevational view of the other side of the FIG. 8 embodiment, the other side being a mirror image thereof;
 FIG. 10 is a front elevational view of the FIG. 8 embodiment;
 FIG. 11 is a top plan view of the FIG. 8 embodiment;
 FIG. 12 is a bottom plan view of the FIG. 8 embodiment; and,
 FIG. 13 is a rear elevational view of the FIG. 8 embodiment.



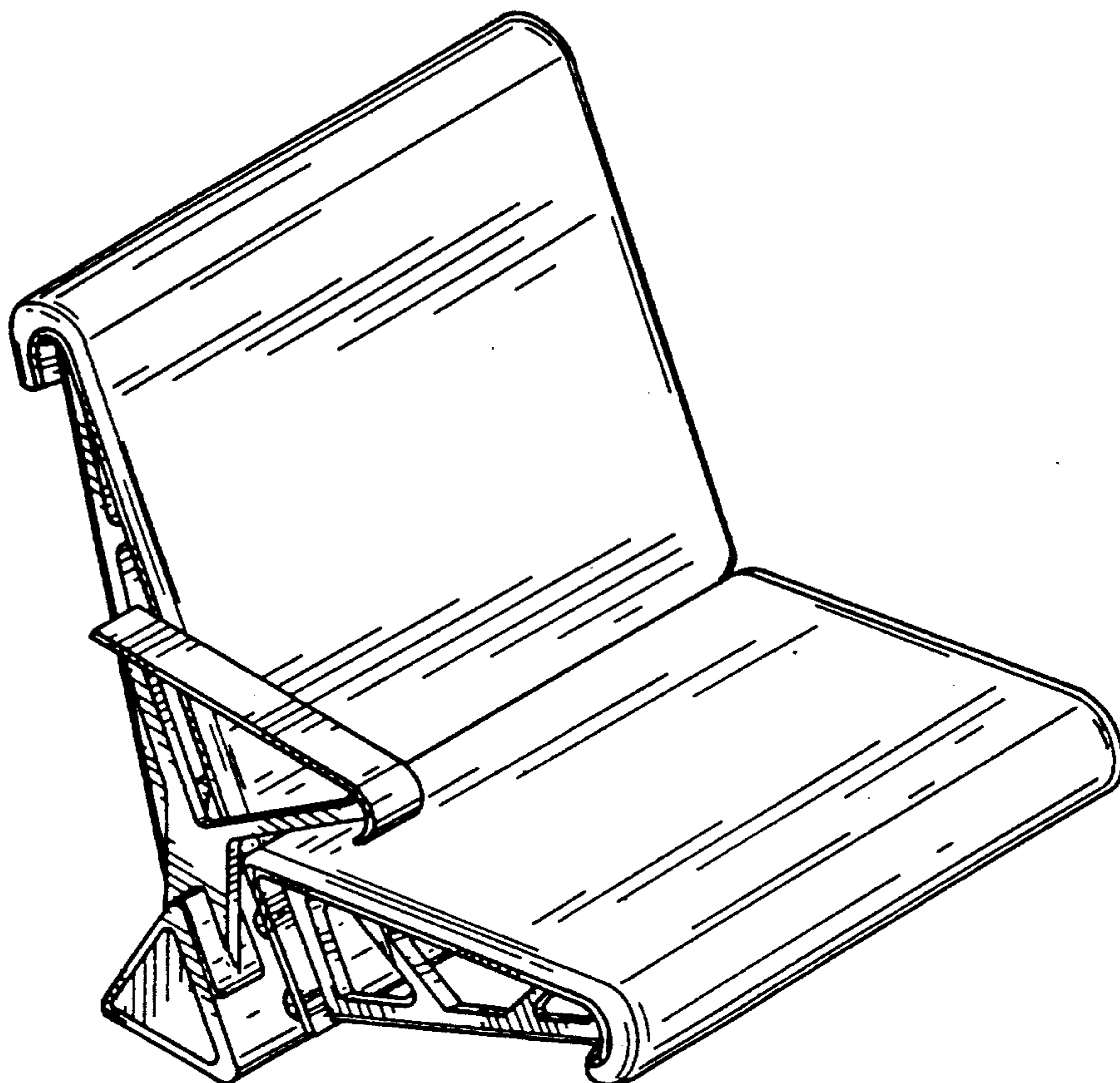


FIG. 1

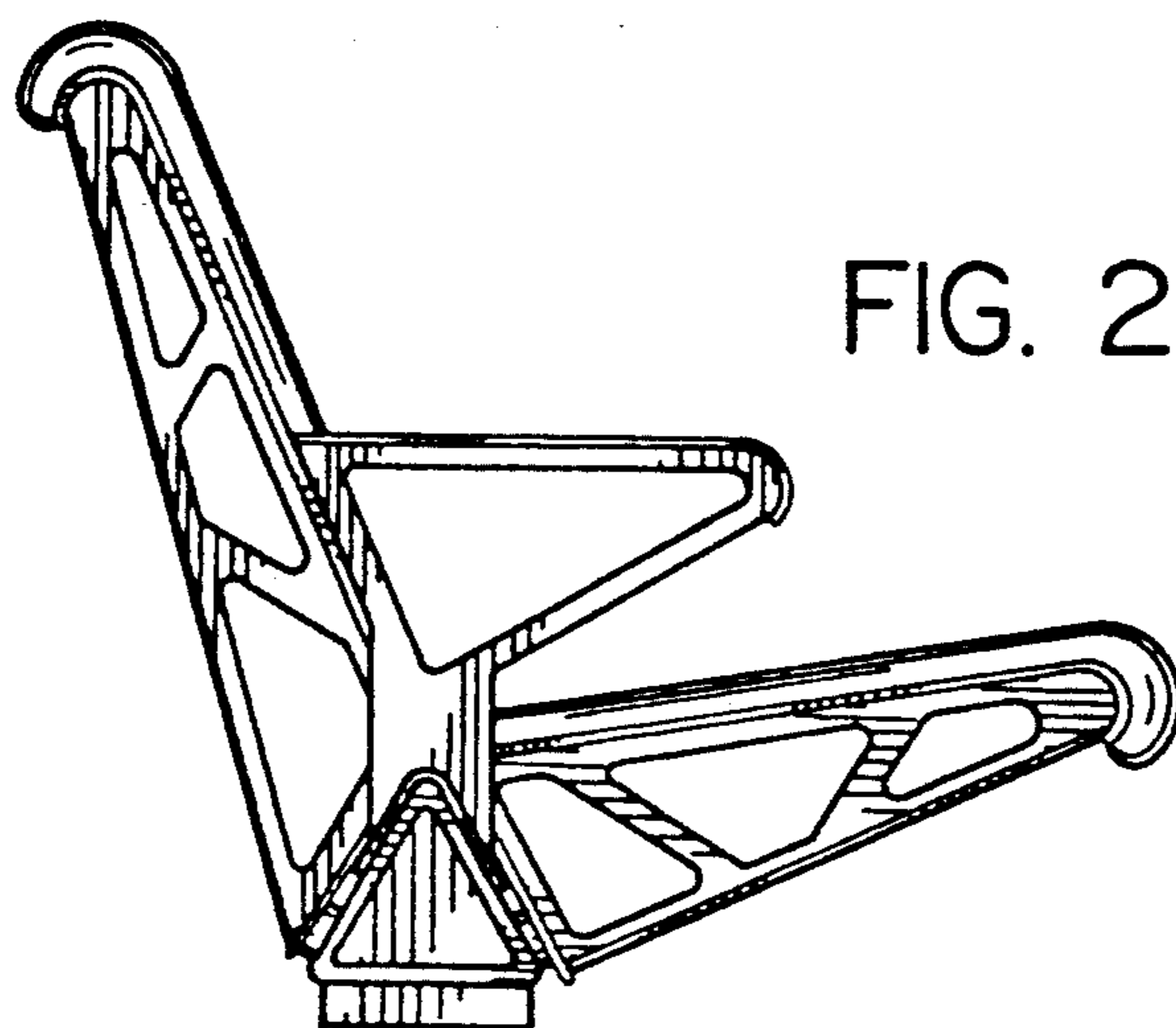


FIG. 2

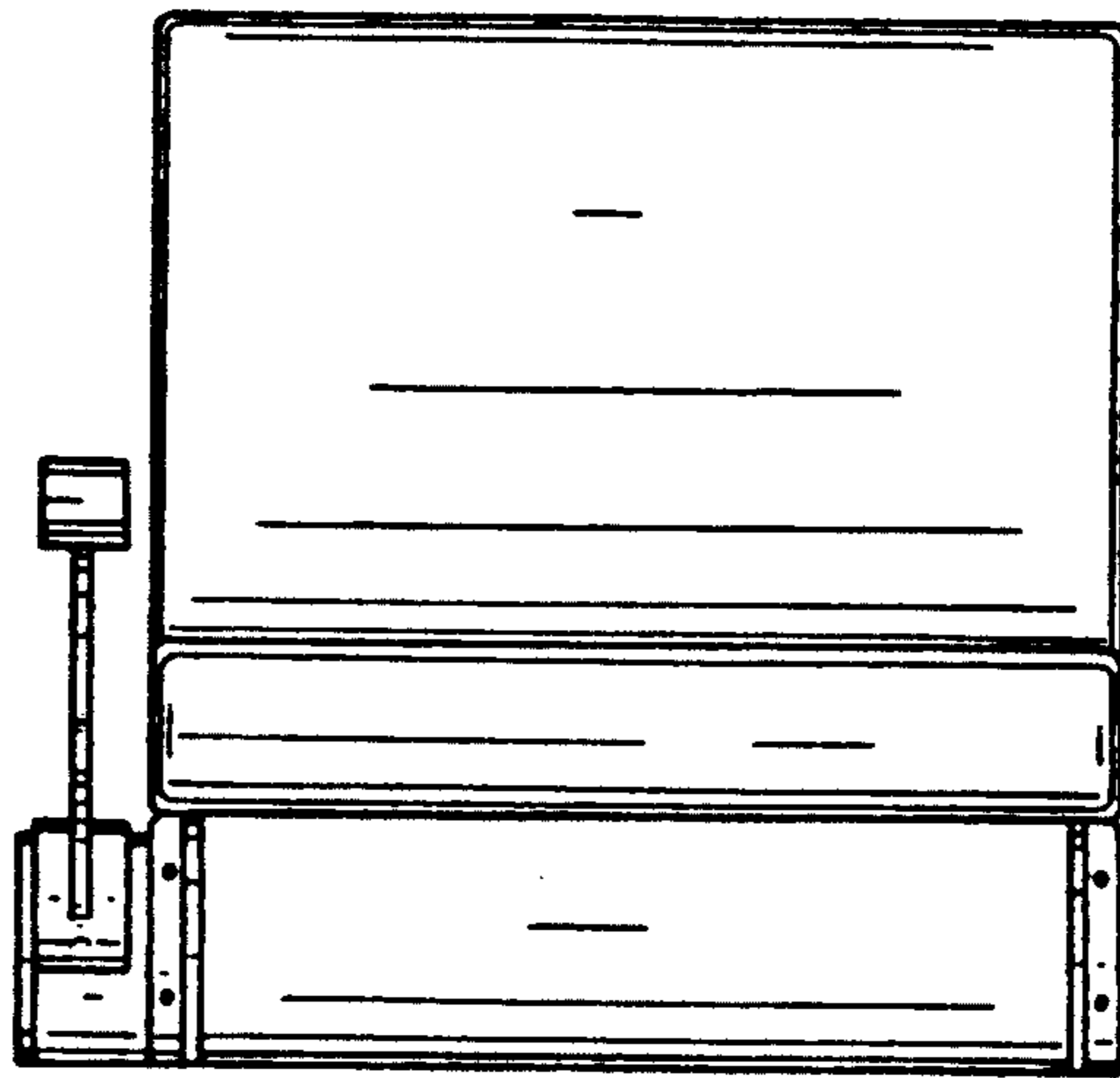


FIG. 3

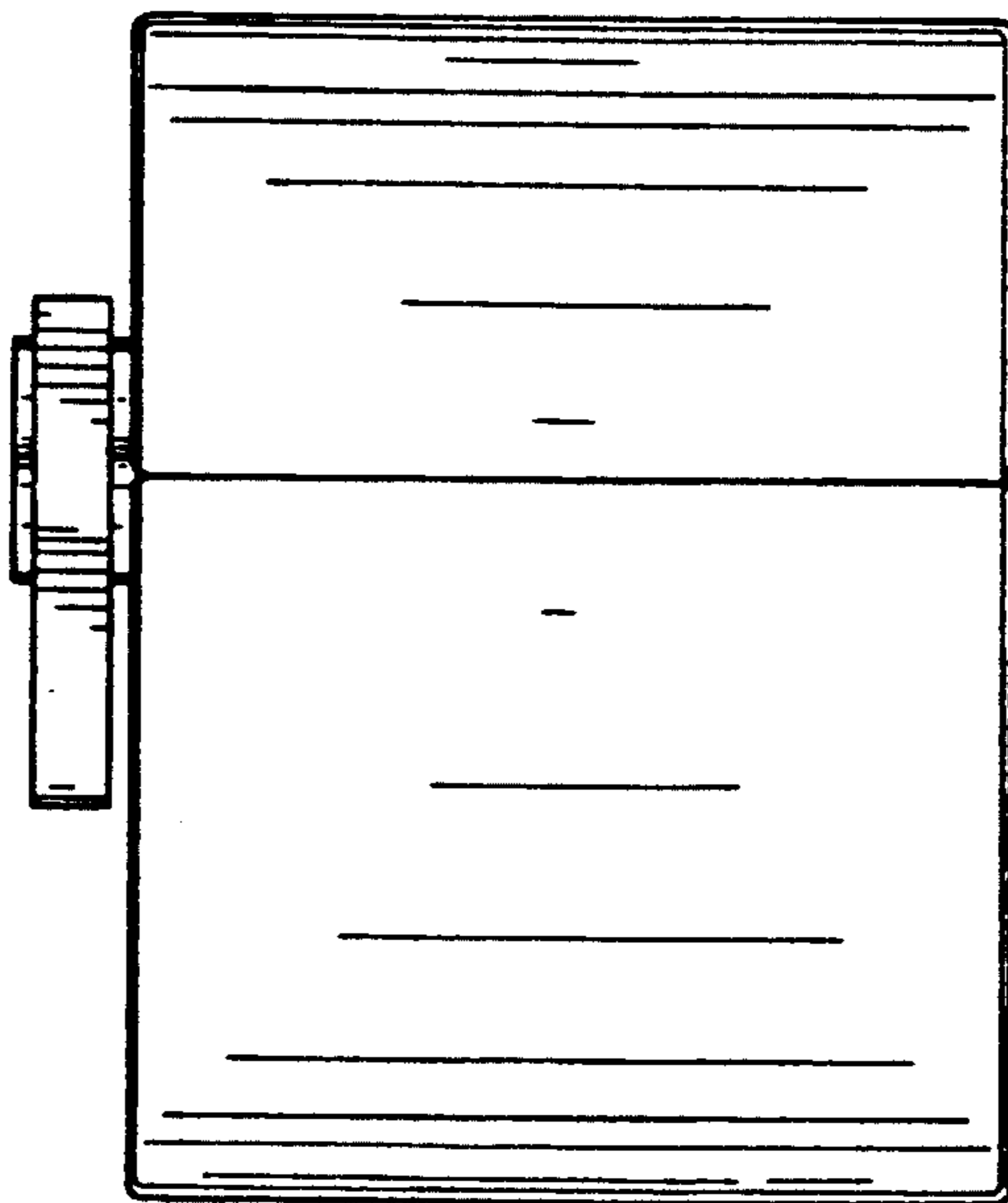


FIG. 4

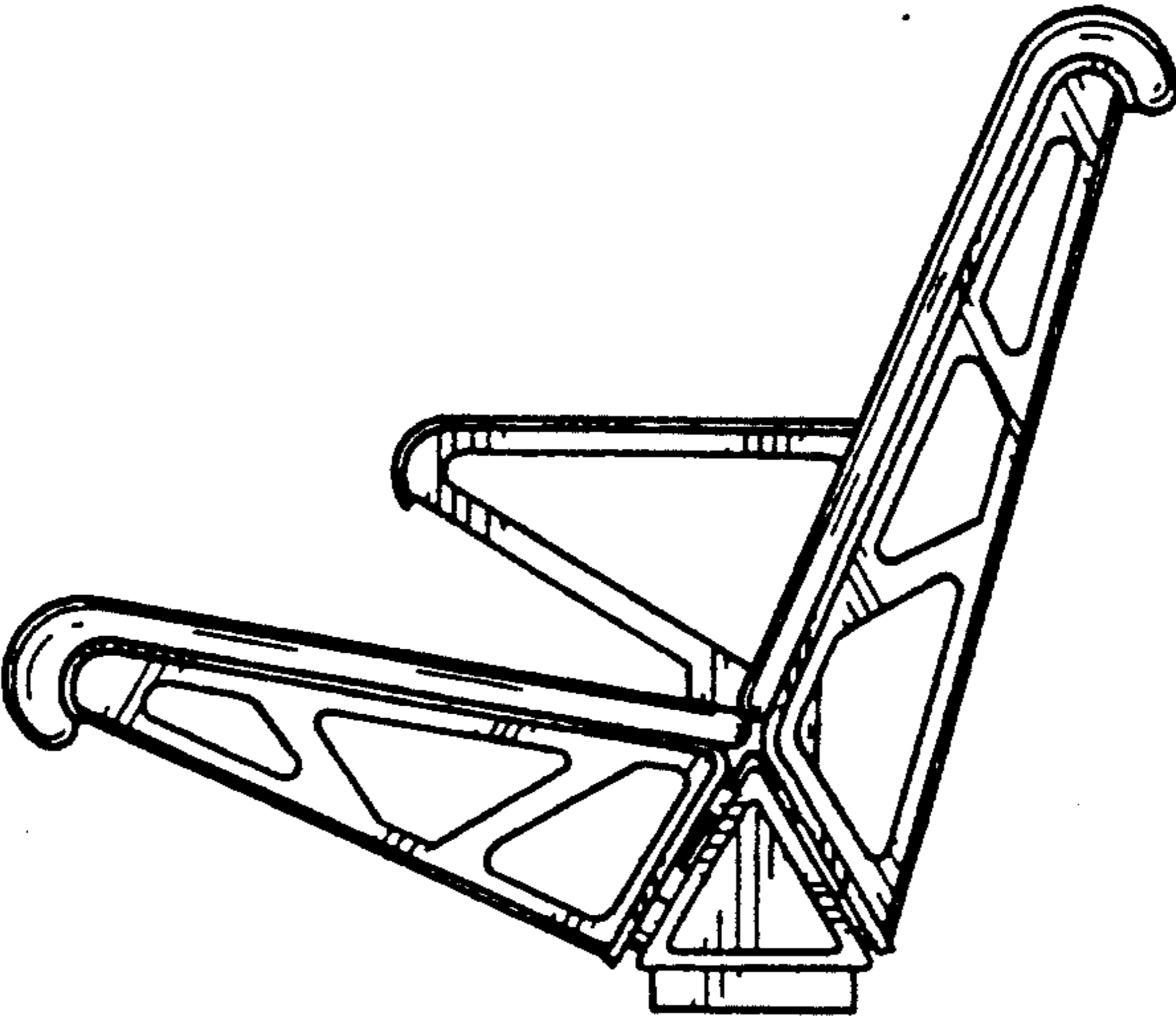


FIG. 5

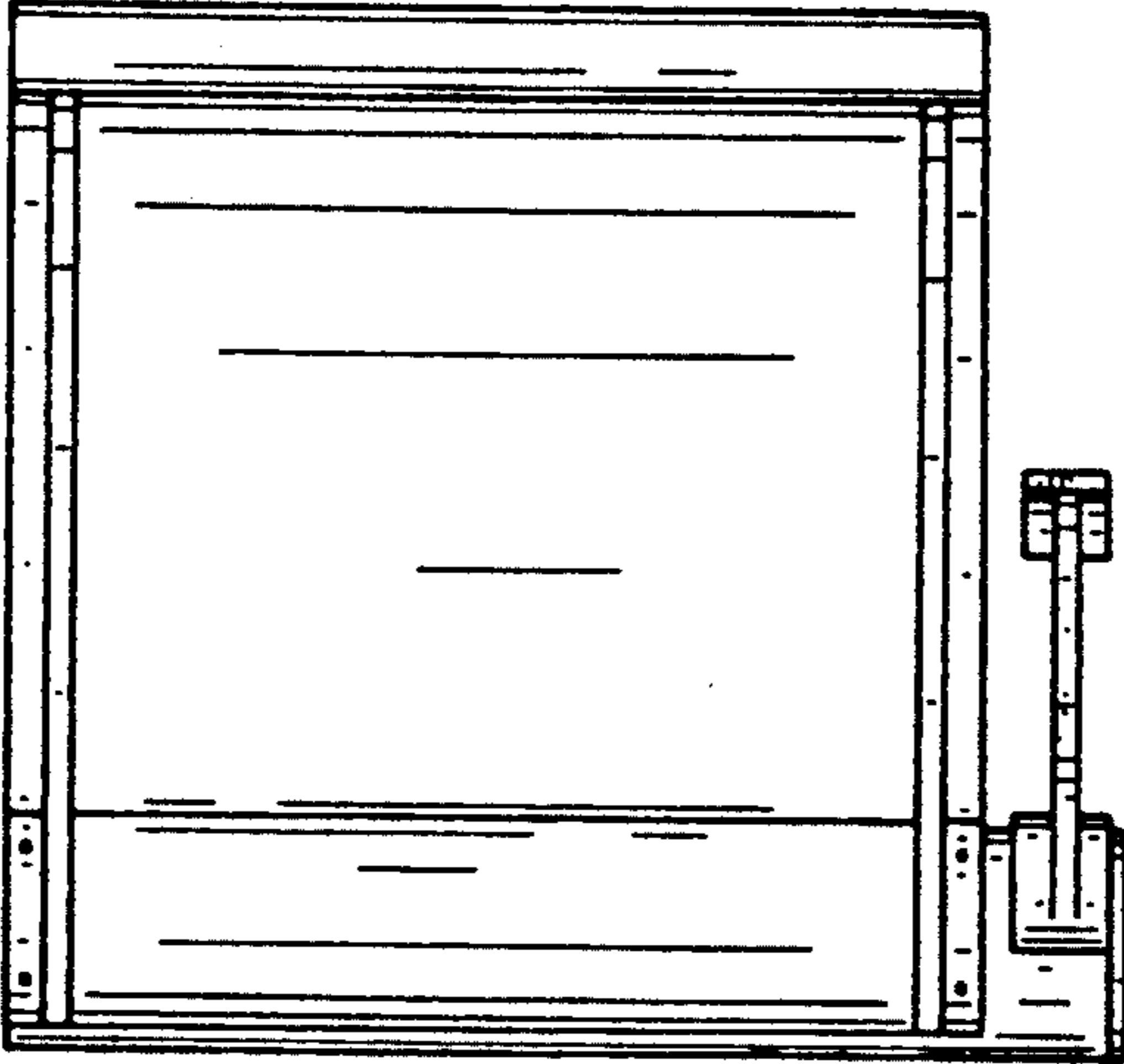


FIG. 6

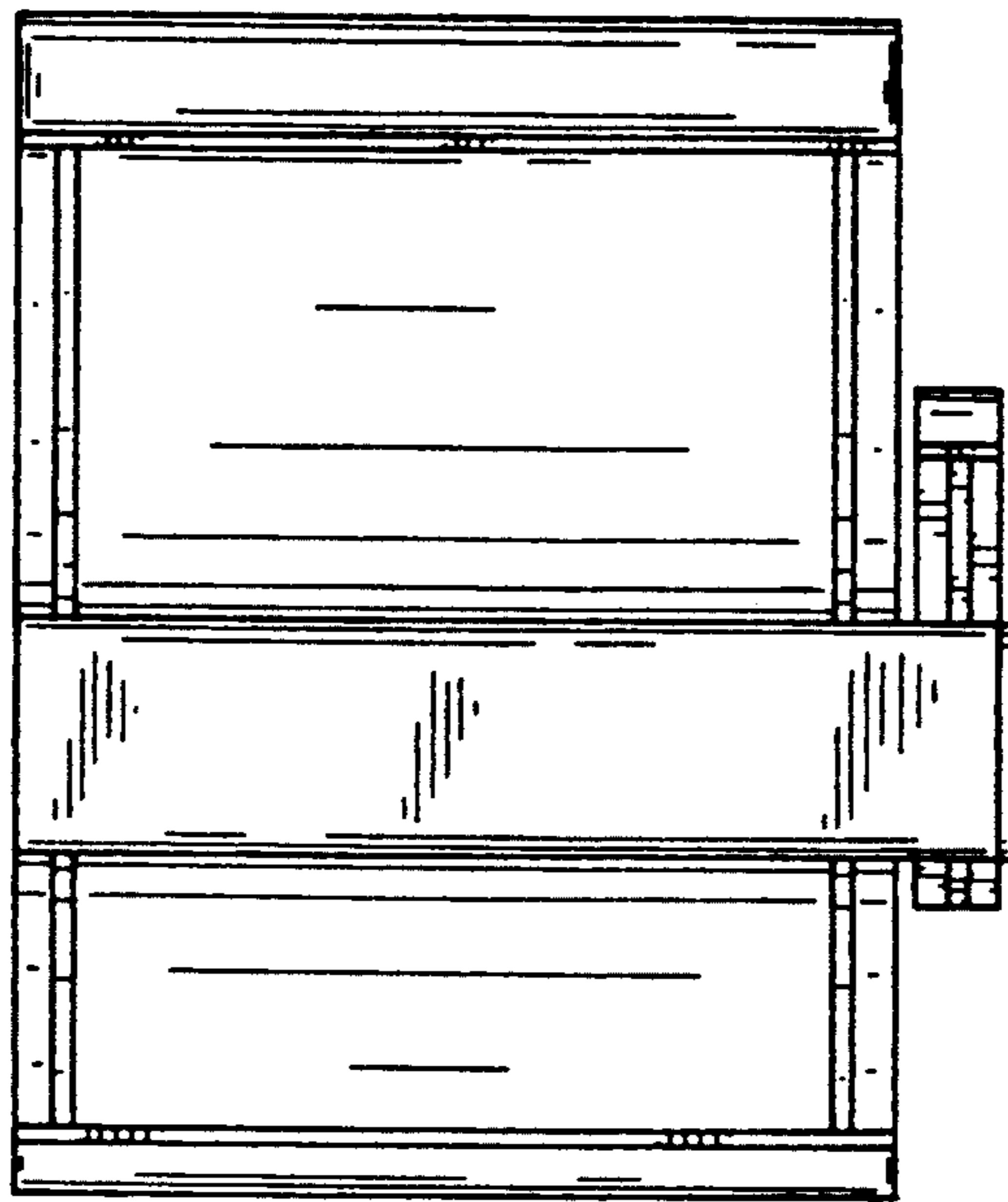


FIG. 7

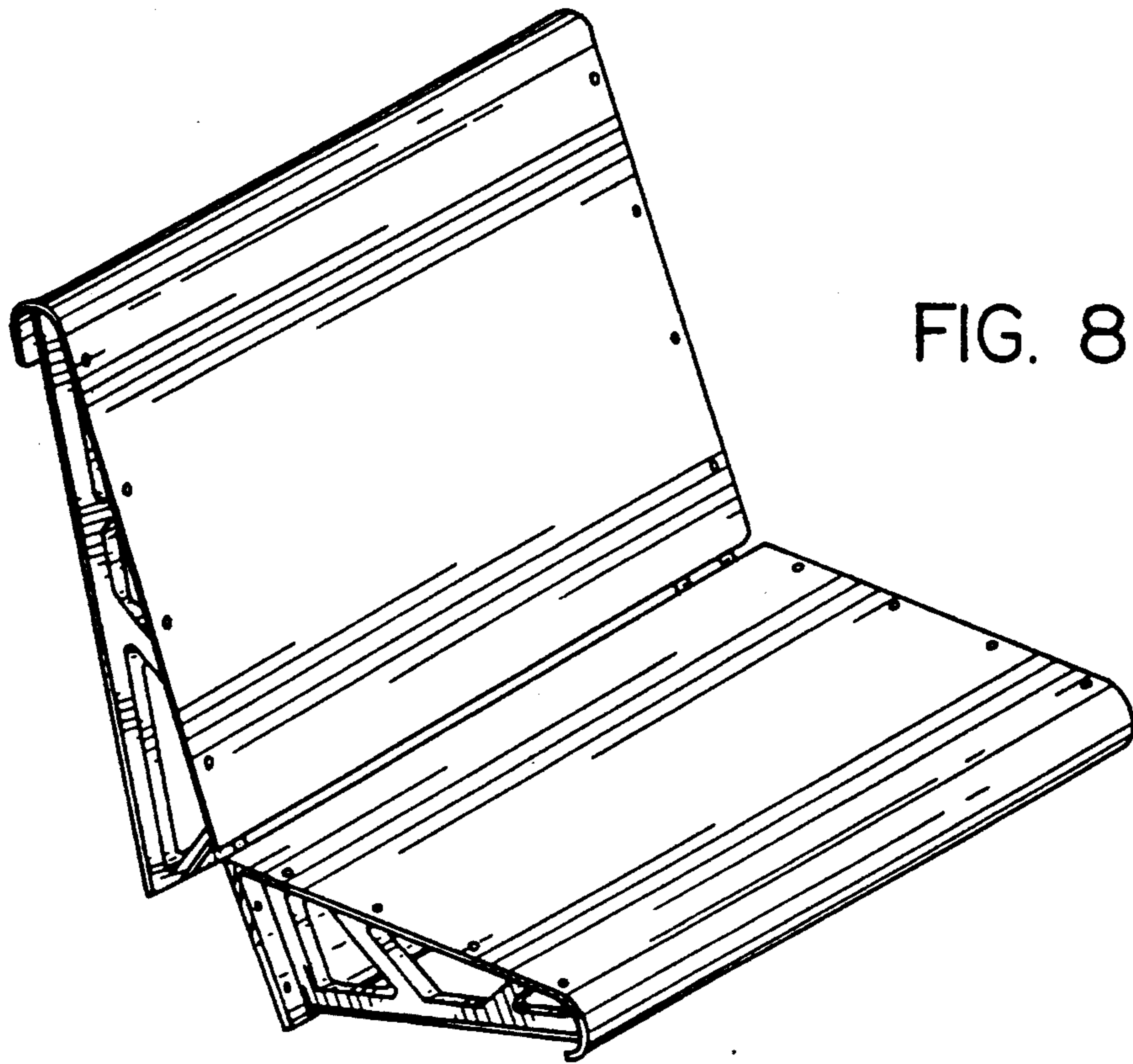


FIG. 8

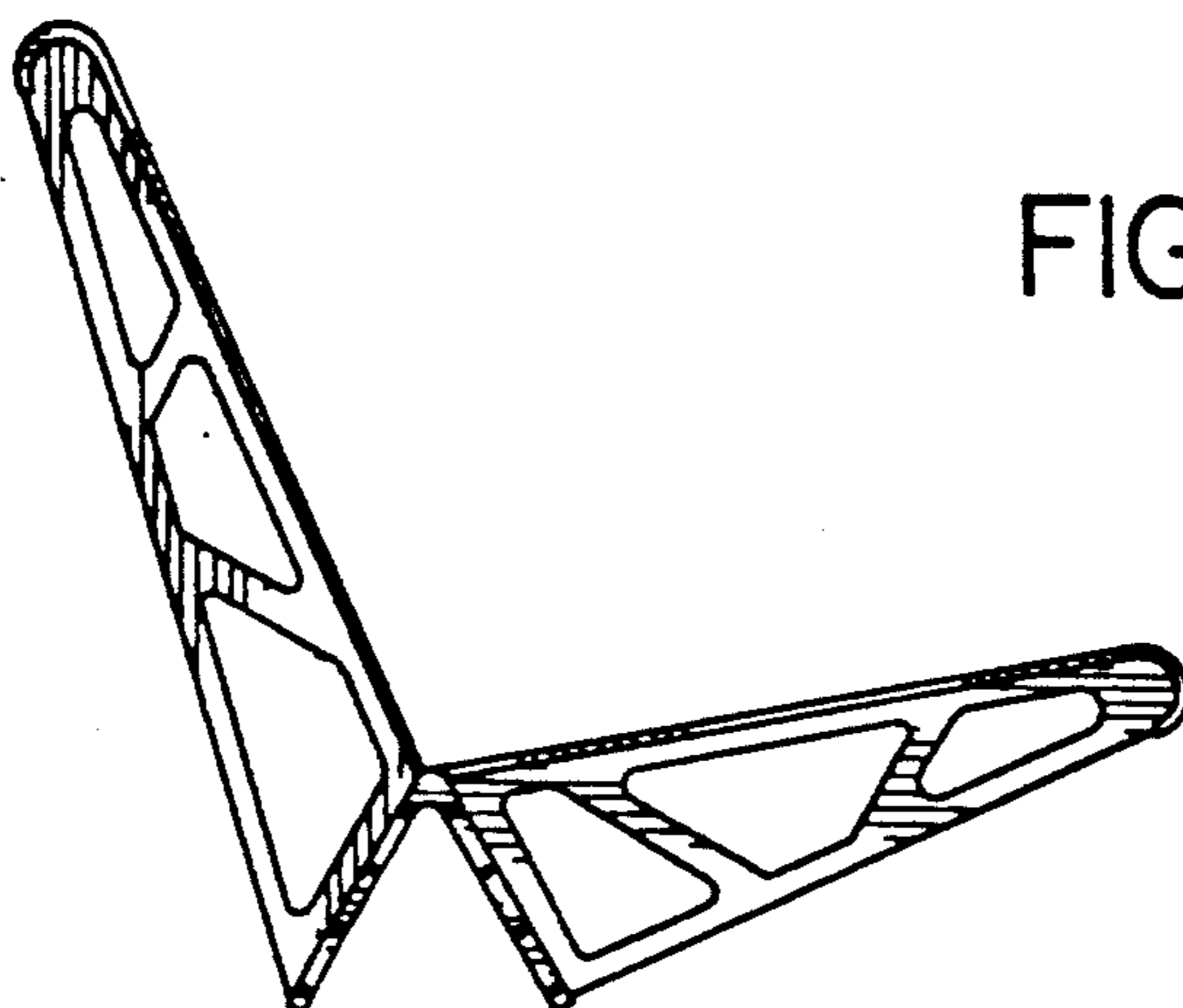


FIG. 9

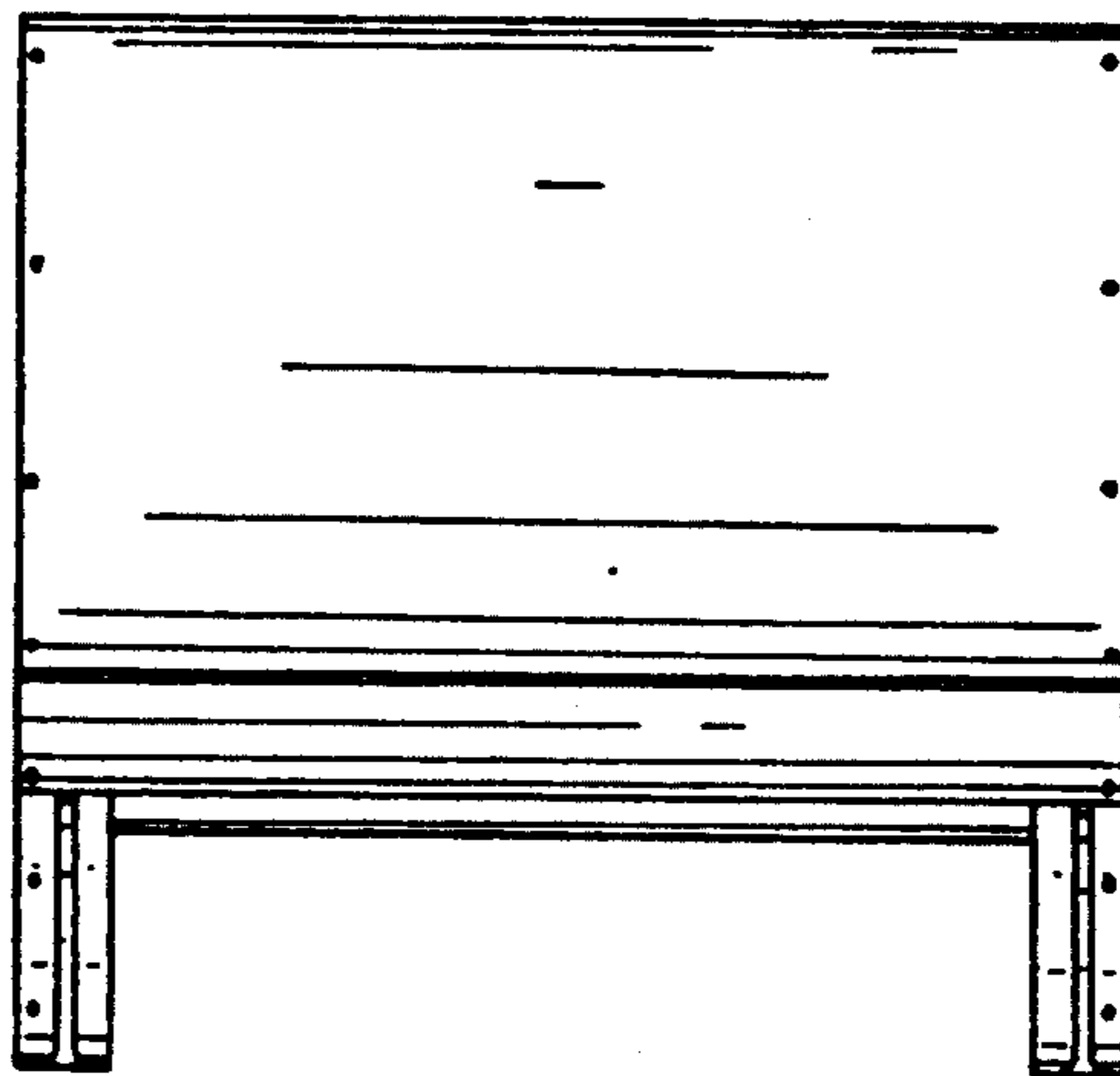


FIG. 10

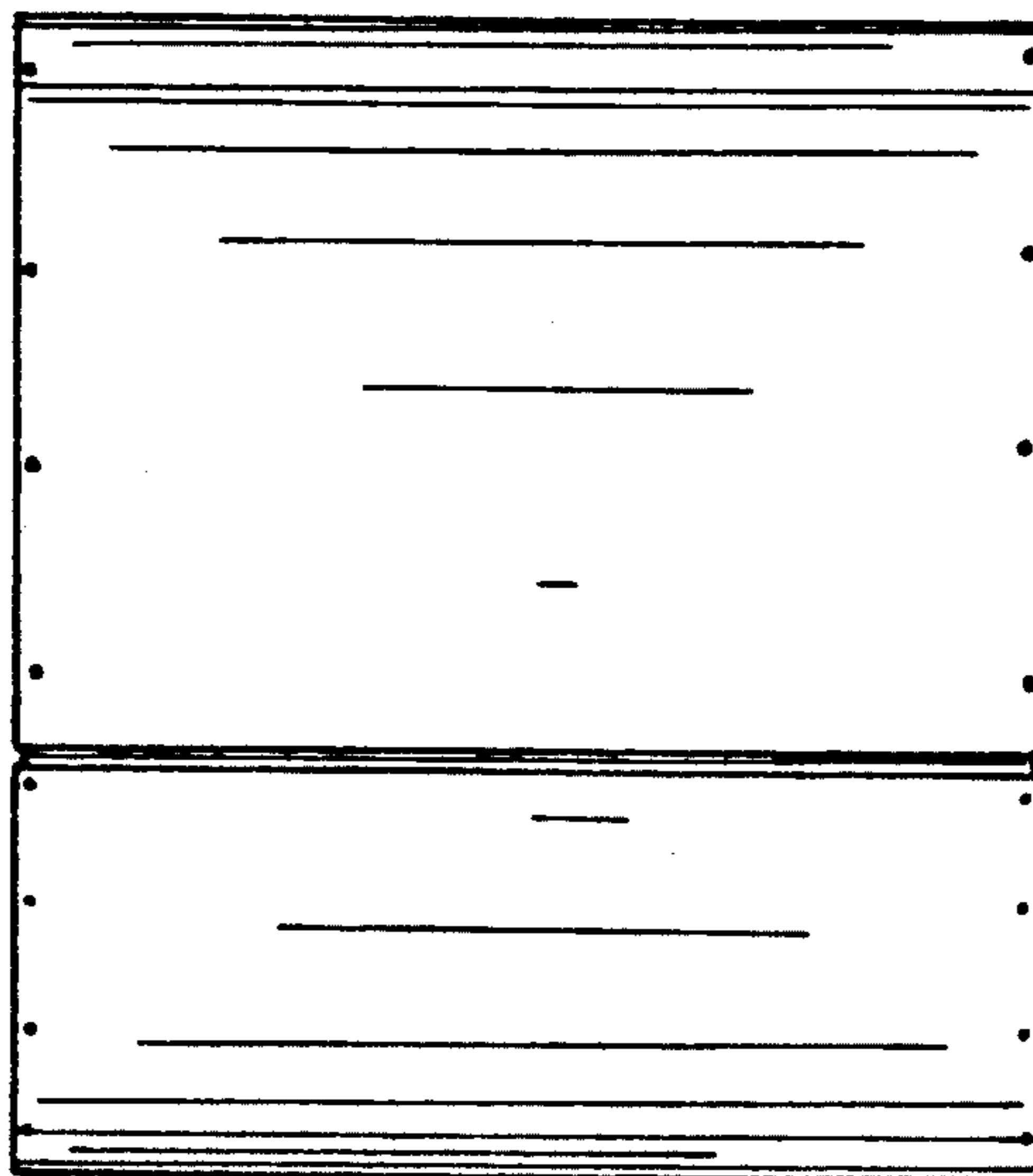


FIG. 11

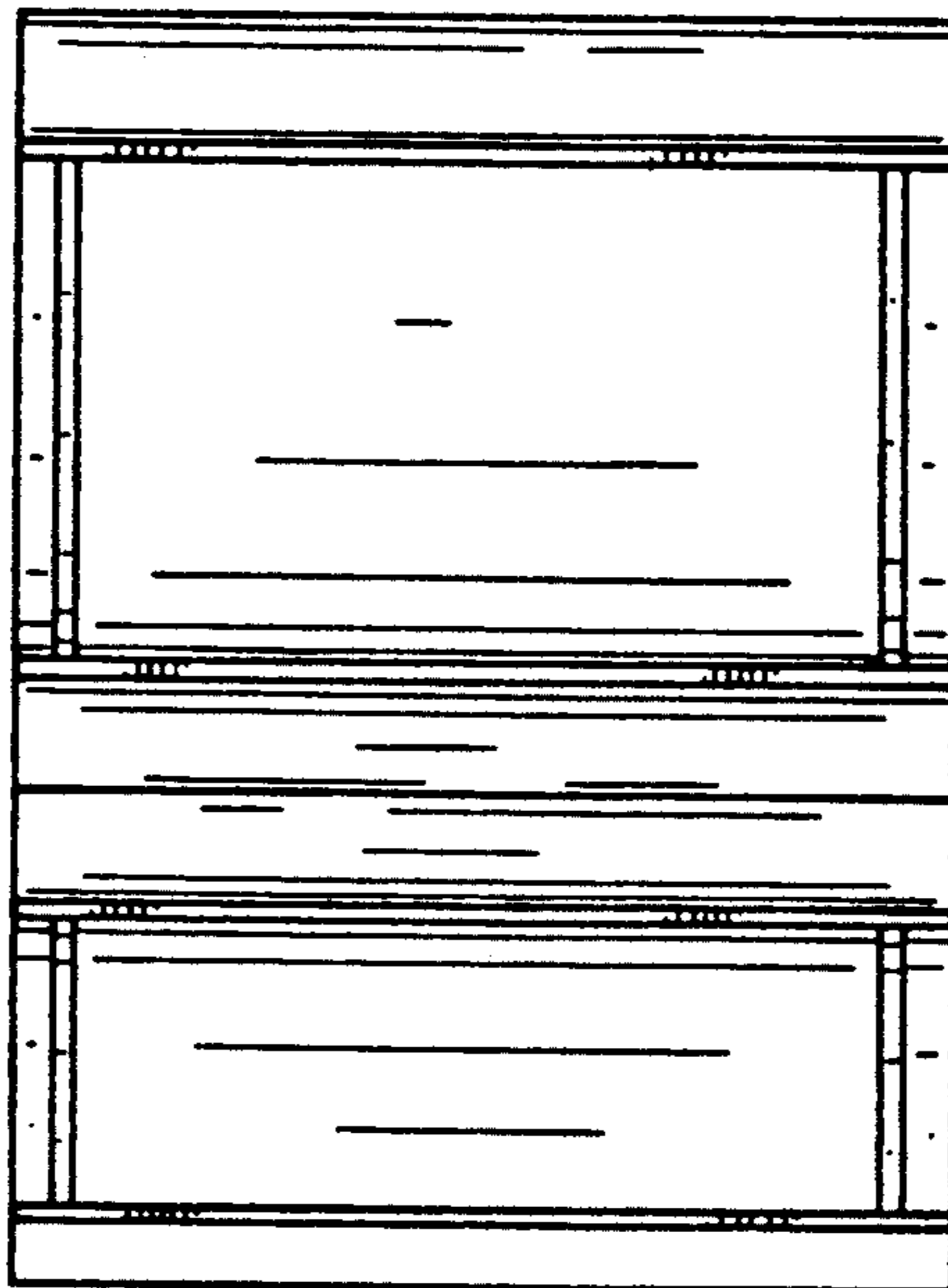


FIG. 12

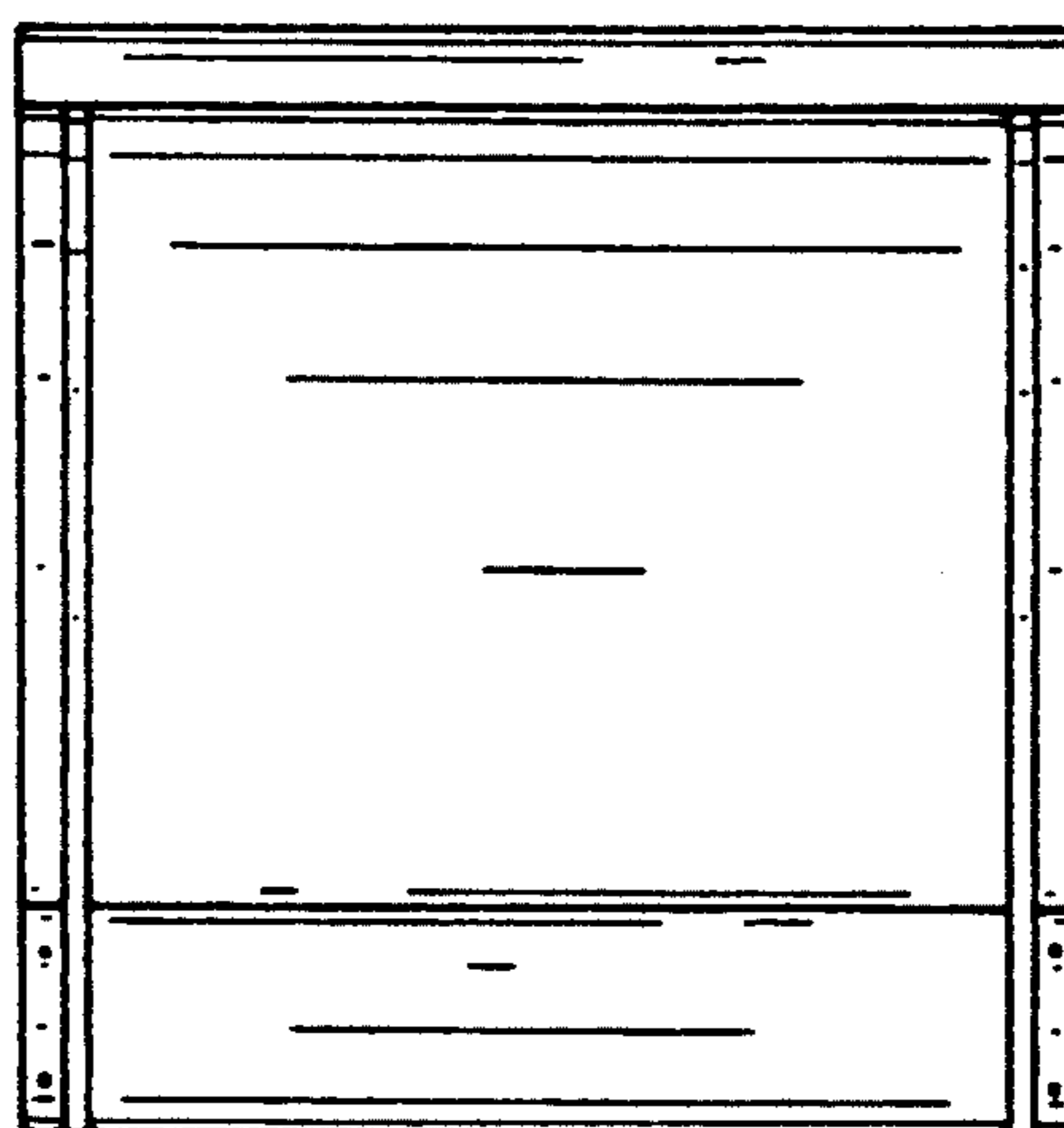


FIG. 13