



US00D347326S

United States Patent [19]
Coleman

[11] **Patent Number: Des. 347,326**

[45] **Date of Patent: ** May 31, 1994**

[54] **LIGHT SOCKET CLEANER**

[76] **Inventor: Edgar Coleman, Rte. 1, Box 84C,
Bogue Chitto, Miss. 39629**

[**] **Term: 14 Years**

[21] **Appl. No.: 881,553**

[22] **Filed: May 14, 1992**

[52] **U.S. Cl. D4/135; D4/127**

[58] **Field of Search D4/127, 132, 135, 138;
15/143.1, 159.1, 160, 191.1, 192-195; 401/120,
123, 126-127, 129**

[56] **References Cited**

U.S. PATENT DOCUMENTS

- D. 288,988 3/1987 Fomby D4/135
- D. 308,623 6/1990 Nishiki D4/127 X
- 1,021,622 3/1912 Nelson 401/120

- 3,875,608 4/1975 Weiss 15/193
- 4,339,054 7/1982 Kellogg 220/295

Primary Examiner—James M. Gandy
Assistant Examiner—Lavone D. Tabor
Attorney, Agent, or Firm—Terry M. Gernstein

[57] **CLAIM**

The ornamental design for a light socket cleaner, as shown and described.

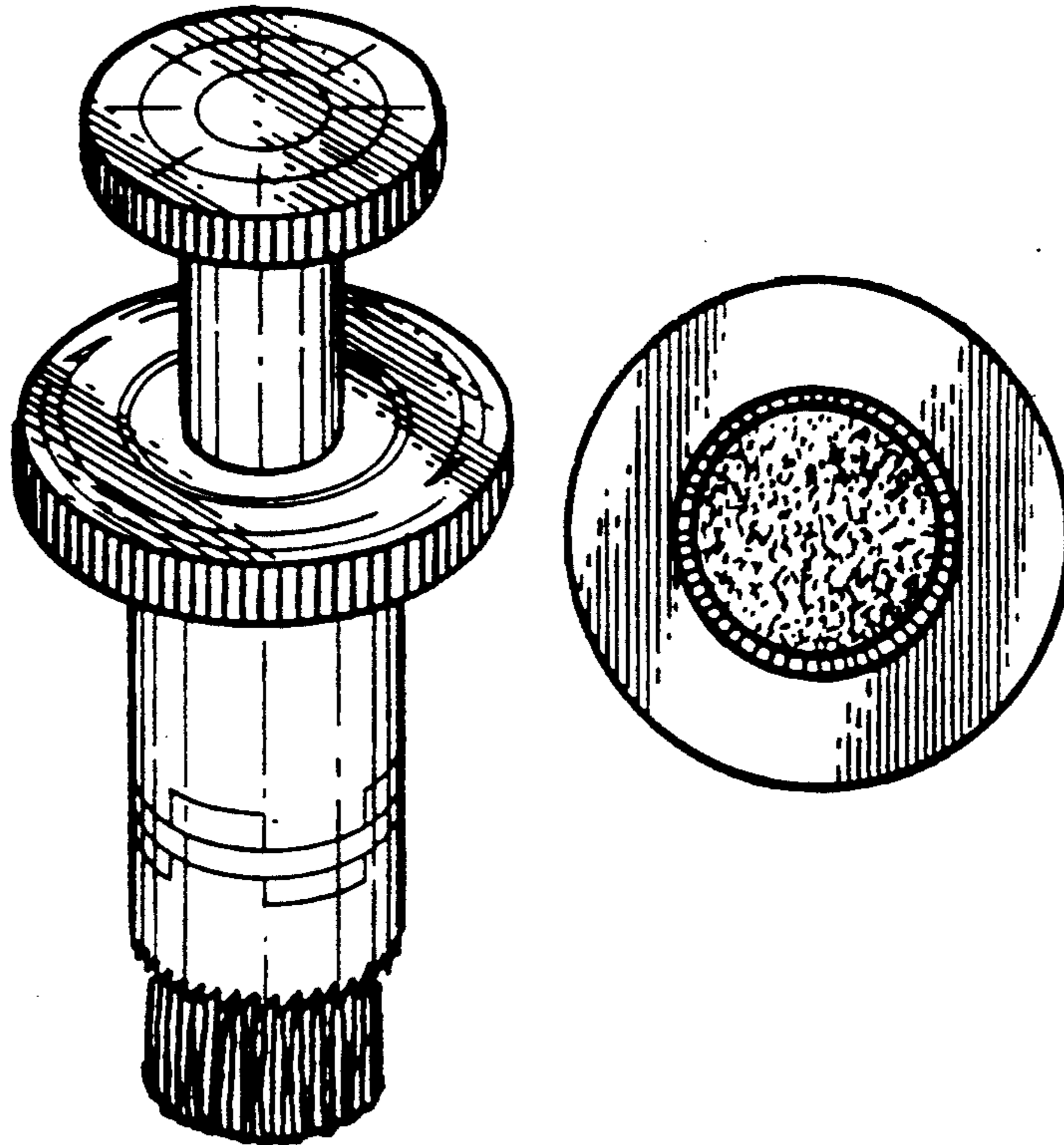
DESCRIPTION

FIG. 1 is a front, top and side perspective view of the light socket cleaner embodying the design of the present invention;

FIG. 2 is a typical elevational view thereof, all side elevational views being identical;

FIG. 3 is a top plan view thereof; and,

FIG. 4 is a bottom view thereof.



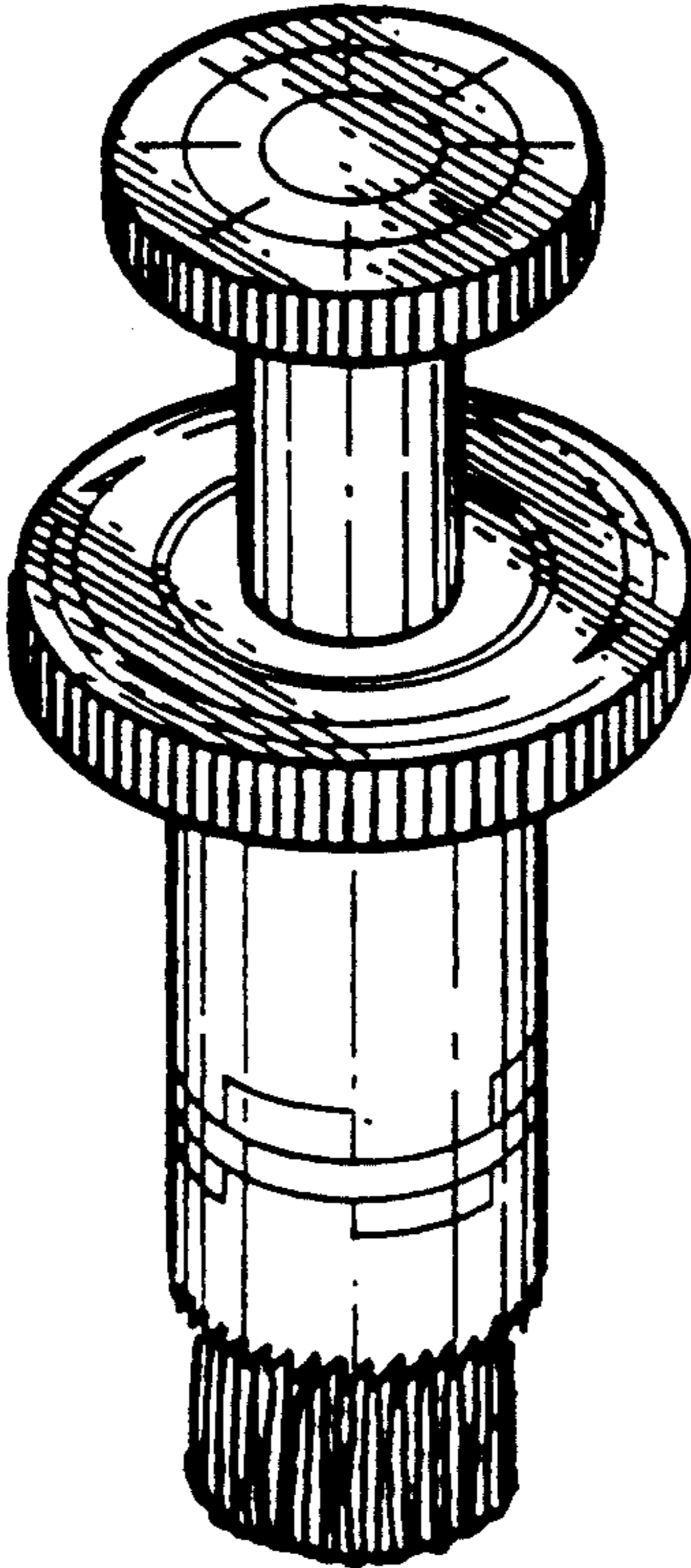


FIG. 1

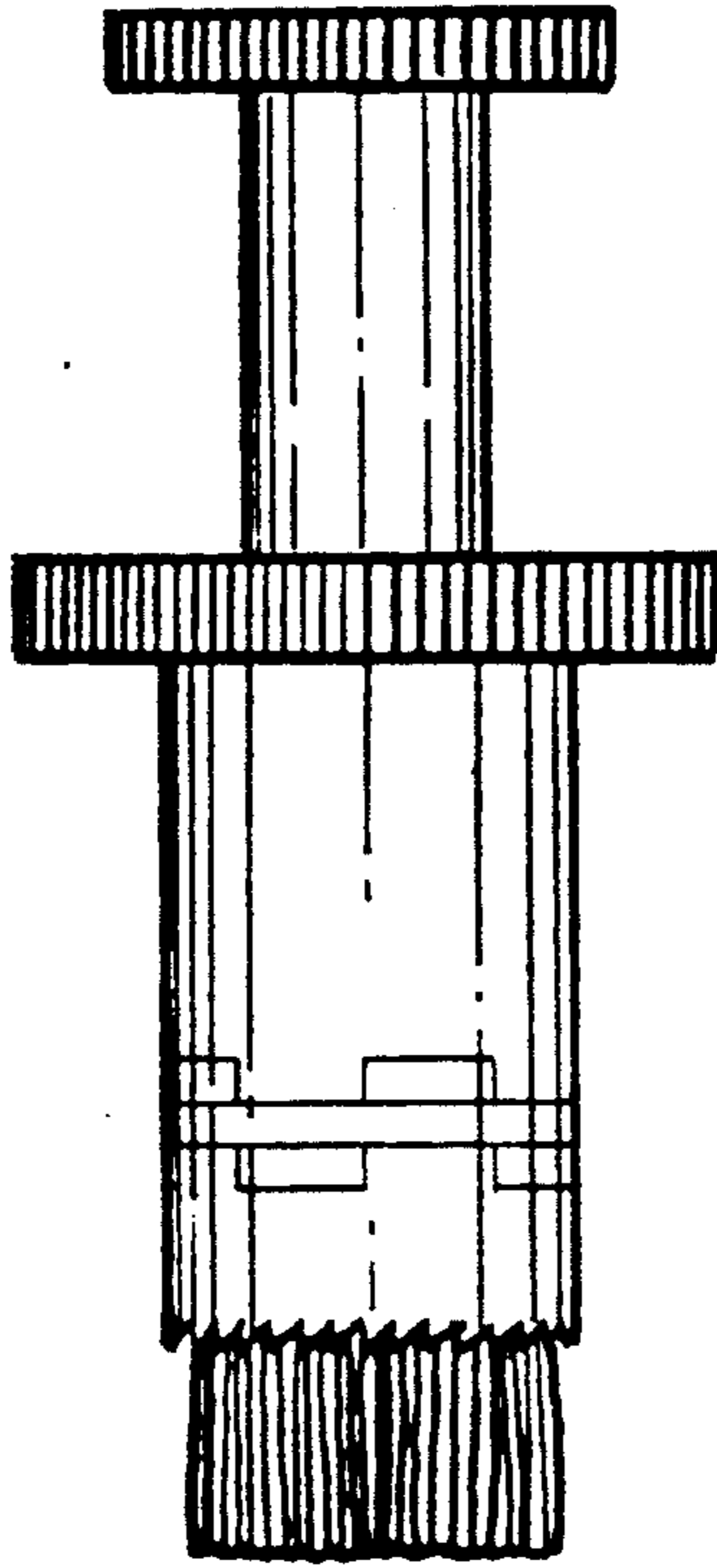


FIG. 2

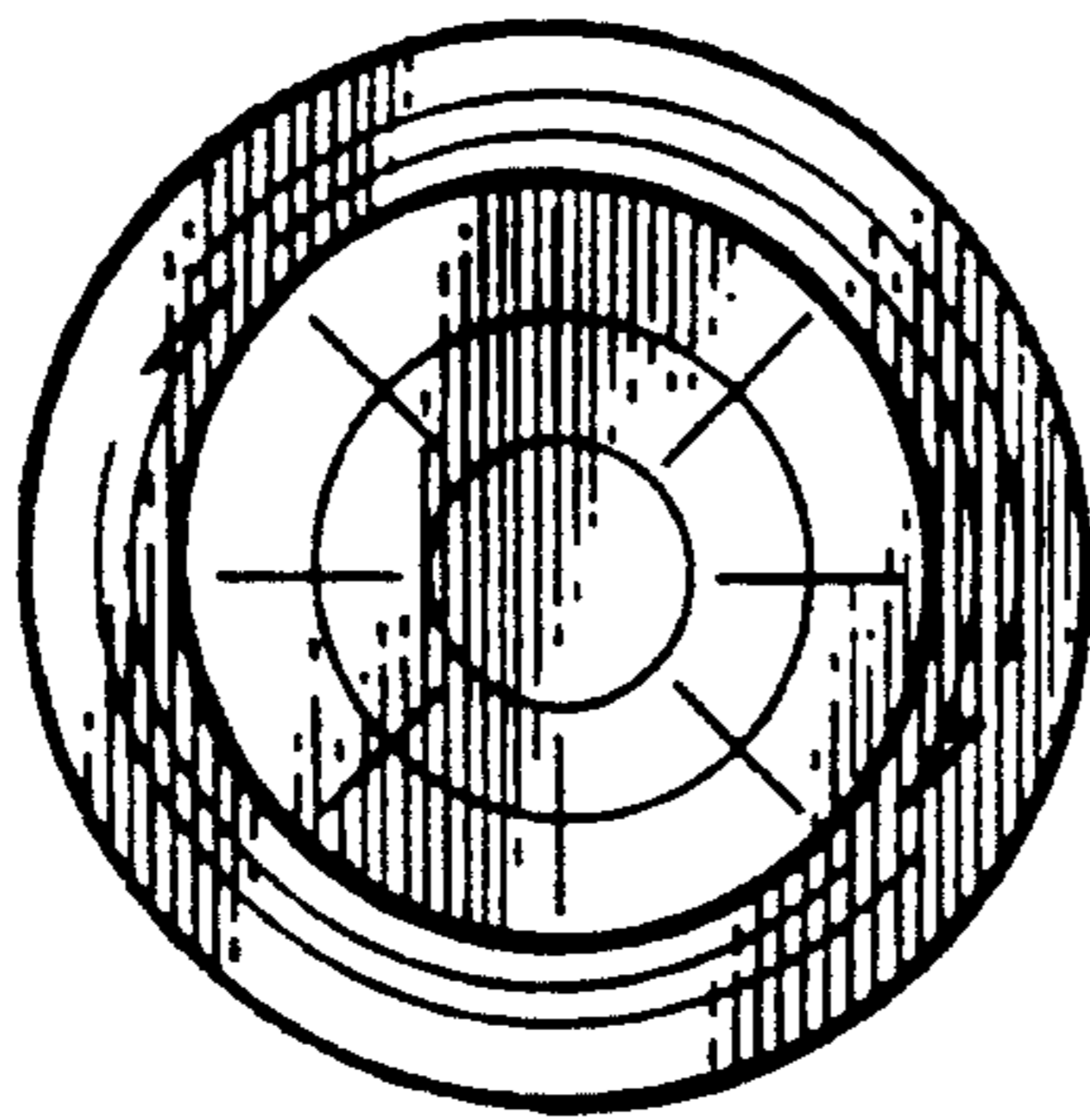


FIG. 3

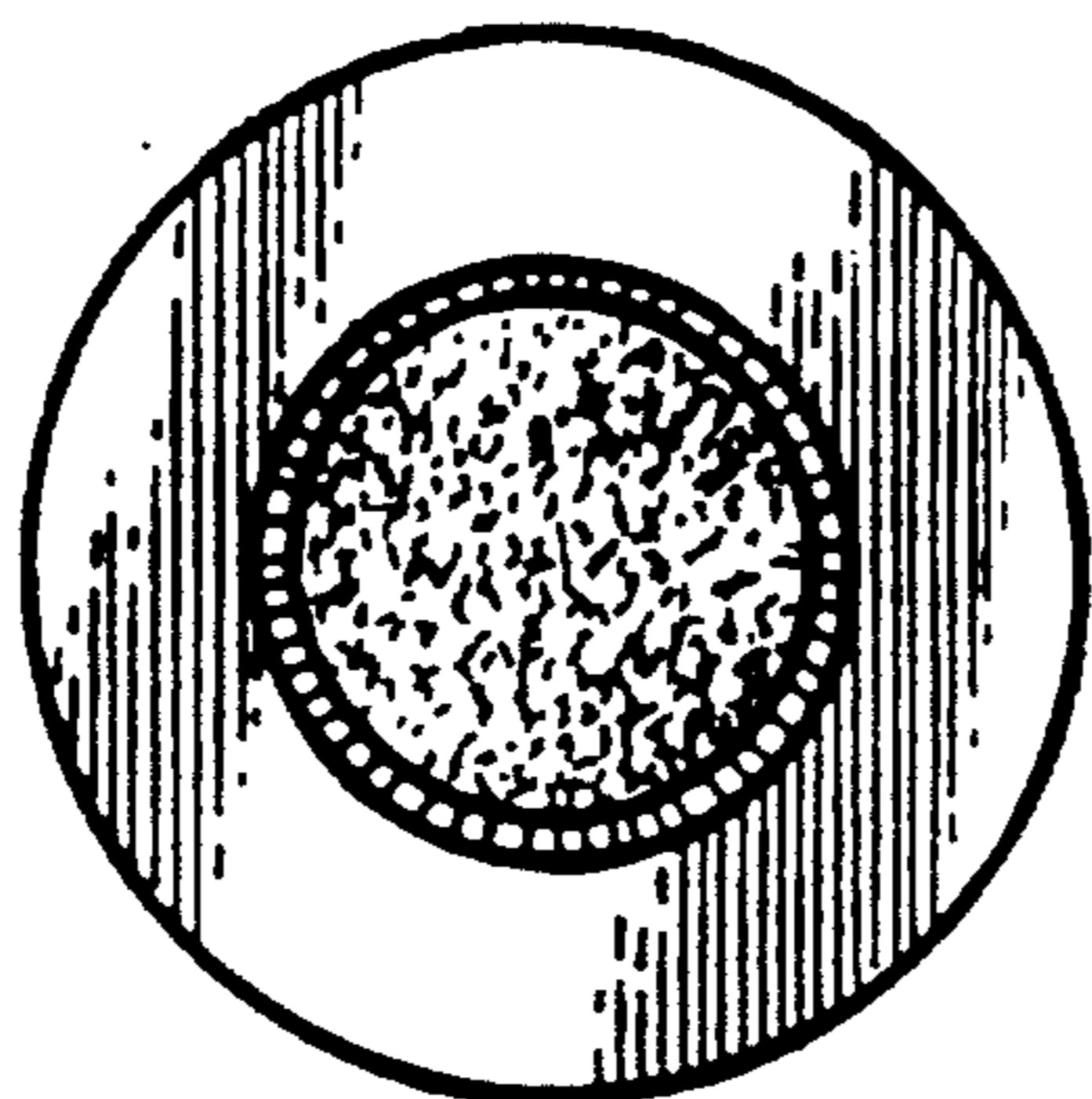


FIG. 4