



US00D347321S

United States Patent [19]

[11] Patent Number: Des. 347,321

Ozeki

[45] Date of Patent: ** May 31, 1994

[54] RECORDING MEDIUM STORING CASE

[75] Inventor: Jiro Ozeki, Tokyo, Japan

[73] Assignee: Slidex Corporation, Tokyo, Japan

[**] Term: 14 Years

[21] Appl. No.: 896,561

[22] Filed: Jun. 9, 1992

[52] U.S. Cl. D6/630; D6/631

[58] Field of Search D3/30.1, 35, 74;
206/387, 311, 244; D19/25, 26

[56] References Cited

U.S. PATENT DOCUMENTS

D. 164,441	9/1951	Orzechowski et al.	D19/26
D. 281,834	12/1985	Rose, Jr. et al.	D3/35
D. 295,573	5/1988	Williams	D3/35
D. 303,042	8/1989	Mackey	D3/35
D. 316,179	4/1991	Hasuike	D3/35
1,431,714	10/1922	Wilking	D3/35
4,511,043	4/1985	Pan	206/387
4,676,374	6/1987	Wilkins	206/311
4,717,021	1/1988	Ditzig	206/387
4,823,950	4/1989	Rose	206/311

Primary Examiner—A. Hugo Word

Assistant Examiner—Celia A. Murphy

Attorney, Agent, or Firm—Michael O. Warnecke;

Richard A. Speer

[57] CLAIM

The ornamental design for a recording medium storing case, as shown and described.

DESCRIPTION

FIG. 1 is a perspective view of a recording medium storing case showing my new design;

FIG. 2 is a front elevational view of the recording medium storing case shown in FIG. 1;

FIG. 3 is a rear side view of the recording medium storing case;

FIG. 4 is a top plan view of the recording medium storing case;

FIG. 5 is a left side view of the recording medium storing case;

FIG. 6 is a front elevational view of the recording medium storing case with the right side of the case being opened;

FIG. 7 is a top plan view of the case in the condition shown in FIG. 6;

FIG. 8 is a rear side view of the case in the condition shown in FIG. 6;

FIG. 9 is a front elevational view of FIG. 6 slightly rotated in a clockwise direction;

FIG. 10 is a front elevational view with the left side being opened;

FIG. 11 is a top plan view of the case with the condition shown in FIG. 10;

FIG. 12 is a front elevational view of FIG. 10 slightly rotated, in a clockwise direction;

FIG. 13 is a perspective view of the case in a fully extended position;

FIG. 14 is a front elevational view of the case in the condition shown in FIG. 13;

FIG. 15 is a top plan view of the case in the condition shown in FIG. 14;

FIG. 16 is a sectional view taken on line 16—16 of FIG. 14, the central portion being shown;

FIG. 17 is a perspective view shown with the right side being open;

FIG. 18 is a perspective view of the case with the left side being shown open; and,

FIG. 19 is a front view of the case in the condition shown in FIG. 17.

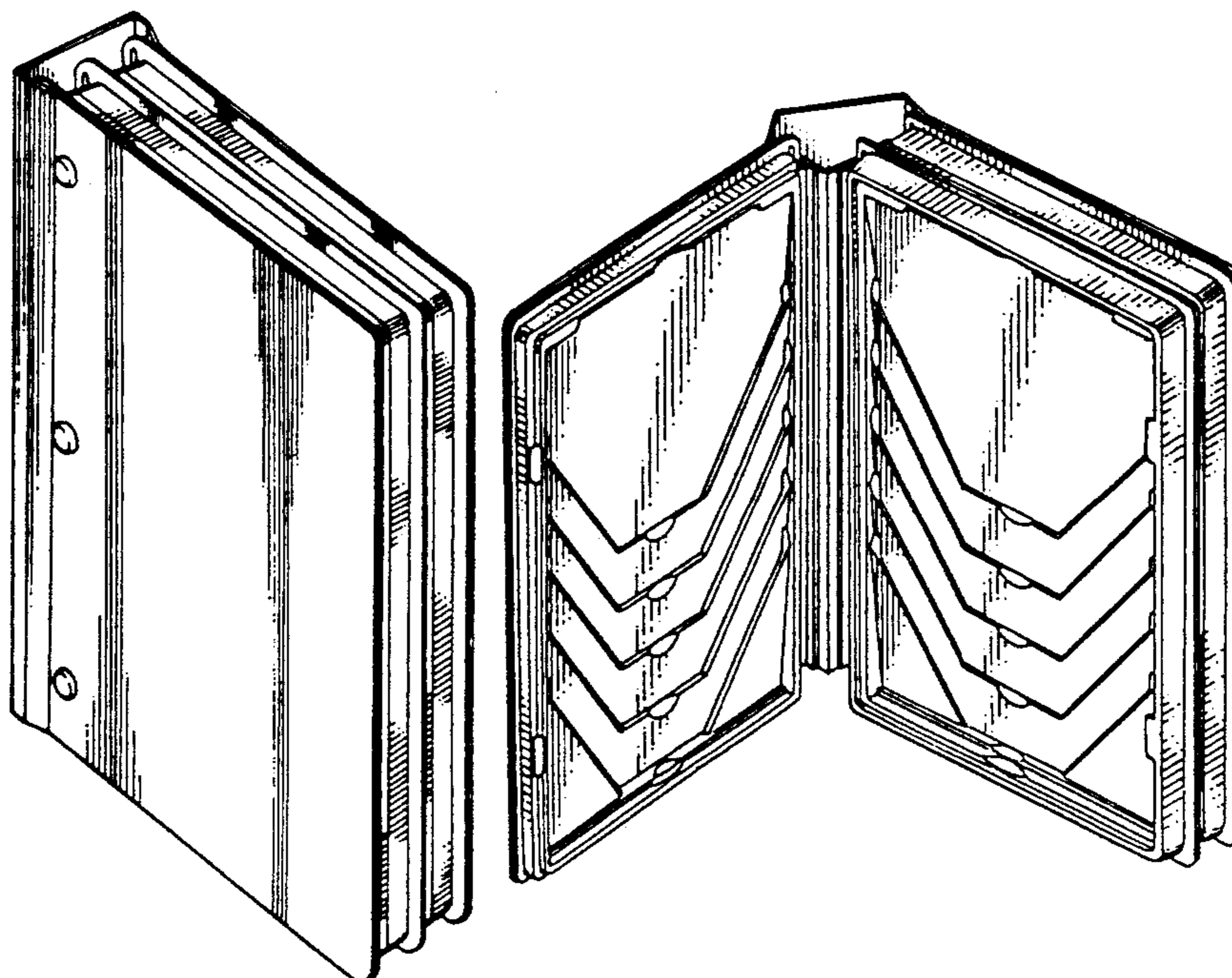


FIG. 1

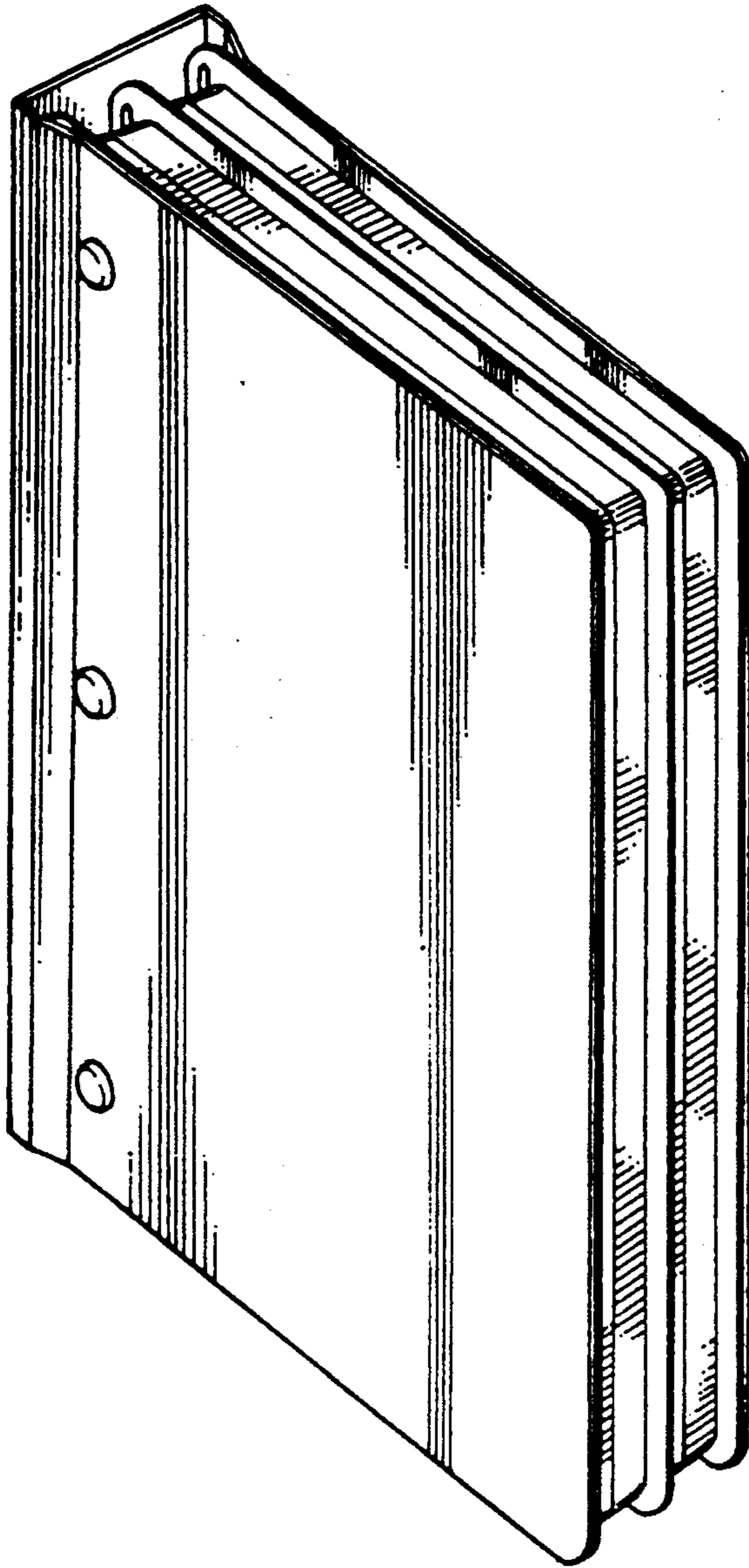


FIG. 2

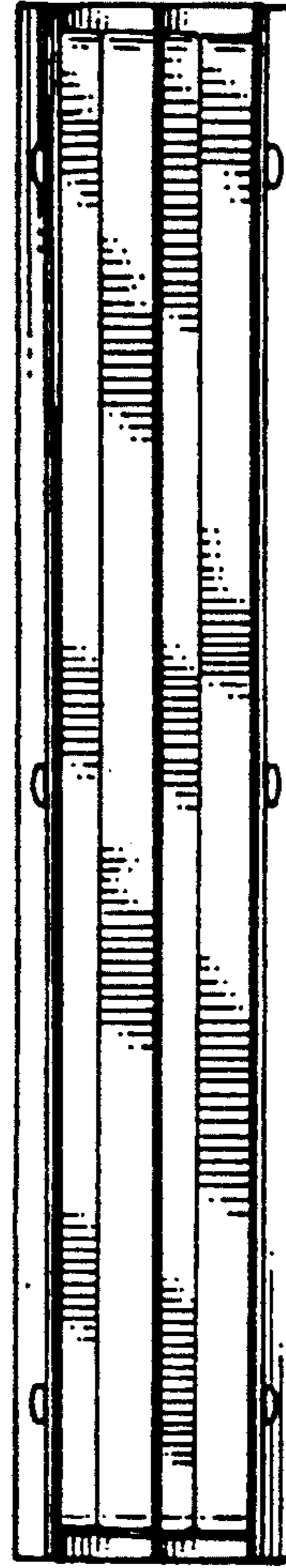


FIG. 3

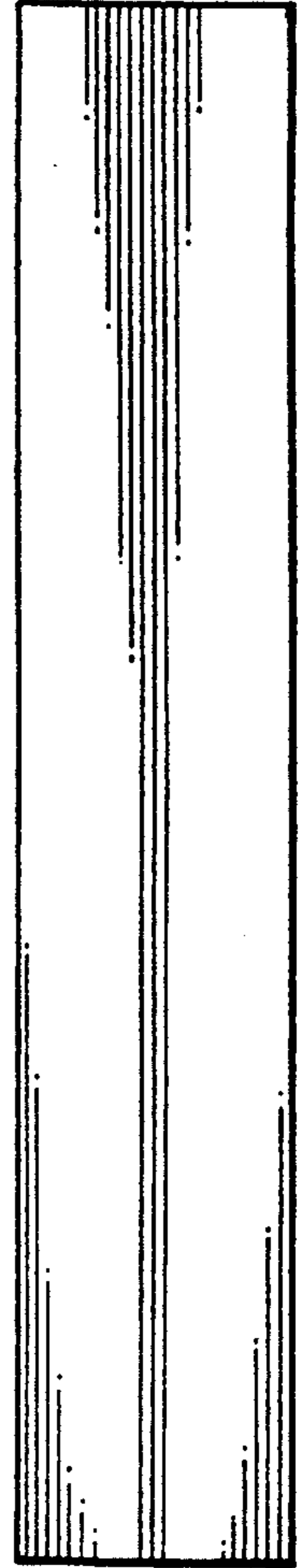


FIG. 4

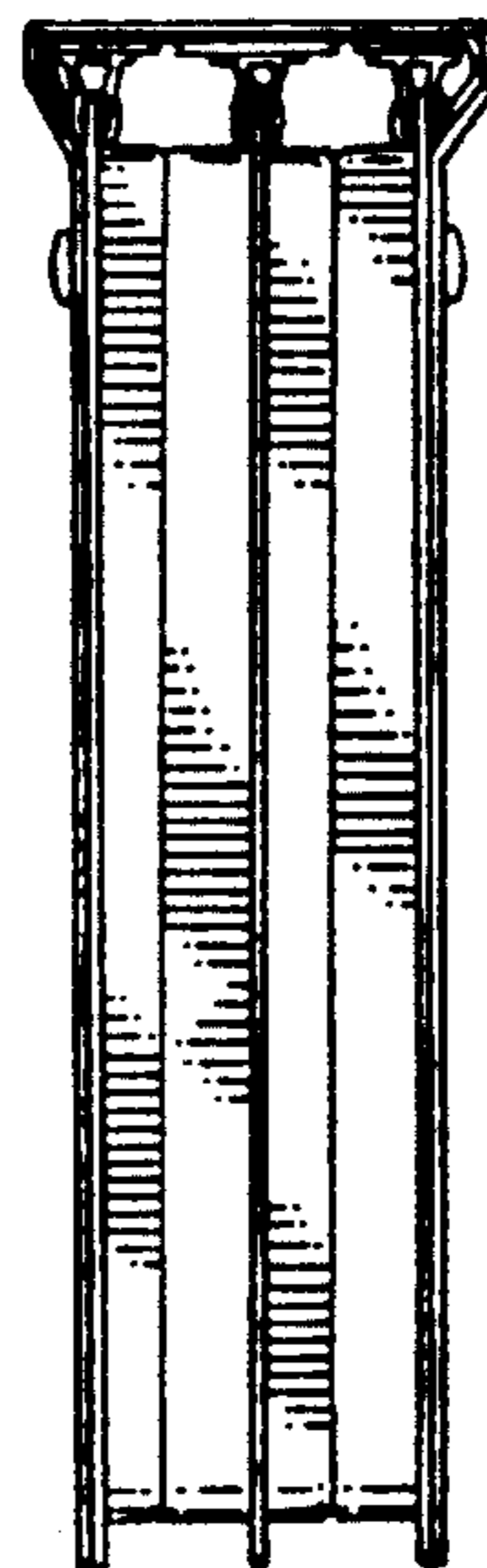


FIG. 8

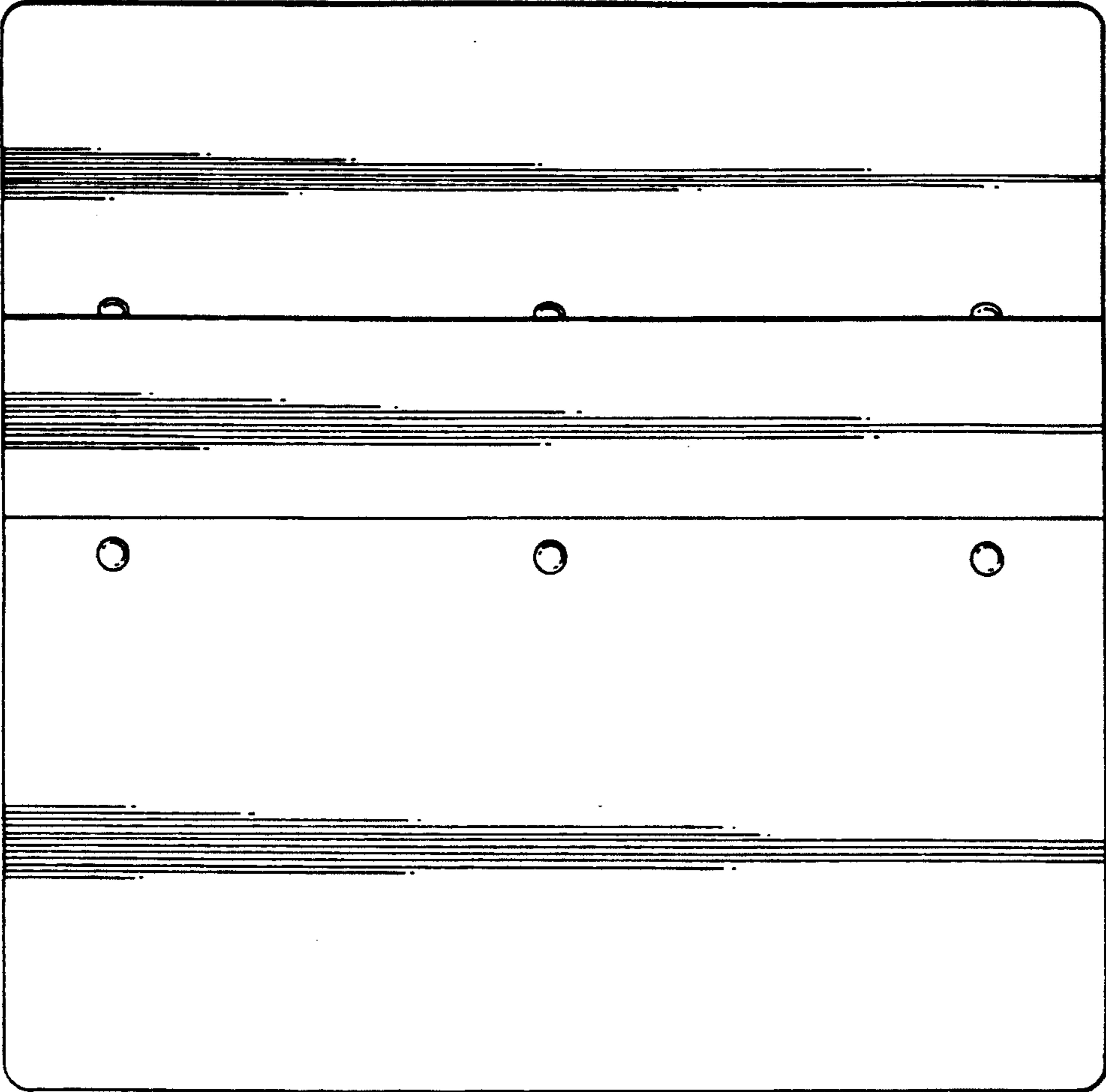


FIG. 5

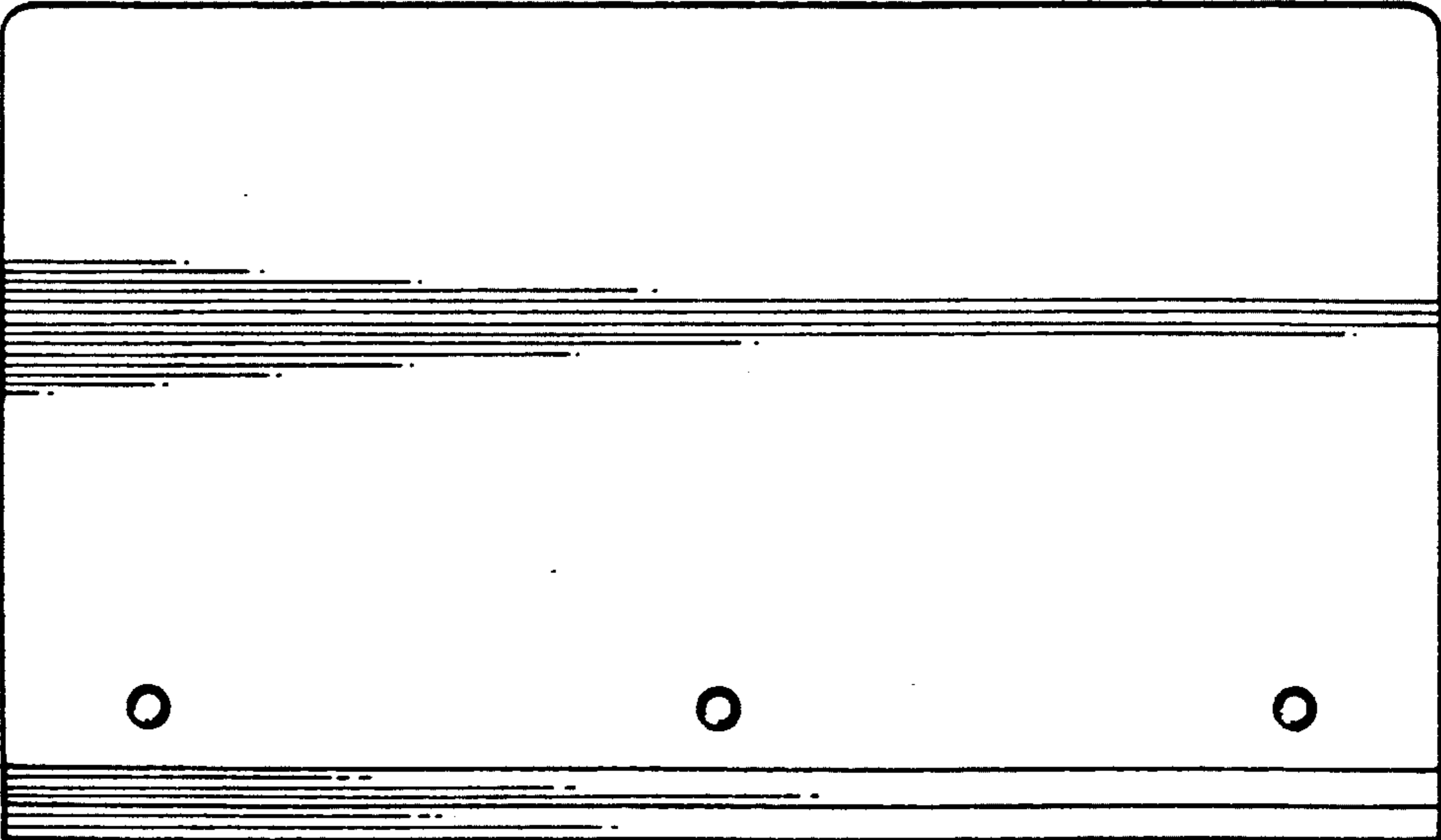


FIG. 6

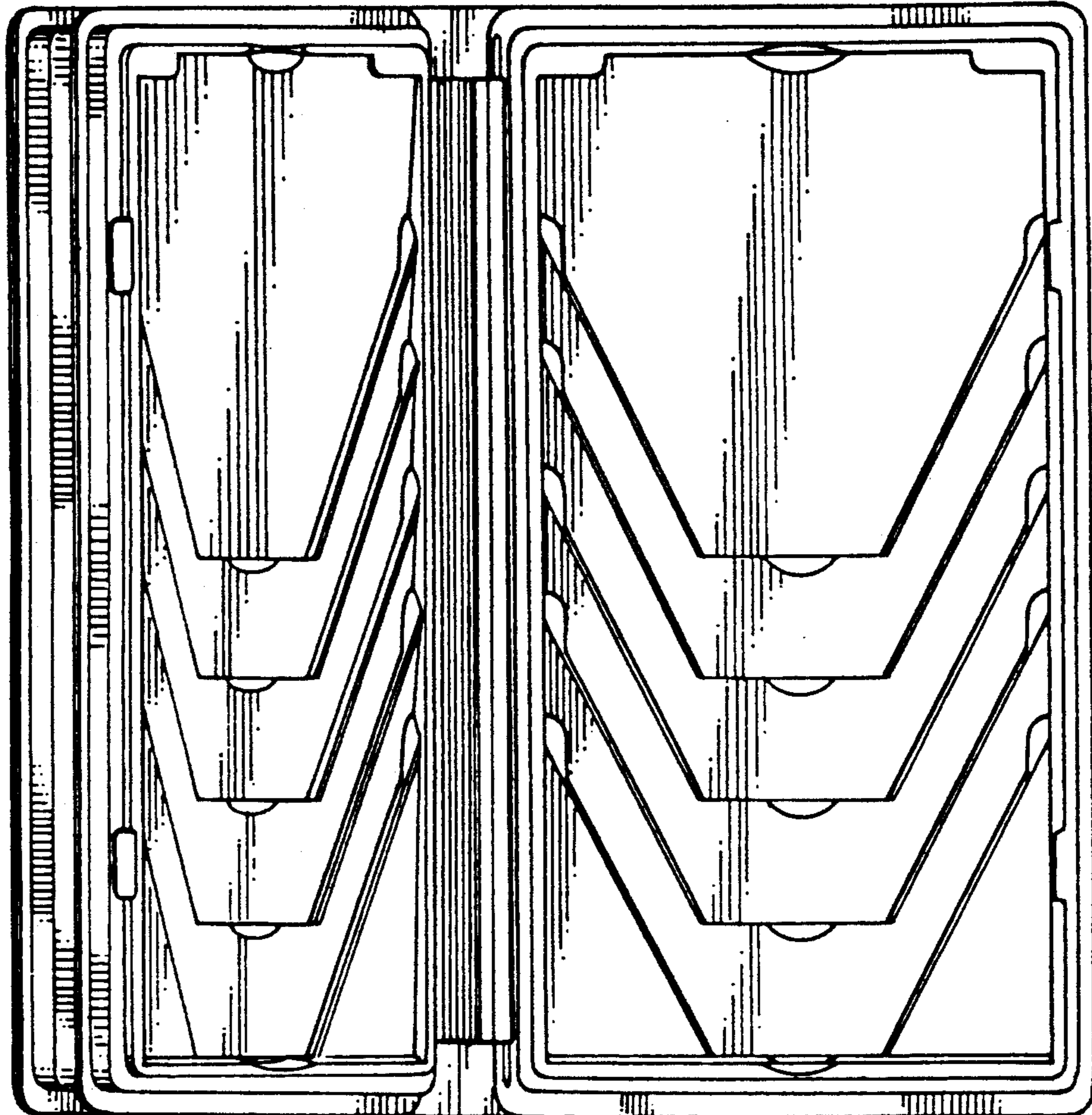


FIG. 7

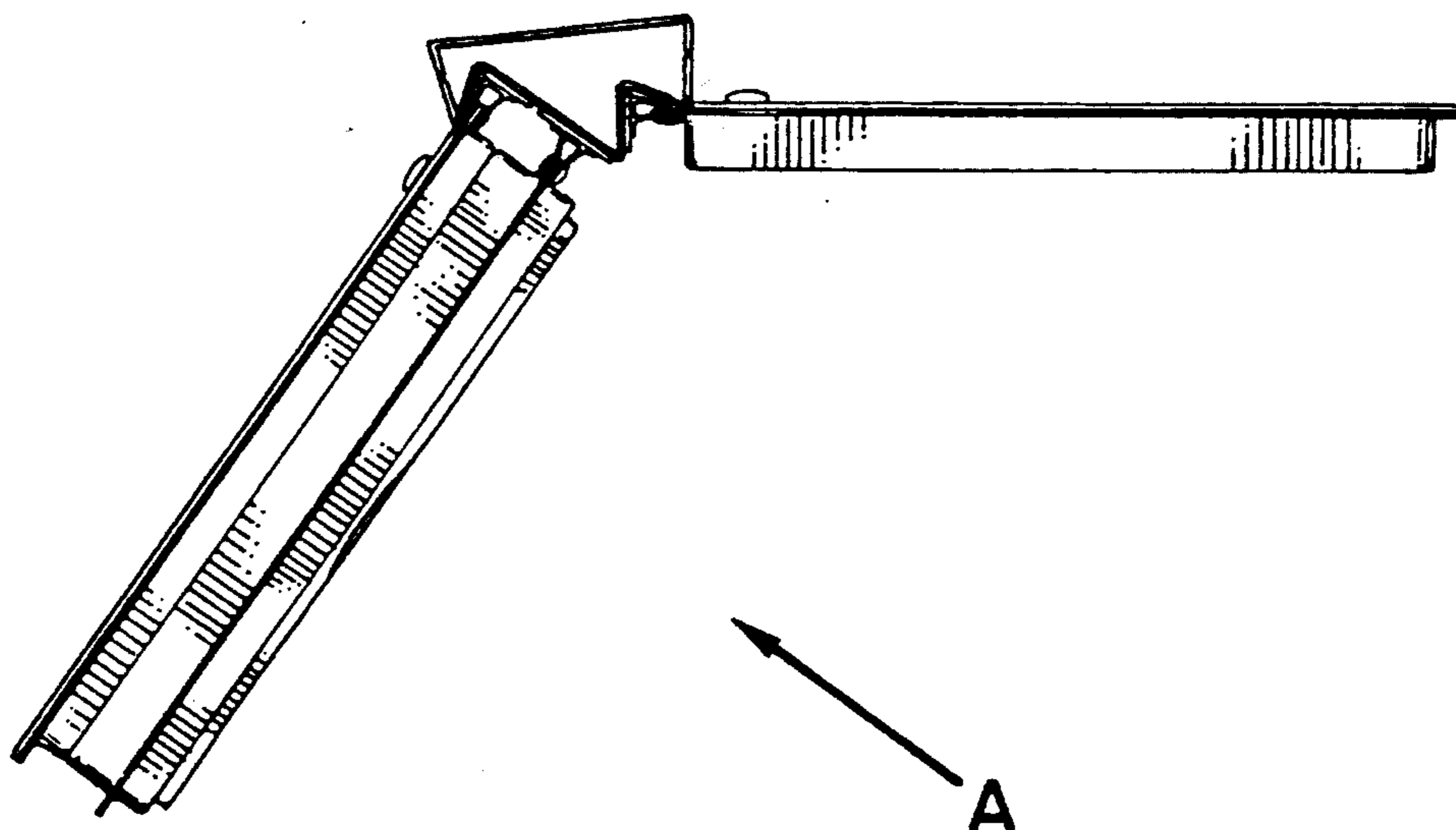


FIG. 12

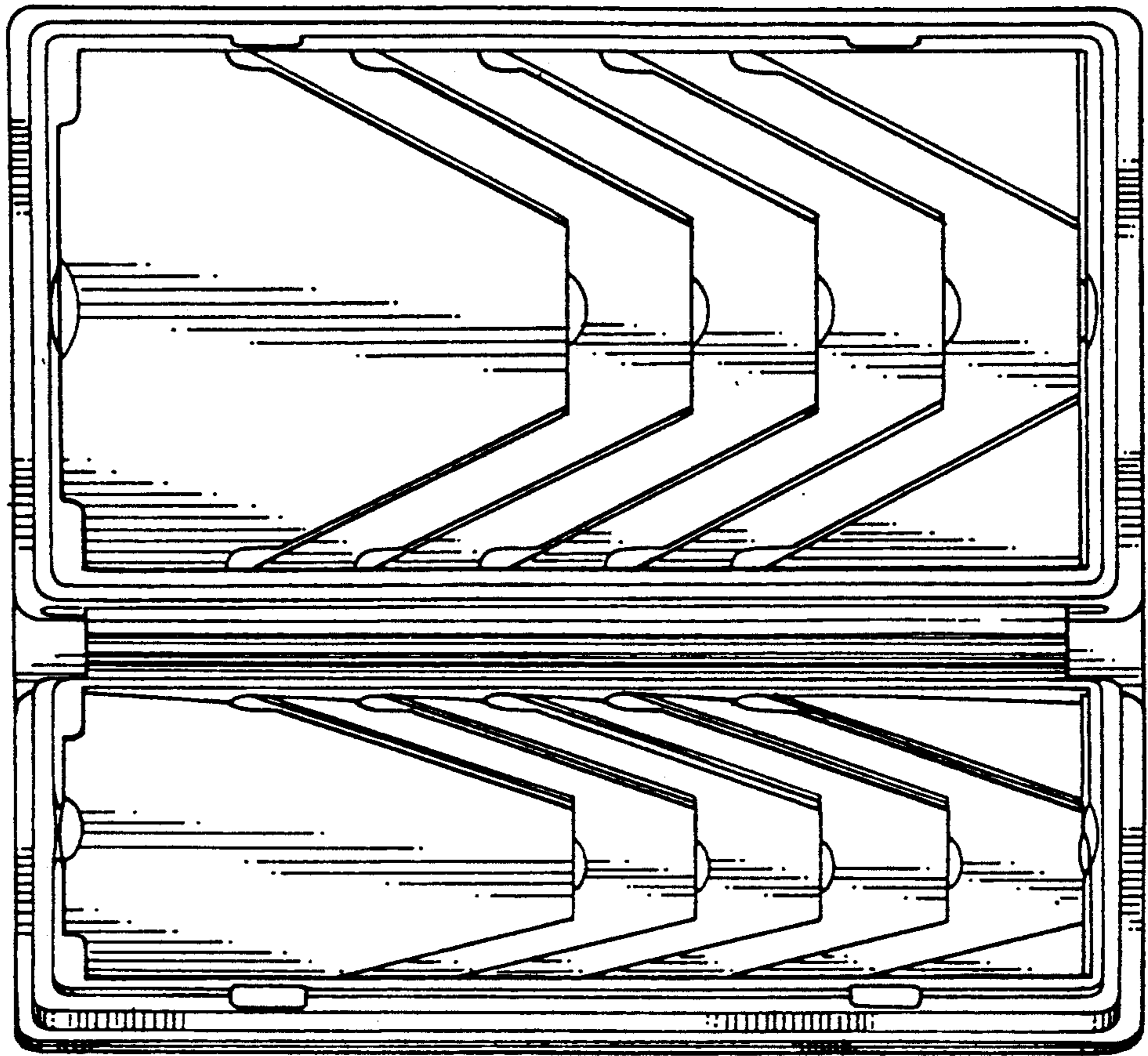


FIG. 9

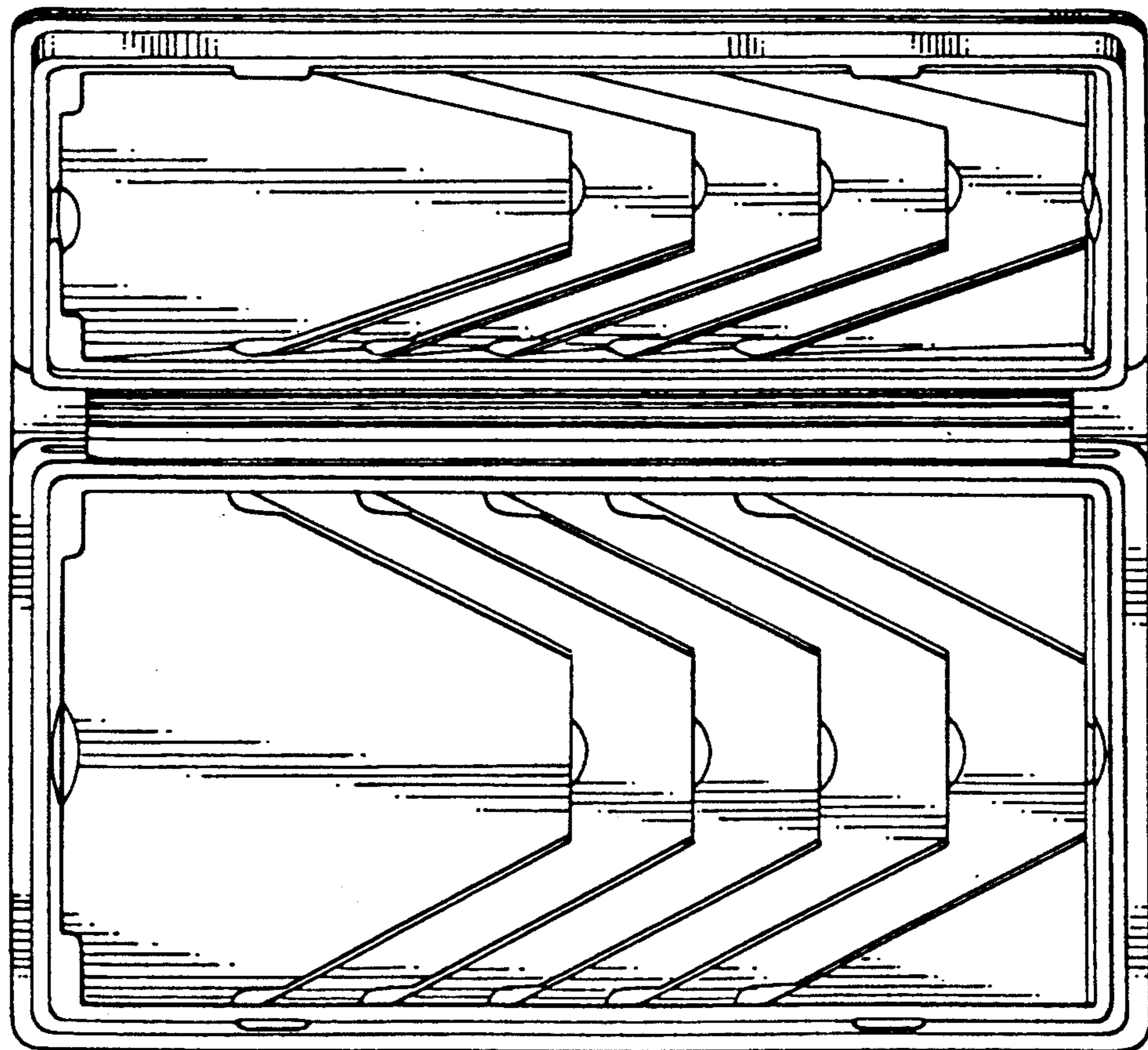


FIG. 10

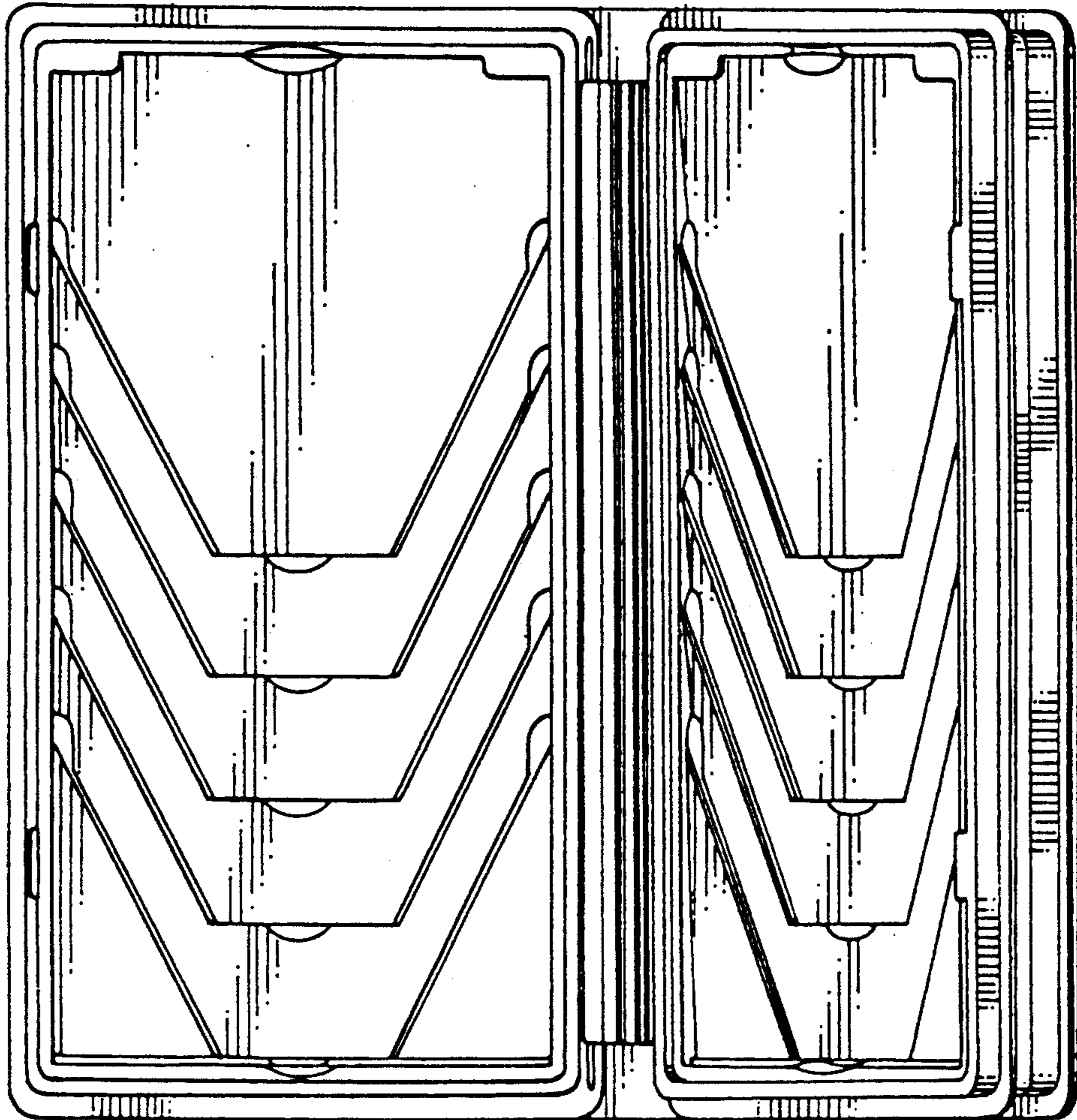


FIG. 11

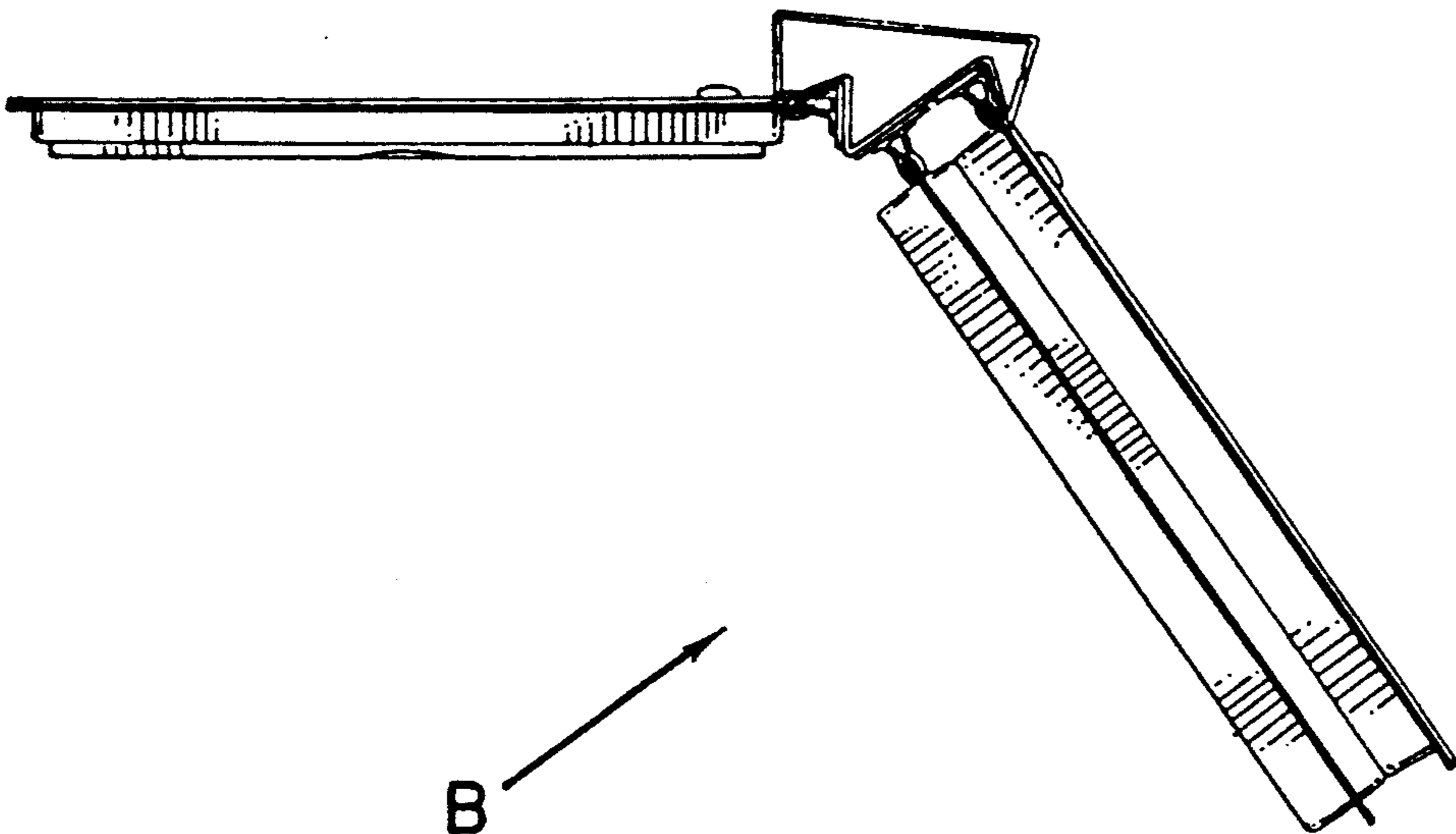


FIG. 13

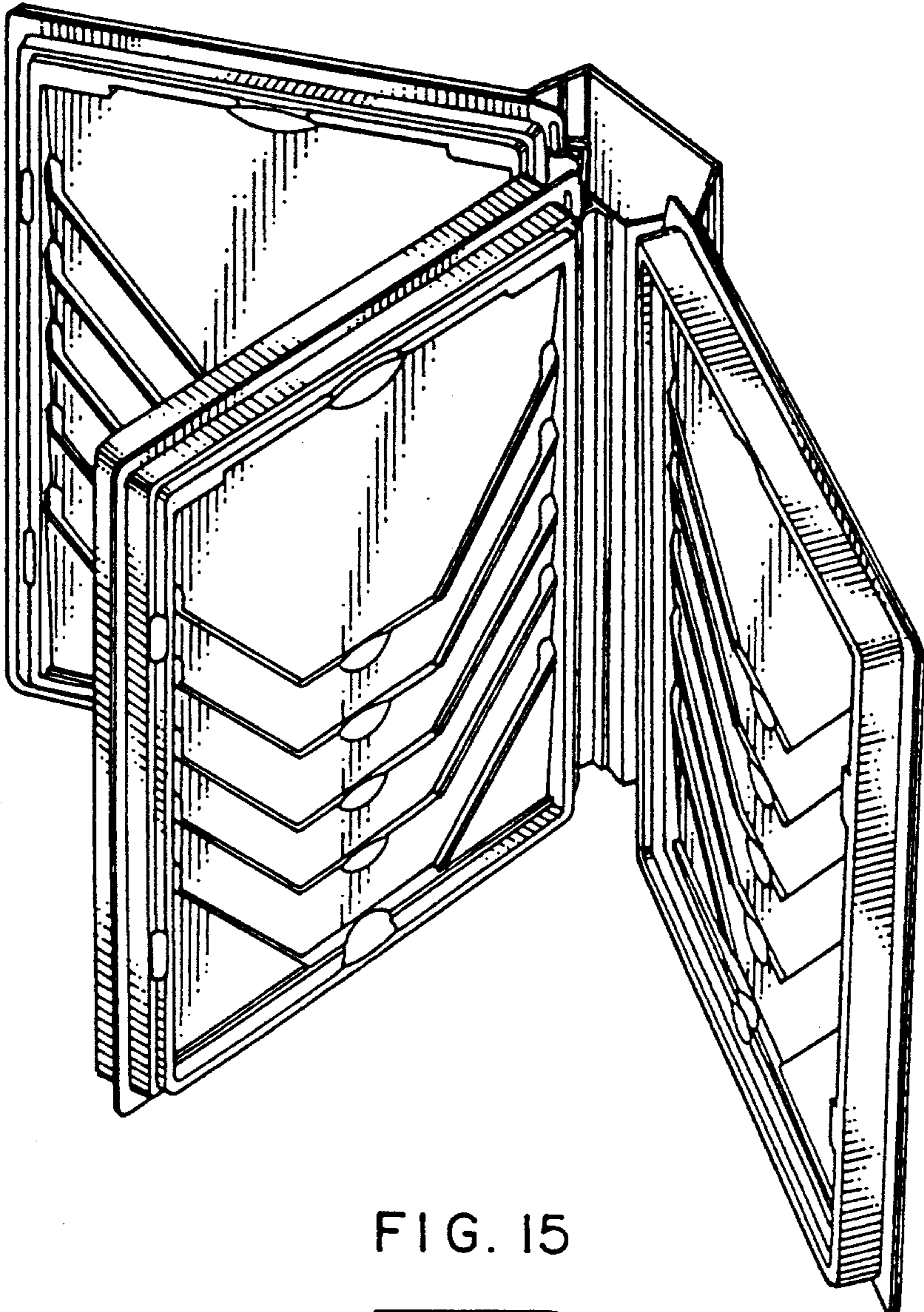


FIG. 15

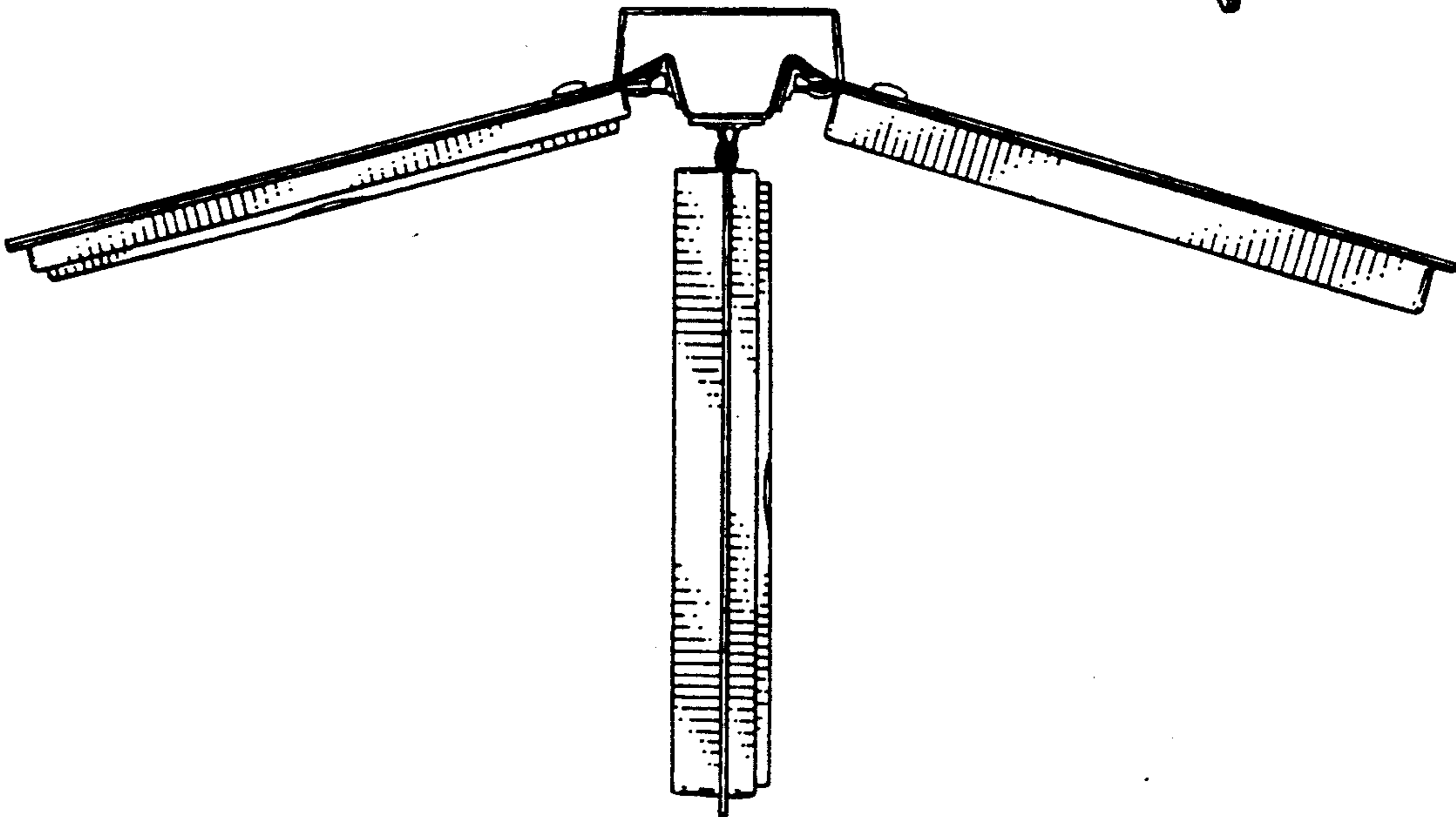


FIG. 14

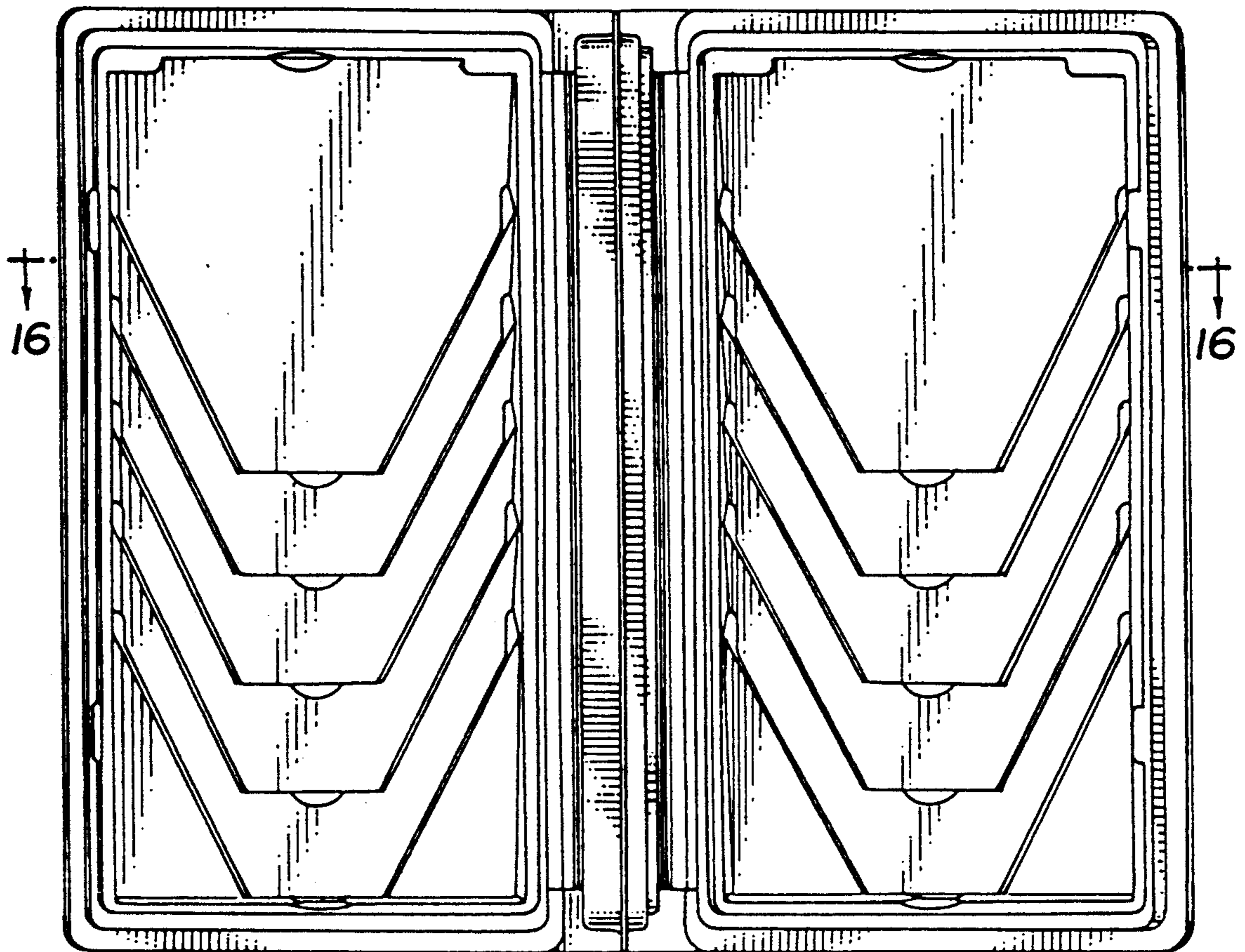


FIG. 16

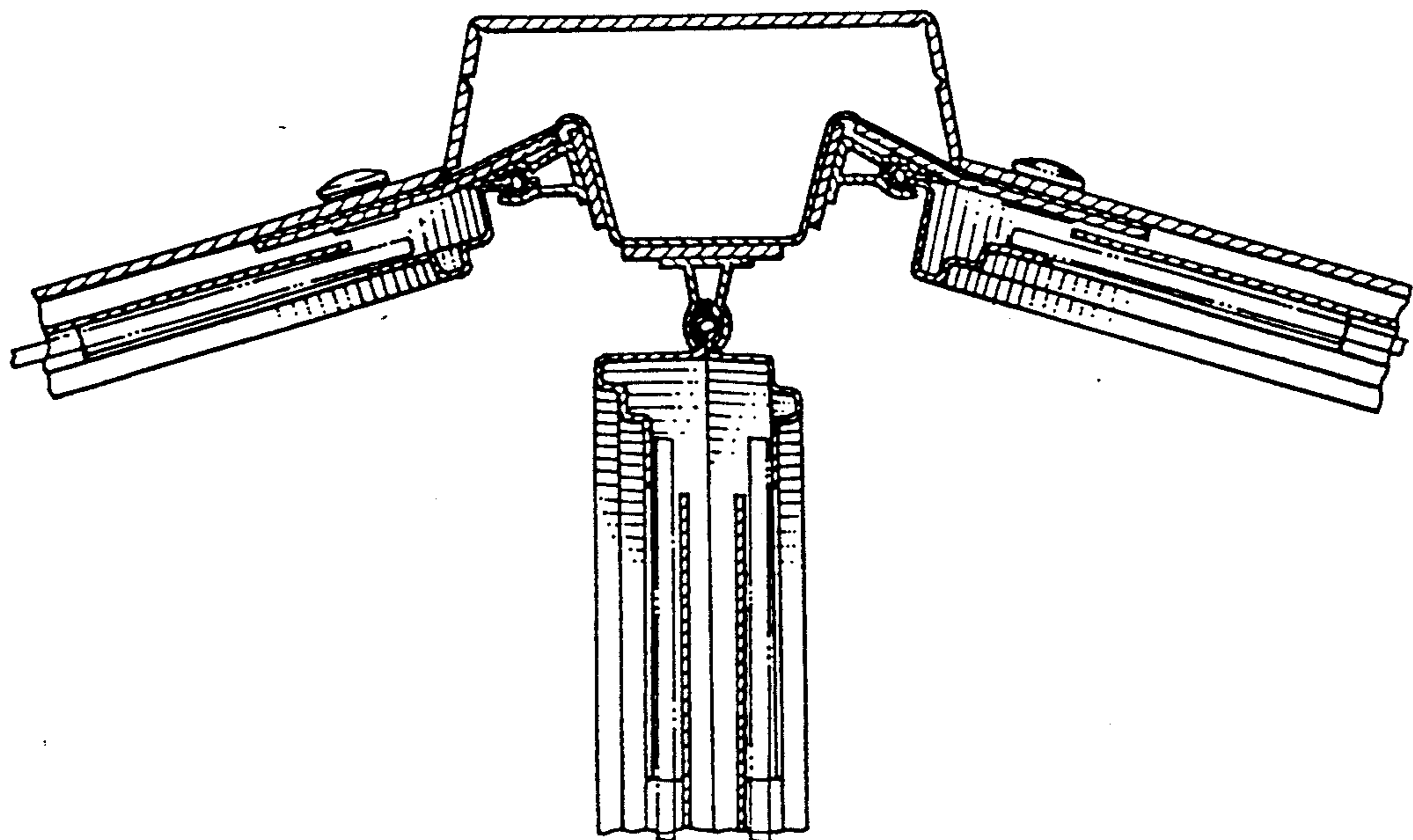


FIG. 17

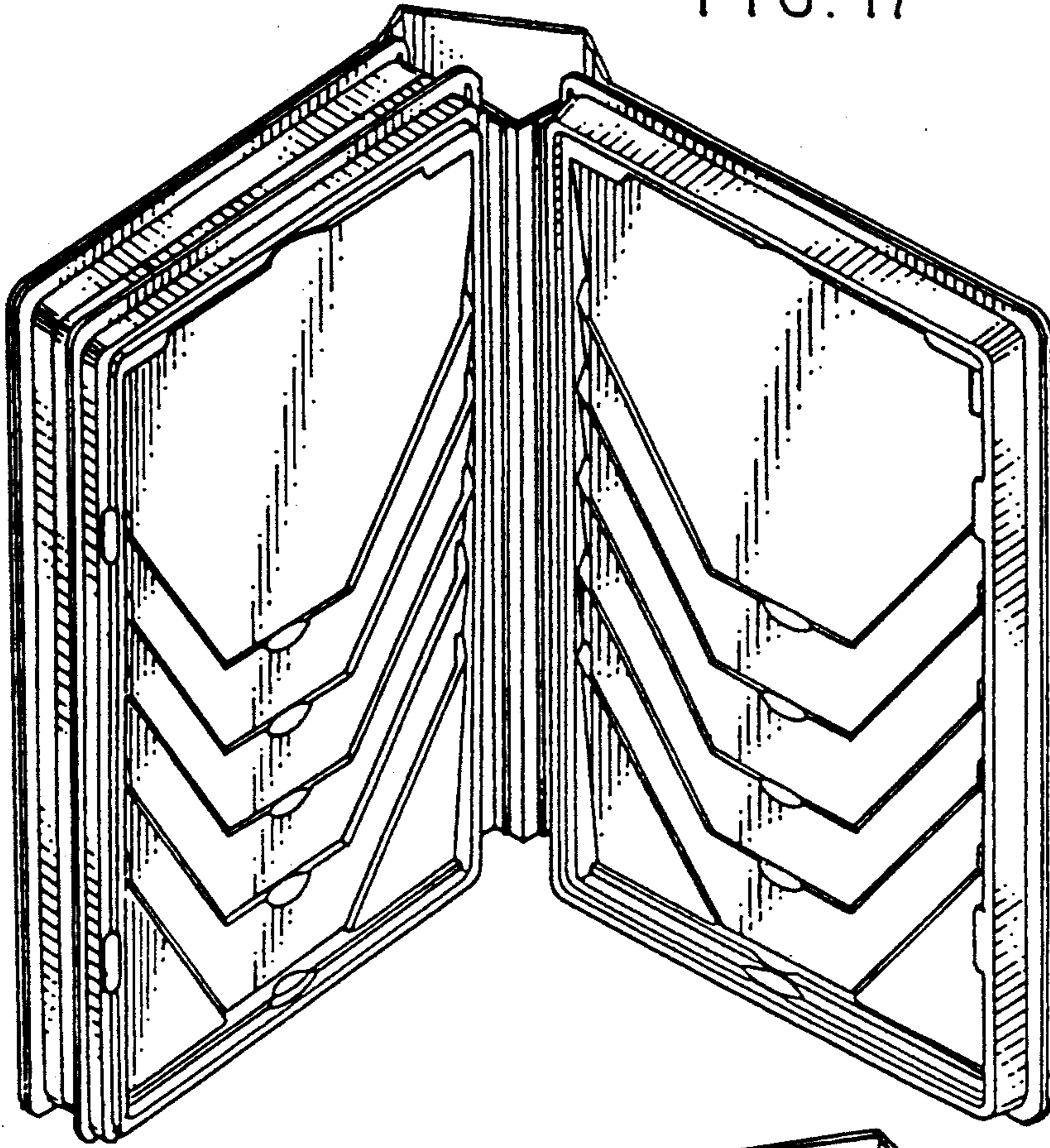


FIG. 18

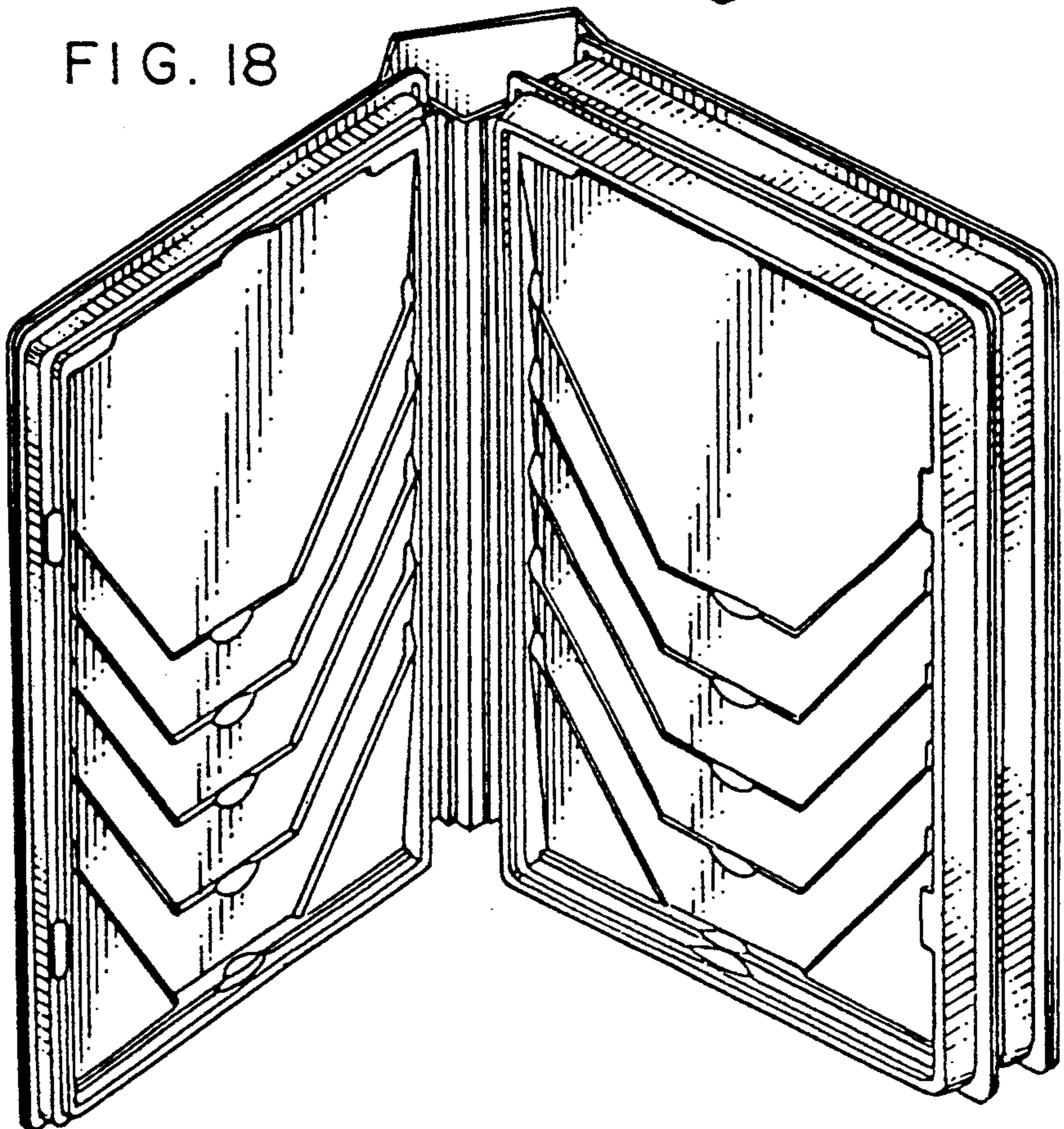


FIG. 19

