



US00D347320S

United States Patent [19]

Du Corday

[11] Patent Number: **Des. 347,320**

[45] Date of Patent: **** May 31, 1994**

- [54] **PLASTIC SINGLE COMPACT DISC CASE**
- [76] Inventor: **Gerard M. Du Corday**, 10871
Thorley Rd., Santa Ana, Calif. 92705
- [**] Term: **14 Years**
- [21] Appl. No.: **728,946**
- [22] Filed: **Jul. 11, 1991**
- [52] U.S. Cl. **D6/634**
- [58] Field of Search **D3/30.1, 35, 73;**
206/387, 310, 411, 408, 455, 444, 316.1

4,709,813	12/1987	Wildt	206/310
4,793,479	12/1988	Otsuka et al.	206/310
4,819,799	4/1989	Nomula et al.	206/444
5,101,971	4/1992	Grobecker	206/310

FOREIGN PATENT DOCUMENTS

0420350	4/1991	European Pat. Off.	206/310
0037387	2/1989	Japan	206/444
2113658	8/1983	United Kingdom	206/316.1

Primary Examiner—A. Hugo Word

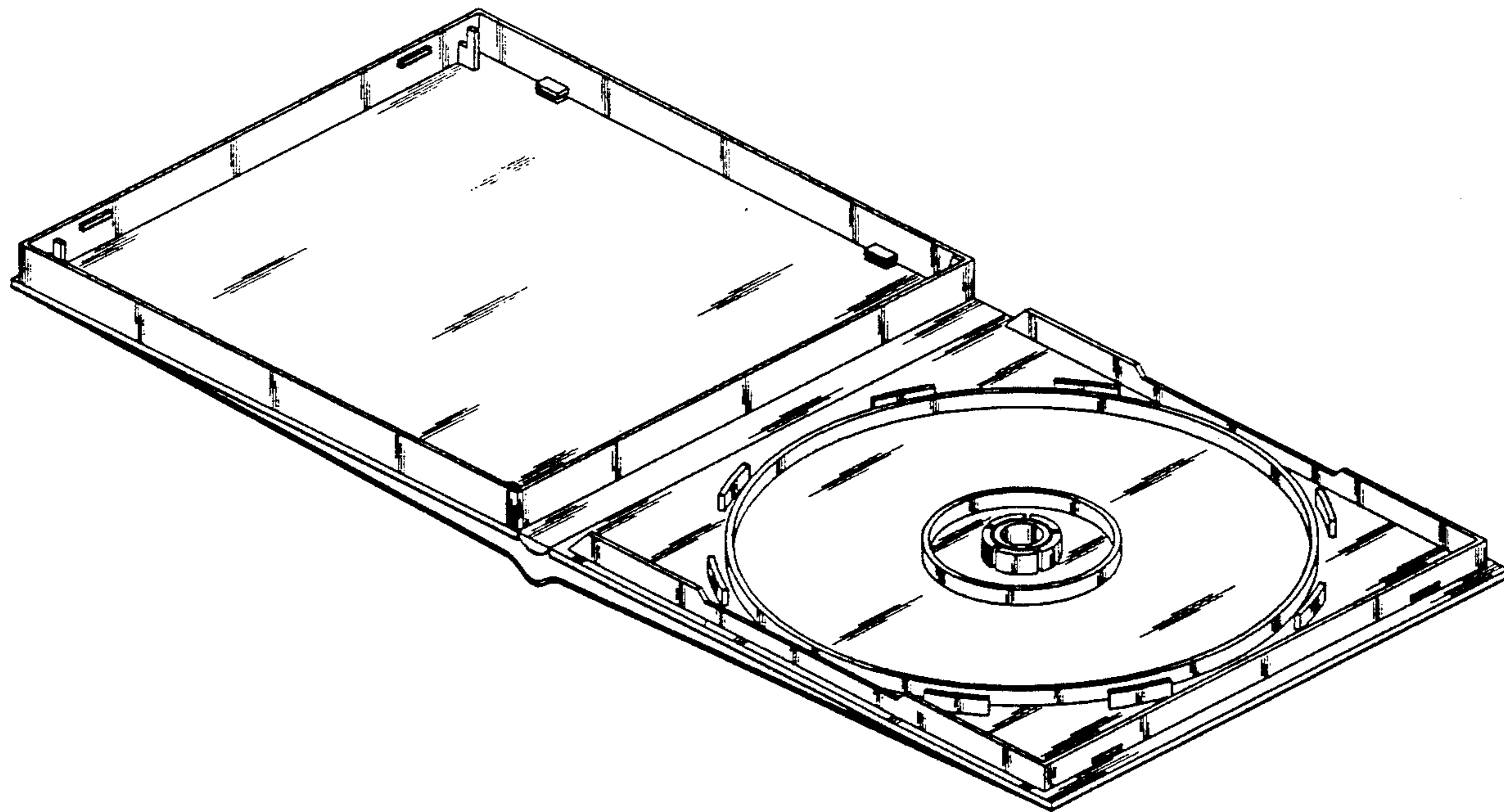
[57] CLAIM

The ornamental design for a plastic single compact disc case, as shown and described.

DESCRIPTION

FIG. 1 is a perspective view of a plastic single compact disc case showing my new design;
 FIG. 2 is a perspective view thereof, shown in an open position;
 FIG. 3 is a front elevational view of FIG. 2;
 FIG. 4 is a bottom plan view of FIG. 2, the top being a mirror image;
 FIG. 5 is a rear elevational view of FIG. 1;
 FIG. 6 is a front elevational view of FIG. 1;
 FIG. 7 is a right side elevational view of FIG. 1;
 FIG. 8 is a left side elevational view of FIG. 1; and,
 FIG. 9 is a bottom plan view of FIG. 1, the top being a mirror image.

- [56] **References Cited**
- U.S. PATENT DOCUMENTS**
- D. 233,374 10/1974 Heeren D3/35
- D. 260,122 8/1981 Turner D3/35
- D. 277,999 3/1985 Weiner D3/35
- D. 285,503 9/1986 Weiner D3/35
- D. 293,507 1/1988 Ogusu D3/35
- D. 304,880 12/1989 Philosophe D3/35
- D. 318,368 7/1991 Evans D3/35
- 3,109,539 11/1963 Turoff 206/310
- 3,503,141 3/1970 Schwartz D3/35
- 3,902,598 9/1975 Koob et al. 206/387
- 3,949,872 4/1976 Paudras 206/310
- 4,049,120 9/1977 Bower D3/35
- 4,101,030 7/1978 Kroeber 206/387
- 4,593,814 6/1986 Hagiware 206/387



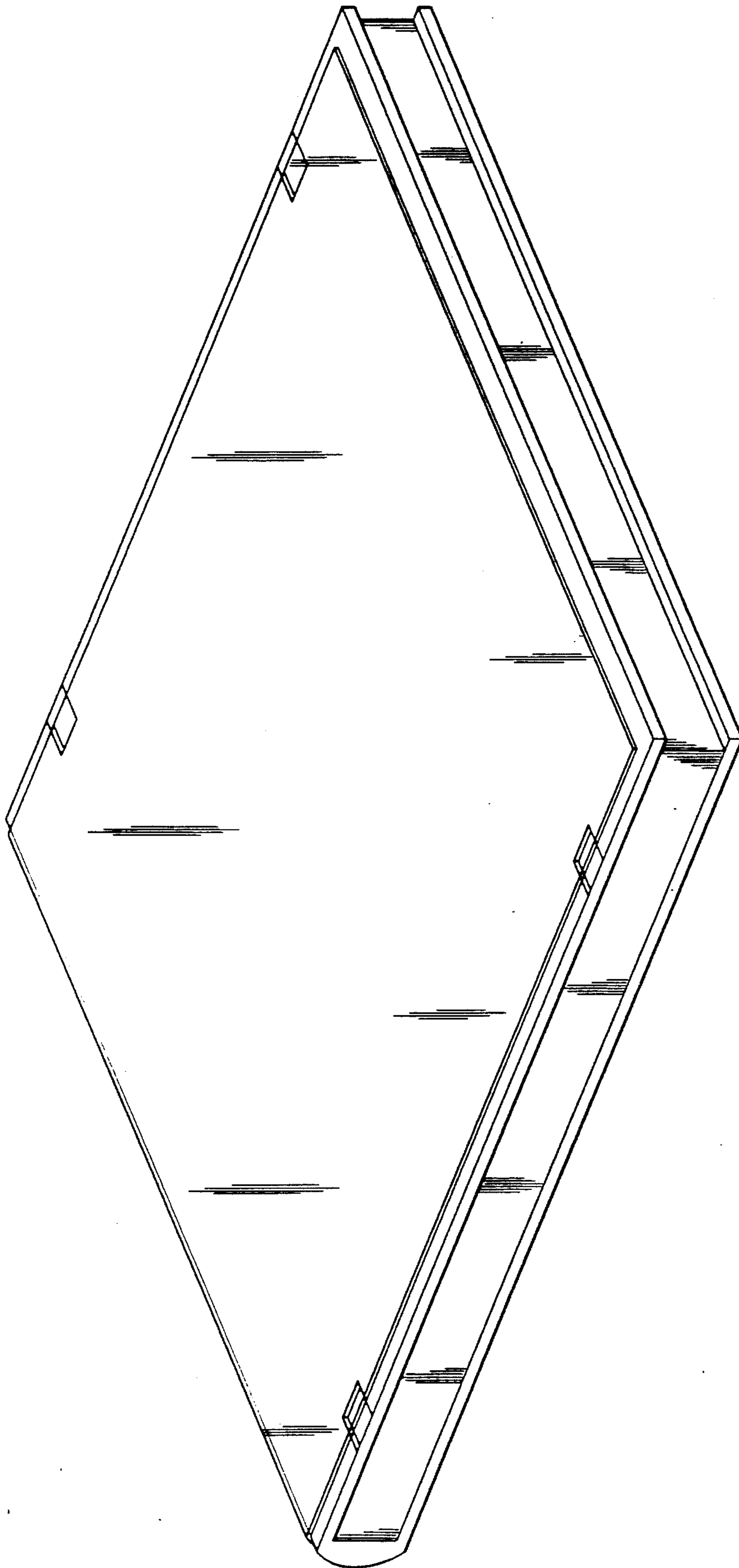


FIG 1

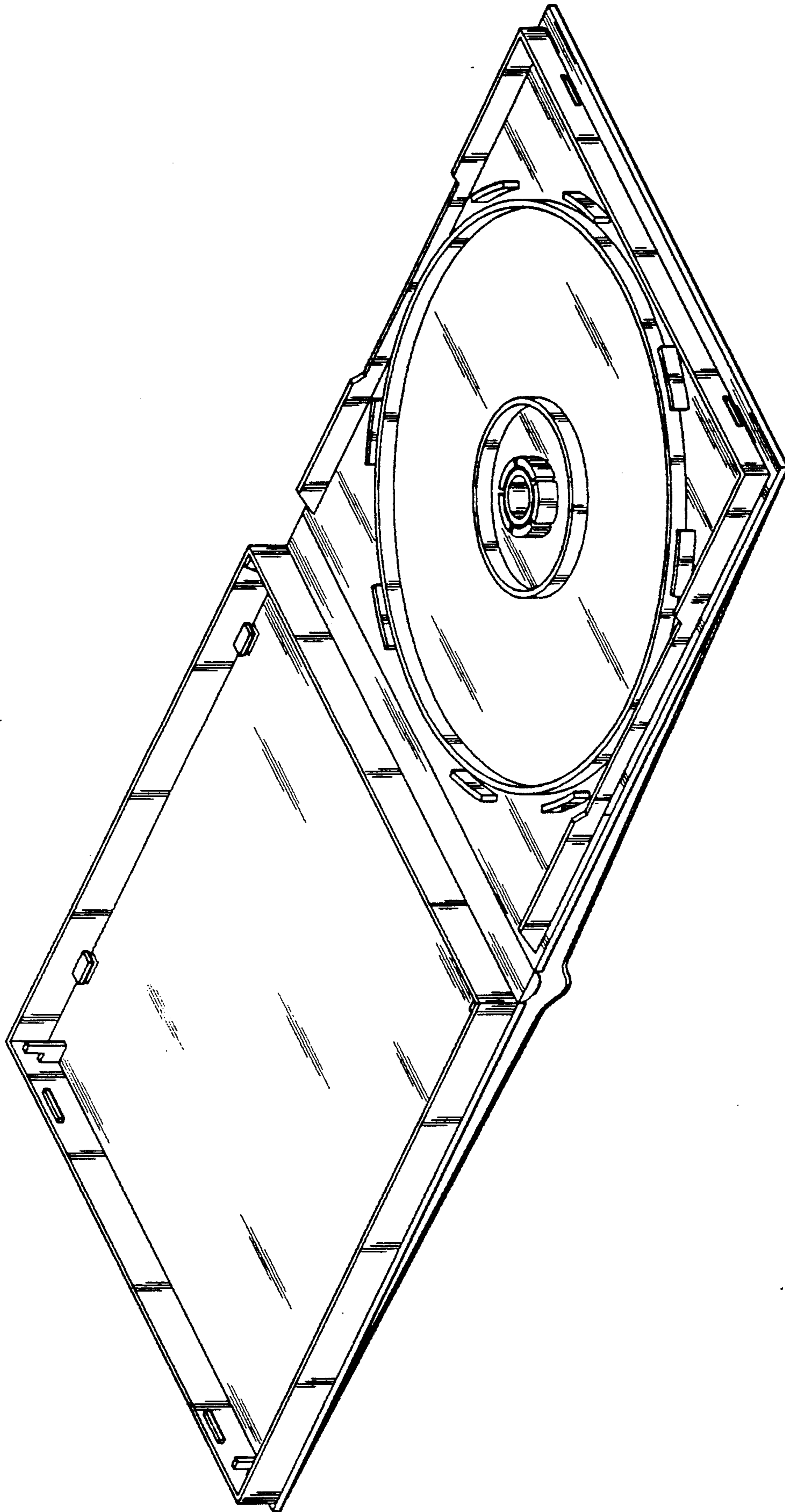


FIG 2

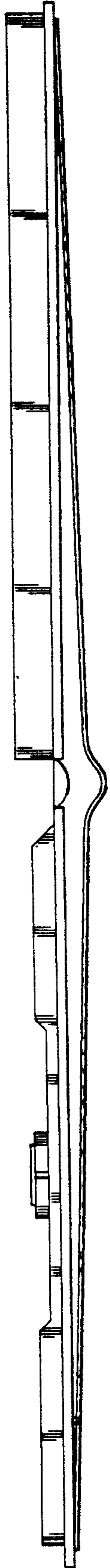


FIG 4

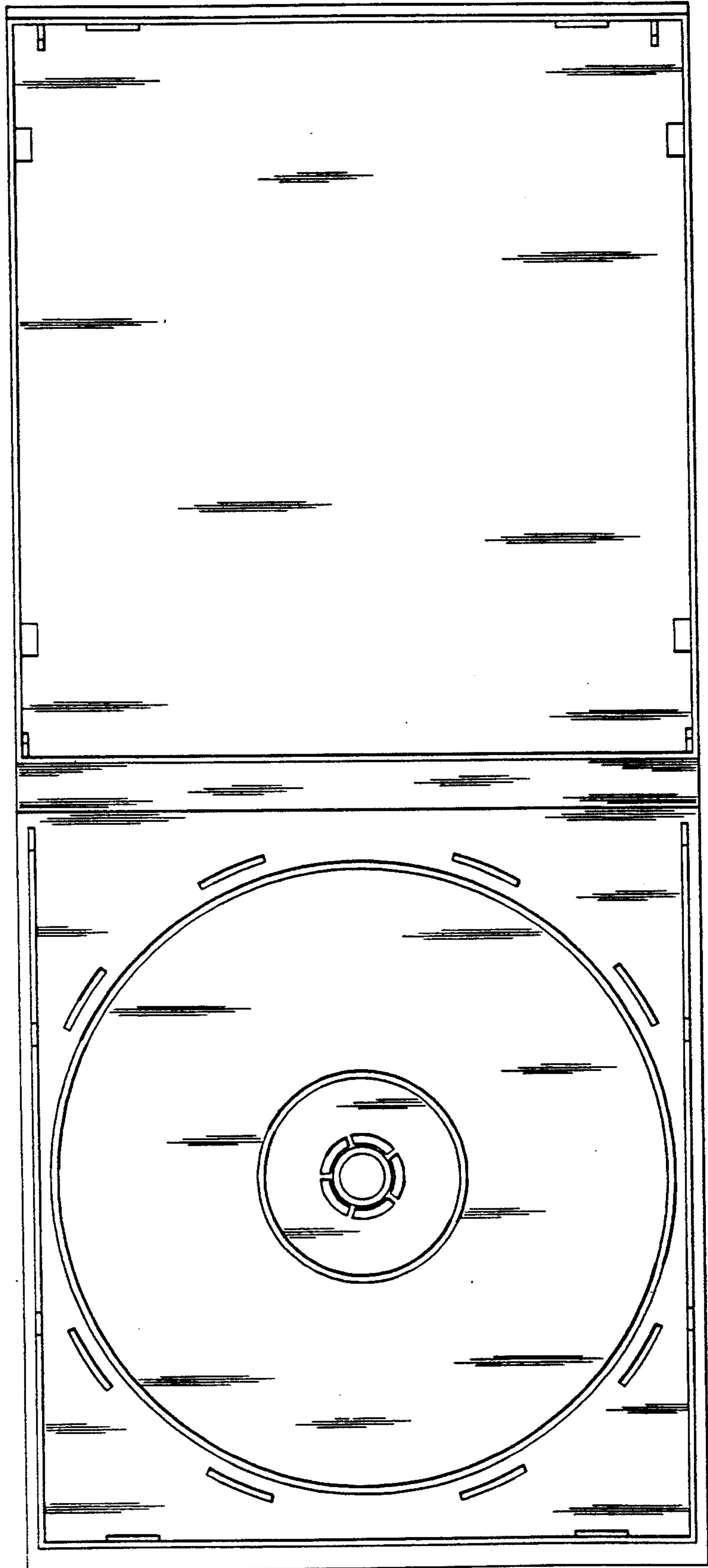


FIG 3

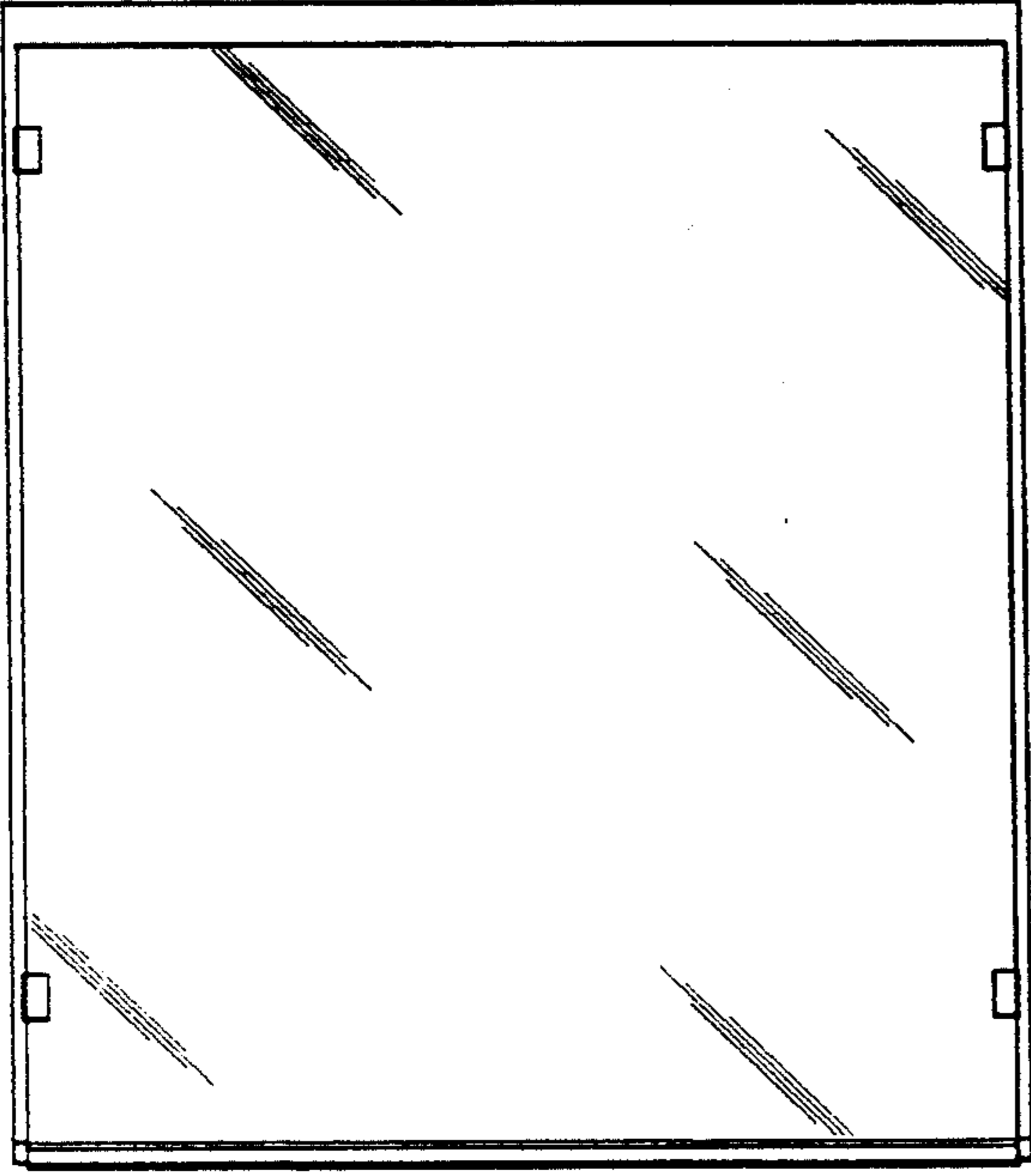


FIG 6



FIG 8

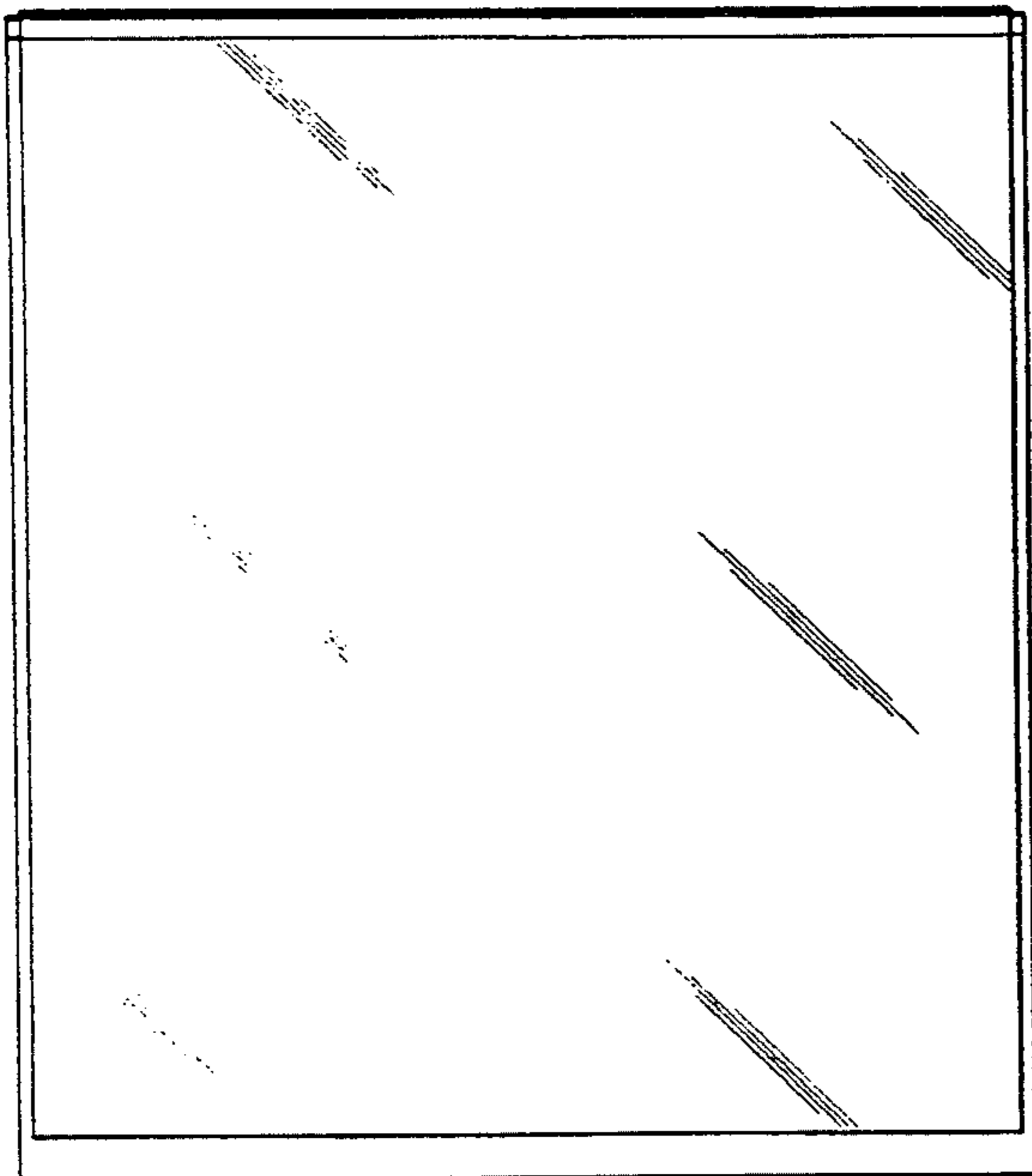


FIG 5



FIG 7



FIG 9