



US00D347318S

United States Patent [19]

[11] Patent Number: **Des. 347,318**

Avar

[45] Date of Patent: **** May 31, 1994**

- [54] **MIDSOLE OF A SHOE**
- [75] Inventor: **Eric P. Avar**, Beaverton, Oreg.
- [73] Assignee: **Nike Inc.**, Beaverton, Oreg.
- [**] Term: **14 Years**
- [21] Appl. No.: **2,408**
- [22] Filed: **Dec. 11, 1992**
- [52] U.S. Cl. **D2/977; D2/947**
- [58] Field of Search **D2/896, 902, 947, 969, D2/977; 36/25 R, 30 R, 32 R, 45, 83, 84, 89, 100-107, 112-114, 132, 136**

- Fall 1989 Nike Catalog published Dec. 1988, pp. 62, 34, 28.
- Fall 1988 Nike Catalog published Dec. 1987, pp. 26, 10, 4.
- Spring 1993 Nike Catalog, published Jun. 1992, pp. 102, 80.
- Fall 1990 Nike Catalog, published Dec. 1989, pp. 44, 32, 26.
- Spring 1989 Nike Catalog, published Jun. 1988, p. 50.

Primary Examiner—Louis S. Zarfaz
Attorney, Agent, or Firm—Banner, Birch, McKie & Beckett

[56] **References Cited**

U.S. PATENT DOCUMENTS

D. 265,019	6/1982	Vermonet .	
D. 297,885	10/1988	Tong .	
D. 302,349	7/1989	Brown et al. .	
D. 307,212	4/1990	Aveni .	
D. 311,810	11/1990	Hatfield .	
D. 311,989	11/1990	Parker et al. .	
D. 312,918	12/1990	AVeni .	
D. 313,113	12/1990	Aveni .	
D. 316,324	4/1991	Rogers .	
D. 316,626	5/1991	Hatfield .	
D. 317,828	6/1991	Rogers .	
D. 319,337	8/1991	Hatfield .	
D. 319,725	9/1991	Claveria .	
D. 320,108	9/1991	Hatfield et al. .	
D. 321,973	12/1991	Hatfield .	
D. 323,423	1/1992	Rogers	D2/320
D. 323,735	2/1992	Aveni	D2/977
D. 324,131	2/1992	Lucas	D2/977
D. 324,762	3/1992	Hatfield	D2/977

OTHER PUBLICATIONS

- Nike Catalogs; Fall 1992, published Dec. 1991, pp. 104, 88, 26.
- Spring 1992 Nike Catalog published May 1991, pp. 76, 54, 46, 32; Spring 1991 Nike Catalog published Jun. 1990, pp. 10, 70, 58, 38, 32.
- Spring 1990 Nike Catalog published Jun. 1989, pp. 74, 58, 42, 28.

[57] **CLAIM**

The ornamental design for the midsole of a shoe, as shown and described.

DESCRIPTION

FIG. 1 is a side elevational view of one side of a midsole of a shoe showing my new design;
 FIG. 2 is a side elevational view of the other side of the shoe midsole as shown in FIG. 1;
 FIG. 3 is a front elevational view of the shoe midsole as shown in FIG. 1;
 FIG. 4 is a rear elevational view of the shoe midsole as shown in FIG. 1;
 FIG. 5 is a cross-sectional view taken through line 5—5 of FIG. 1;
 FIG. 6 is a cross-sectional view taken through line 6—6 of FIG. 1;
 FIG. 7 is a cross section taken through line 7—7 of FIG. 1;
 FIG. 8 is a cross section taken through line 8—8 of FIG. 1;
 FIG. 9 is a cross section taken through line 9—9 of FIG. 1;
 FIG. 10 is a cross section taken through line 10—10 of FIG. 2; and,
 FIG. 11 is a cross section taken through line 11—11 of FIG. 2.
 The broken lines showing the shoe upper and sole in FIGS. 1-4 are for illustrative purposes and form no part of the claimed design.

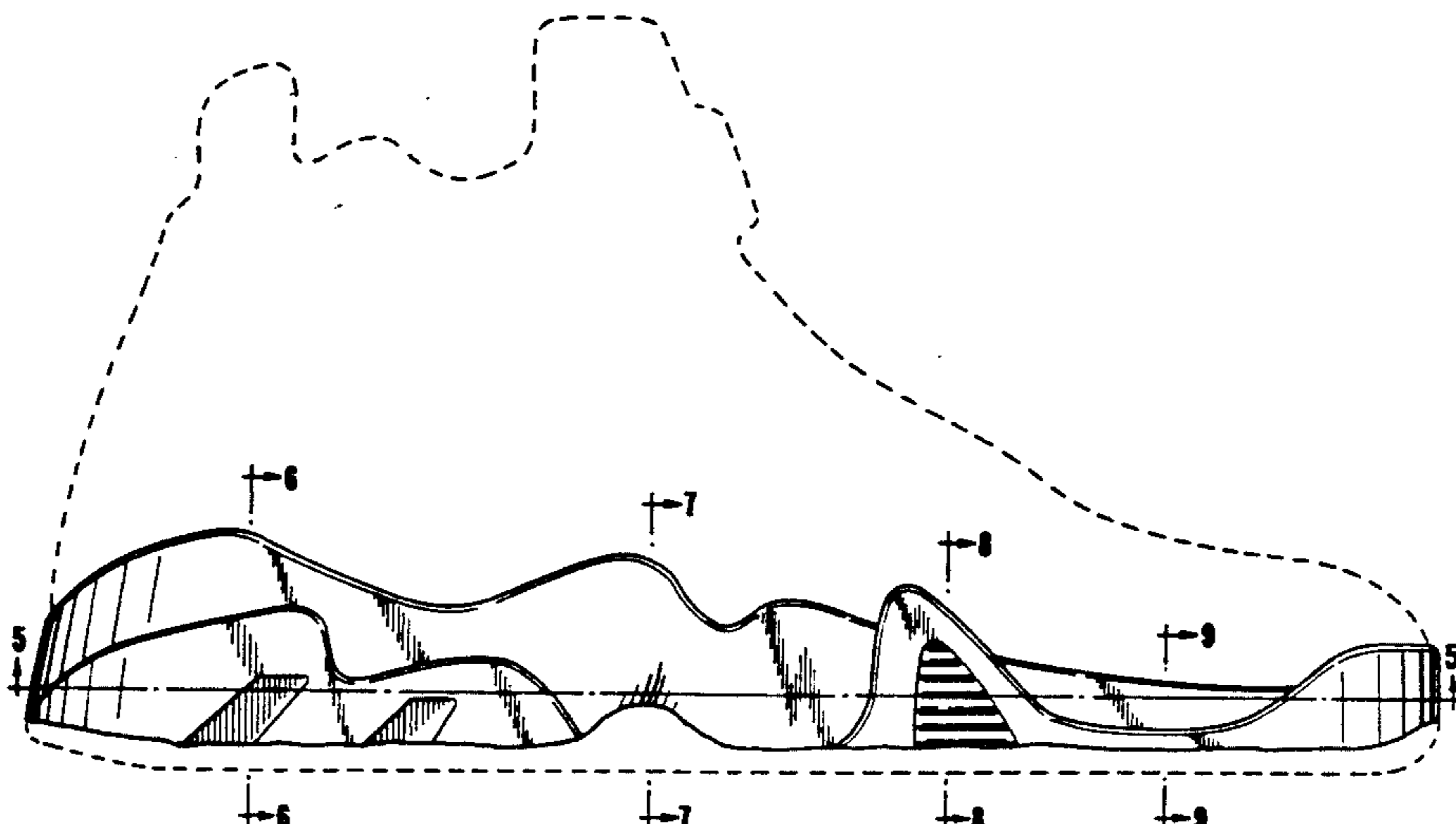


FIG. 1

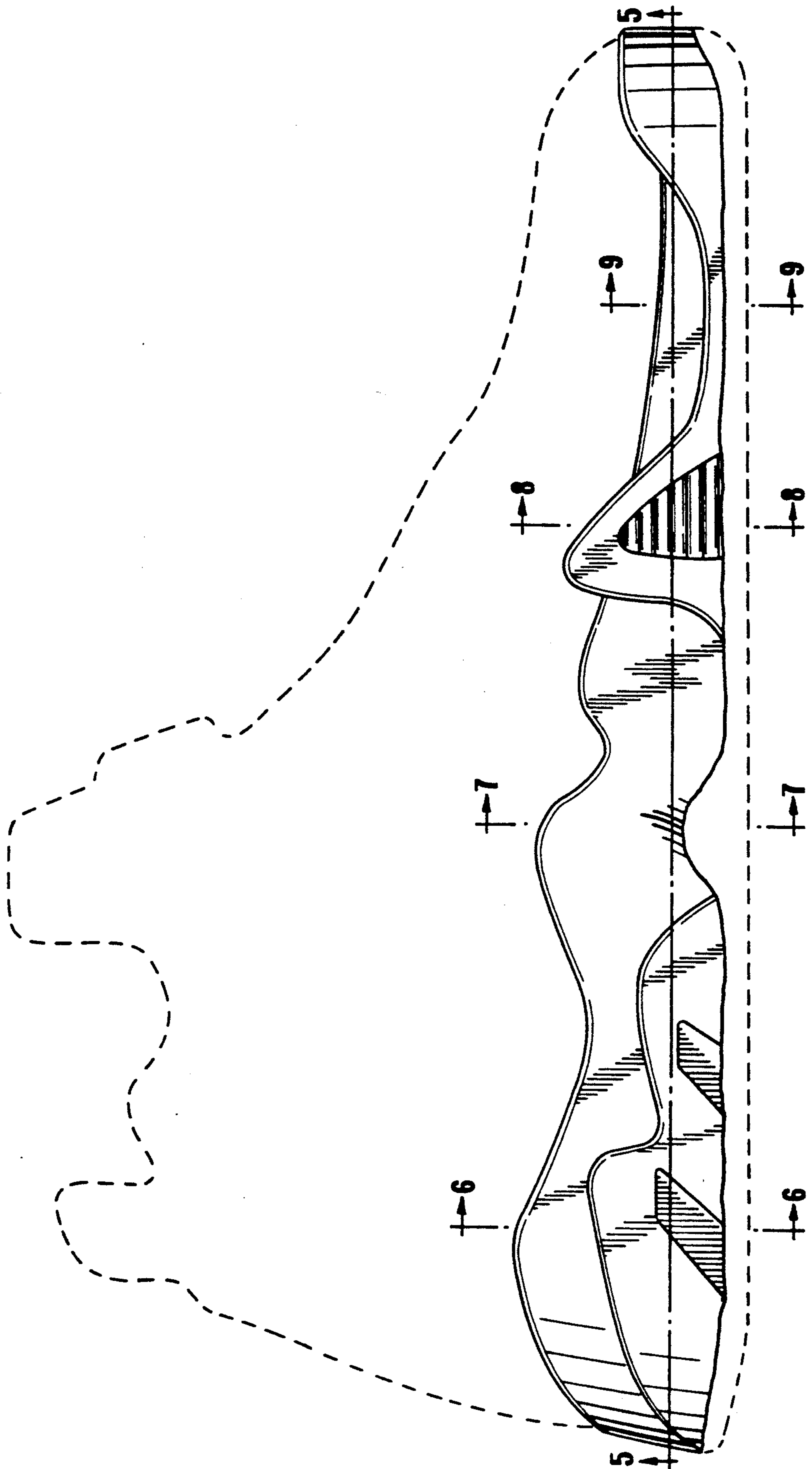


FIG. 2

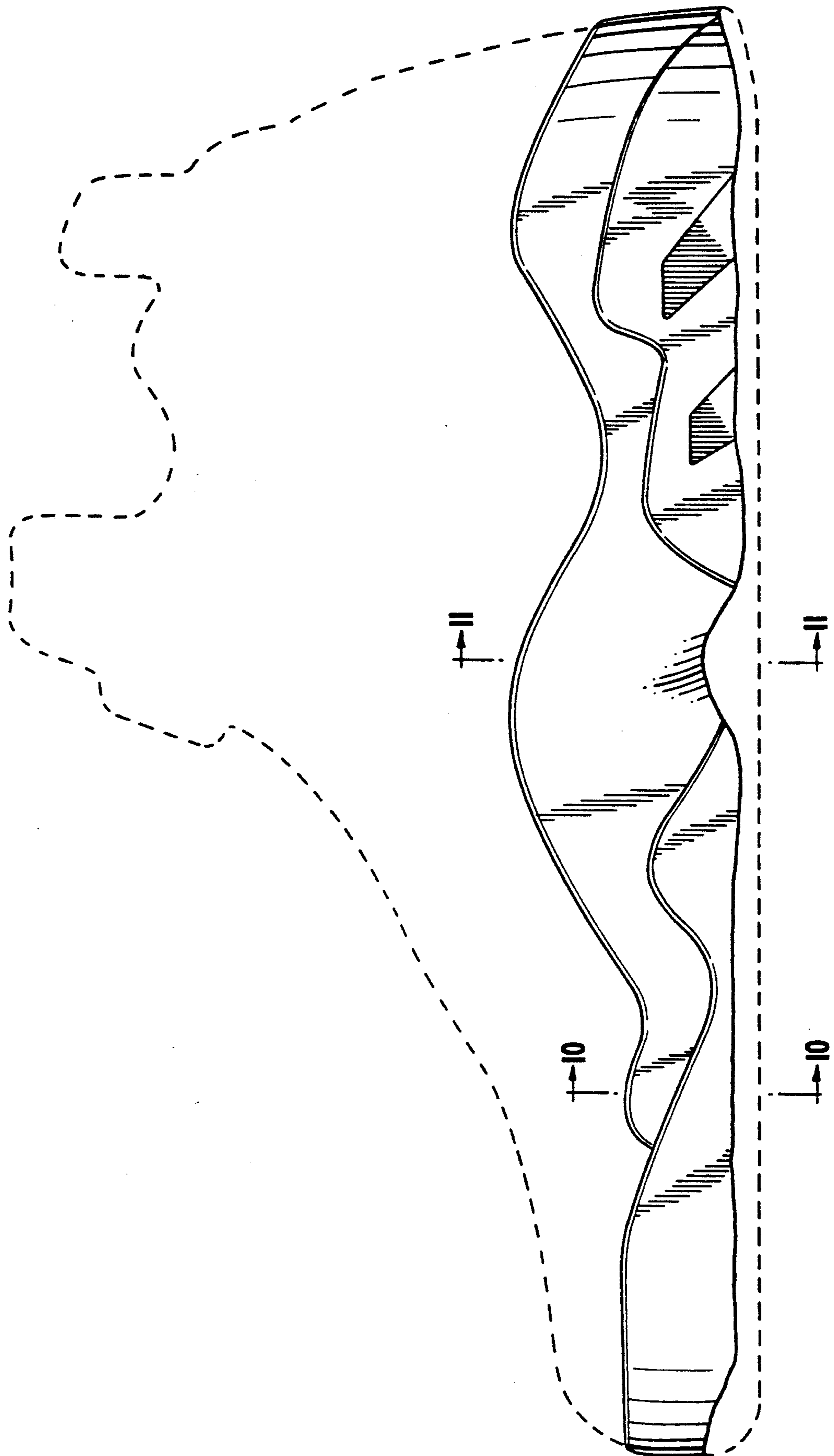


FIG. 4

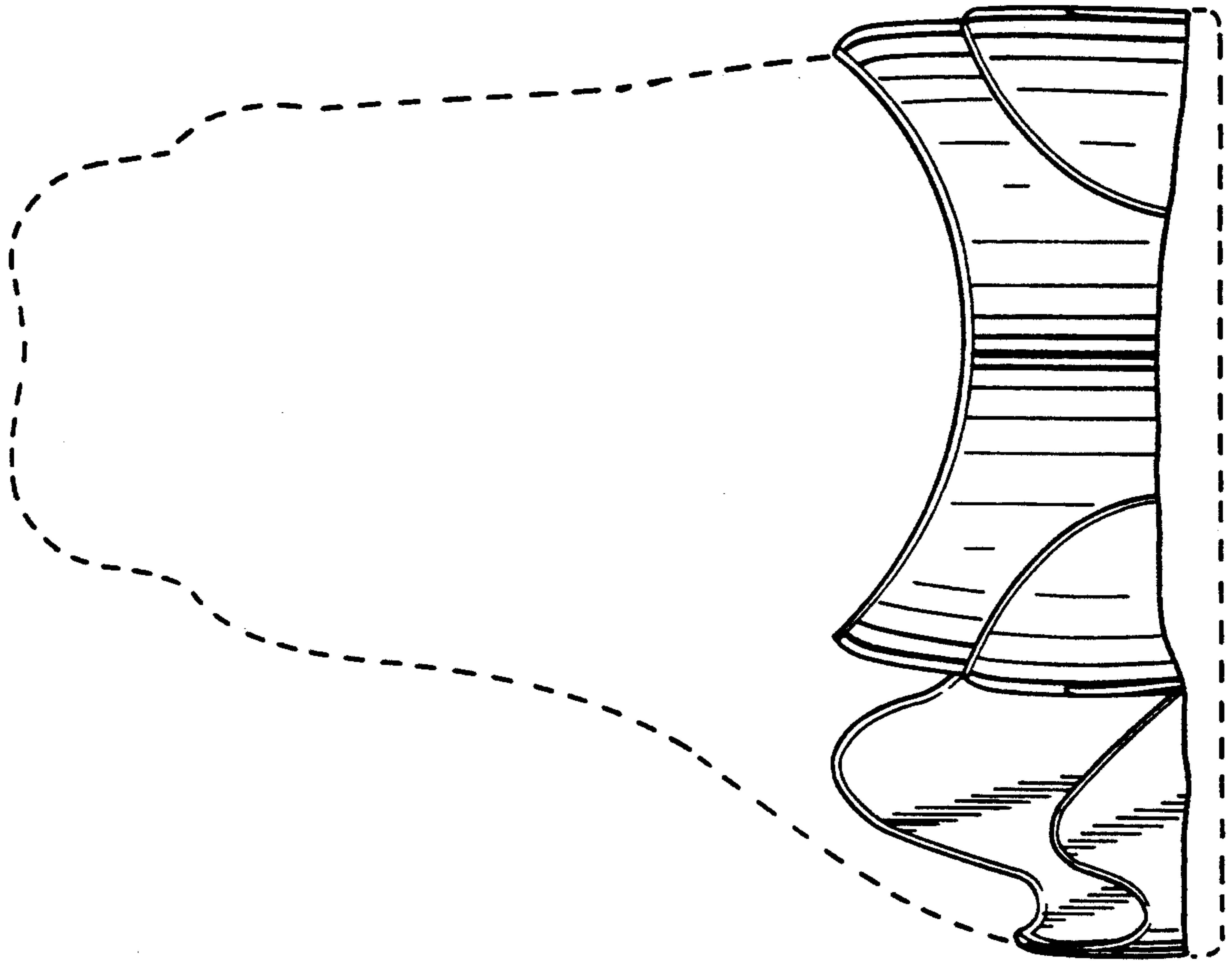
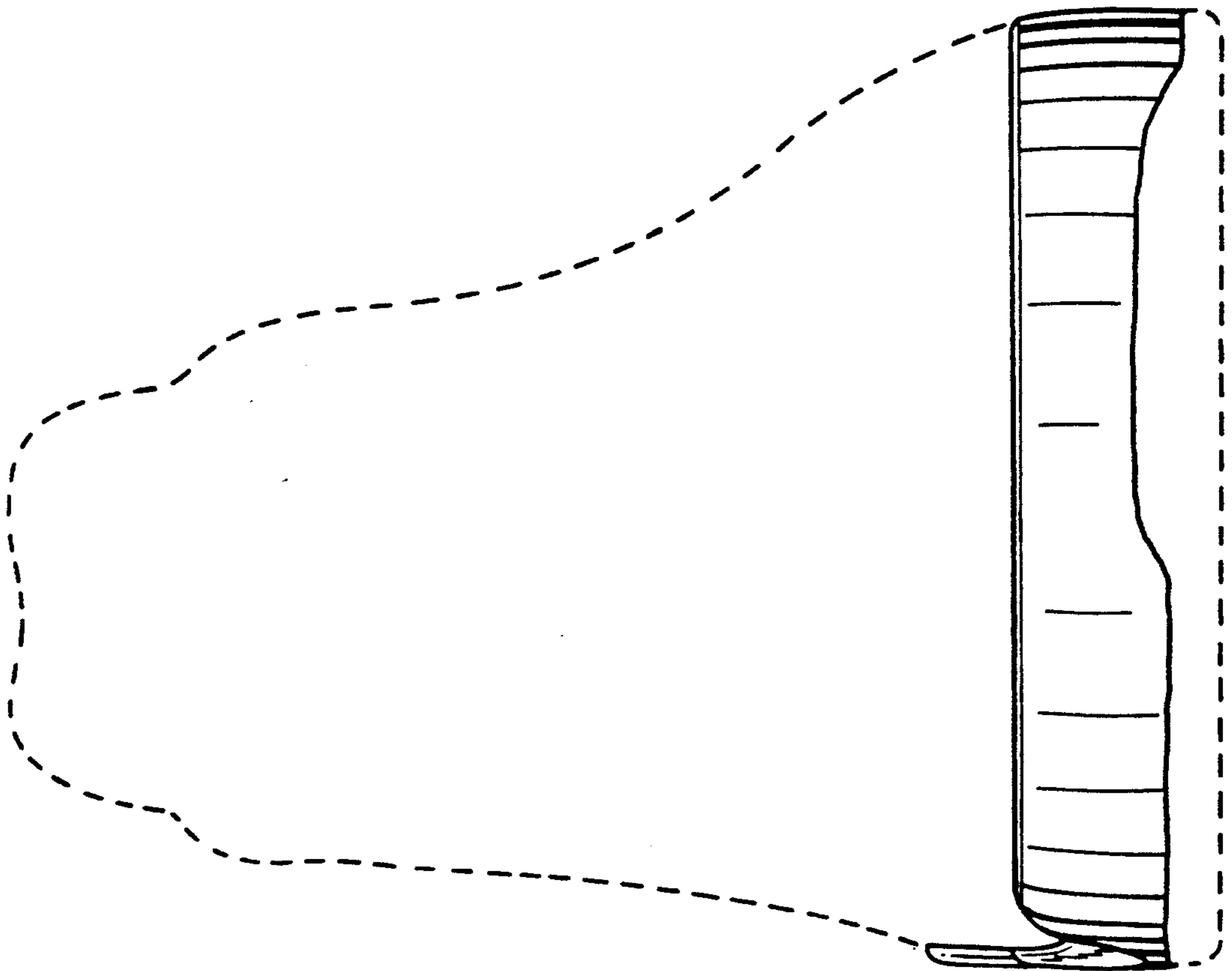


FIG. 3



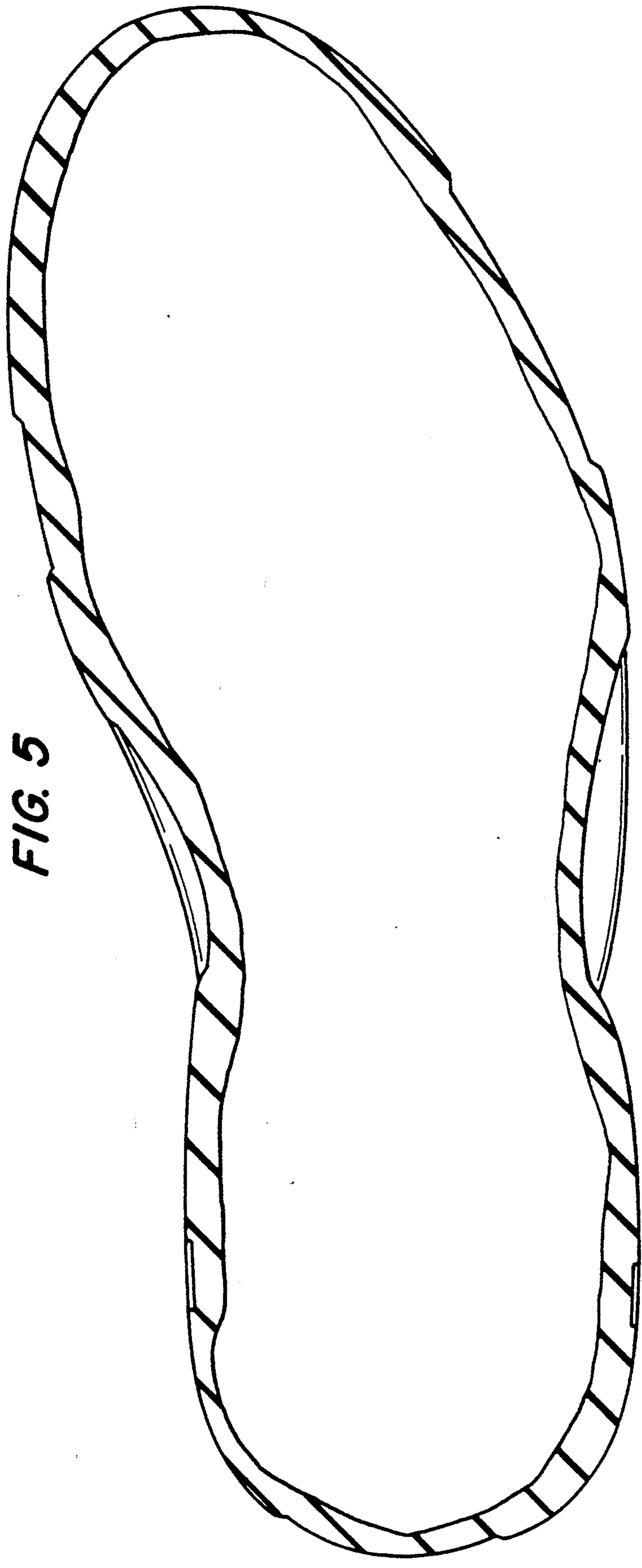


FIG. 5

FIG. 6



FIG. 7



FIG. 8



FIG. 9



FIG. 10



FIG. 11

