



US00D347309S

United States Patent [19]

[11] Patent Number: Des. 347,309

McDonald

[45] Date of Patent: ** May 31, 1994

[54] SHOE UPPER

[75] Inventor: Steven C. McDonald, Portland, Oreg.

[73] Assignee: Nike, Inc., Beaverton, Oreg.

[**] Term: 14 Years

[21] Appl. No.: 9,042

[22] Filed: Jun. 4, 1993

[52] U.S. Cl. D2/969; D2/916

[58] Field of Search D2/264, 265, 270, 283, D2/293, 296, 314; 36/11.5, 50.1, 33, 101, 114, 132, 136

4,314,412	2/1982	Anderson et al.	36/11.5 X
4,446,633	5/1984	Scheinhaus et al.	36/11.5
4,566,207	1/1986	Struntz	36/50.1
4,677,767	7/1987	Darby	36/102
4,679,334	7/1987	McBride	36/11.5 X
4,686,781	8/1987	Bury	36/11.5 X
4,775,345	10/1988	Gifford	36/114 X
4,793,075	12/1988	Thatcher	36/11.5
4,845,864	7/1989	Corliss	36/50.1
4,967,750	11/1990	Cherniak	36/11.5 X
5,056,241	10/1991	Young	36/11.5
5,205,054	4/1993	York, Jr.	36/11.5

OTHER PUBLICATIONS

Nike Fall 1993 Footwear Catalog, pp. 48, 50, published Dec. 1992.

Keds Sandals For 1979 Brochure.

Five Photographs of Prior Art Sandals (date unknown). "Timberland River Sandal" excerpt from *FN Sportstyle Handbook*, date unknown.

"All Terrain" sandal from the TEVA 1992 brochure. The "Aqua Strap" sandal, Nike Fall 1991 Footwear catalog, published Dec. 1990, p. 104.

Primary Examiner—Louis S. Zarfes

Attorney, Agent, or Firm—Banner, Birch, McKie & Beckett

[56]

References Cited

U.S. PATENT DOCUMENTS

D. 82,990	11/1930	Hubbell .	
D. 112,629	12/1938	Zohlman	D2/293
D. 143,697	2/1946	Adams .	
D. 144,080	3/1946	Sobel .	
D. 151,669	11/1948	Lothrop .	
D. 166,436	4/1952	Wolfelt .	
D. 172,251	5/1954	Salmeri	D2/293
D. 224,763	9/1972	Fukuoka	D2/283
D. 254,578	4/1980	Finn	D2/296
D. 255,396	6/1980	Scheinhaus et al.	D2/326
D. 268,710	4/1983	Anderie	D2/290
D. 281,735	12/1985	Seltzer	D2/293
D. 285,022	8/1986	Schorstein	D2/283
D. 296,608	7/1988	Maciel	D2/293
D. 329,527	9/1992	Cohen	D2/265
D. 332,517	1/1993	Middleton	D2/290
D. 335,209	5/1993	Avar	D2/314
D. 336,717	6/1993	Allen, III et al.	D2/314
D. 336,770	6/1993	Allen, III et al.	D2/290 X
D. 338,322	8/1993	Allen, III et al.	D2/293 X
736,194	8/1903	Bassett	36/11.5
1,964,705	6/1934	Pellkofer	36/33 X
2,259,273	10/1941	Smith .	
2,642,677	6/1953	Yates	36/11.5
2,894,338	7/1959	Scholl	36/11.5 X
3,000,116	9/1961	Ally	36/101
3,698,107	10/1972	Fukuoka	36/11.5
4,200,997	5/1980	Scheinhaus et al.	36/11.5
4,275,512	6/1981	Zeligman et al.	36/11.5
4,300,294	11/1981	Riecken	36/11.5 X

[57] CLAIM

The ornamental design for a shoe upper, as shown and described.

DESCRIPTION

FIG. 1 is a side elevational view of one side of a shoe upper showing my new design;

FIG. 2 is a side elevational view of the other side of the shoe upper shown in FIG. 1;

FIG. 3 is a front elevational view of the shoe upper shown in FIG. 1;

FIG. 4 is a rear elevational view of the shoe upper shown in FIG. 1; and,

FIG. 5 is a top plan view of the shoe upper shown in FIG. 1.

The broken line showing of a shoe midsole and outsole is for illustrative purposes and forms no part of the claimed design.

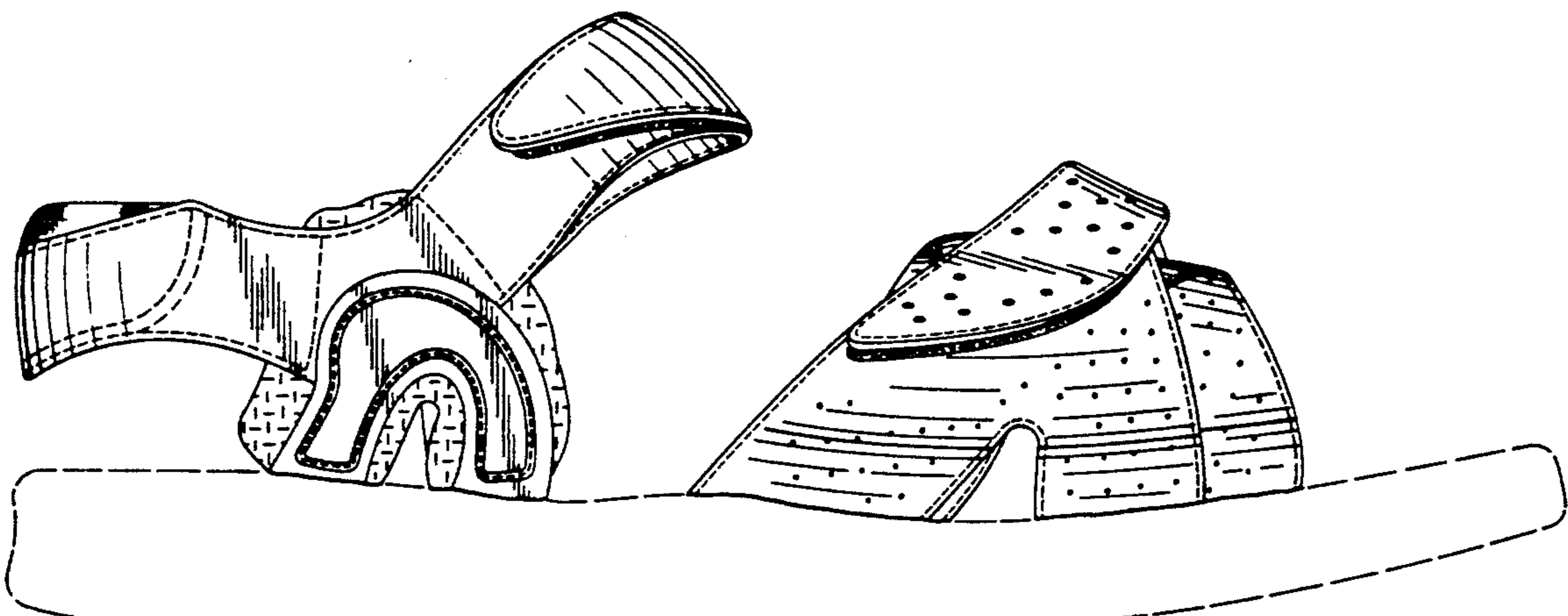
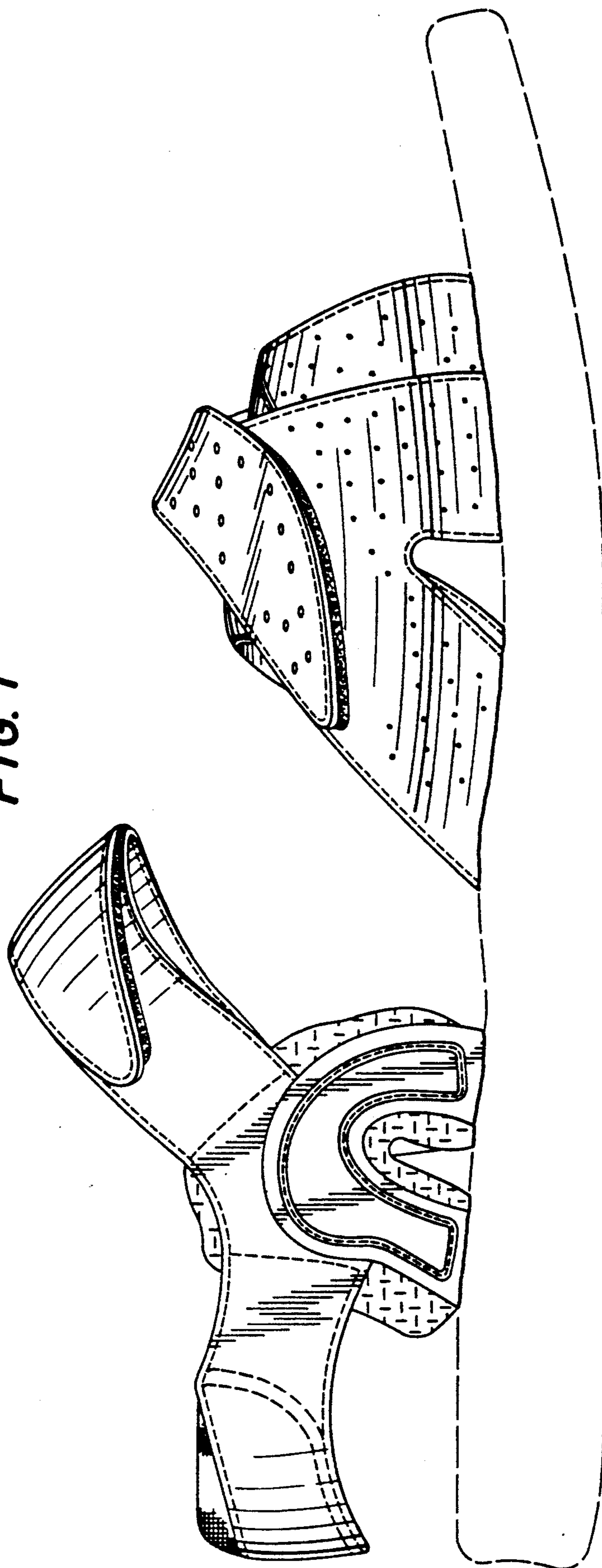


FIG. 1



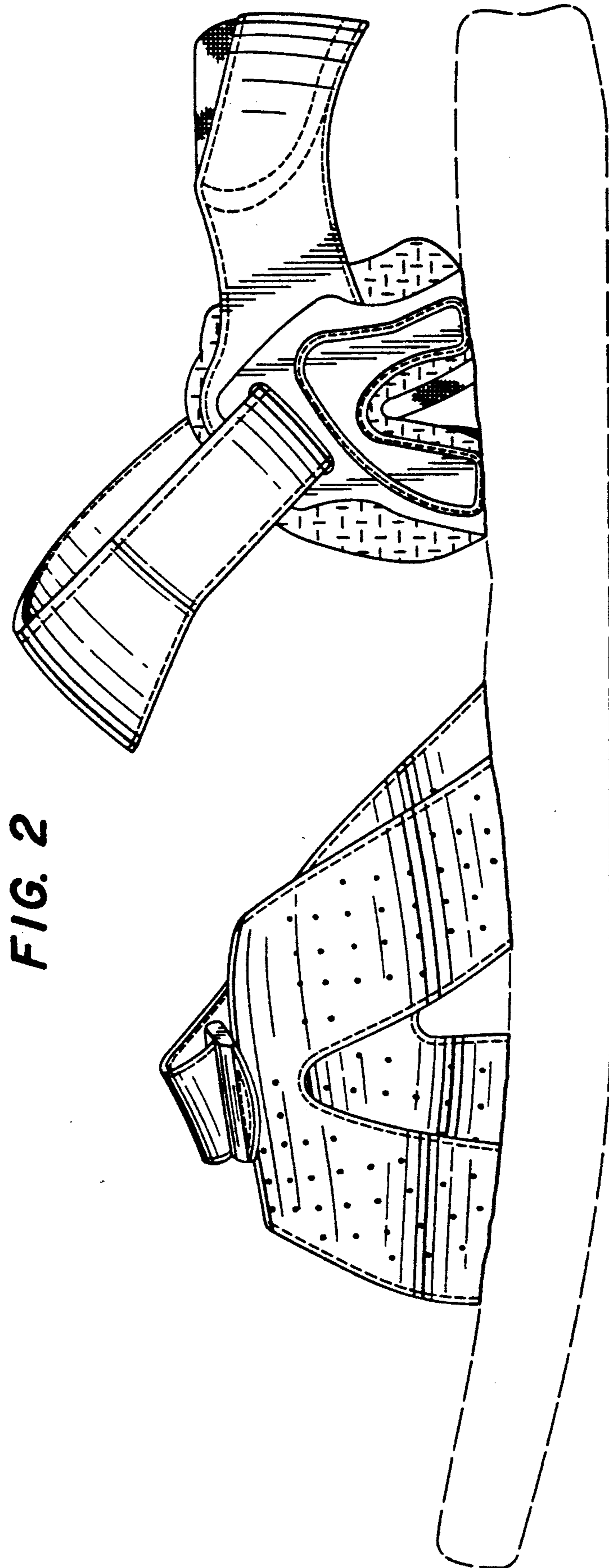


FIG. 2

FIG. 4

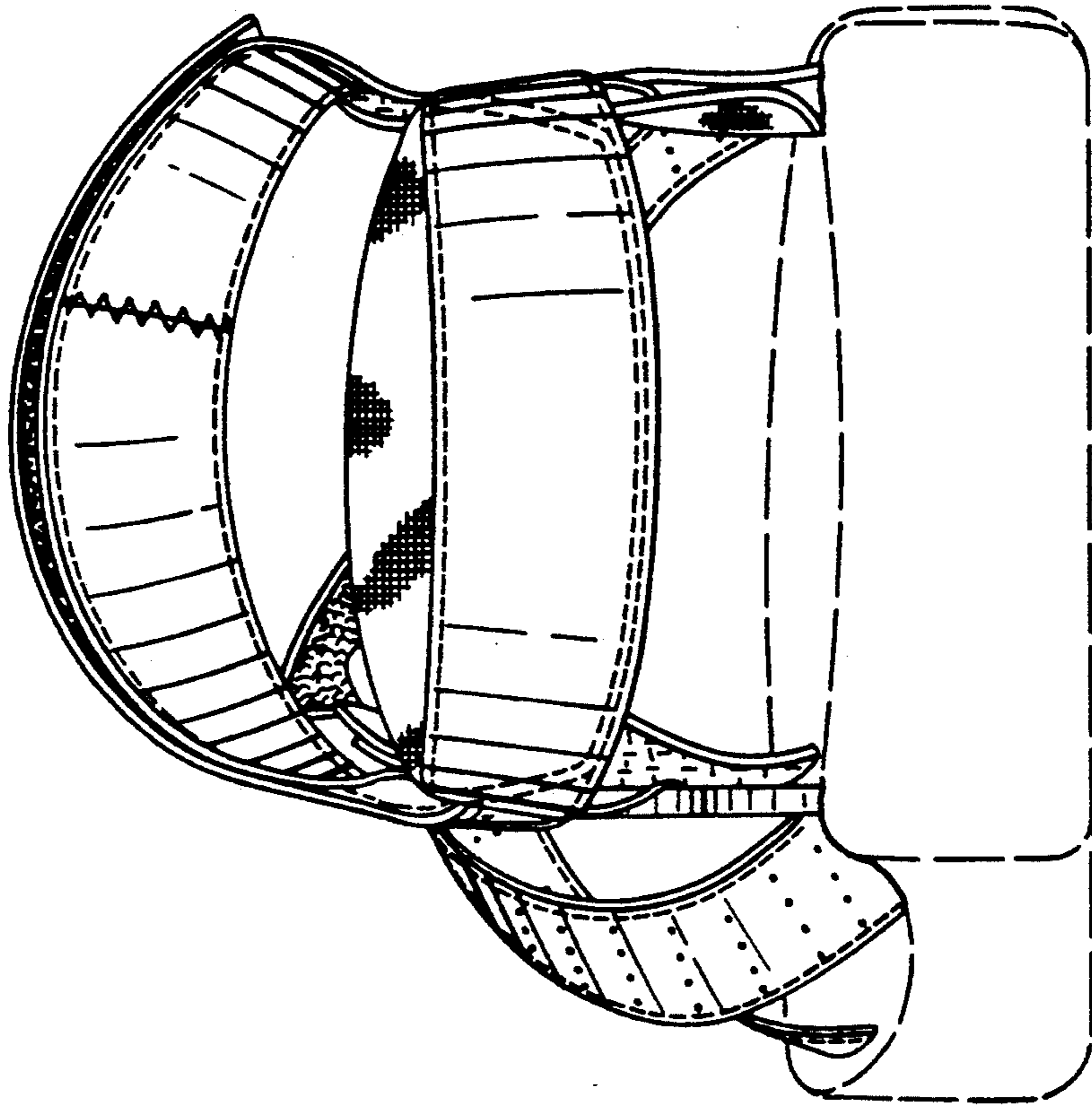


FIG. 3

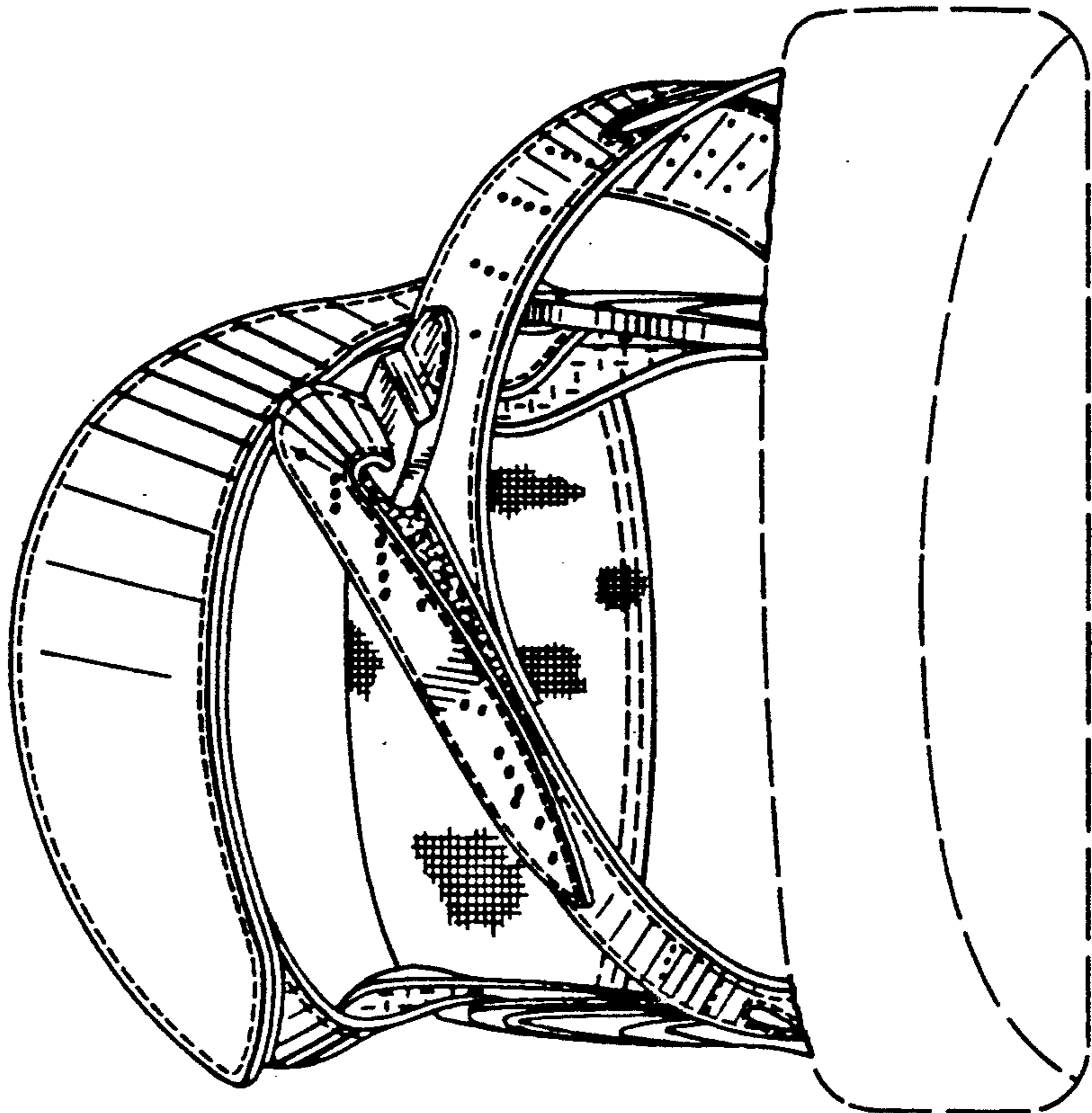


FIG. 5

