



US00D347303S

# United States Patent [19]

Mann

[11] Patent Number: **Des. 347,303**

[45] Date of Patent: **\*\* May 24, 1994**

## [54] COMPARTMENTED ANIMAL FEEDER

[76] Inventor: **Fred W. Mann**, Box 444, Waterville, Kans. 66548

[\*\*] Term: **14 Years**

[21] Appl. No.: **957**

[22] Filed: **Oct. 30, 1992**

[52] U.S. Cl. .... **D30/130**

[58] Field of Search ..... 119/51.5, 61; D30/120, D30/129-133.

## [56] References Cited

### U.S. PATENT DOCUMENTS

D. 201,251	6/1965	Watlington .....	D30/131
D. 295,905	5/1988	Swartzendruber et al. ....	D30/131
D. 326,743	6/1992	Haynes .....	D30/130
1,396,235	11/1921	Renstrom .....	119/51.5
3,205,860	9/1965	Moore .....	119/61
4,303,040	12/1981	Mann .....	119/62
5,224,443	7/1993	Leslie .....	119/61

### FOREIGN PATENT DOCUMENTS

471126	1/1951	Canada .....	119/61
3033974	4/1982	Fed. Rep. of Germany .....	119/61
3639	of 1910	United Kingdom .....	119/61

## OTHER PUBLICATIONS

Popular Mechanics Magazine; Nov. 1939; p. 794; Feeder for Small Livestock.

Tupperware; Dip & Serving Tray; Sep. 13, 1984; #1665-2.

Primary Examiner—Cathy Anne MacCormac

Attorney, Agent, or Firm—Litman, McMahon & Brown

## [57] CLAIM

The ornamental design for a compartmented animal feeder, as shown and described.

## DESCRIPTION

FIG. 1 is a top perspective view of a compartmented animal feeder showing my new design;

FIG. 2 is top plan view thereof;

FIG. 3 is a side elevational view thereof, the other sides being mirror images thereof;

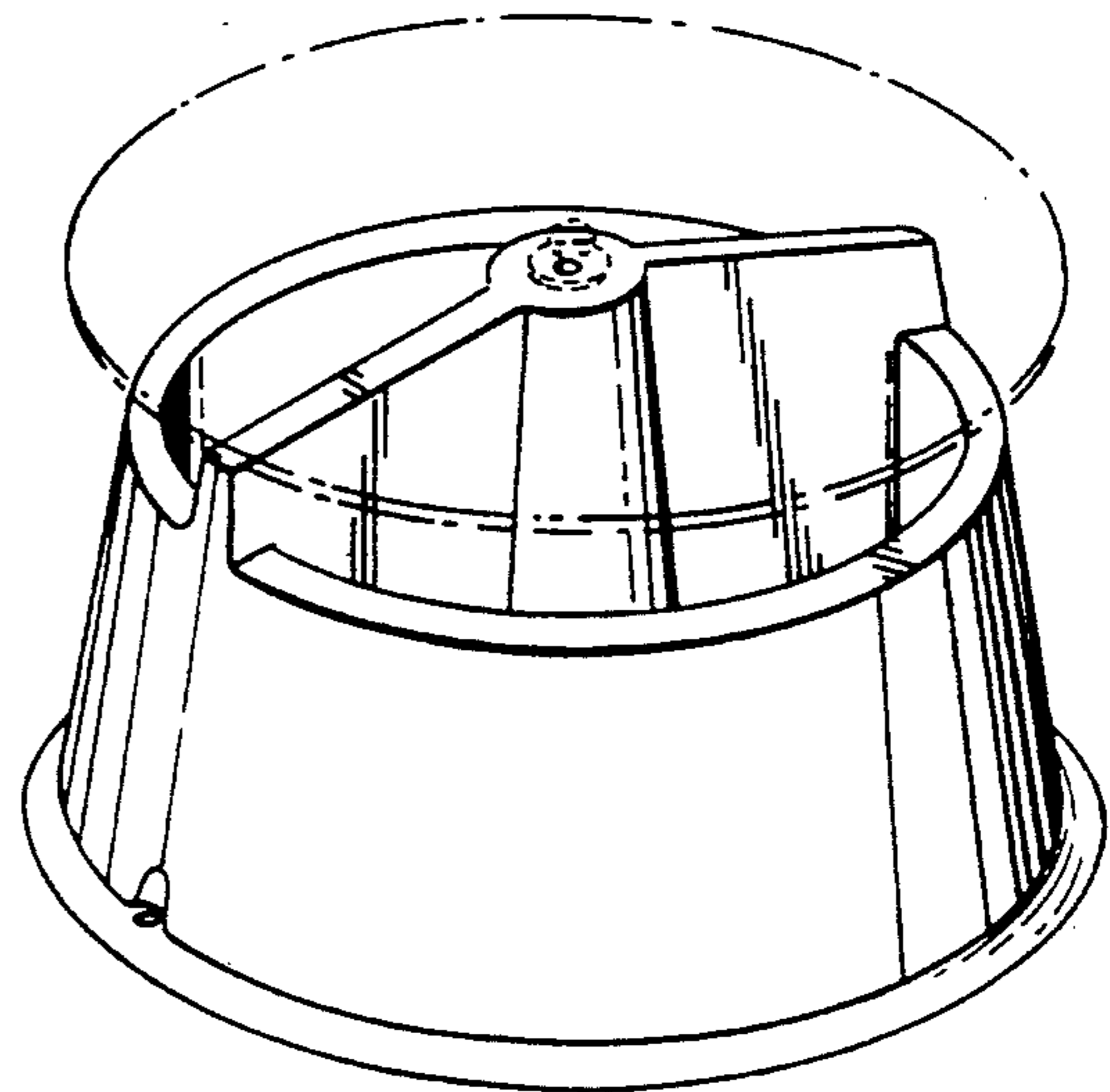
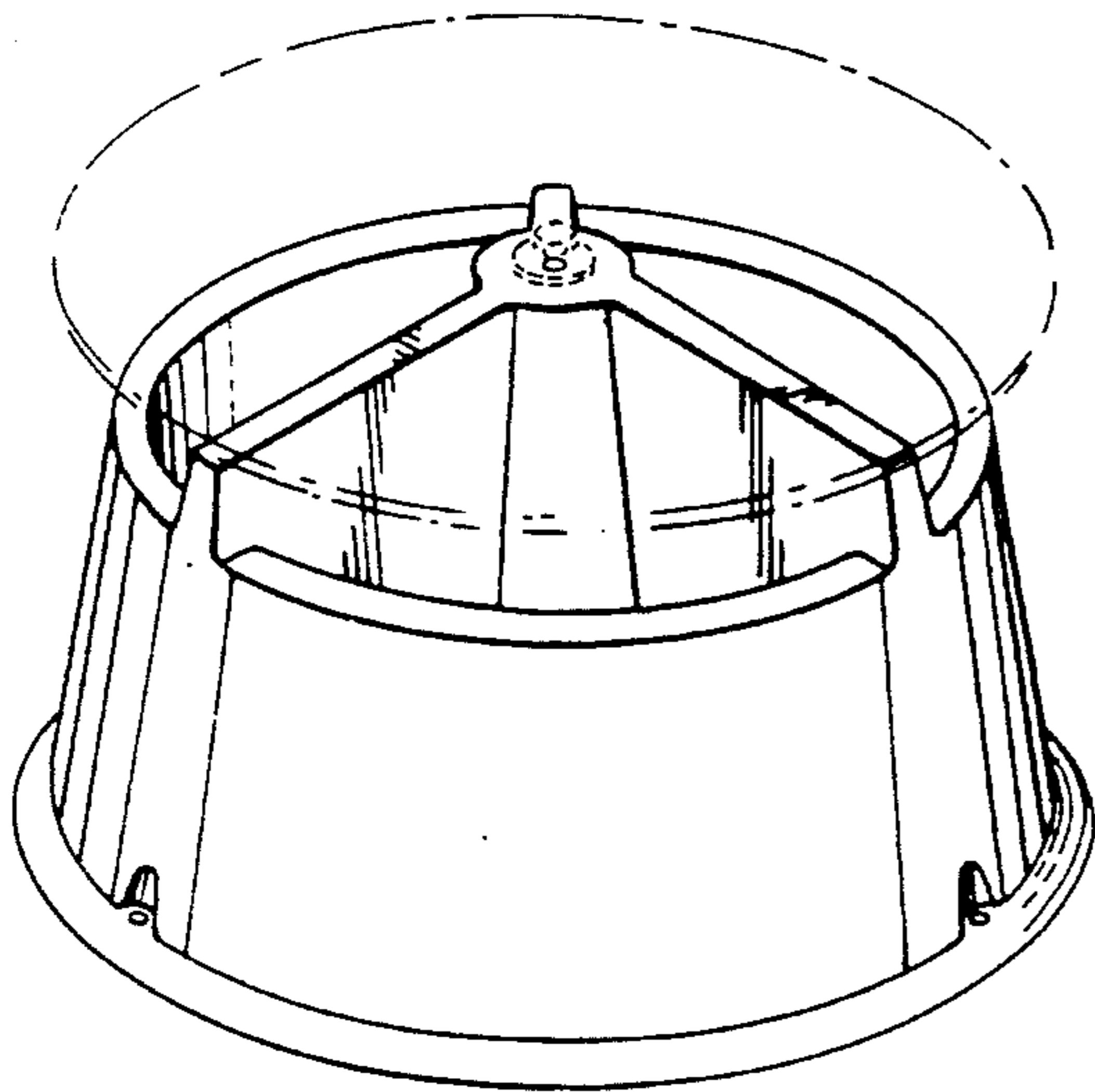
FIG. 4 is a bottom plan view thereof;

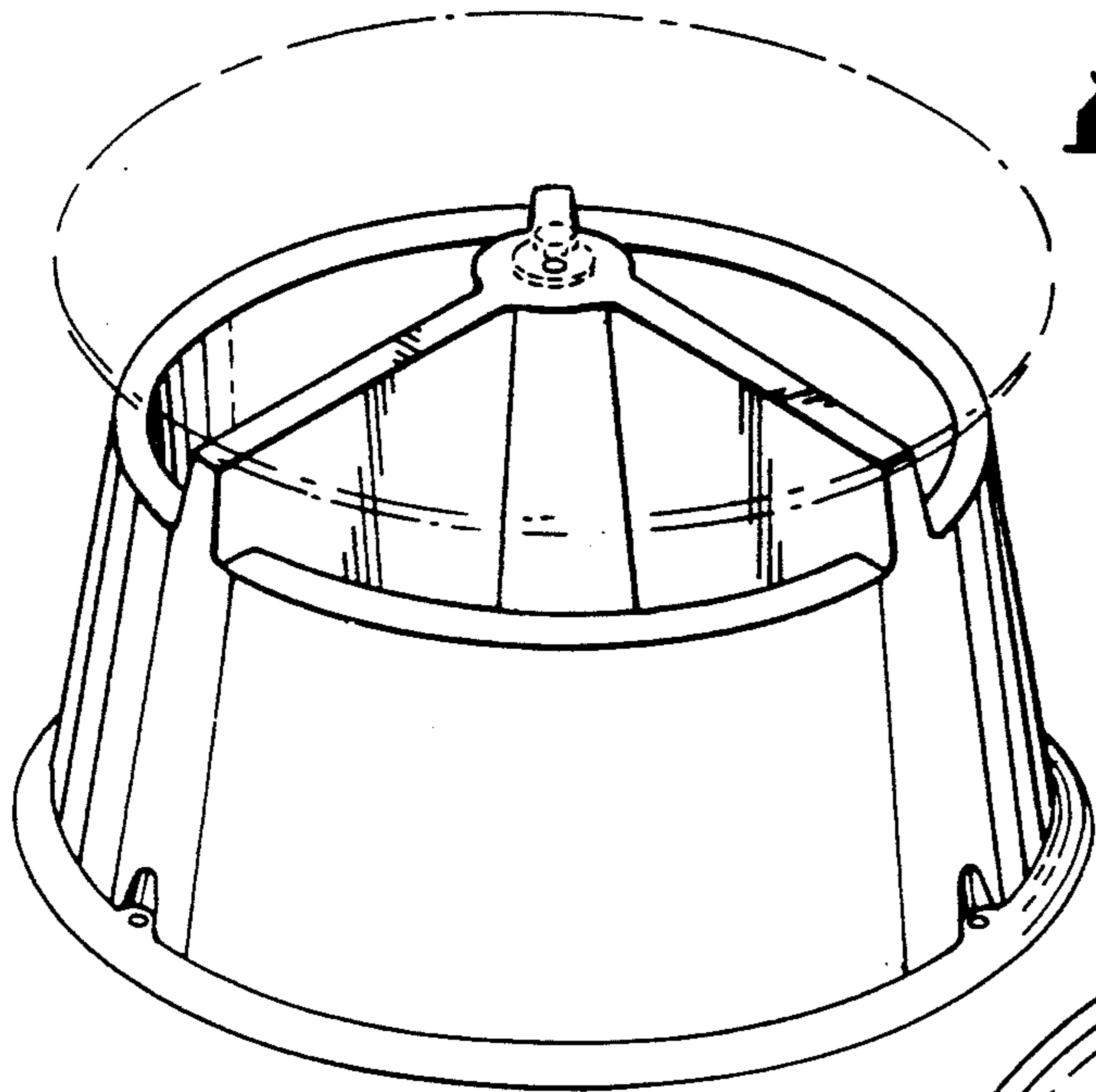
FIG. 5 is a top perspective view of a second embodiment of FIG. 1;

FIG. 6 is a top plan view thereof;

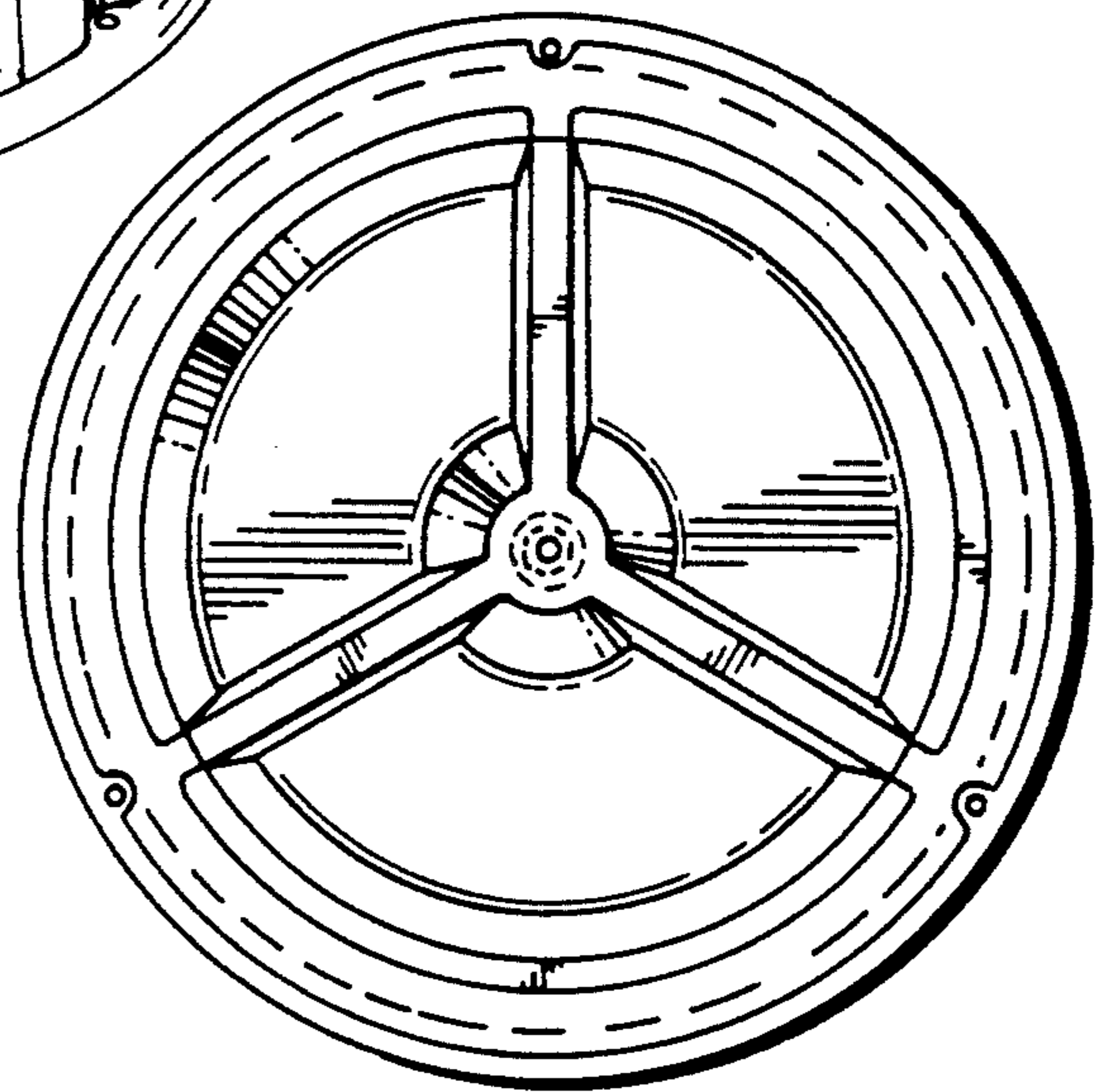
FIG. 7 is an elevational view thereof, the other elevational views being substantially a mirror image thereof; and,

FIG. 8 is a bottom plan view thereof.

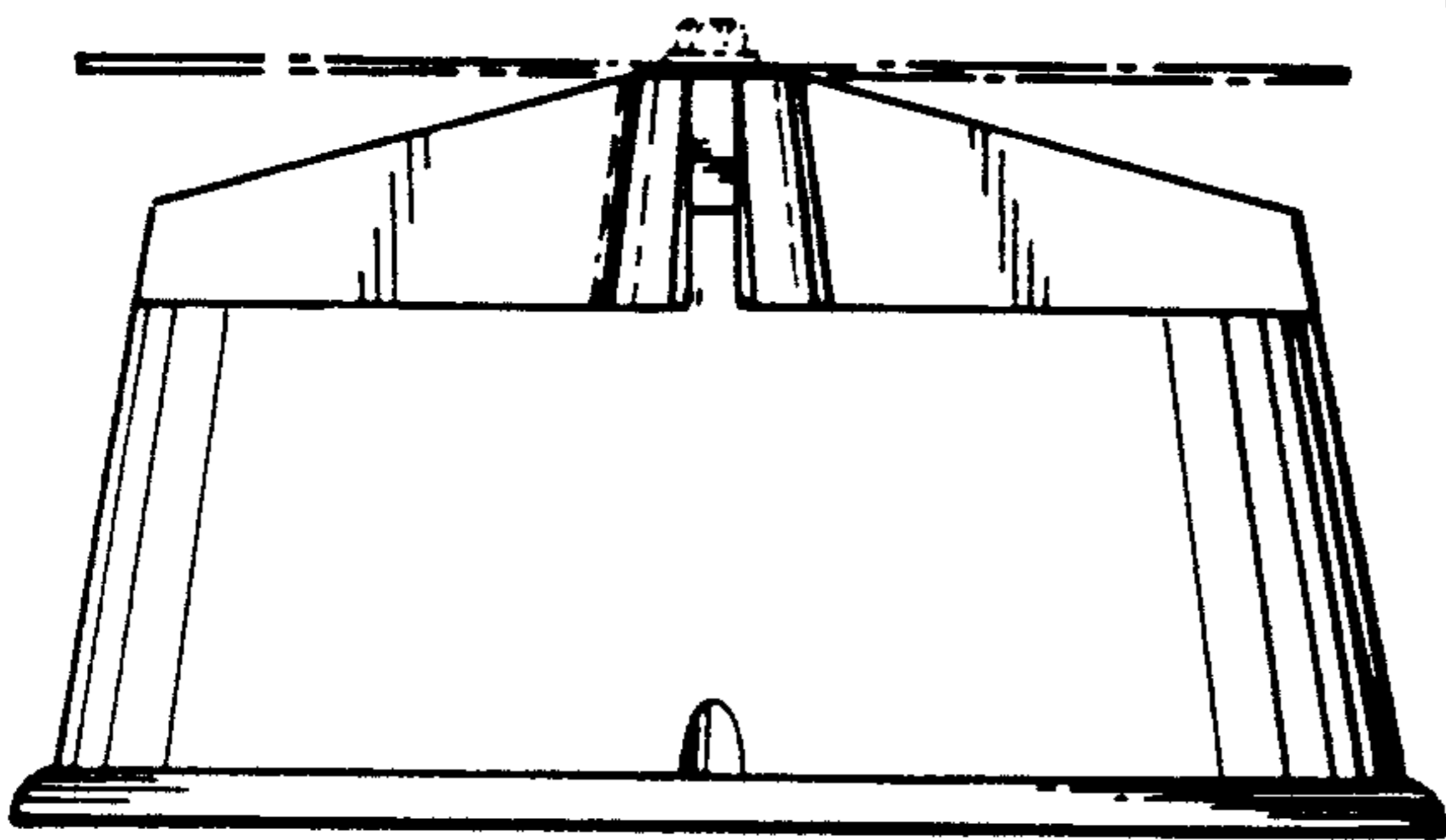




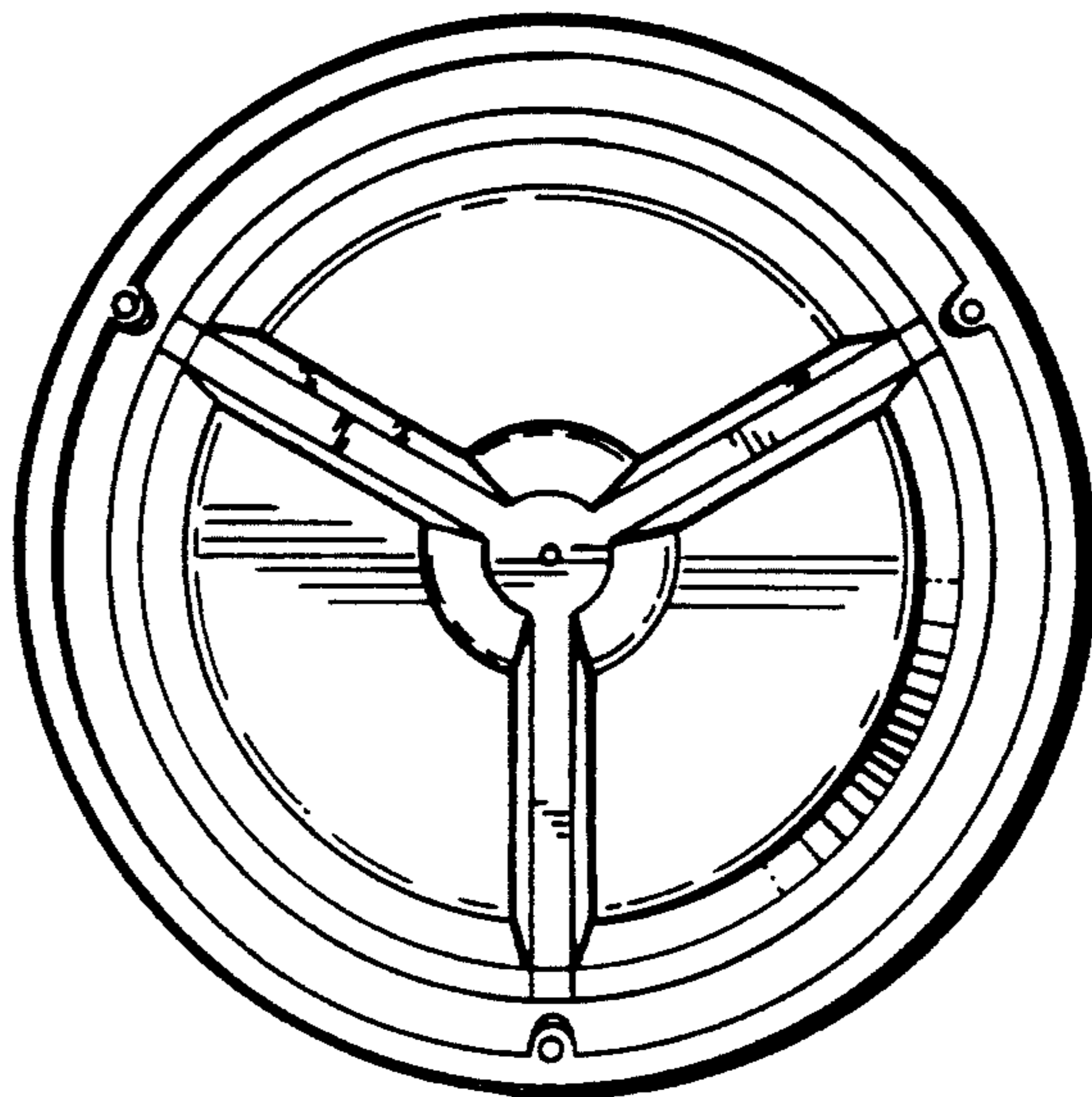
**Fig. 1.**



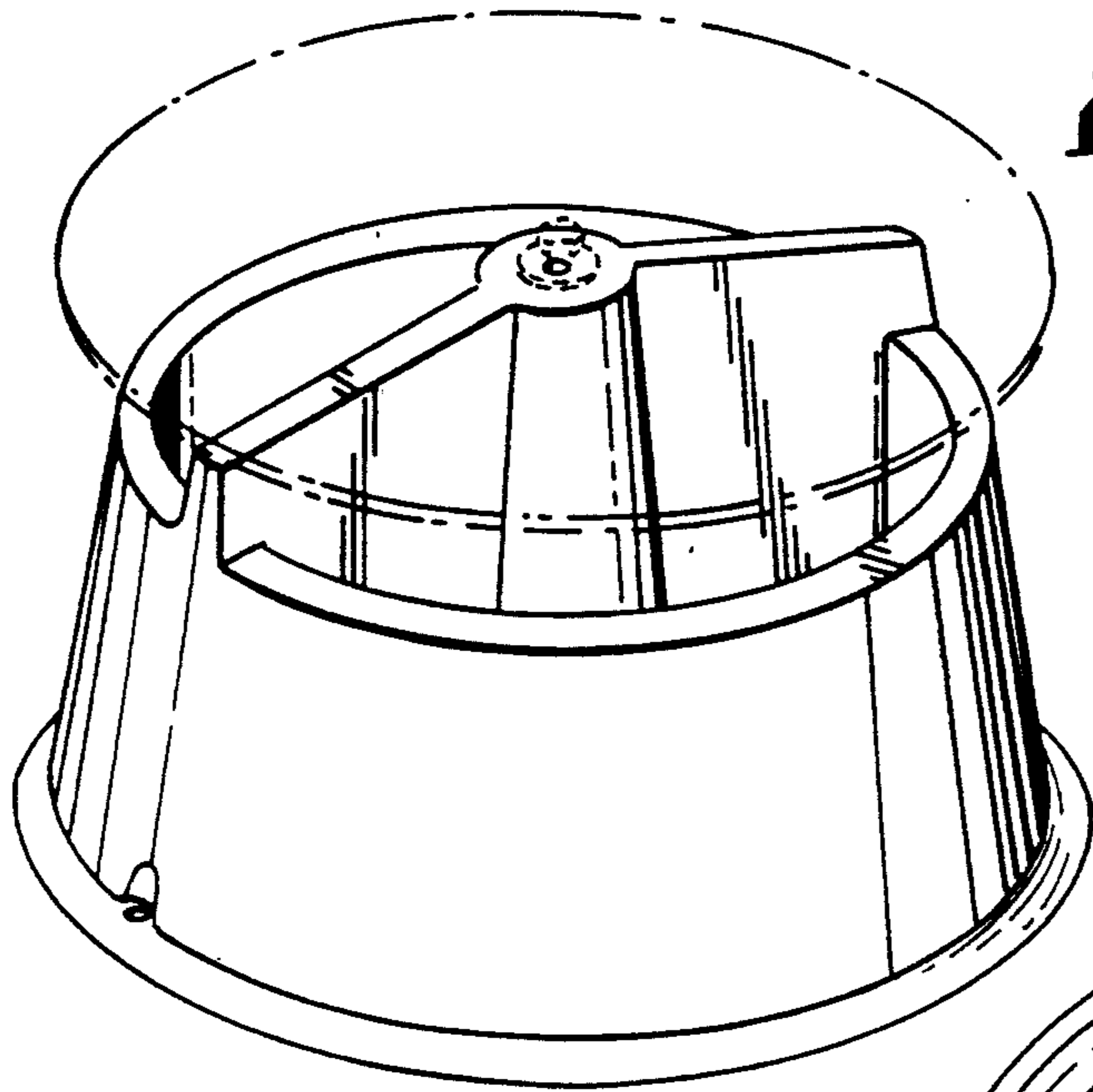
**Fig. 2.**



**Fig. 3.**

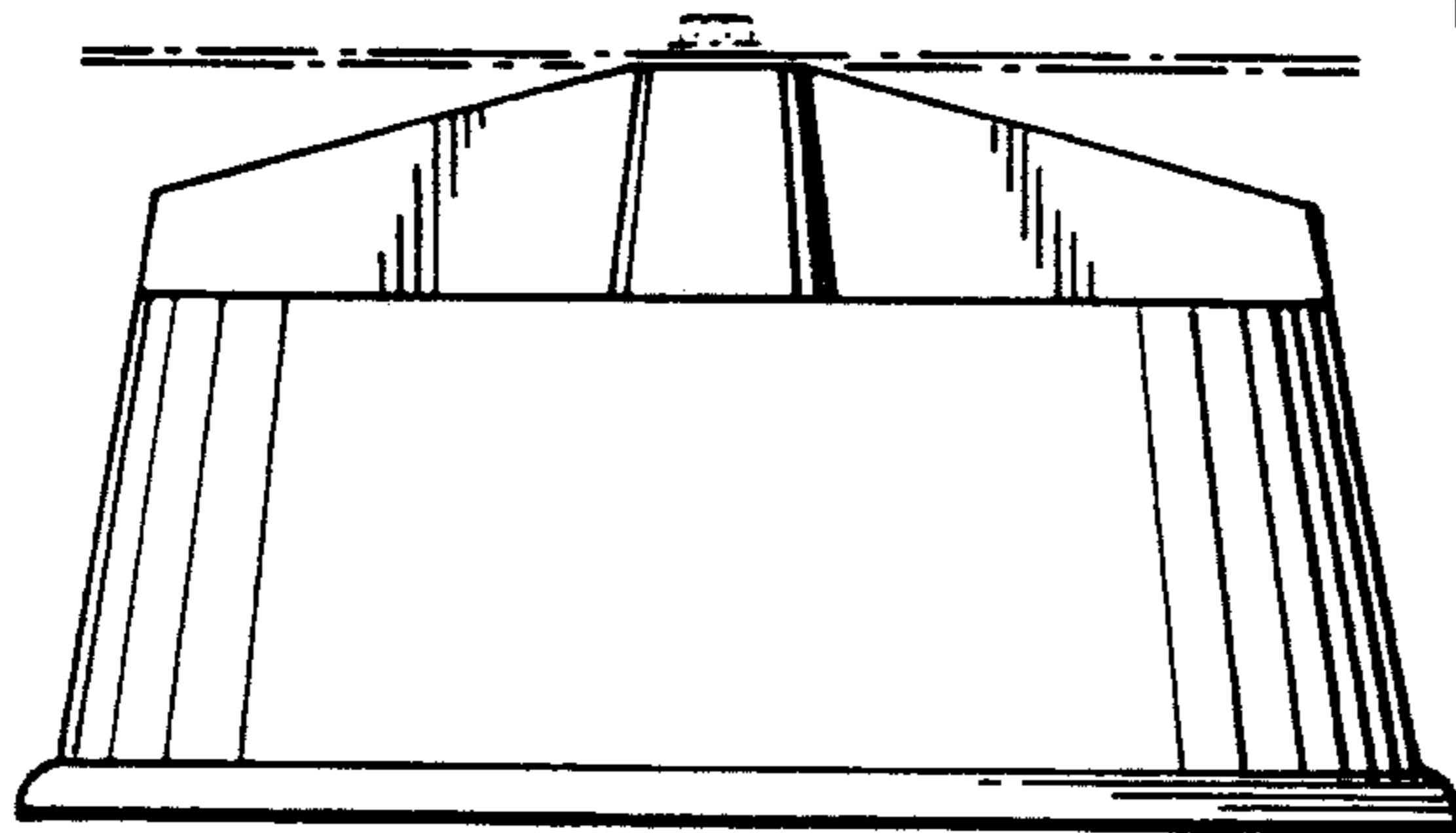
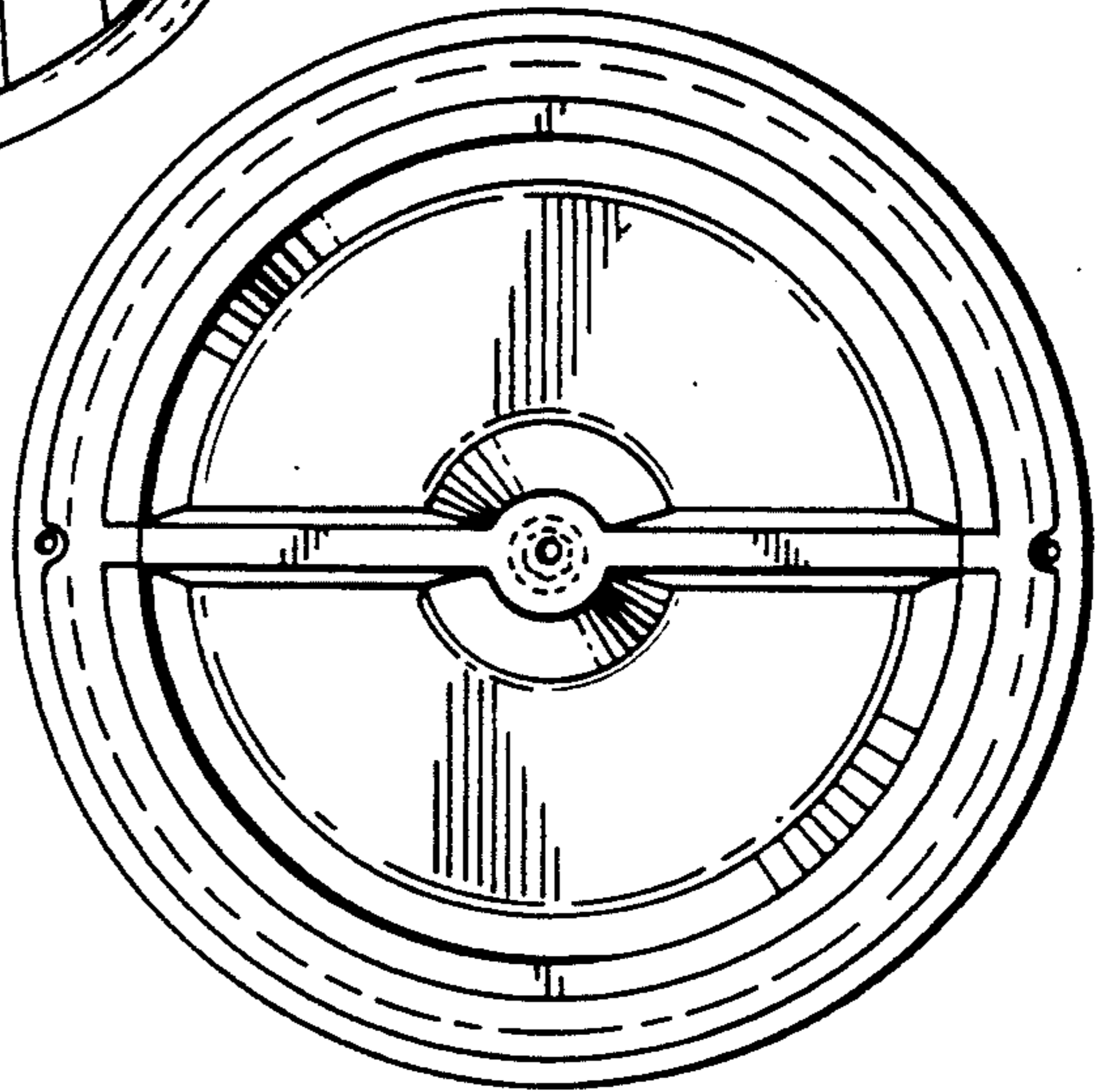


**Fig. 4.**



**Fig. 5.**

**Fig. 6.**



**Fig. 7.**

**Fig. 8.**

