



US00D347299S

United States Patent [19]

[11] Patent Number: **Des. 347,299**

Bryant et al.

[45] Date of Patent: **** May 24, 1994**

[54] VALVE COVER

[75] Inventors: **John W. Bryant**, High Shincliffe;
Alan G. Kellett, Woodham Village;
Richard A. Lees, Durham City, all of
United Kingdom; **Daniel A.**
Japuntich, St. Paul, Minn.; **David C.**
Byram, River Falls, Wis.

[73] Assignee: **Minnesota Mining and
Manufacturing Company**, St. Paul,
Minn.

[**] Term: **14 Years**

[21] Appl. No.: **384**

[22] Filed: **Oct. 13, 1992**

[52] U.S. Cl. **D29/7**

[58] Field of Search 128/201.19, 206.19,
128/205.24, 206.17, , 206.12; D29/6-9

[56] References Cited

U.S. PATENT DOCUMENTS

D. 294,410	2/1988	Montest	D29/7
2,751,904	6/1956	Lewis	128/206.17
4,756,308	7/1988	Ryback	128/201.19
4,827,924	5/1989	Japuntich	128/206.19
4,838,262	6/1989	Katz	128/205.24
4,958,633	9/1990	Angell	128/201.19

FOREIGN PATENT DOCUMENTS

72499 5/1993 Canada .

OTHER PUBLICATIONS

3M product literature for Particulate Respirators (Apr. 1990).

3M product literature for Gas and Vapor Respirators (Jun. 1990).

Primary Examiner—Kay H. Chin

Attorney, Agent, or Firm—Gary L. Griswold; Walter N. Kim; Karl G. Hanson

[57] CLAIM

The ornamental design for a valve cover, as shown and described.

DESCRIPTION

FIG. 1 is a perspective view of a valve cover showing our new design. The broken line showing of FIG. 1 is for illustrative purposes only and forms no part of the claimed design; it being understood that filtering face masks of other configurations may be used in conjunction with the valve cover of this invention;

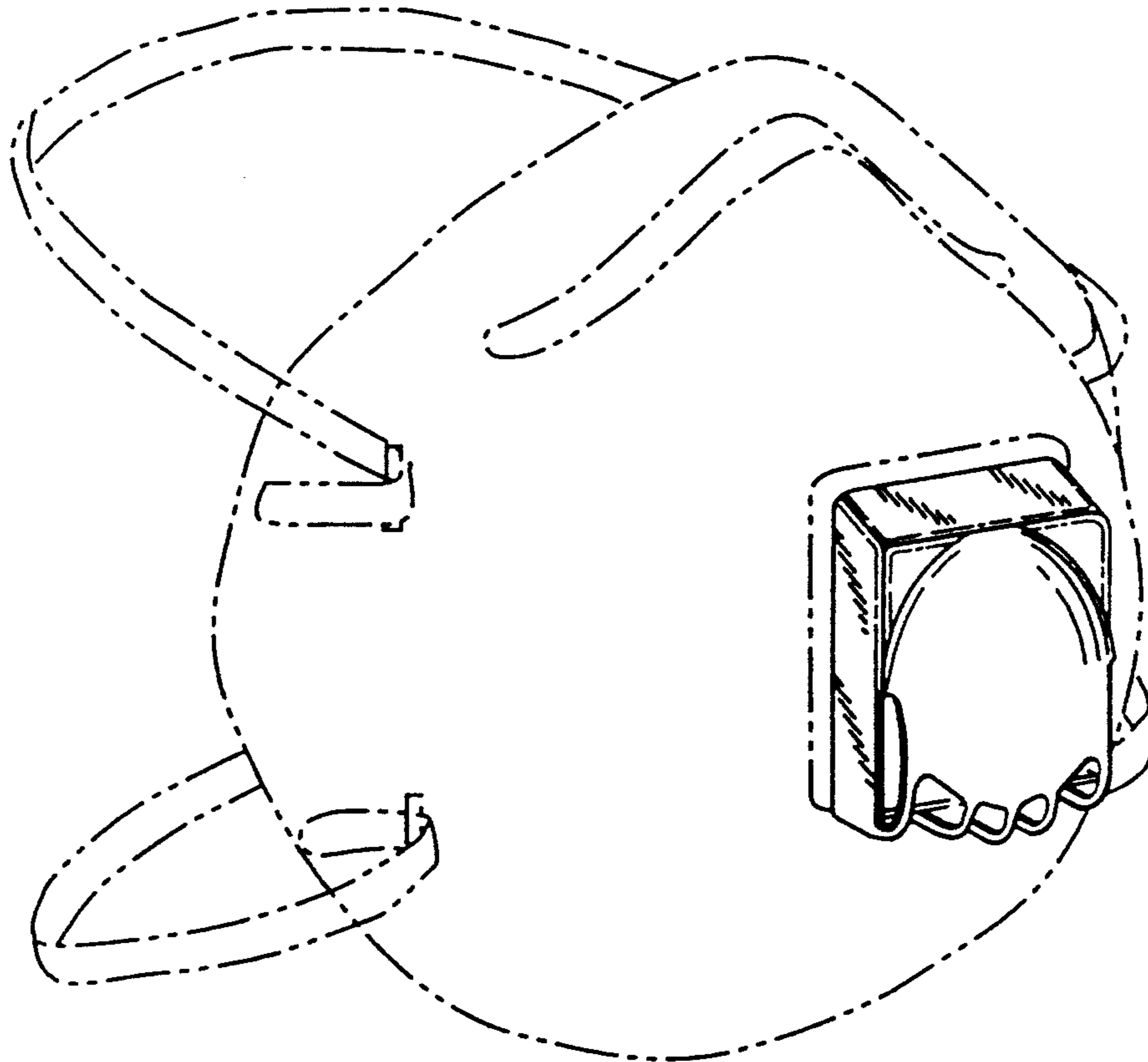
FIG. 2 is a top view thereof;

FIG. 3 is a left side elevational view thereof; the right side elevational view being the same;

FIG. 4 is a bottom view thereof;

FIG. 5 is a front elevational view thereof; and,

FIG. 6 is a rear elevational view thereof.



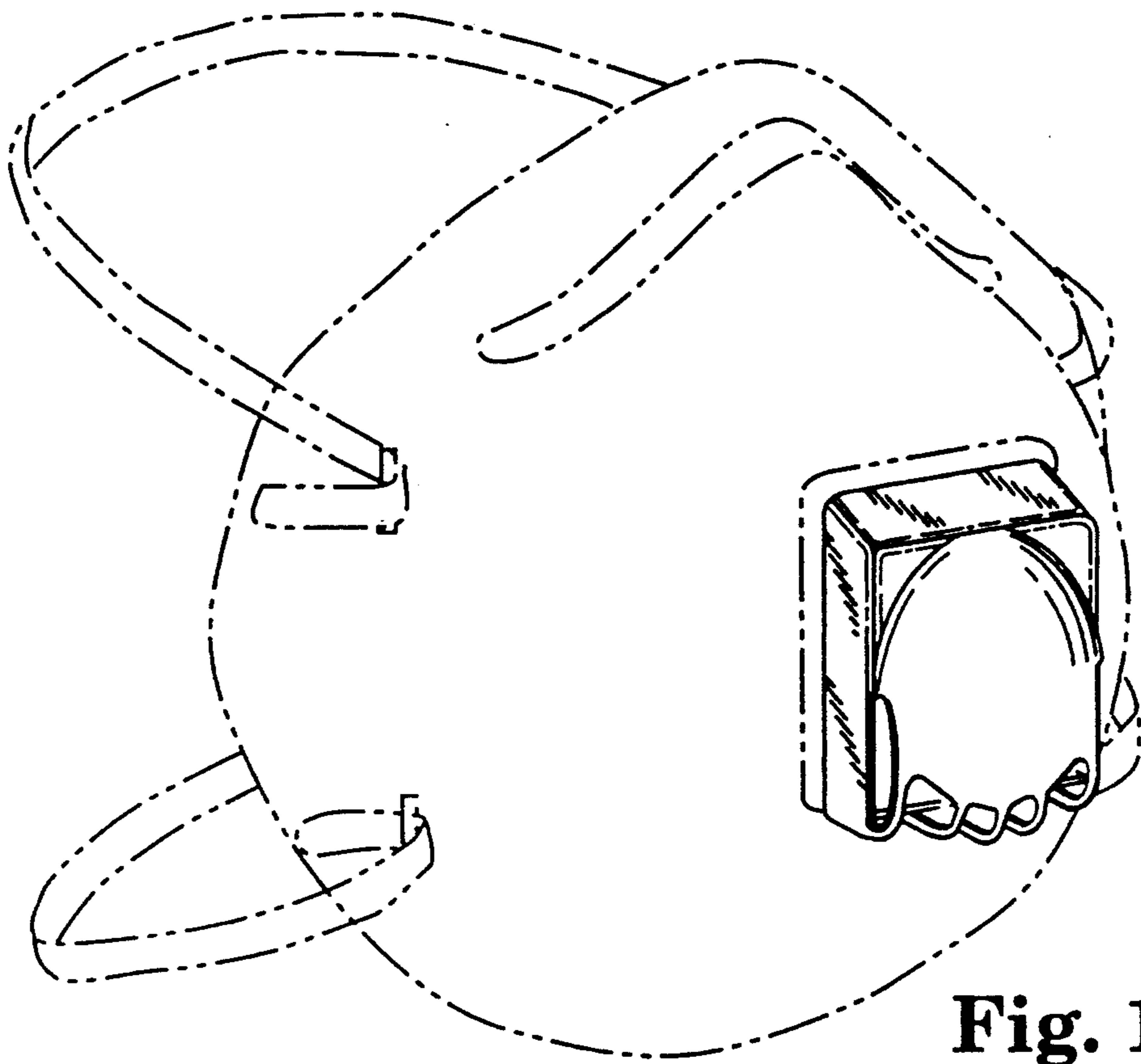


Fig. 1

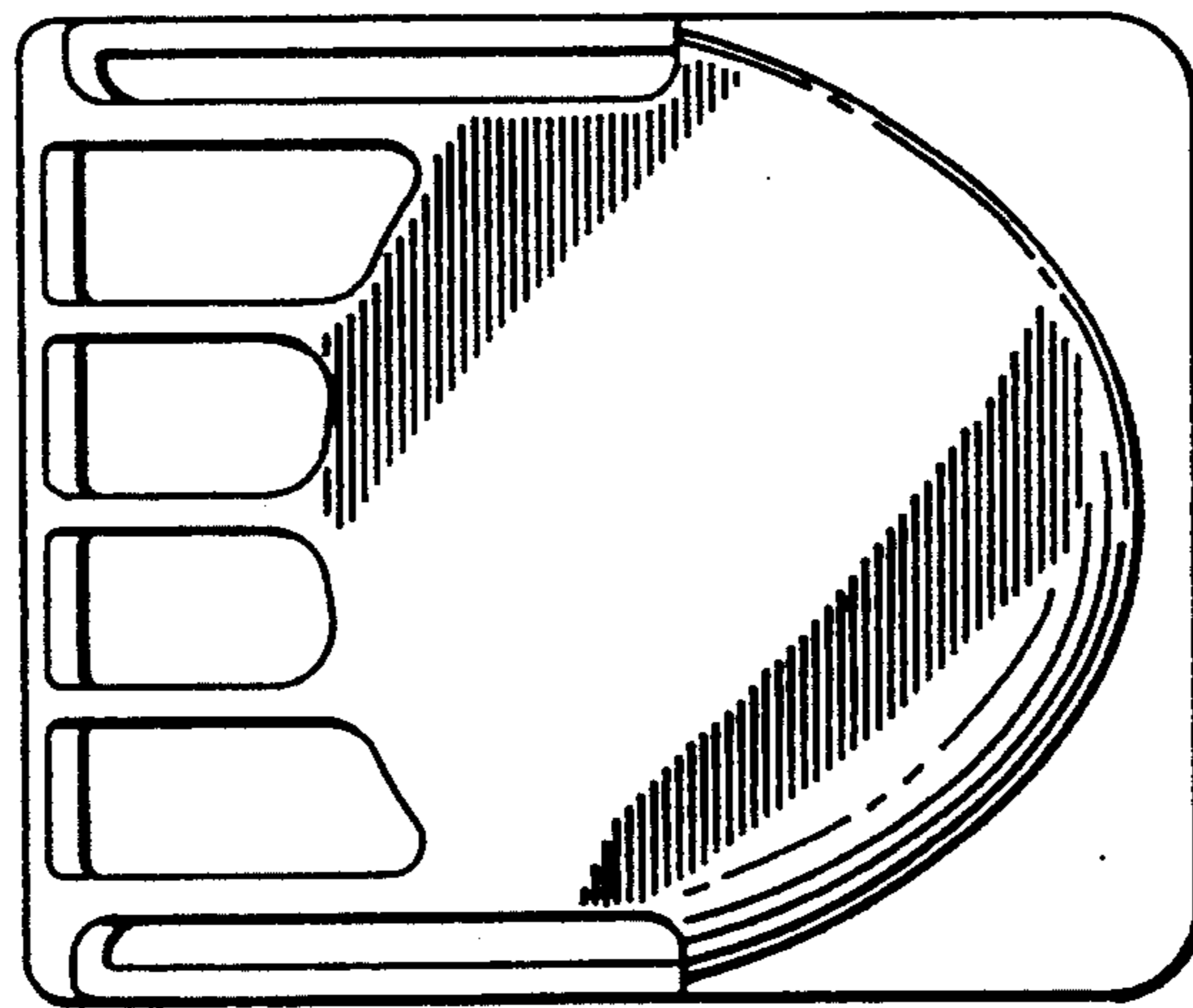


Fig. 2

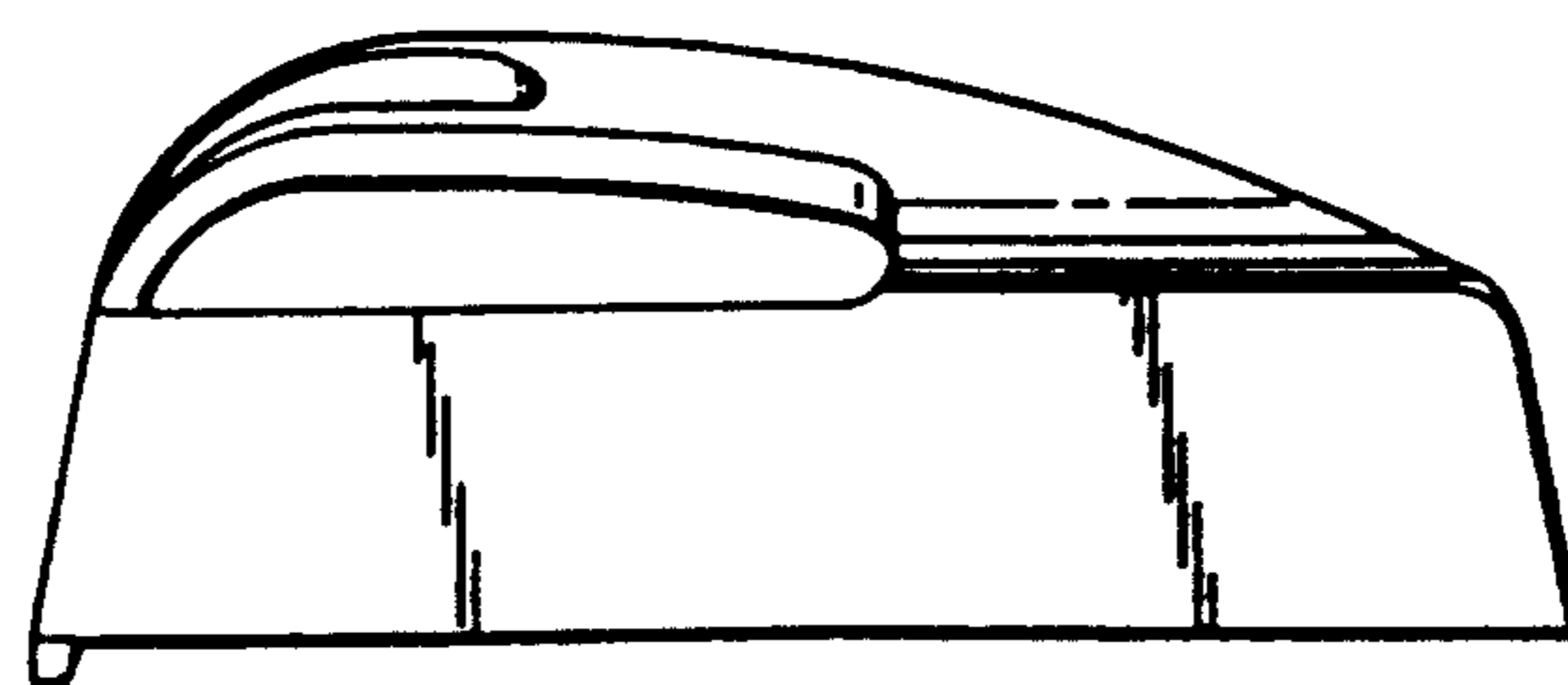


Fig. 3

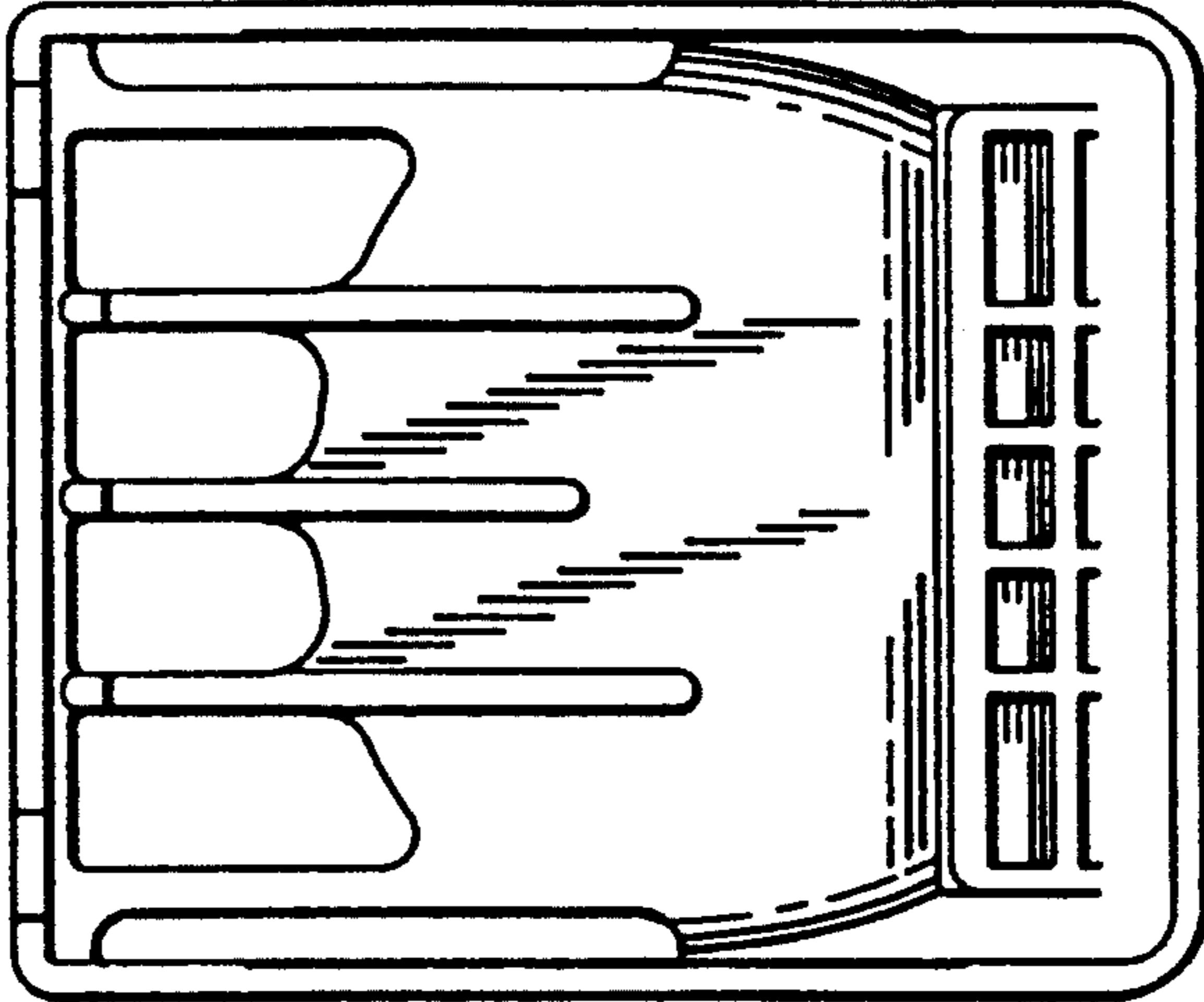


Fig. 4

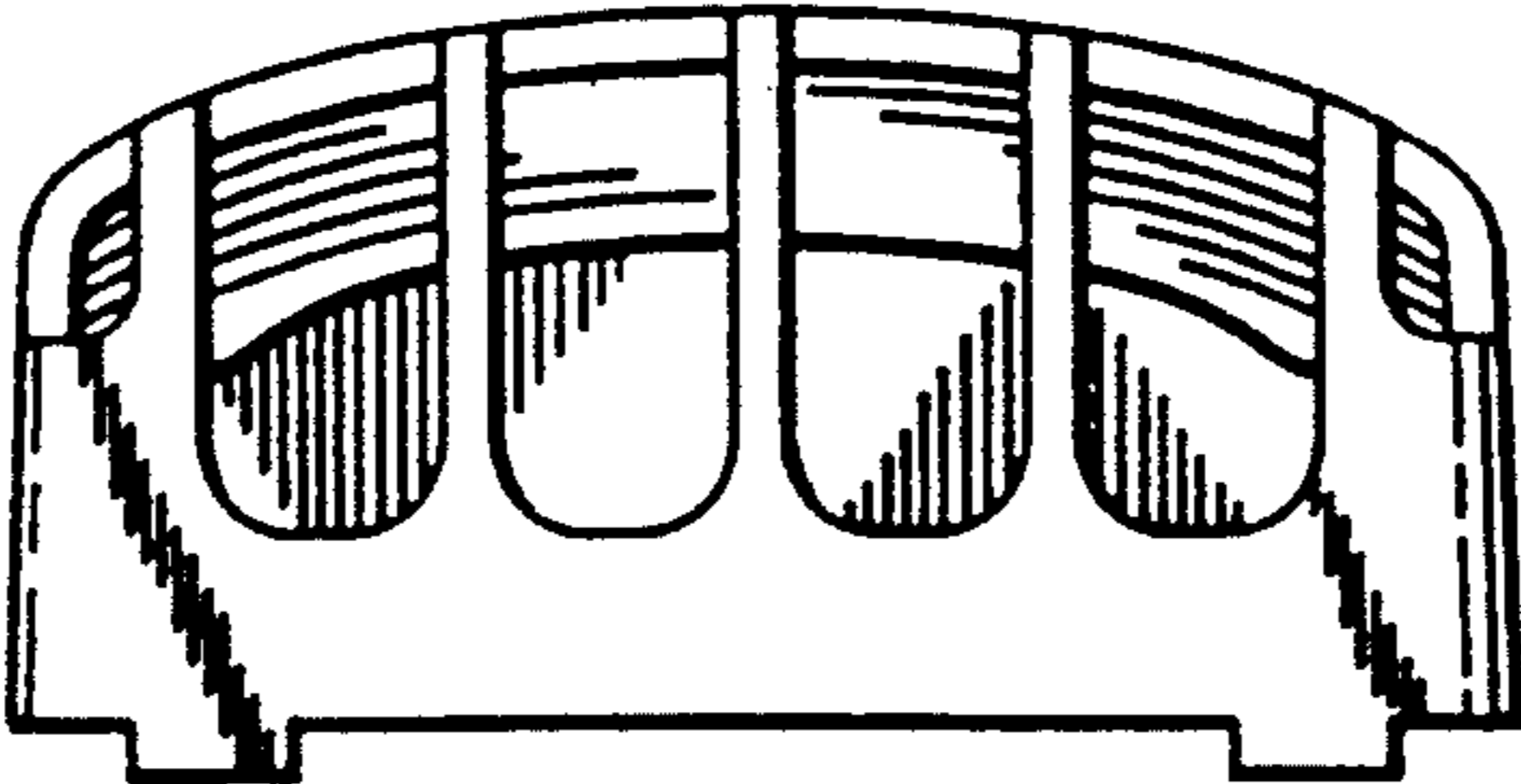


Fig. 5

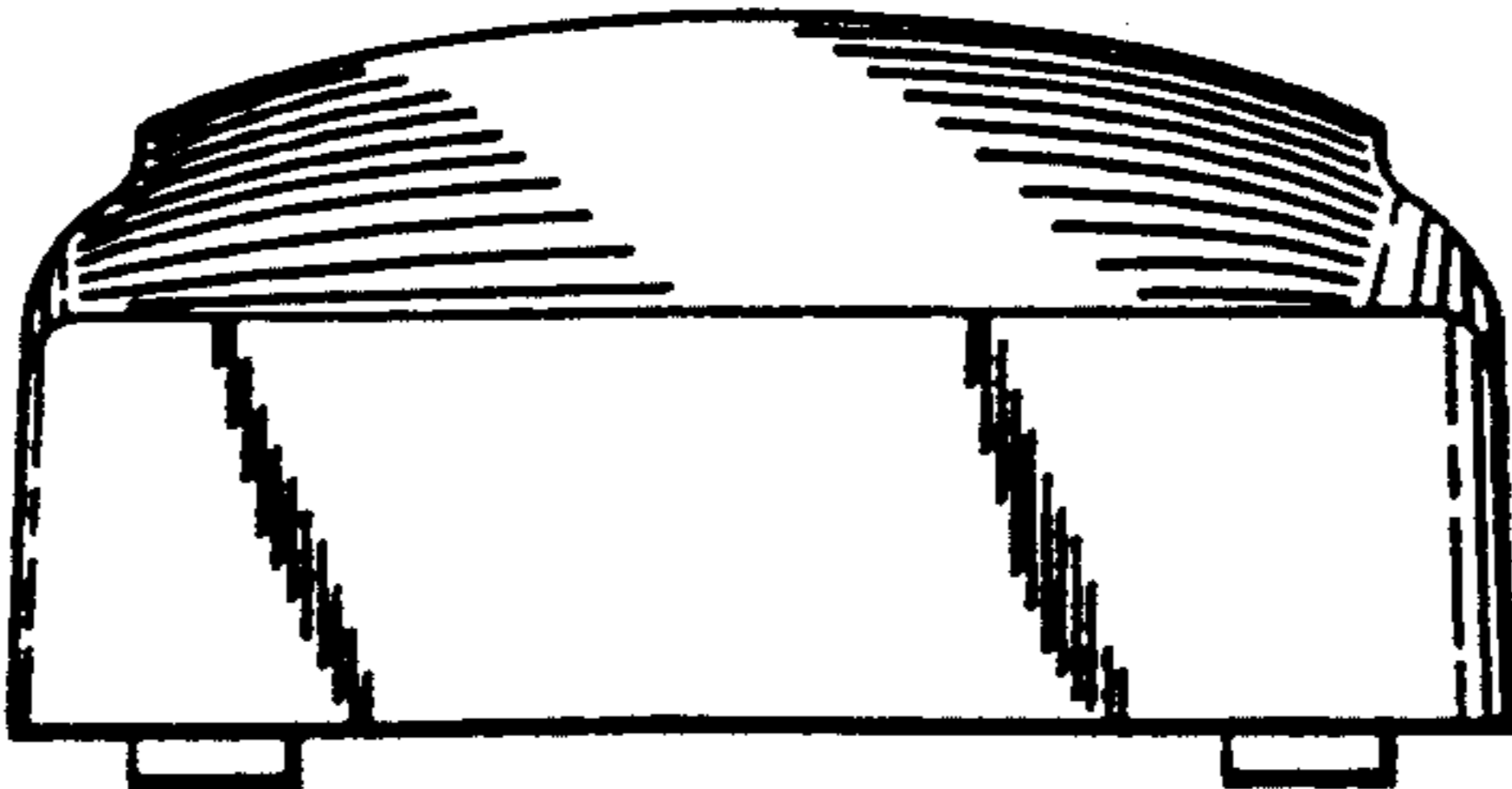


Fig. 6