



US00D347293S

United States Patent [19]

[11] Patent Number: **Des. 347,293**

Roos et al.

[45] Date of Patent: **** May 24, 1994**

[54] **RECESSED LIGHTING FIXTURE TRIM HAVING A DECORATIVE PORTION WITH A TRANSLUCENT BAND**

[75] Inventors: **Scott L. Roos**, Glenview, Ill.; **Kevin Von Kluck**, Hudson, Ohio

[73] Assignee: **Juno Lighting, Inc.**, Des Plaines, Ill.

[**] Term: **14 Years**

[21] Appl. No.: **80**

[22] Filed: **Oct. 2, 1992**

[52] U.S. Cl. **D26/118; D26/74**

[58] Field of Search **362/147, 148, 364, 404-408; D26/118, 72, 80-92, 74**

[56] **References Cited**

U.S. PATENT DOCUMENTS

- D. 45,313 2/1914 Schoenhardt D26/88
- D. 86,313 2/1932 Hollister D26/88
- D. 328,250 8/1992 Jones D26/85
- D. 331,638 12/1992 Vamberszky et al. D26/74 X
- D. 341,441 11/1993 Shapiro D26/74 X

OTHER PUBLICATIONS

Louis Poulsen Light & Design II Catalog, 1989, p. 2, Downlight.

Troy Lighting, Inc. catalog copyrighted 1992. Lightolier catalog pp. 104-107.

Primary Examiner—Susan J. Lucas
Attorney, Agent, or Firm—Anthony S. Zummer

[57] **CLAIM**

The ornamental design for a recessed lighting fixture trim having a decorative portion with a translucent band, as shown and described.

DESCRIPTION

FIG. 1 is a lower front perspective view of a recessed lighting fixture trim having a decorative portion with a translucent band, the ceiling being shown in broken lines for illustrative purposes only and forming no part of the claimed design;

FIG. 2 is a cross-sectional view thereof, the recessed lighting fixture and ceiling being shown in broken lines for illustrative purposes only and forming no part of the claimed design;

FIG. 3 is a front elevational view thereof, which view is identical to rear right and left elevational views;

FIG. 4 is a top plan view thereof; and,

FIG. 5 is a bottom plan view thereof.

Recessed lighting fixture trim having a decorative portion with a translucent band is shaded to show that the band is translucent.

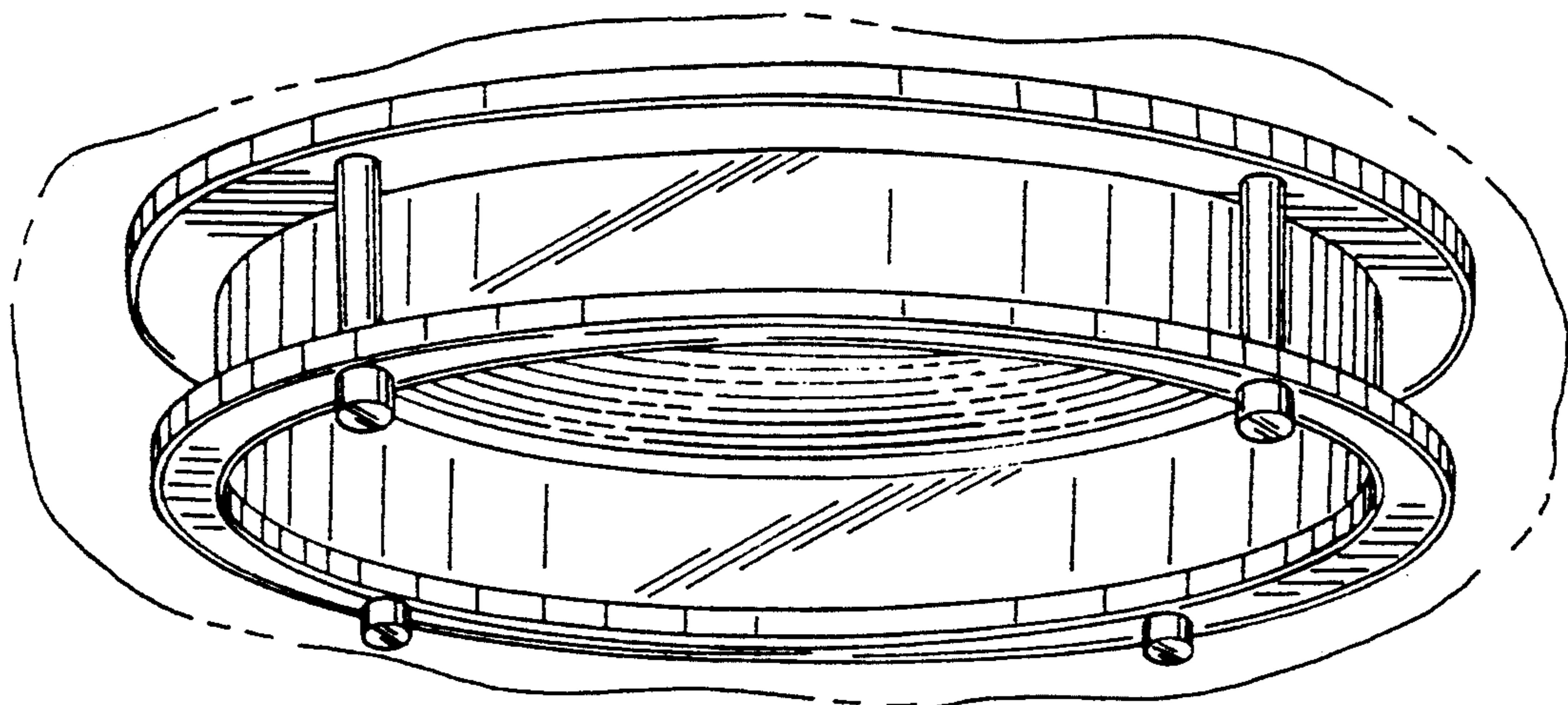


FIG. 1

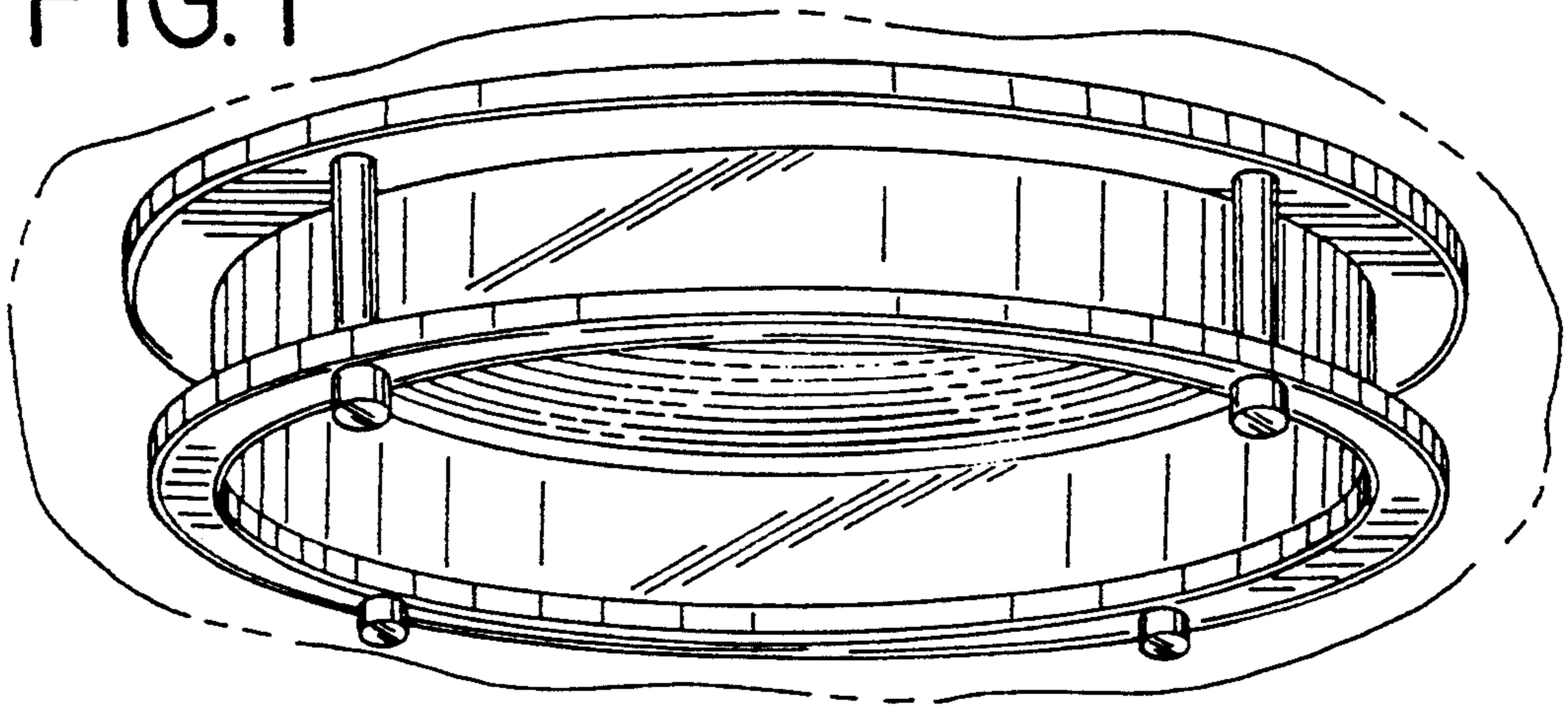


FIG. 2

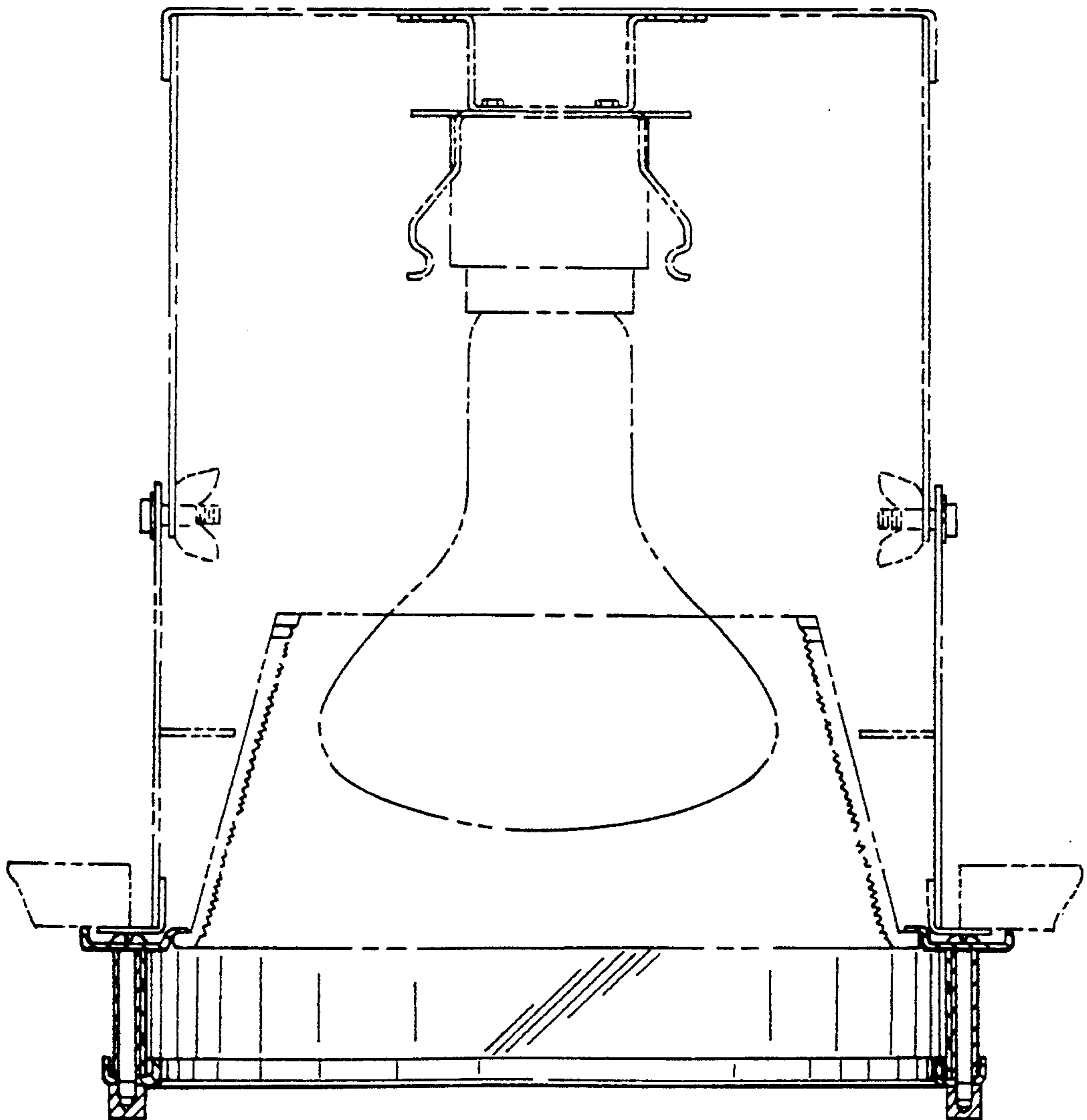


FIG. 3

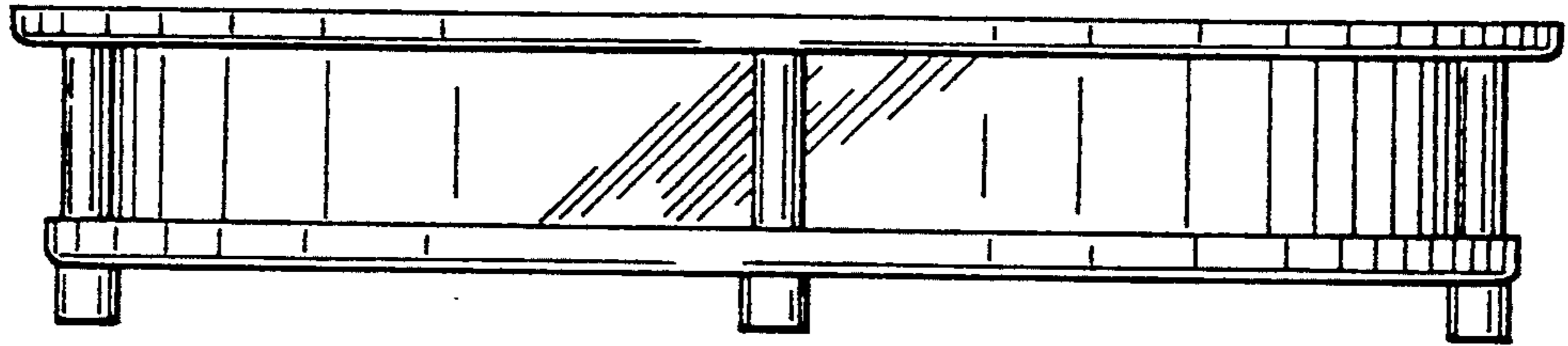


FIG. 4

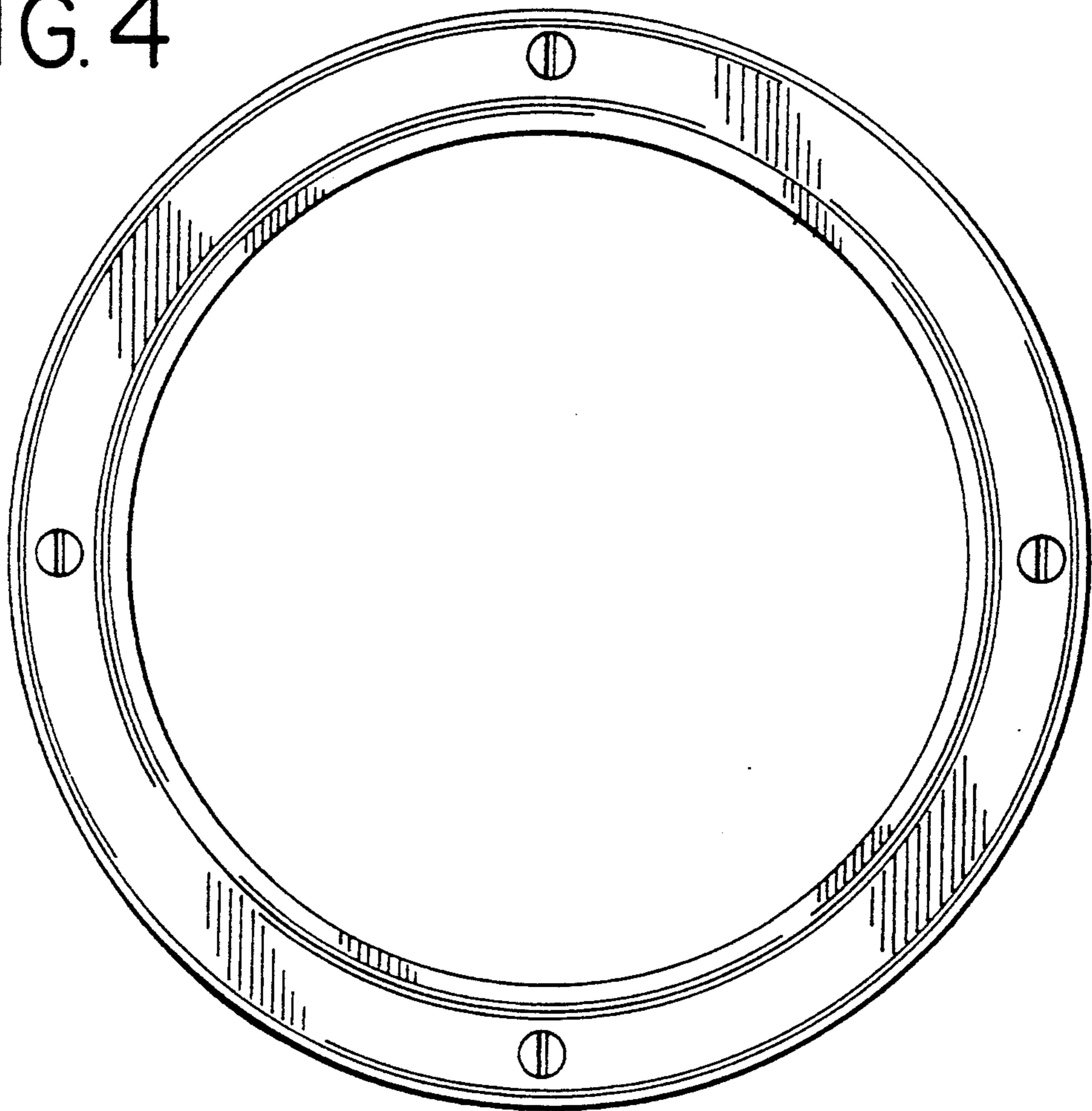


FIG. 5

