



US00D347288S

# United States Patent [19] Ham

[11] Patent Number: Des. 347,288

[45] Date of Patent: \*\* May 24, 1994

[54] MINI-FLUORESCENT LIGHT

[76] Inventor: **Byung I. Ham**, 16550 E. Blackburn Dr., La Mirada, Calif. 90638

[\*\*] Term: **14 Years**

[21] Appl. No.: **13,049**

[22] Filed: **Sep. 16, 1993**

[52] U.S. Cl. .... **D26/26; D26/87**

[58] Field of Search ..... **362/147, 226, 222, 223; D26/26, 72, 75, 76, 85, 87, 92**

[56] **References Cited**

**U.S. PATENT DOCUMENTS**

D. 196,669	10/1963	Lasker	.....	D26/87
D. 220,778	5/1971	Jablonski et al.	.....	D26/71
D. 332,836	1/1993	Ham	.....	D26/26
5,169,227	12/1992	Korte et al.	.....	362/226

*Primary Examiner*—Susan J. Lucas

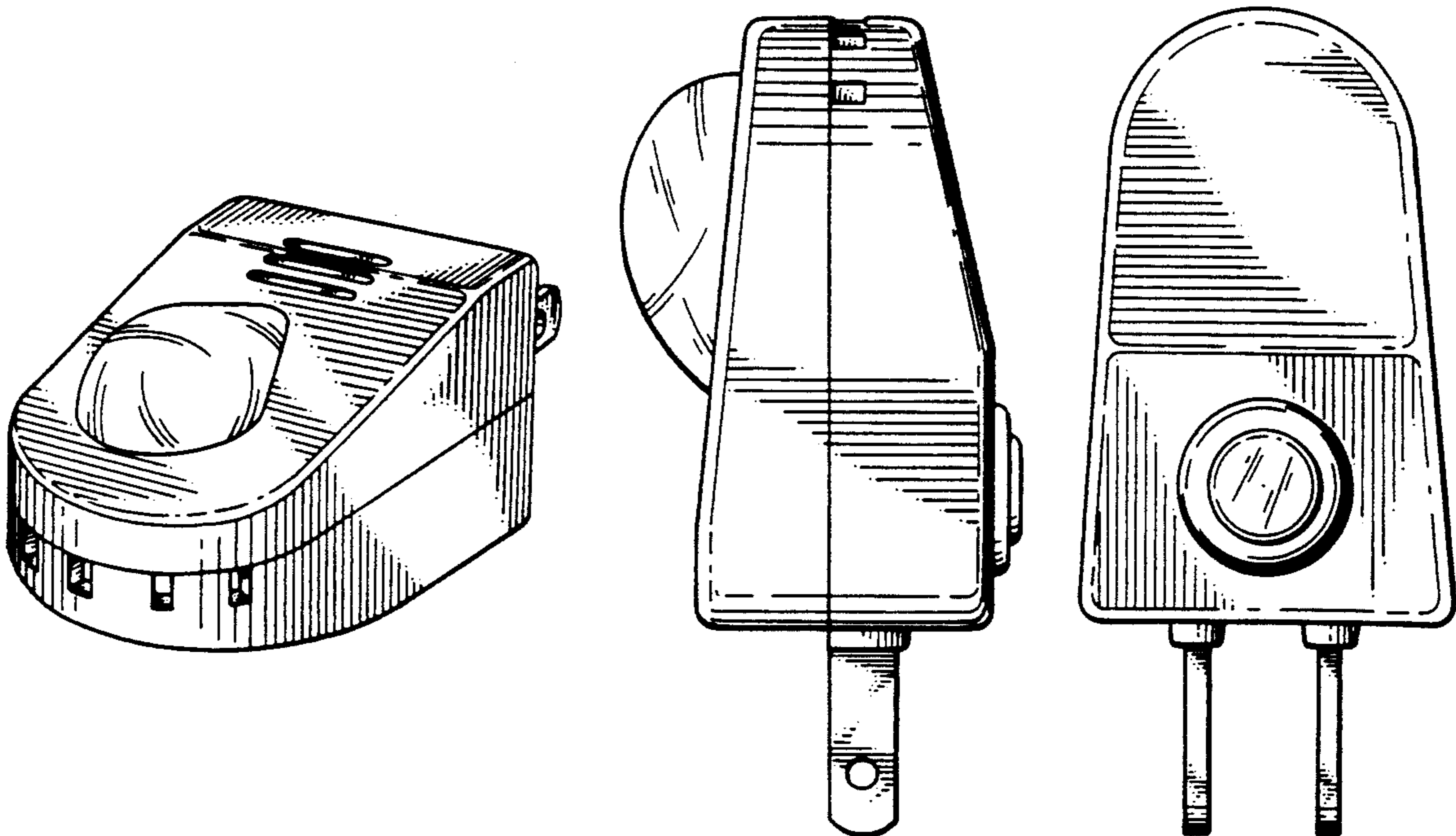
*Attorney, Agent, or Firm*—Blakely, Sokoloff, Taylor & Zafman

[57] **CLAIM**

The ornamental design for mini-fluorescent light, as shown and described.

**DESCRIPTION**

FIG. 1 is a perspective view showing the mini fluorescent light design;  
 FIG. 2 is a front elevational view;  
 FIG. 3 is a side elevational view from one side thereof;  
 FIG. 4 is a top plan view;  
 FIG. 5 is a side elevational view from the other side thereof;  
 FIG. 6 is a bottom plan view;  
 FIG. 7 is a rear elevational view;  
 FIG. 8 is a perspective view of the front and bottom of an alternate embodiment of the design; and,  
 FIG. 9 is a perspective view of the rear and top of the alternate embodiment of FIG. 8.



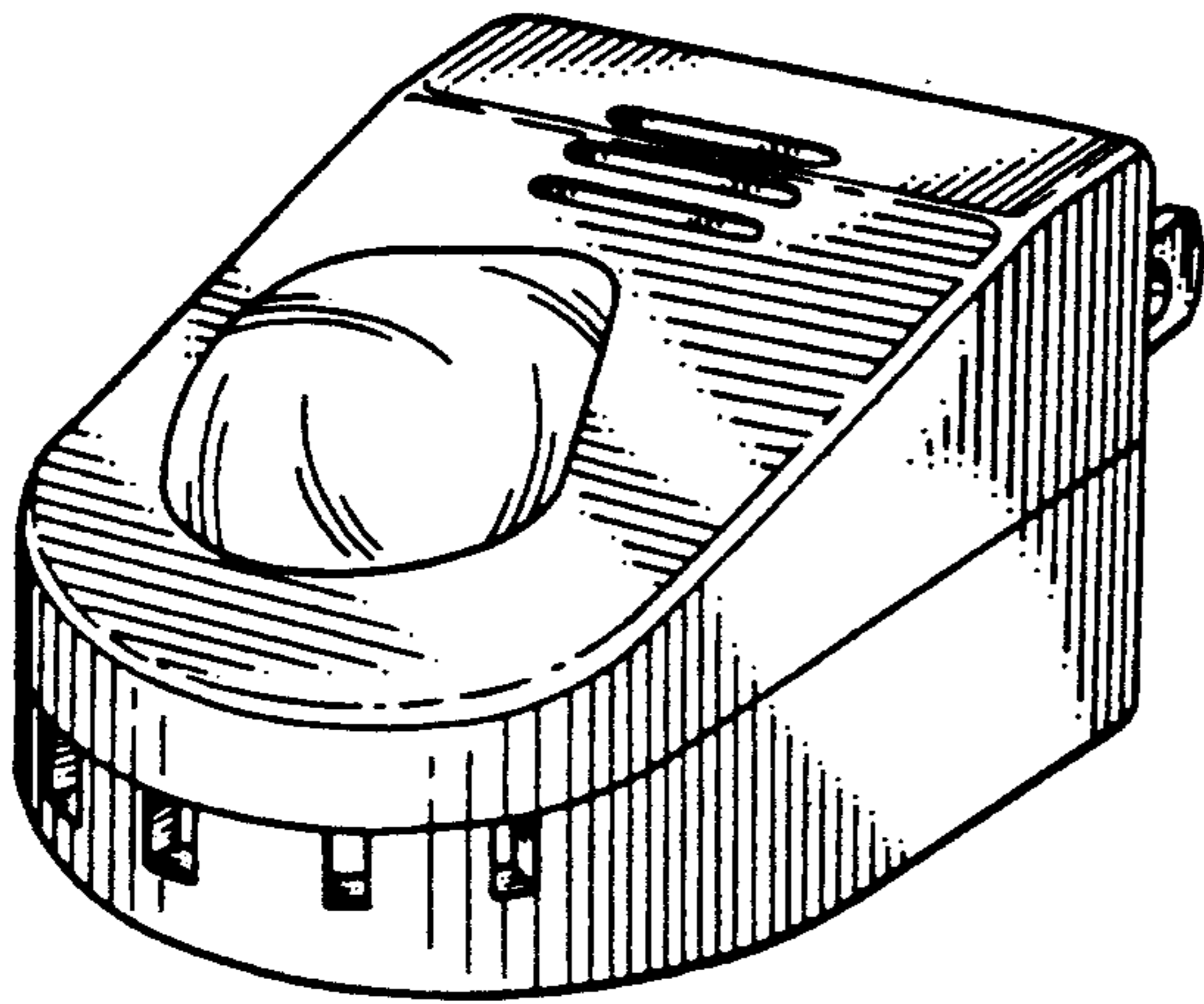


FIG. 1

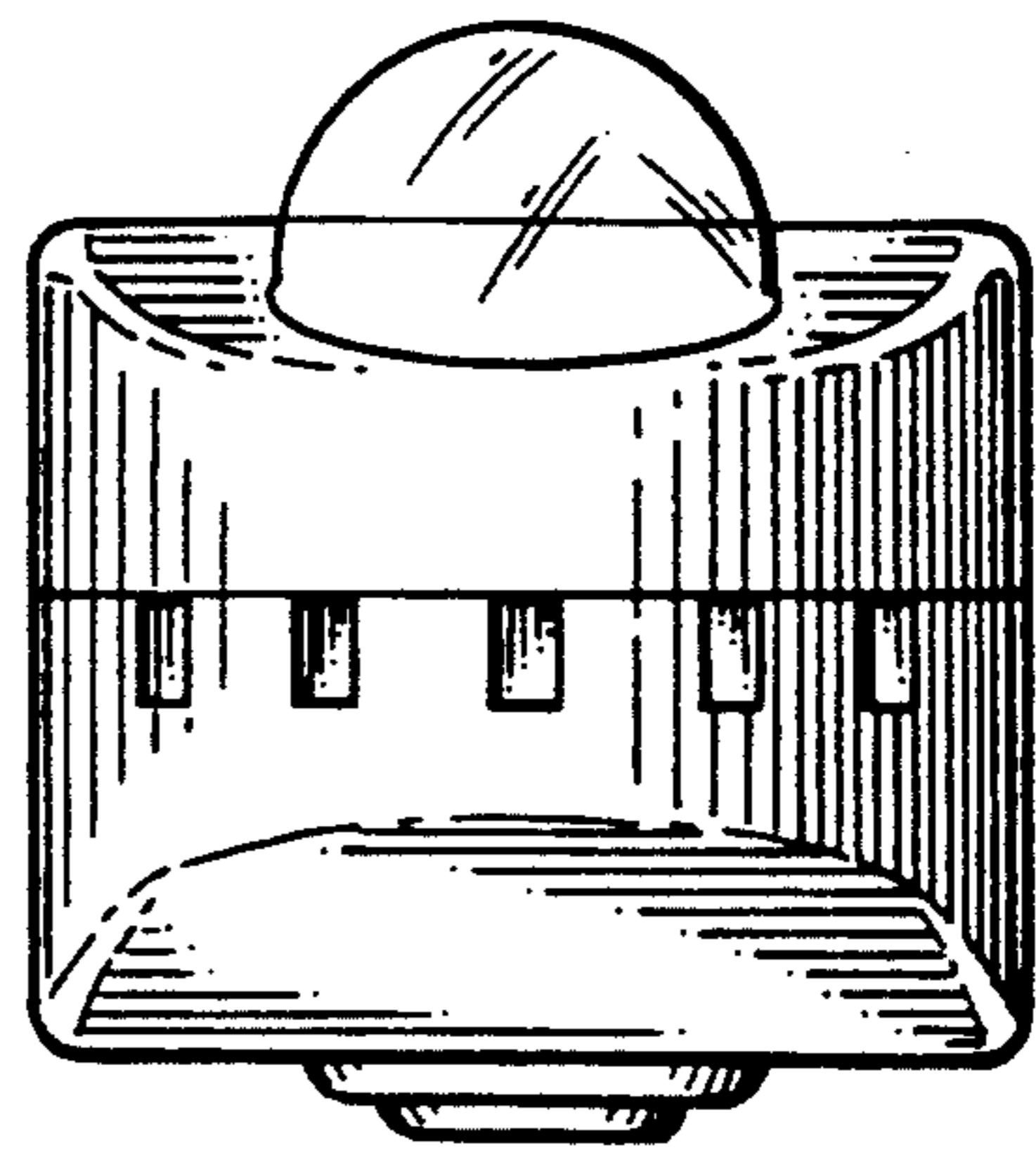


FIG. 2

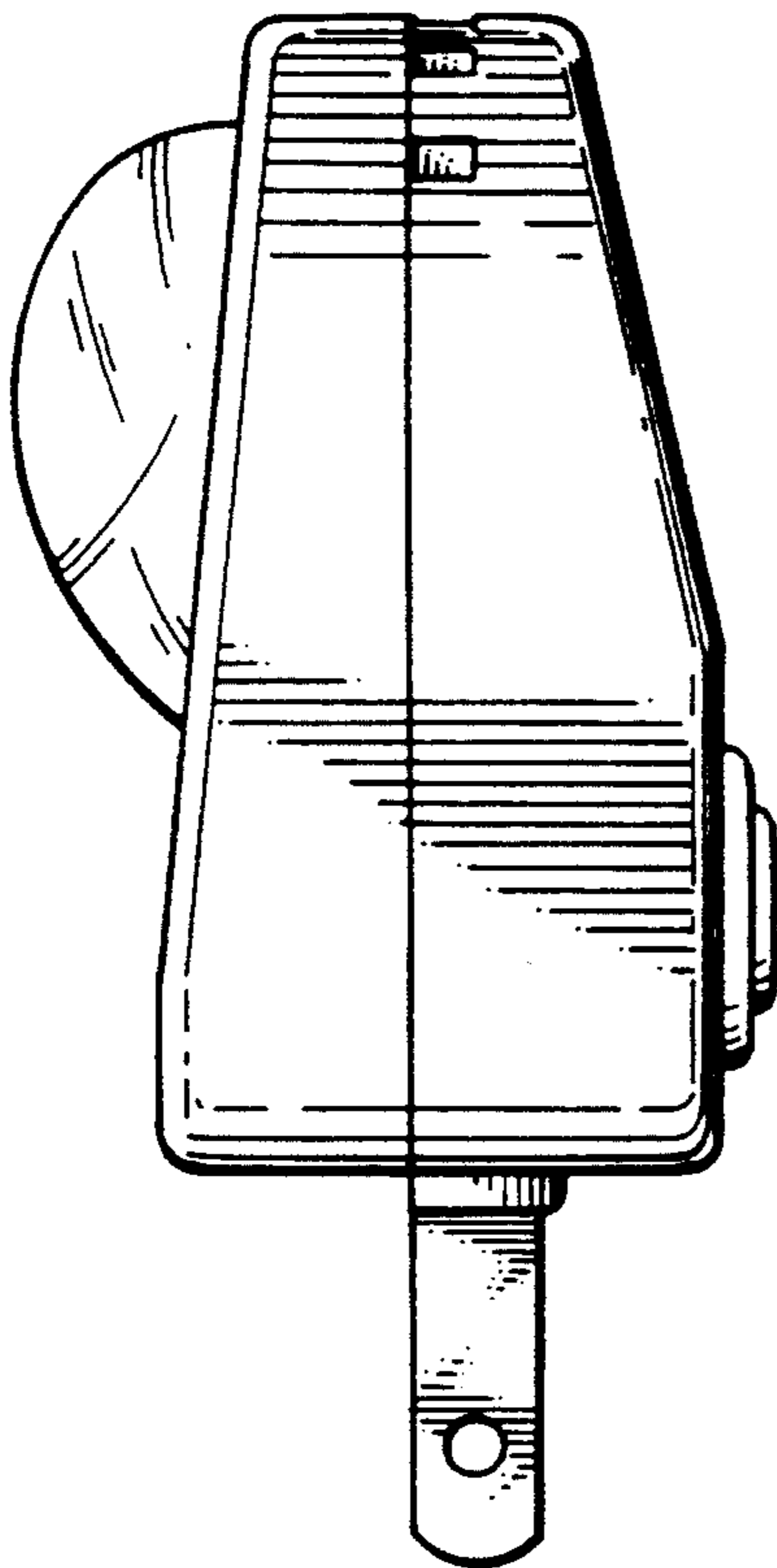


FIG. 3

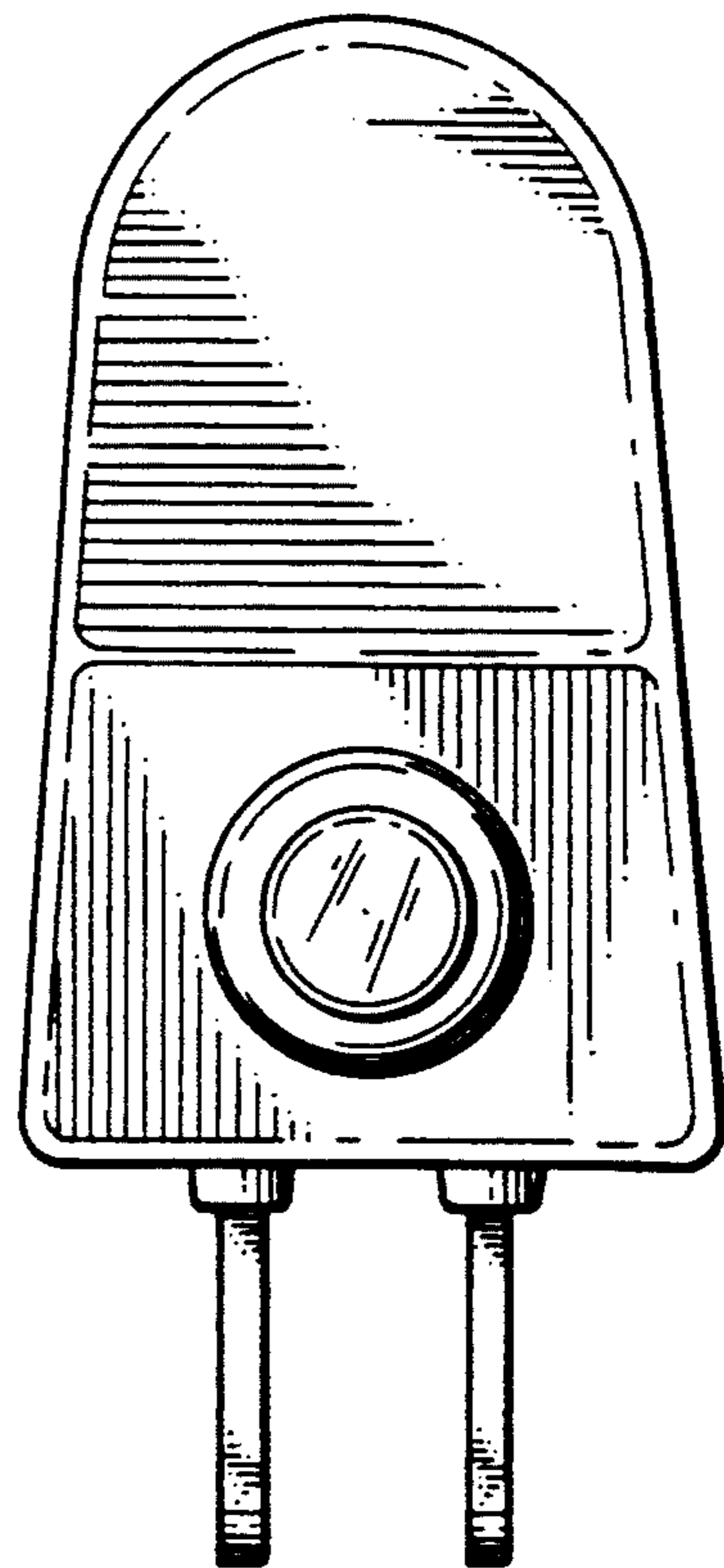


FIG. 4

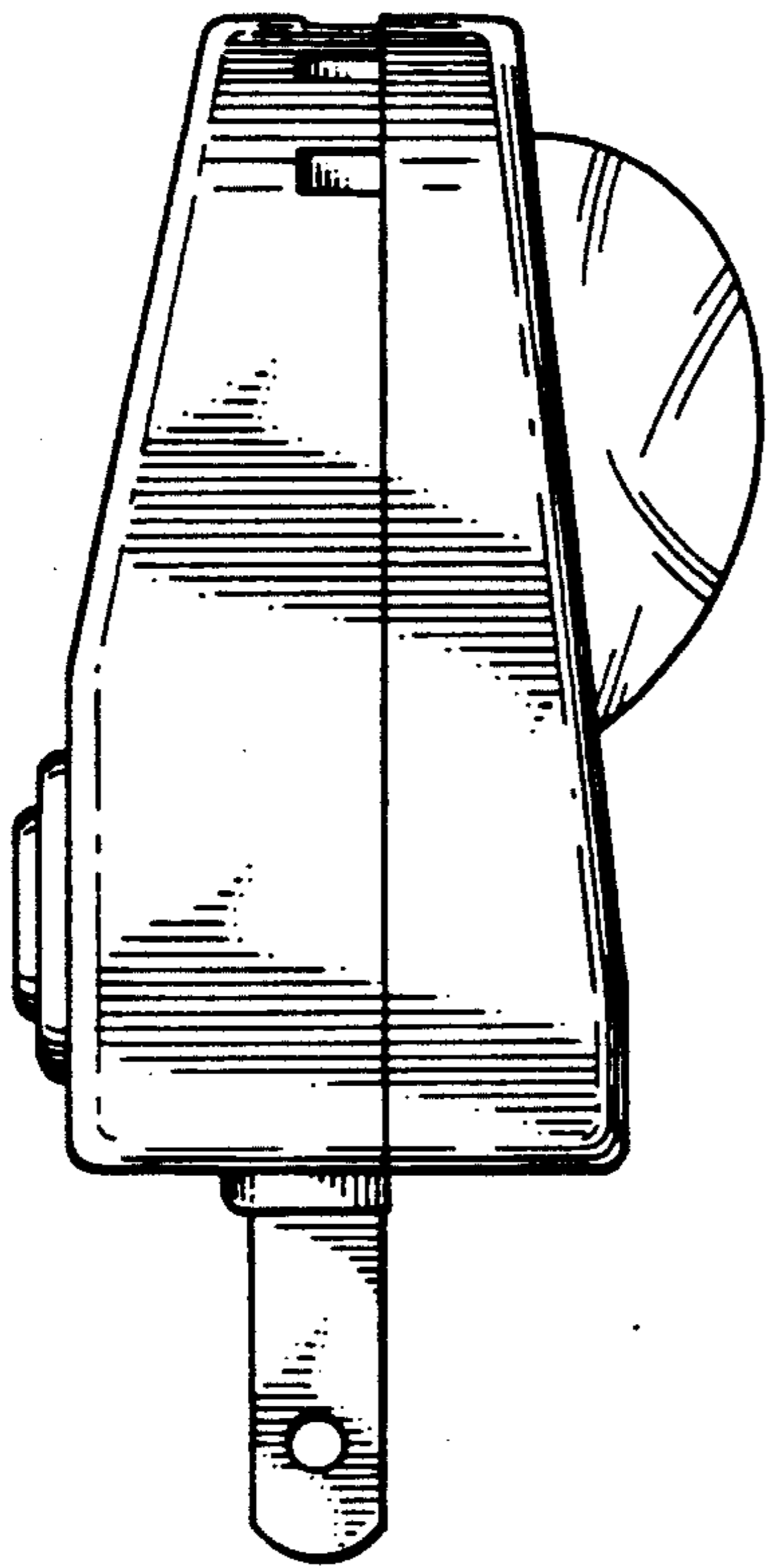


FIG. 5

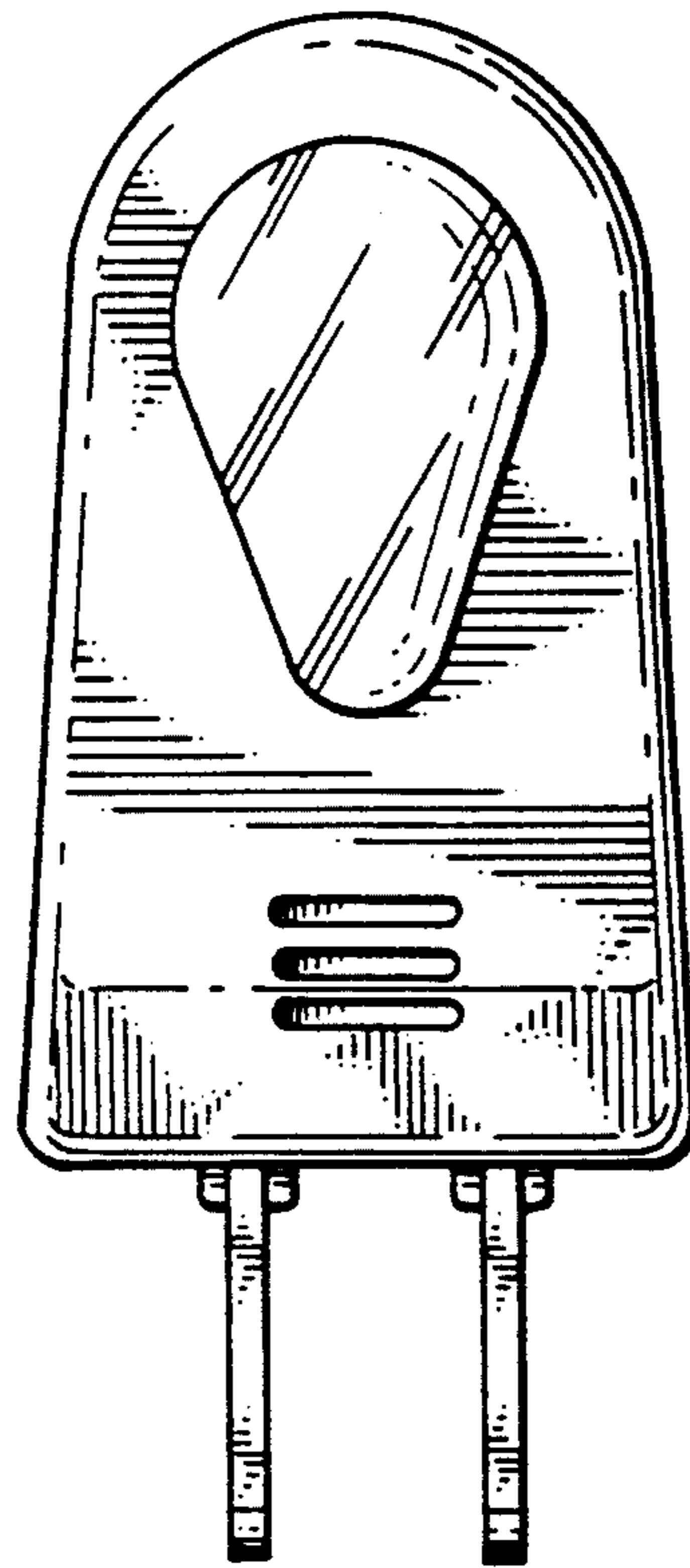


FIG. 6

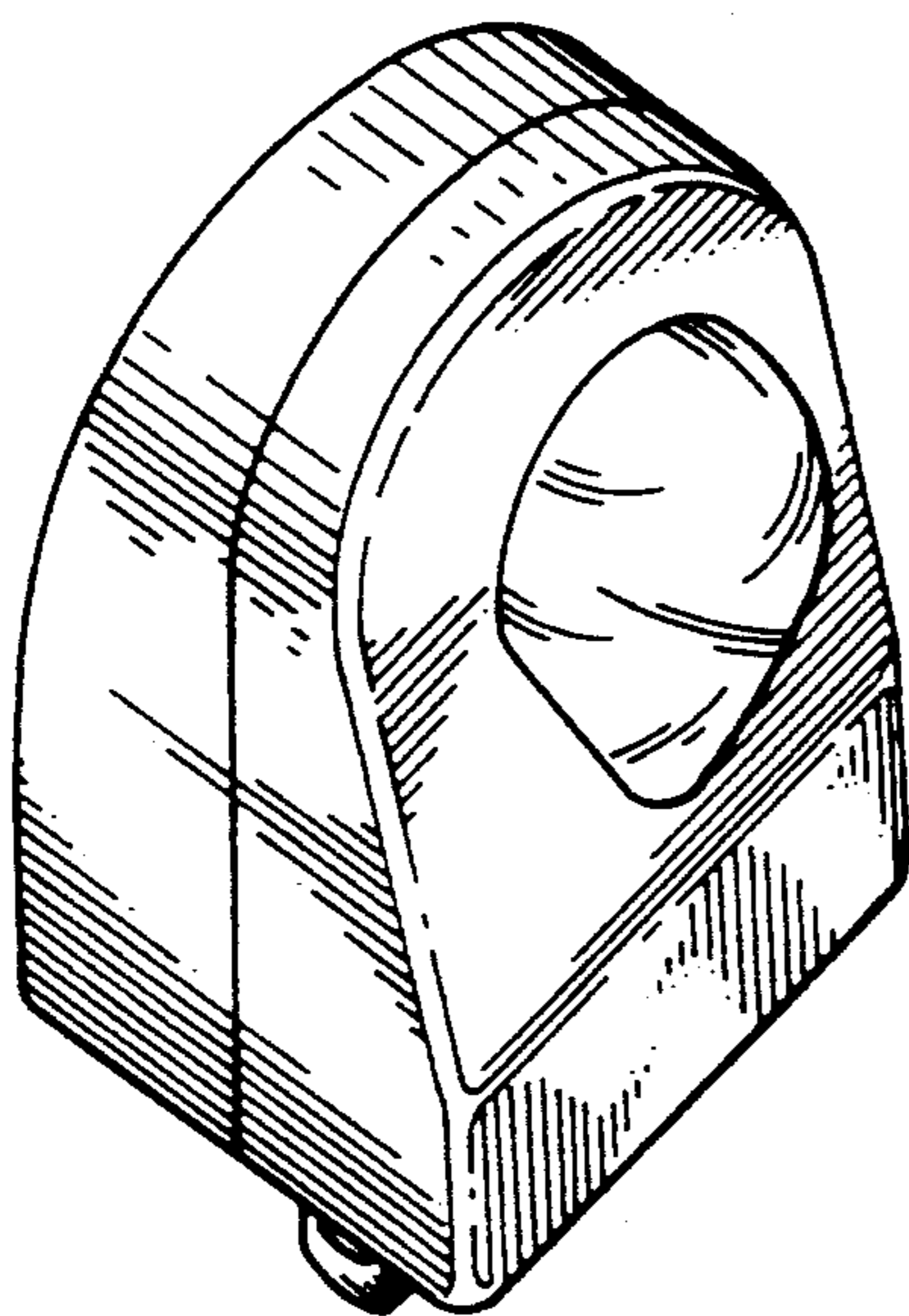


FIG. 8

FIG. 7

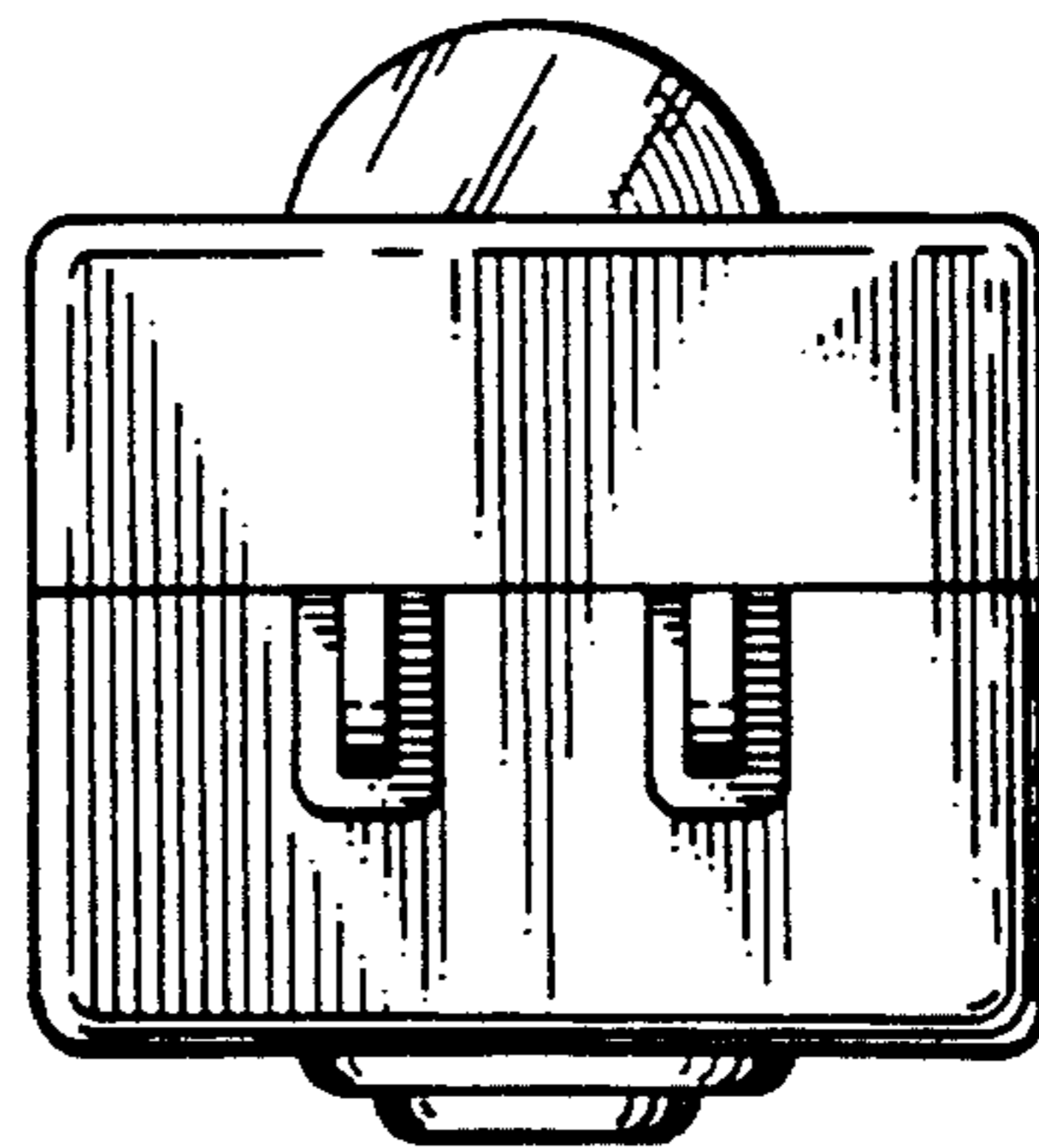


FIG. 9

