



US00D347286S

**United States Patent** [19]  
**Bancroft**

[11] **Patent Number: Des. 347,286**

[45] **Date of Patent: \*\* May 24, 1994**

[54] **UPPER VENT HEAD**

[76] **Inventor: Joseph C. Bancroft, 134 Harmony La., McComb, Miss. 39648**

[\*\*] **Term: 14 Years**

[21] **Appl. No.: 940,835**

[22] **Filed: Sep. 8, 1992**

[52] **U.S. Cl. .... D25/124**

[58] **Field of Search ..... 49/501, 504, DIG. 2; D25/60, 124, 125**

[56] **References Cited**

**U.S. PATENT DOCUMENTS**

D. 226,374	2/1973	Dallaire et al. ....	D25/60
D. 285,611	9/1986	Slocomb, Jr. ....	D25/124
3,473,266	10/1969	Miller ....	49/504
3,796,008	3/1974	Eakin ....	49/504
4,949,506	8/1990	Dorham, Jr. ....	49/DIG. 2

*Primary Examiner*—A. Hugo Word

*Assistant Examiner*—Doris Clark  
*Attorney, Agent, or Firm*—Macdonald J. Wiggins

[57] **CLAIM**

The ornamental design for a upper vent head, as shown and described.

**DESCRIPTION**

FIG. 1 is a fragmentary top perspective view of the upper vent head showing my design;  
FIG. 2 is a top plan view thereof broken away to indicate indeterminate length;  
FIG. 3 is a bottom plan view thereof broken away to indicate indeterminate length;  
FIG. 4 is a front elevational view thereof in which the rear elevational view is a mirror image of the front view;  
FIG. 5 is a right elevational view thereof broken away to indicate indeterminate length; and,  
FIG. 6 is a left elevational view thereof broken away to indicate indeterminate length.

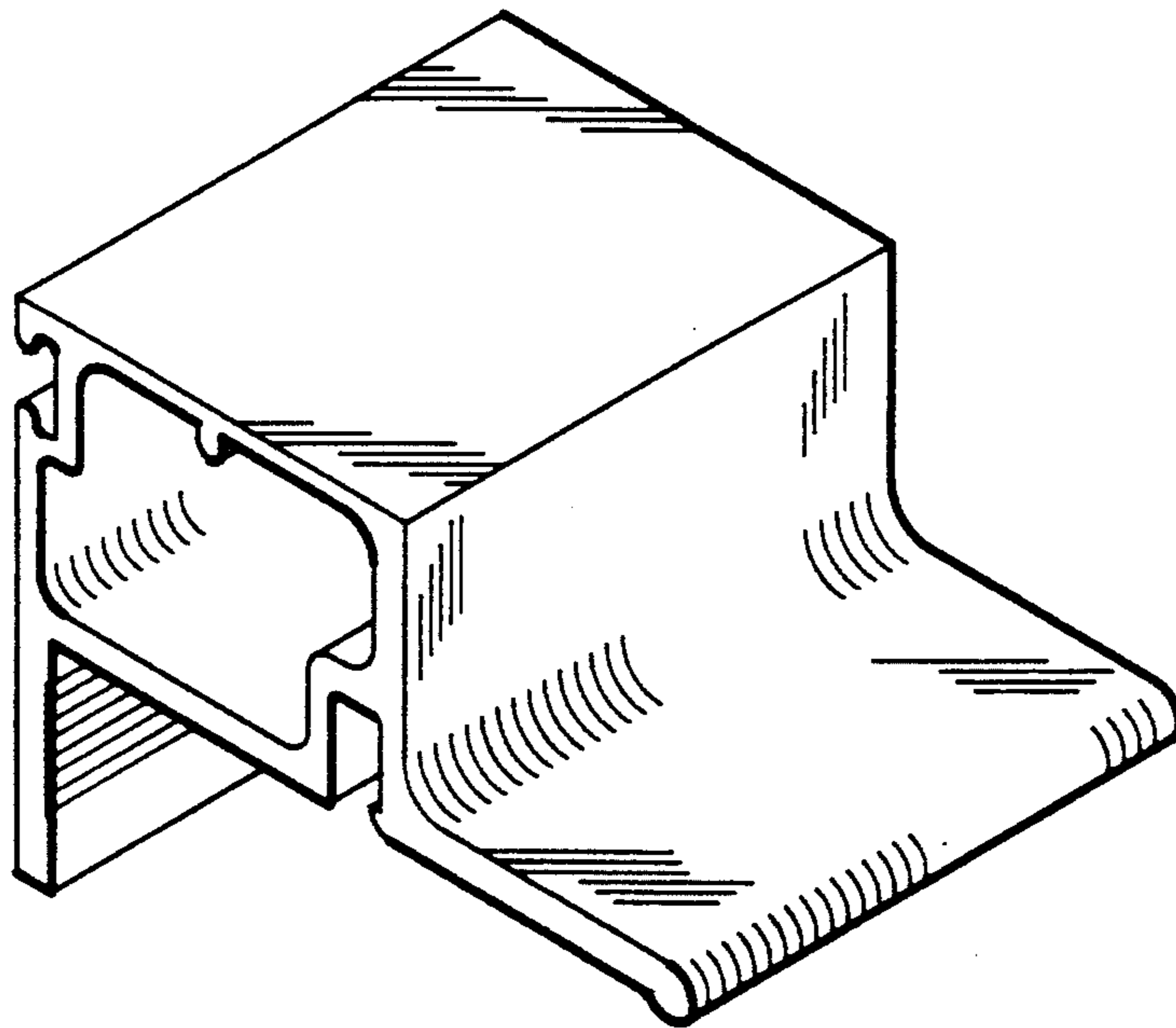


FIG. 1

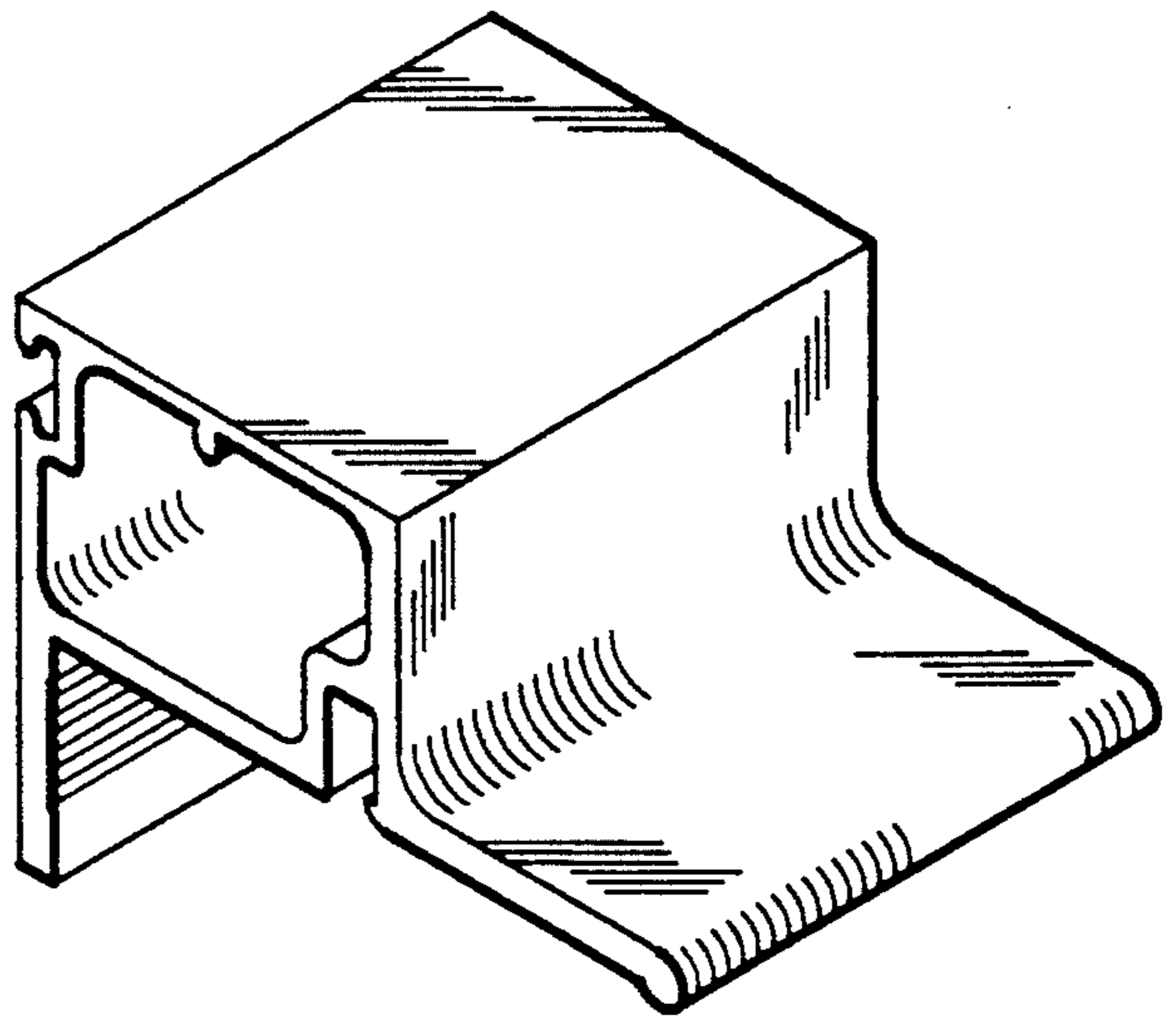


FIG. 2

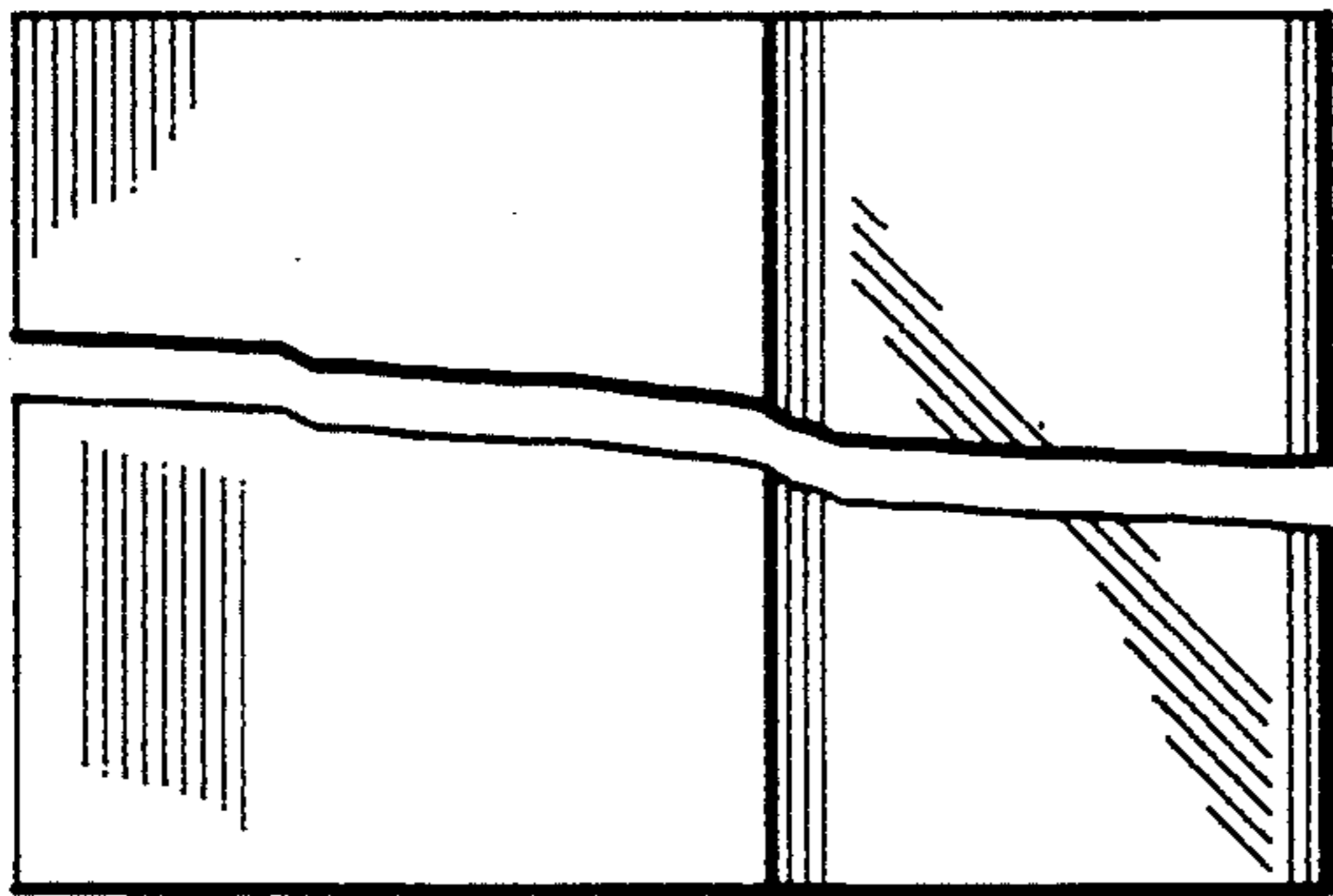


FIG. 3

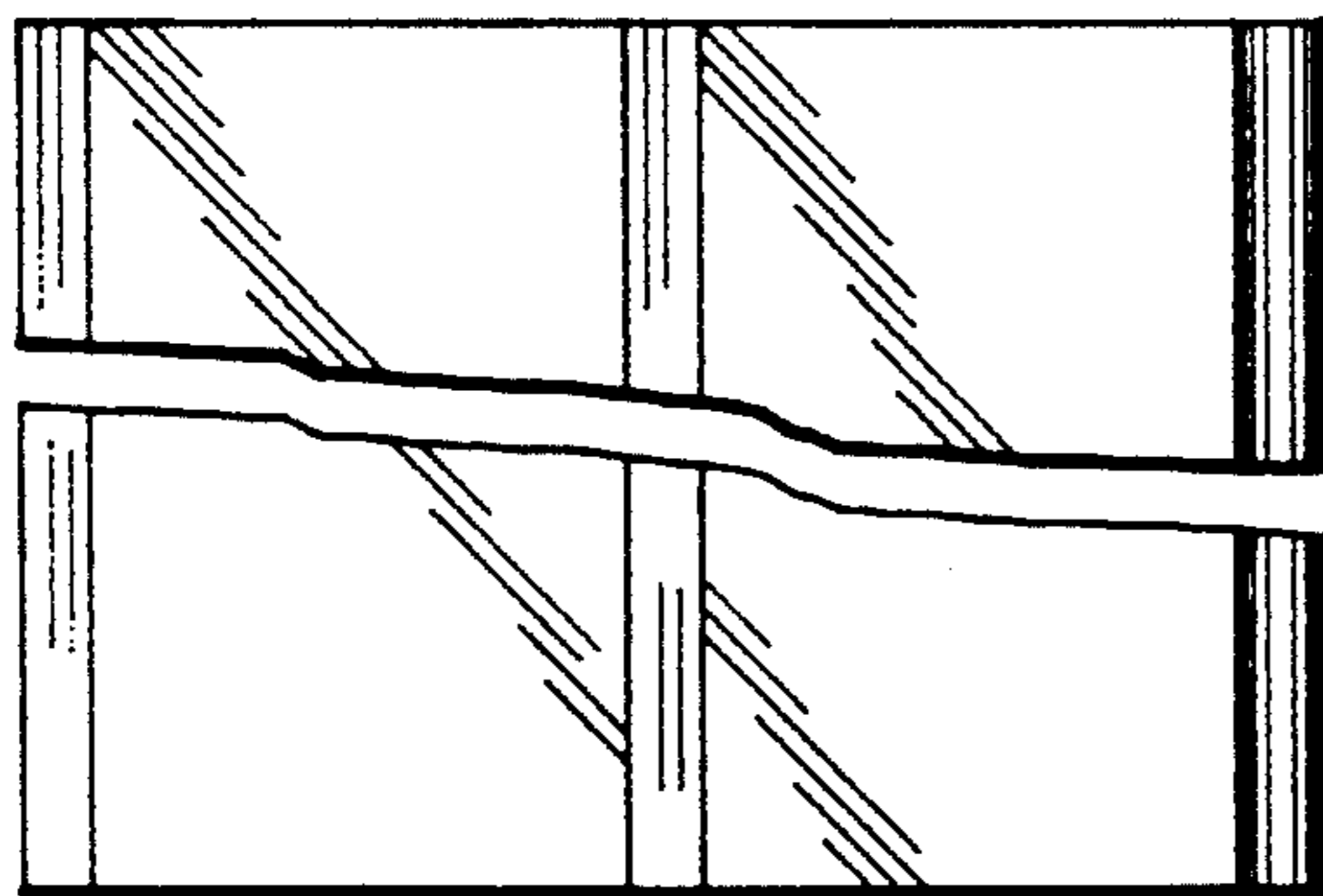


FIG. 4

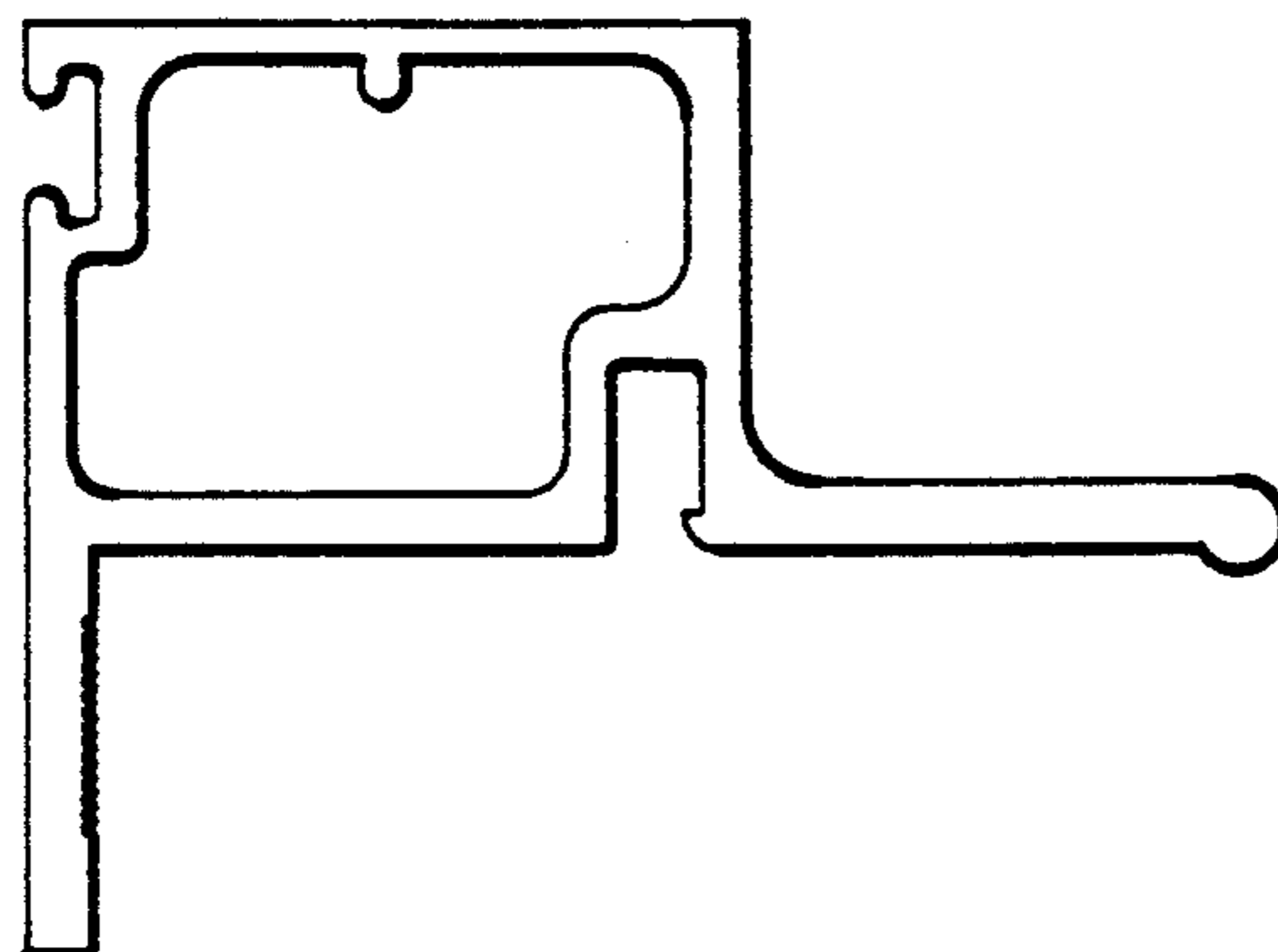


FIG. 5

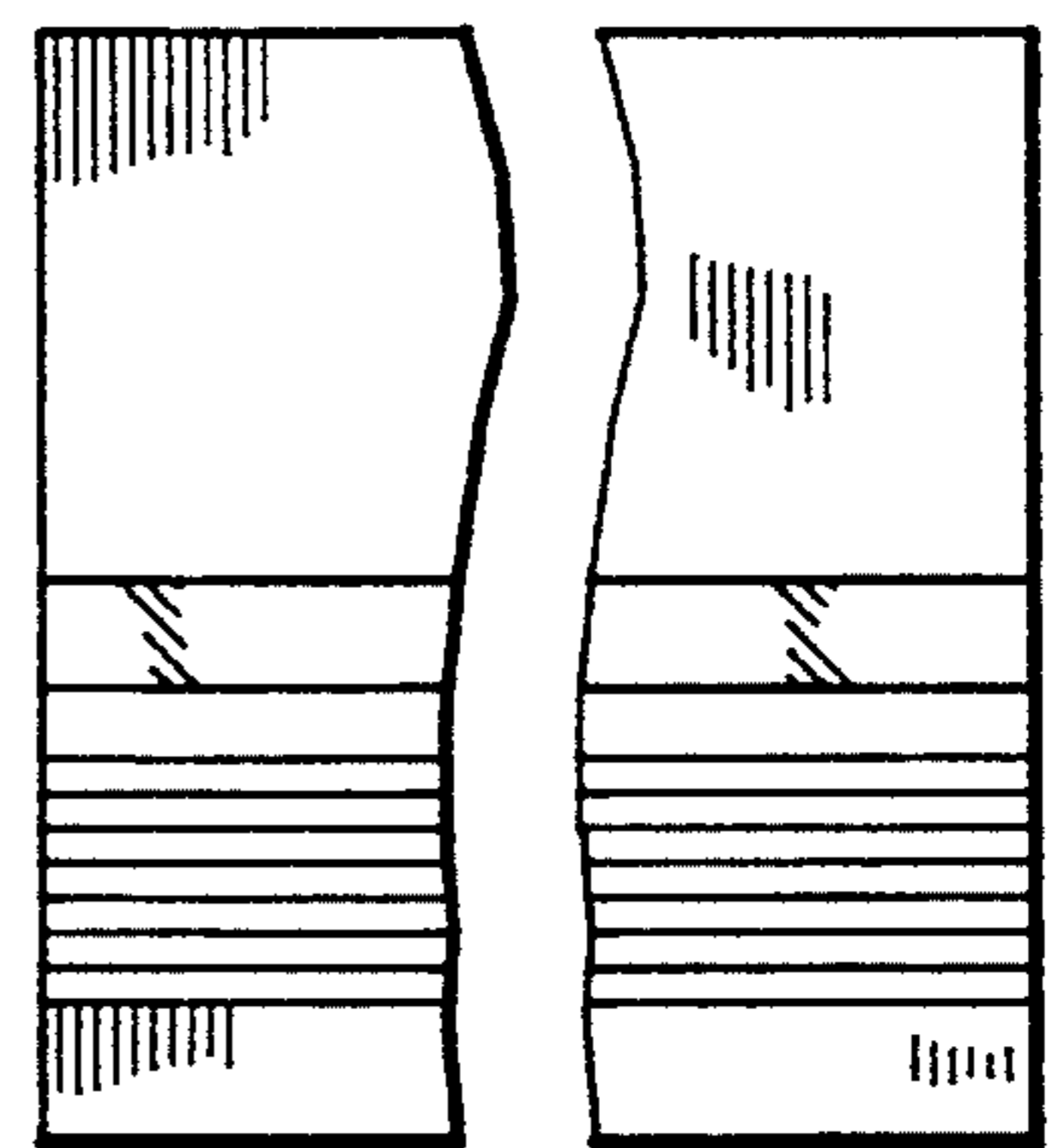


FIG. 6

