



US00D347284S

# United States Patent [19] Brigden

[11] Patent Number: **Des. 347,284**  
[45] Date of Patent: **\*\* May 24, 1994**

[54] **GATE FOR USE IN SUPERMARKETS**

[75] Inventor: **Garry Brigden, Aspley Guise, Great Britain**

[73] Assignee: **CMB Manufacturing Limited, Milton Keynes, England**

[\*\*] Term: **14 Years**

[21] Appl. No.: **889,765**

[22] Filed: **May 29, 1992**

[30] **Foreign Application Priority Data**

Jan. 15, 1992 [GB] United Kingdom ..... 2020209

[52] U.S. Cl. .... **D25/50**

[58] Field of Search ..... 49/46-47,  
49/35; 256/17; D6/462-467; D25/50-51, 43,  
42, 38-39, 44-46

[56] **References Cited**

**U.S. PATENT DOCUMENTS**

D. 235,269 6/1975 Nica ..... D25/51

D. 321,798 11/1991 Buckley ..... D25/43  
1,434,180 10/1922 Woytassek ..... 49/46  
2,054,701 9/1936 Kennedy ..... 49/47  
4,472,909 9/1984 Levy-Joseph ..... 49/46  
4,609,183 9/1986 Ulmer ..... 256/25  
4,811,516 3/1989 Anderson ..... D25/50

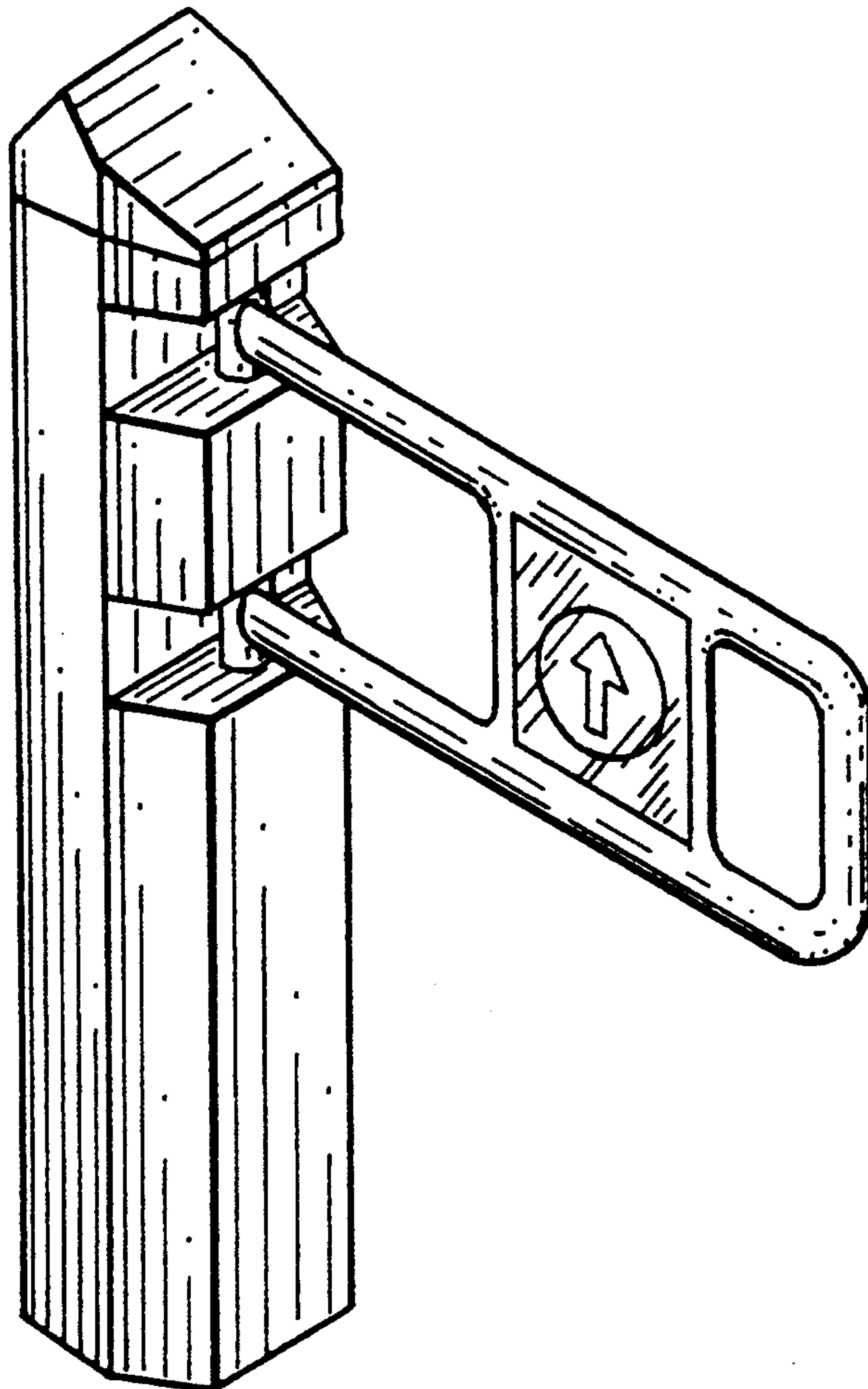
*Primary Examiner*—A. Hugo Word  
*Assistant Examiner*—Doris Clark  
*Attorney, Agent, or Firm*—Oblon, Spivak, McClelland,  
Maier & Neustadt

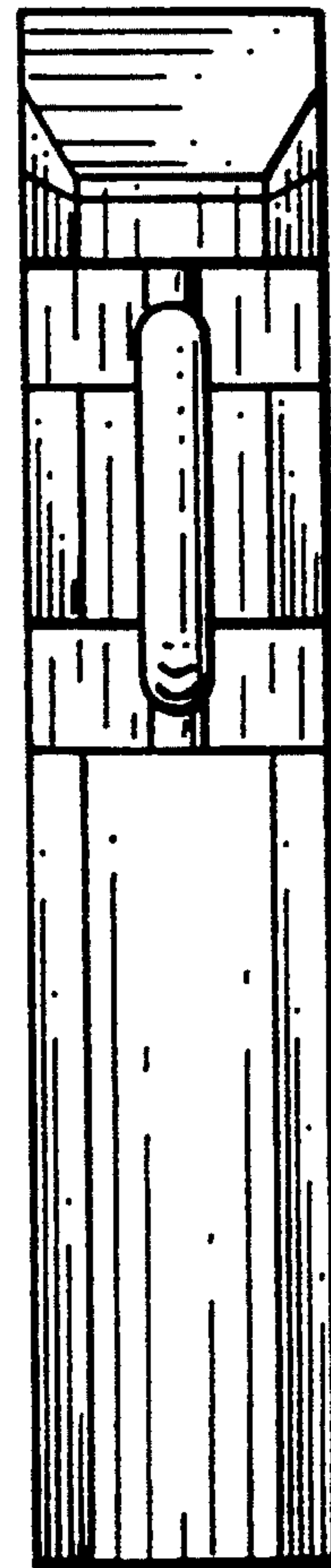
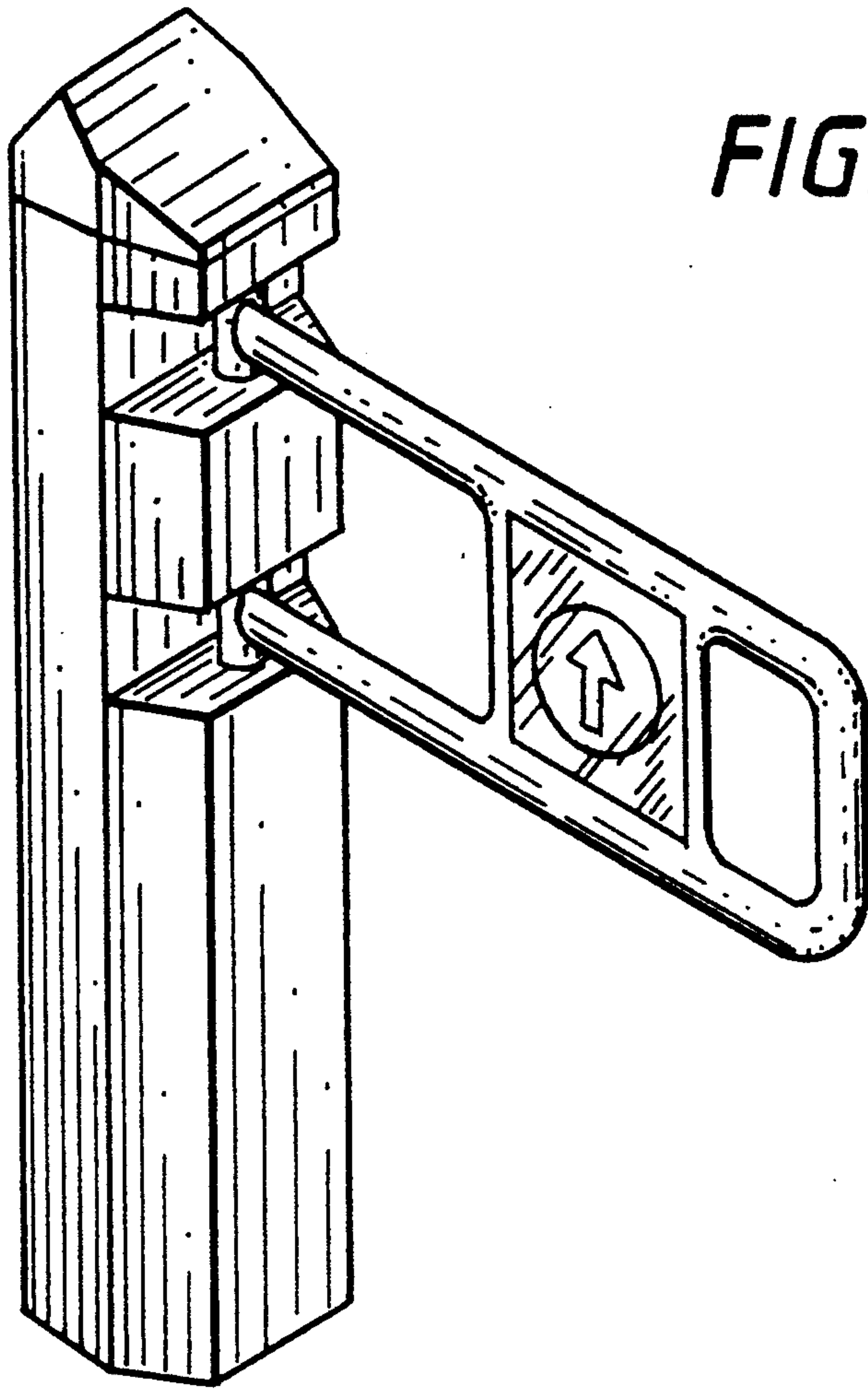
[57] **CLAIM**

The ornamental design for a gate for use in supermarkets, as shown and described.

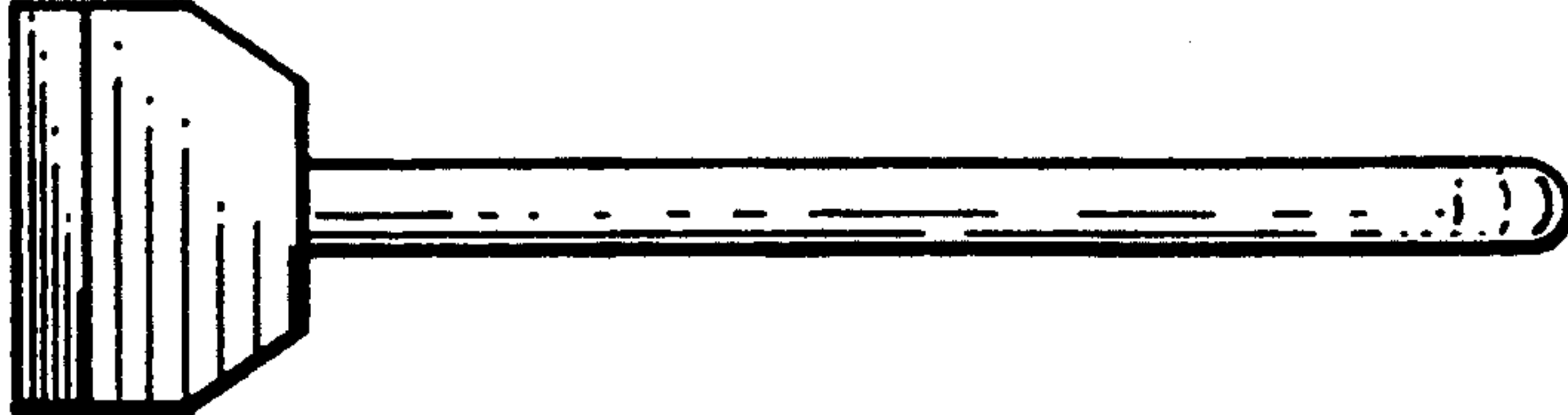
**DESCRIPTION**

FIG. 1 is a perspective view of a gate for use in supermarkets showing my new design; FIG. 2 is a front elevational thereof; FIG. 3 is a top plan view thereof; FIG. 4 is a side elevational view thereof; and, FIG. 5 is an elevational view of the side thereof opposite the side shown in FIG. 4.

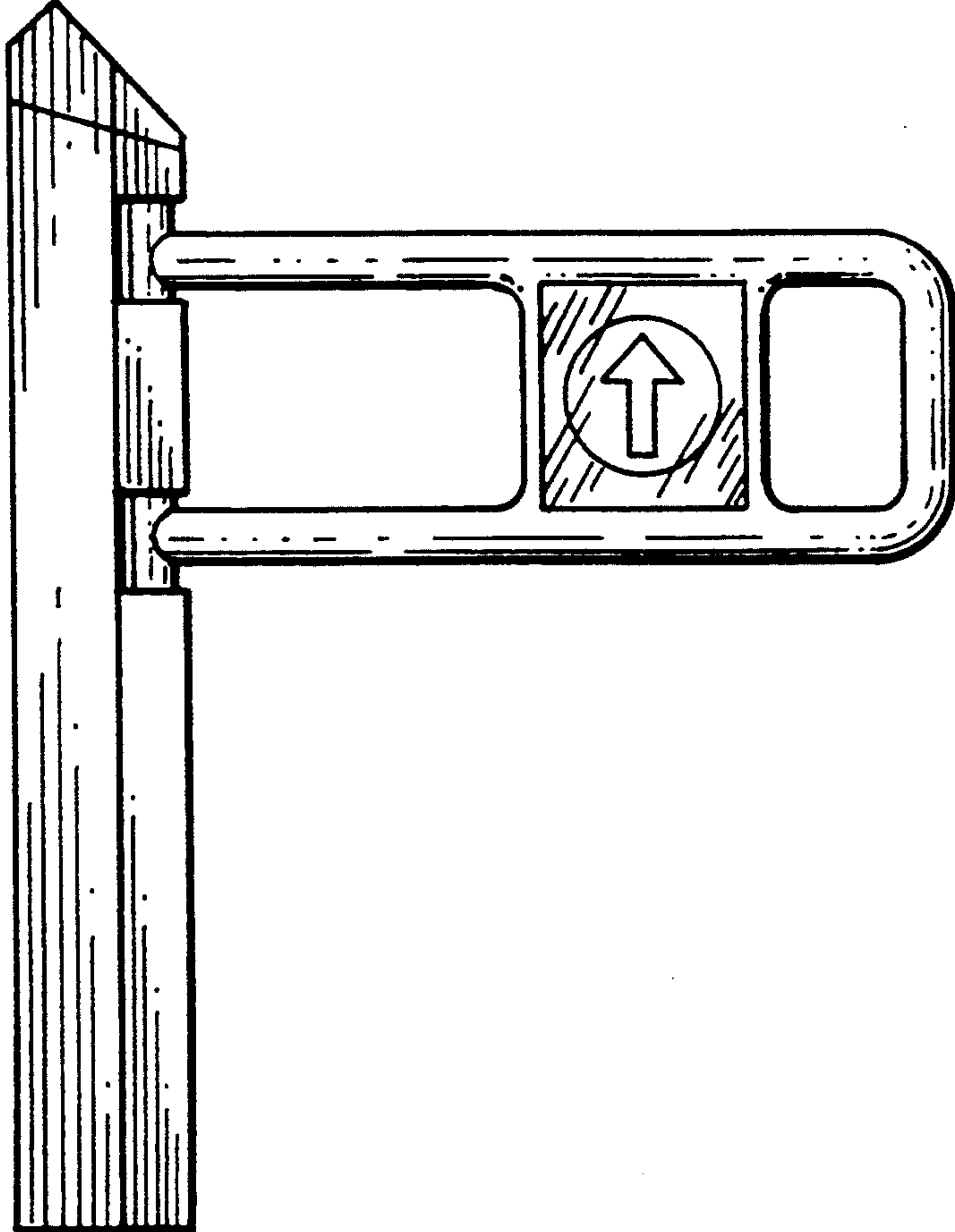




*FIG. 3*



*FIG. 4*



*FIG. 5*

