



US00D347281S

# United States Patent [19]

[11] Patent Number: **Des. 347,281**

Cohen

[45] Date of Patent: **\*\* May 24, 1994**

[54] THERAPEUTIC PAD FOR ALLEVIATION OF HEADACHES AND RELATED PAIN

4,944,289 7/1990 Matthews ..... D24/200 X

[76] Inventor: **Gary M. Cohen**, 9694 Sun Pointe Dr., Boynton Beach, Fla. 33437

*Primary Examiner*—Stella Reid  
*Attorney, Agent, or Firm*—M. K. Silverman

[\*\*] Term: **14 Years**

[57] **CLAIM**

[21] Appl. No.: **5,545**

The ornamental design for a therapeutic pad for alleviation of headaches and related pain, as shown and described.

[22] Filed: **Mar. 5, 1993**

[52] U.S. Cl. .... **D24/206**

**DESCRIPTION**

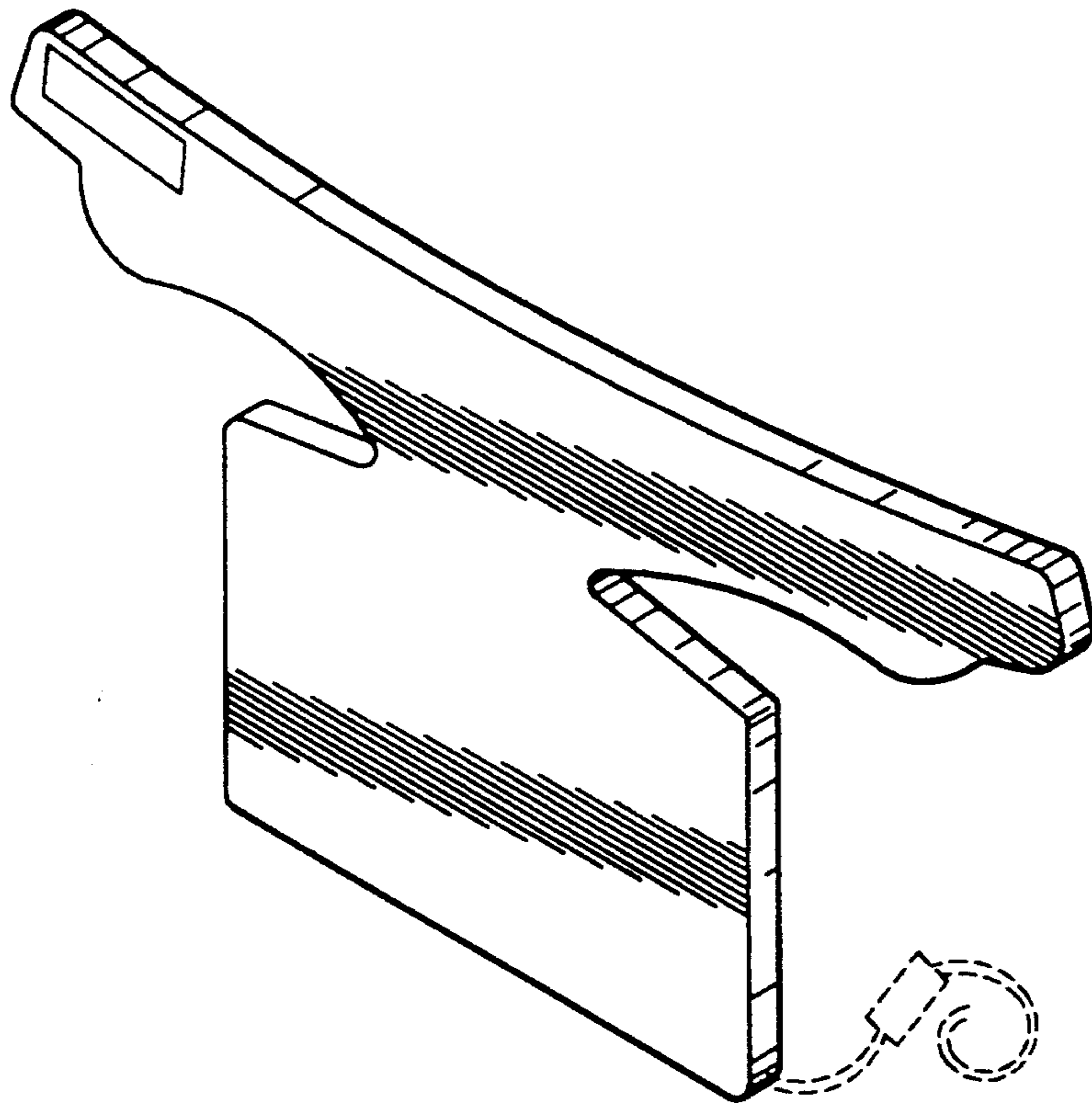
[58] Field of Search ..... 607/108, 109, 110; 602/74; D24/206, 207, 189-191

FIG. 1 is a perspective view of the inventive design; FIG. 2 is a front view thereof in which the back is a mirror image; FIG. 3 is a left side view thereof, in which the right side is a mirror image; FIG. 4 is a top view of the design for the therapeutic pad; and, FIG. 5 is a bottom view thereof.

[56] **References Cited**

**U.S. PATENT DOCUMENTS**

- 3,159,160 12/1964 Ullom ..... 607/109 X
- 4,570,635 2/1986 Henig ..... 607/109
- 4,781,193 11/1988 Pagden ..... 607/109 X



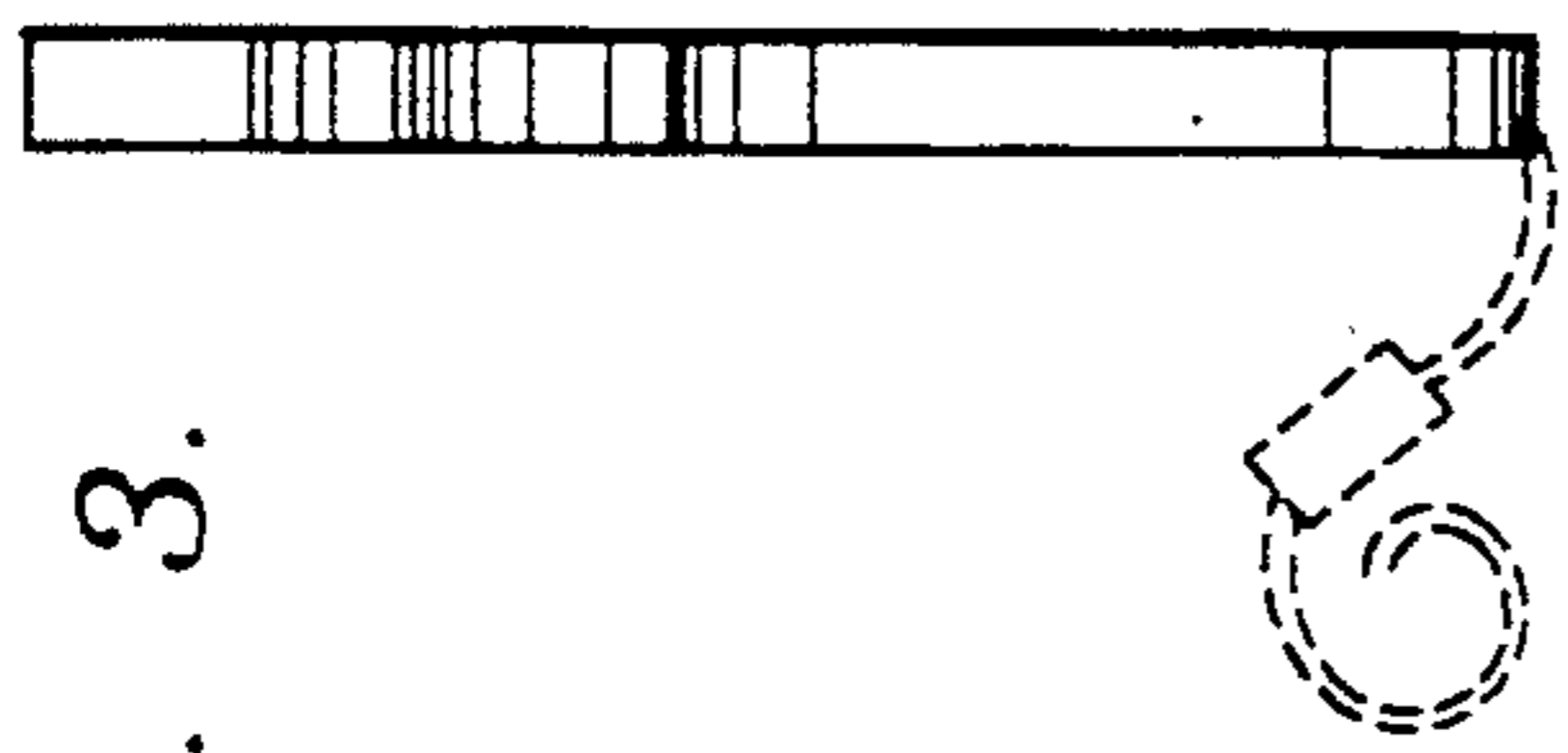


FIG. 3.

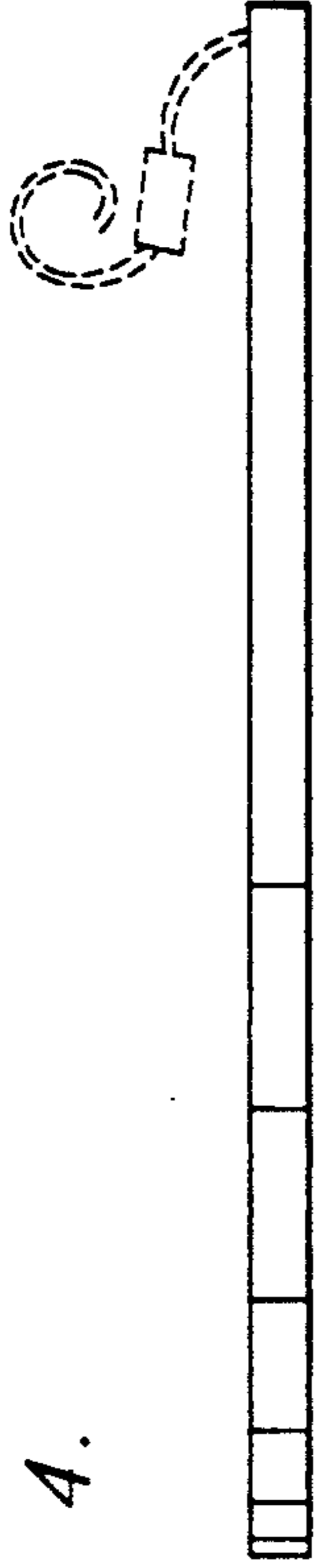


FIG. 4.

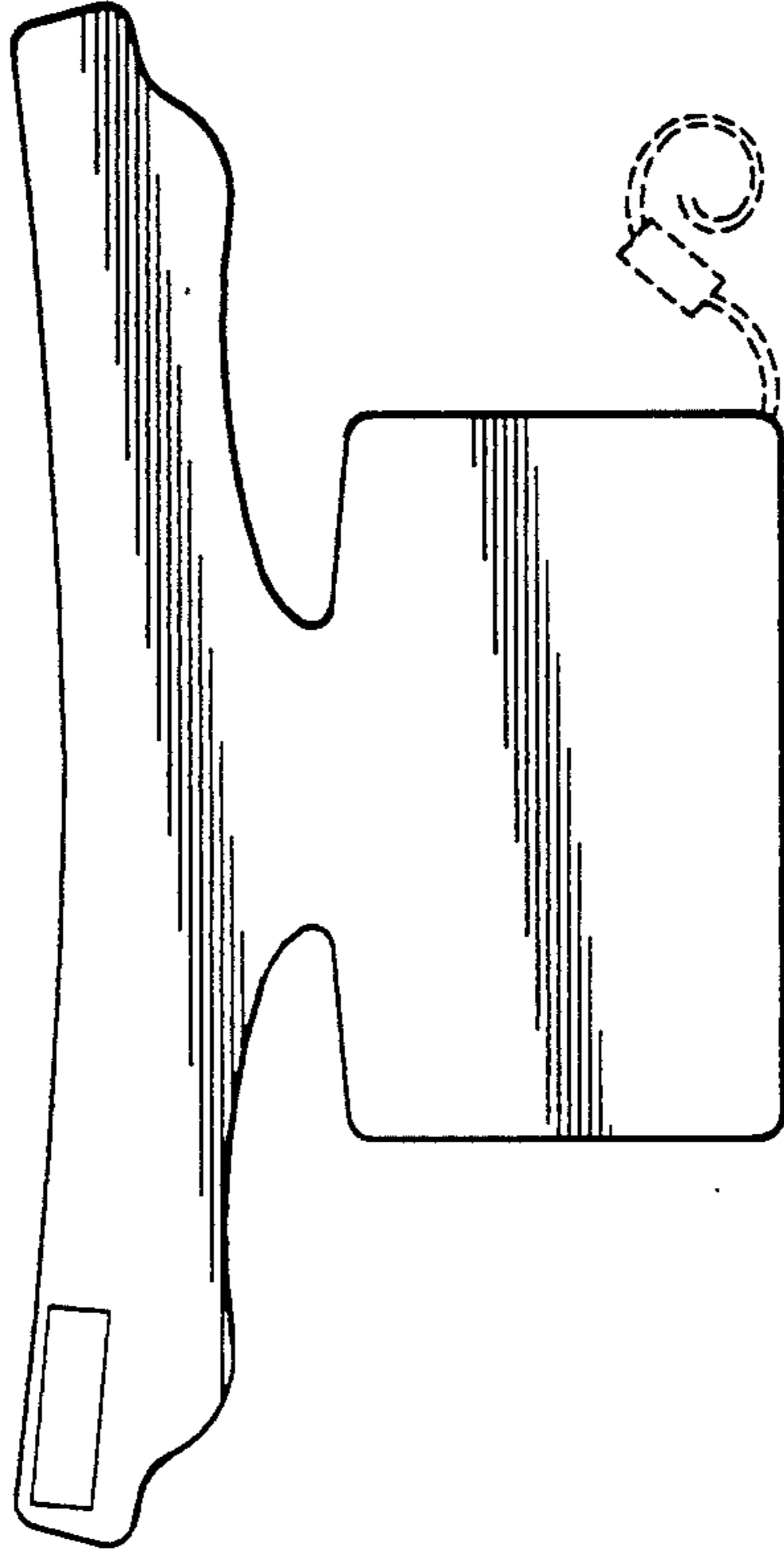


FIG. 2.

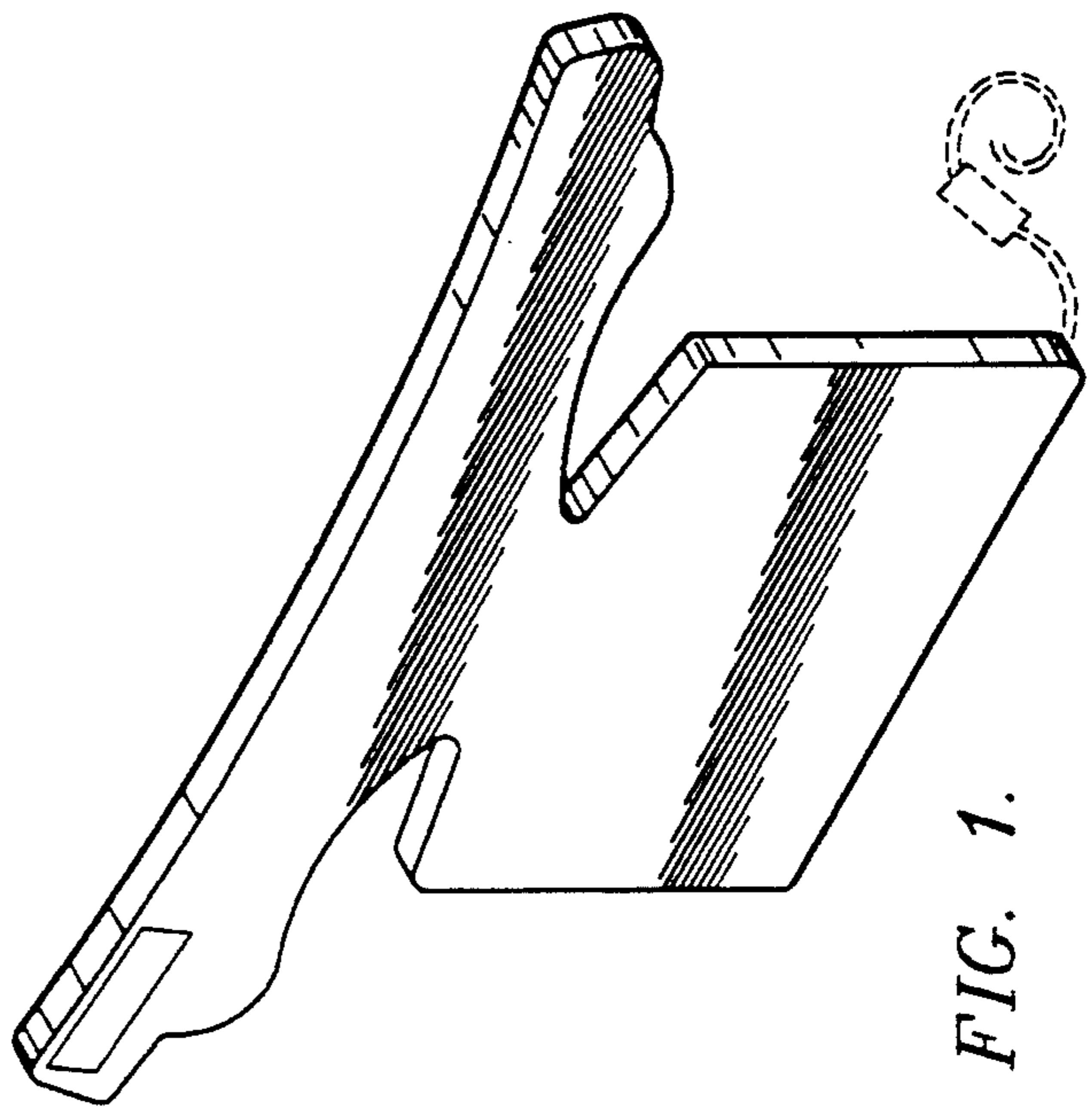


FIG. 1.

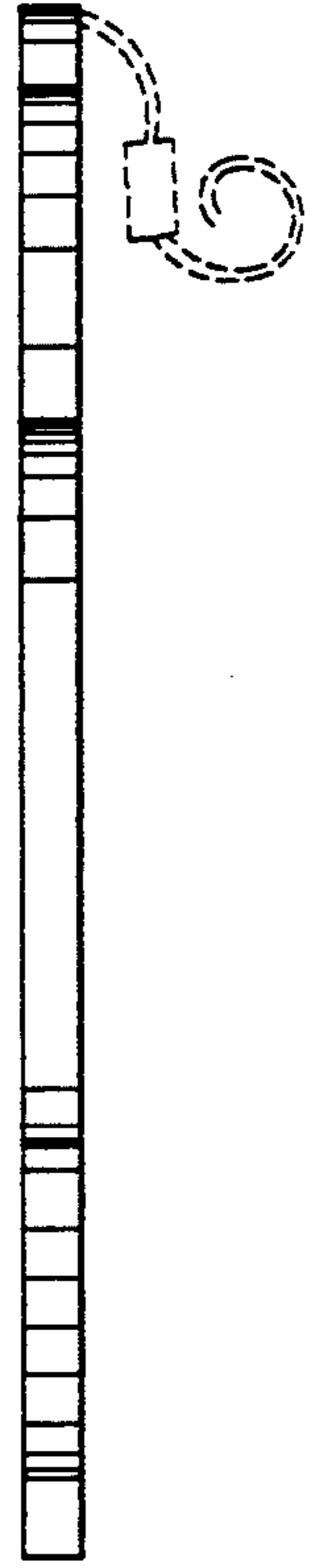


FIG. 5.