



US00D347280S

# United States Patent [19]

[11] Patent Number: **Des. 347,280**

Herrington et al.

[45] Date of Patent: **\*\* May 24, 1994**

## [54] PHLEBOTOMIST PROTECTOR

[75] Inventors: **Eldridge P. Herrington**, West Covina; **Richard Spielberg**, Alameda, both of Calif.

[73] Assignee: **Miles Inc.**, Berkeley, Calif.

[\*\*] Term: **14 Years**

[21] Appl. No.: **782,146**

[22] Filed: **Oct. 28, 1991**

[52] U.S. Cl. .... **D24/130**

[58] Field of Search ..... 604/192, 198; 128/763; 206/364, 365, 366; 220/4.23; D3/30.1, 74; D24/130, 131

## [56] References Cited

### U.S. PATENT DOCUMENTS

1,156,762	10/1915	Dickinson	206/366 X
3,133,635	5/1964	Gordon et al.	206/366
3,489,268	1/1970	Meierhoefer	206/366
3,642,123	2/1972	Knox	206/365
3,727,749	4/1973	Martin	206/366
4,979,616	12/1990	Clanton	206/364
5,024,326	6/1991	Sandel et al.	D24/131 X
5,090,564	2/1992	Chimienti	220/4.23 X
5,156,267	10/1992	Yates, Jr. et al.	206/364

Primary Examiner—Stella Reid  
Assistant Examiner—I. Simmons  
Attorney, Agent, or Firm—Elizabeth F. Enayati

## [57] CLAIM

The ornamental design for phlebotomist protector, as shown and described.

## DESCRIPTION

FIG. 1 is a perspective view of a phlebotomist protector showing our new design in open position; the broken line showing of the needle is for illustrative purposes only and forms no part of the claimed design;

FIG. 2 is a perspective view of the phlebotomist protector, in closed position;

FIG. 3 is a left side elevation view of the phlebotomist protector, in open position;

FIG. 4 is an end elevation view of the phlebotomist protector;

FIG. 5 is a right side elevation view of the phlebotomist protector;

FIG. 6 is an end elevation view of the phlebotomist protector, opposite that shown in FIG. 4;

FIG. 7 is a top plan view of the phlebotomist protector;

FIG. 8 is a bottom plan view of the phlebotomist protector;

FIG. 9 is a left side elevation view of the phlebotomist protector, shown in closed position;

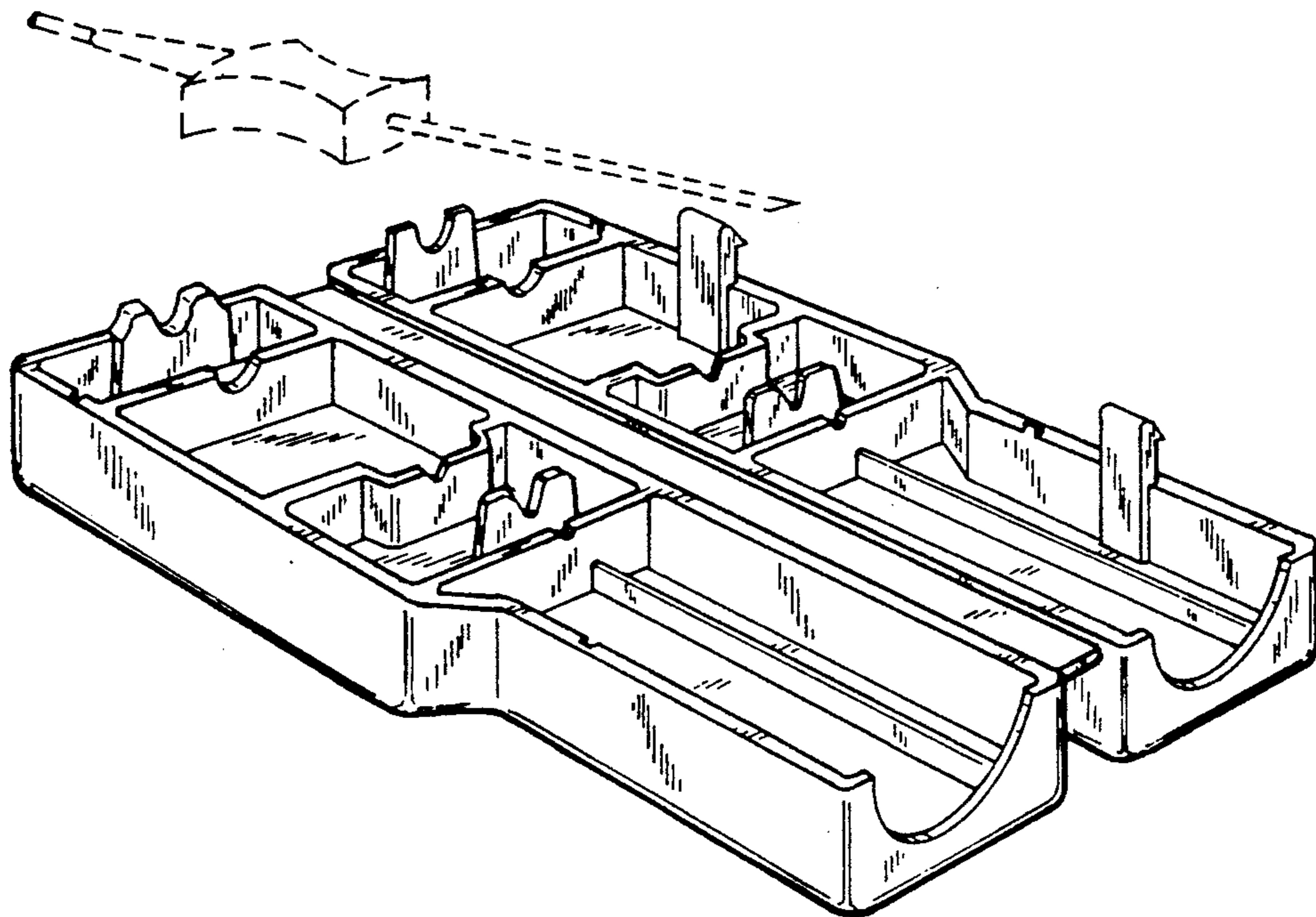
FIG. 10 is an end elevation view of the phlebotomist protector;

FIG. 11 is a right side elevation view of the phlebotomist protector;

FIG. 12 is an end elevation view of the phlebotomist protector, opposite that shown in FIG. 10;

FIG. 13 is a top plan view of the phlebotomist protector, the bottom plan view being identical thereto; and,

FIG. 14 is a second embodiment of the phlebotomist protector shown in closed position; all other views of said second embodiment are identical to corresponding views of the earlier presented embodiment.



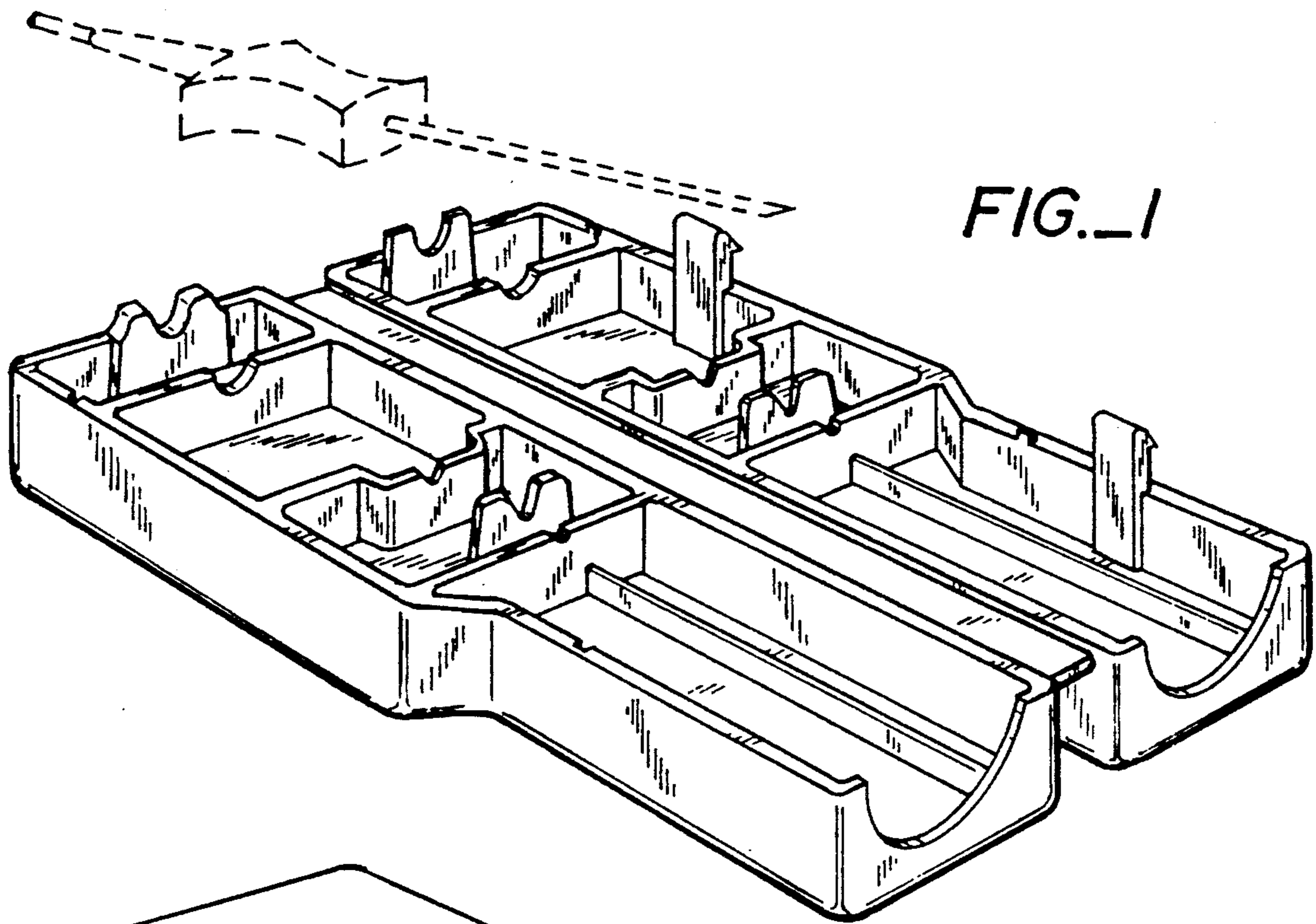


FIG. 1

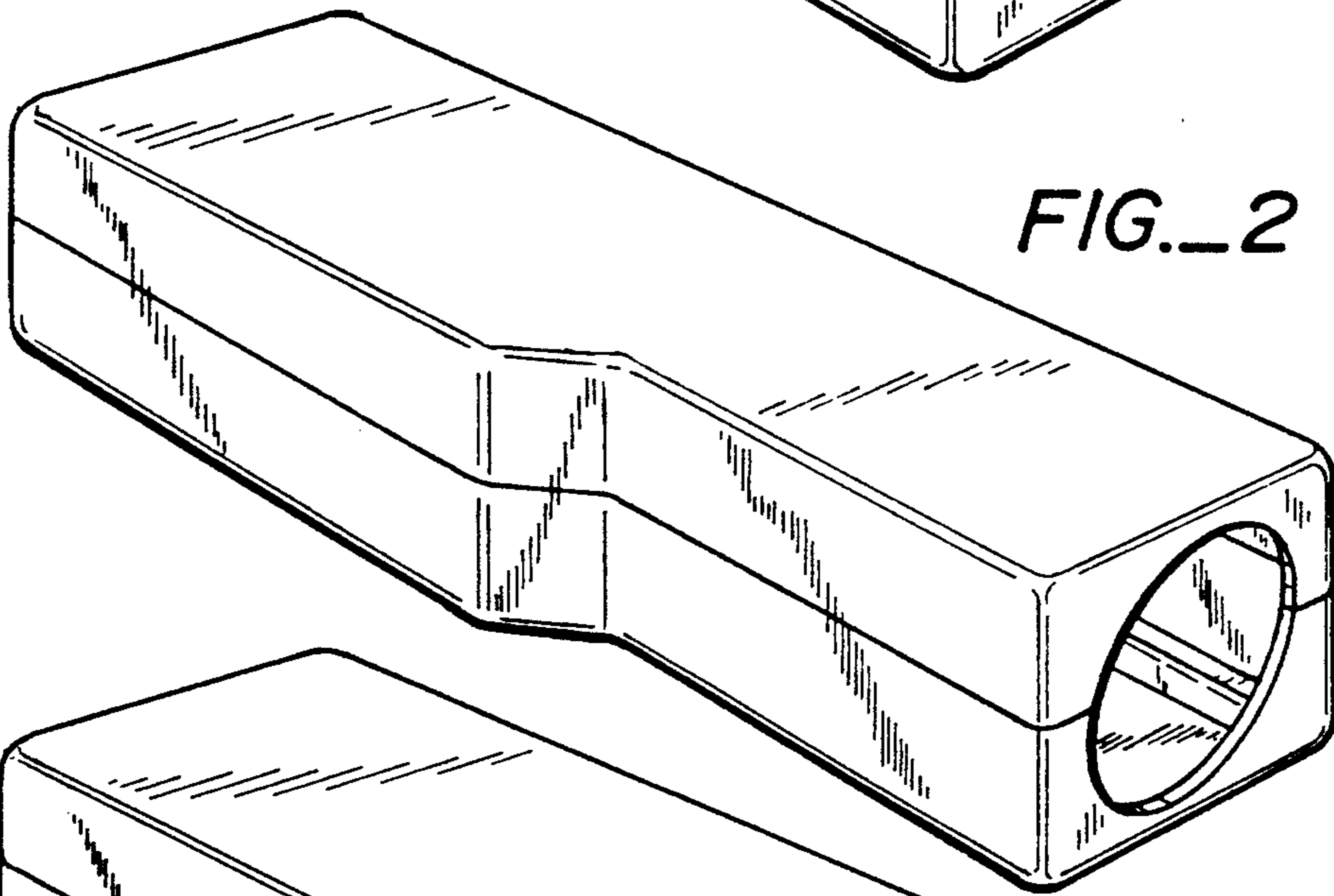


FIG. 2

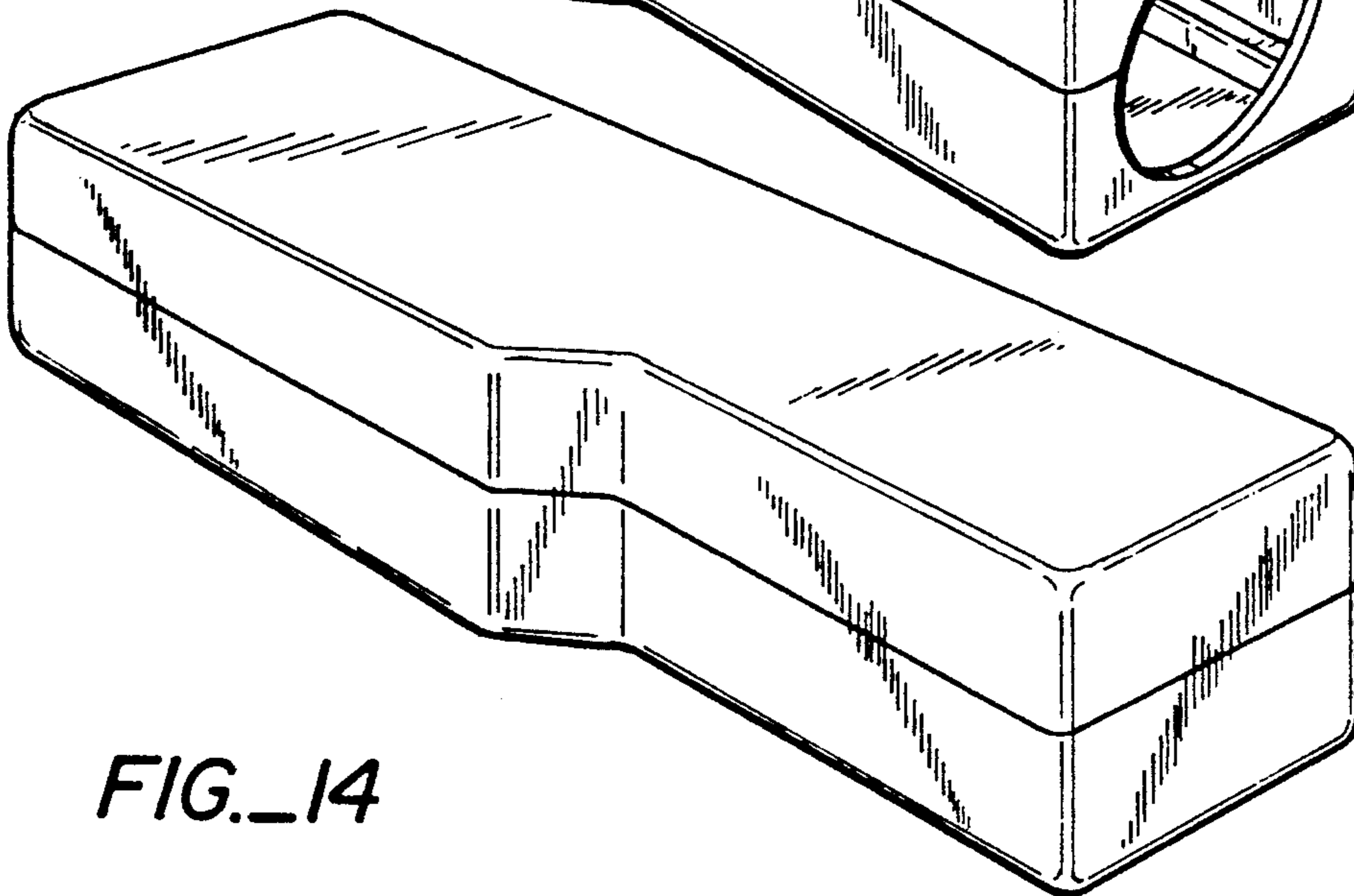


FIG. 14

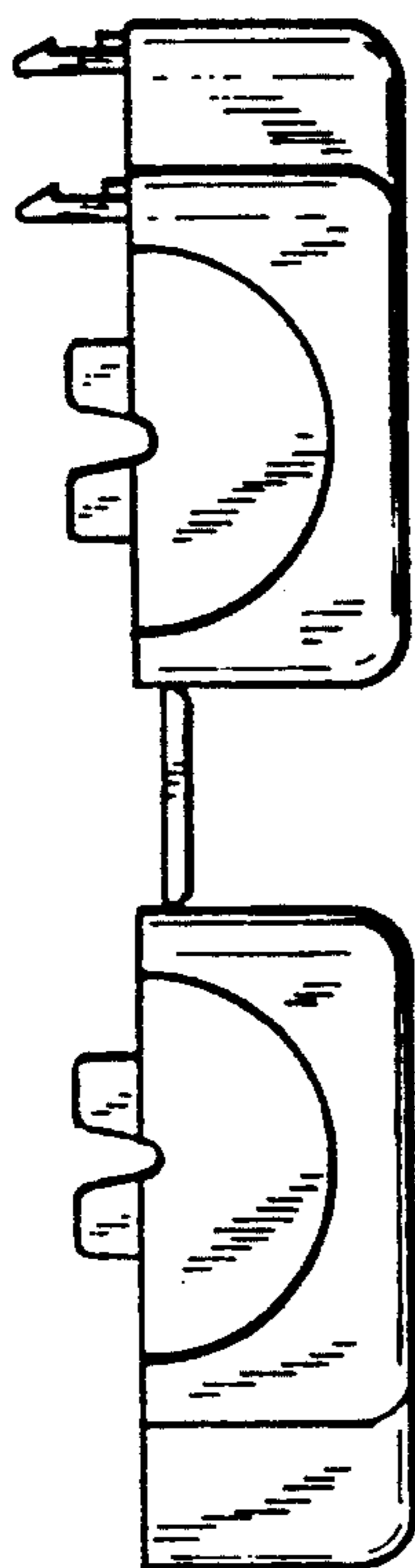


FIG.-4

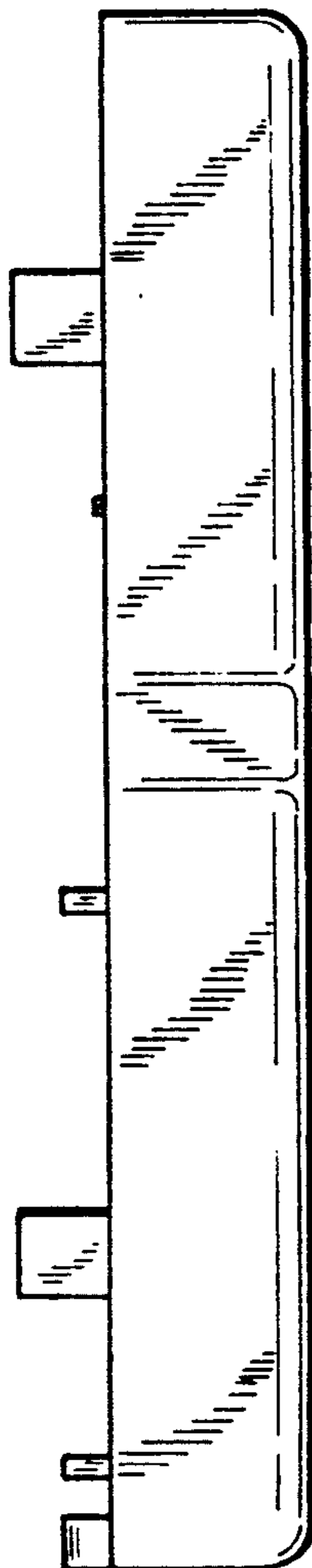


FIG.-3

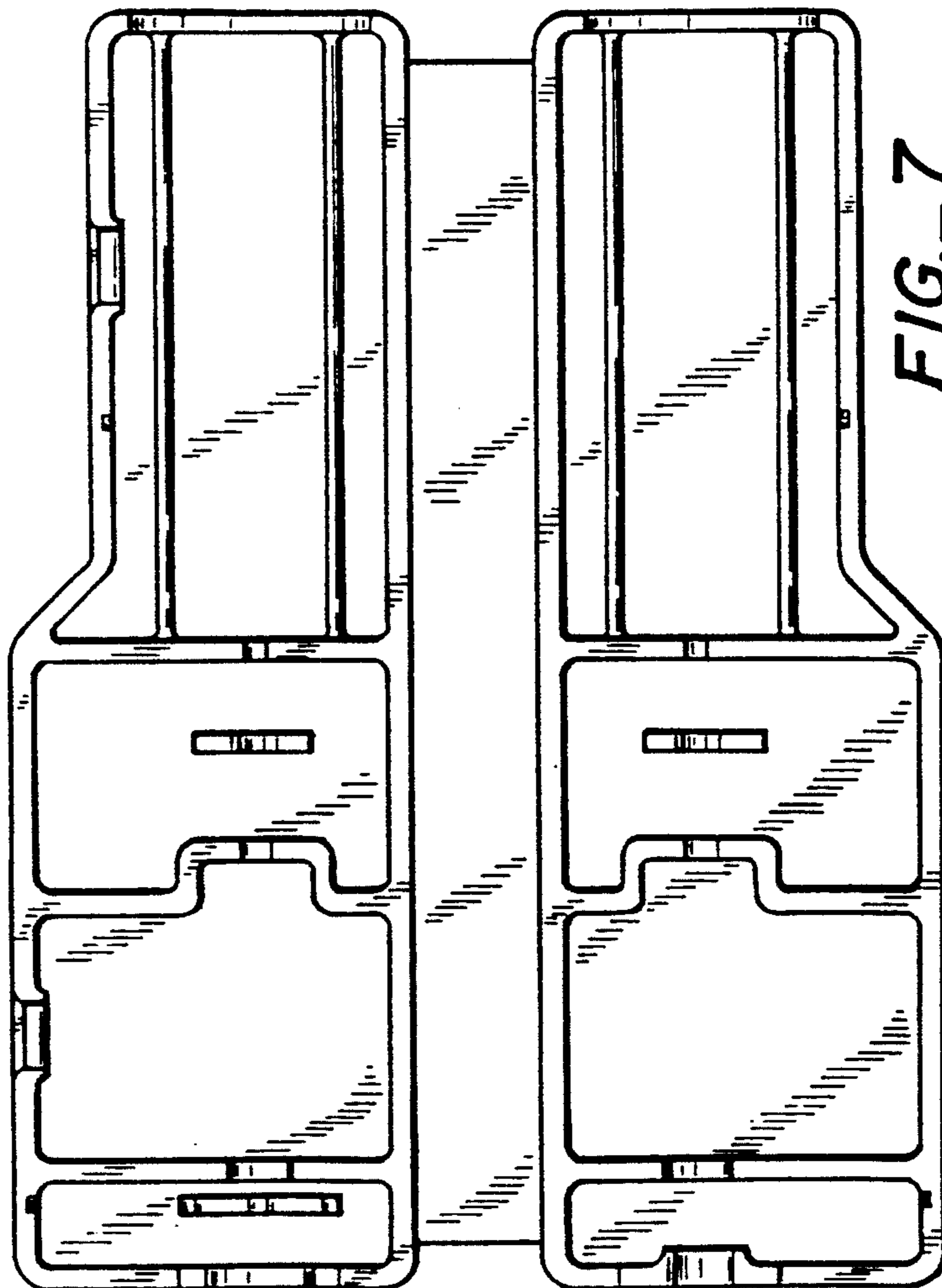


FIG.-7

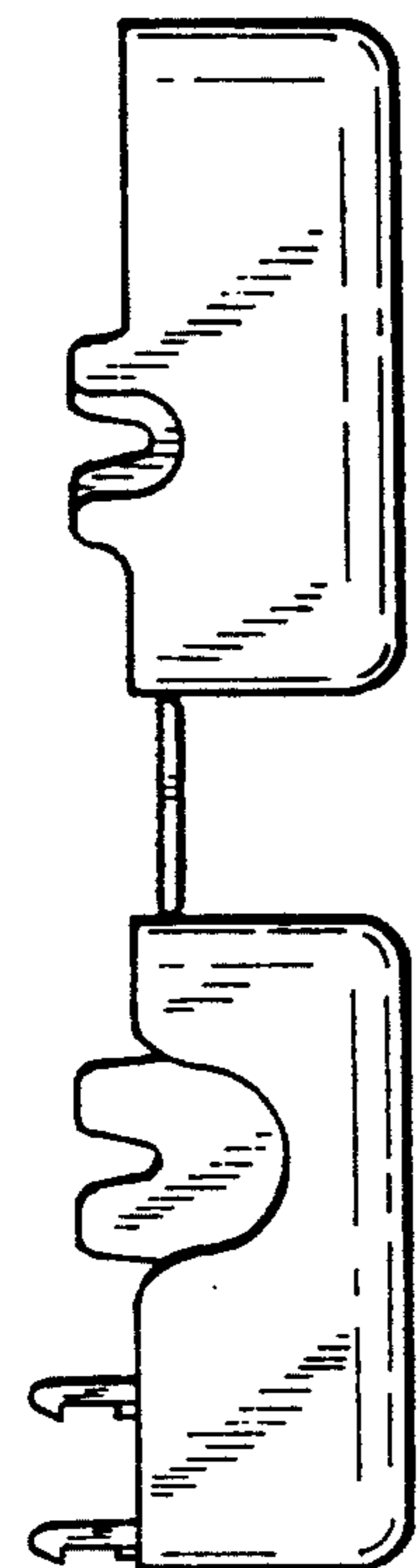


FIG.-6

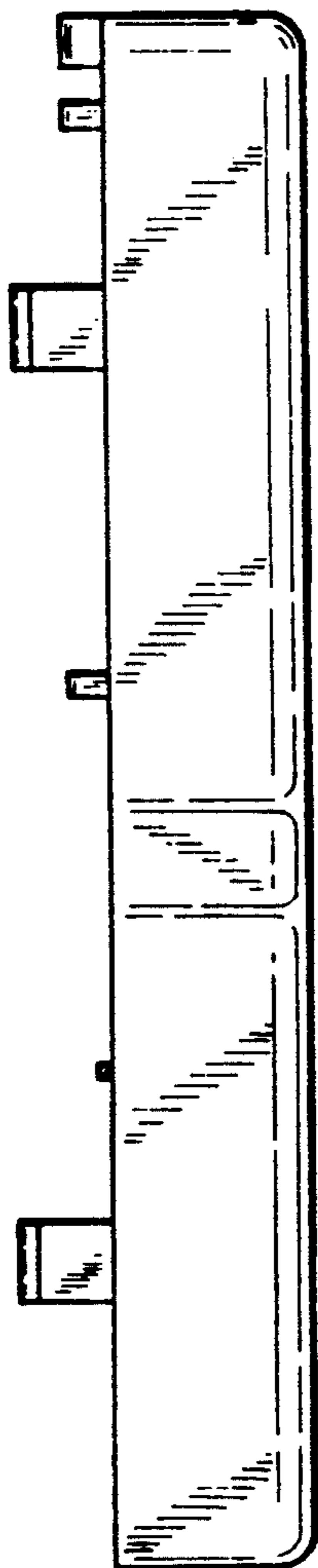


FIG.-5

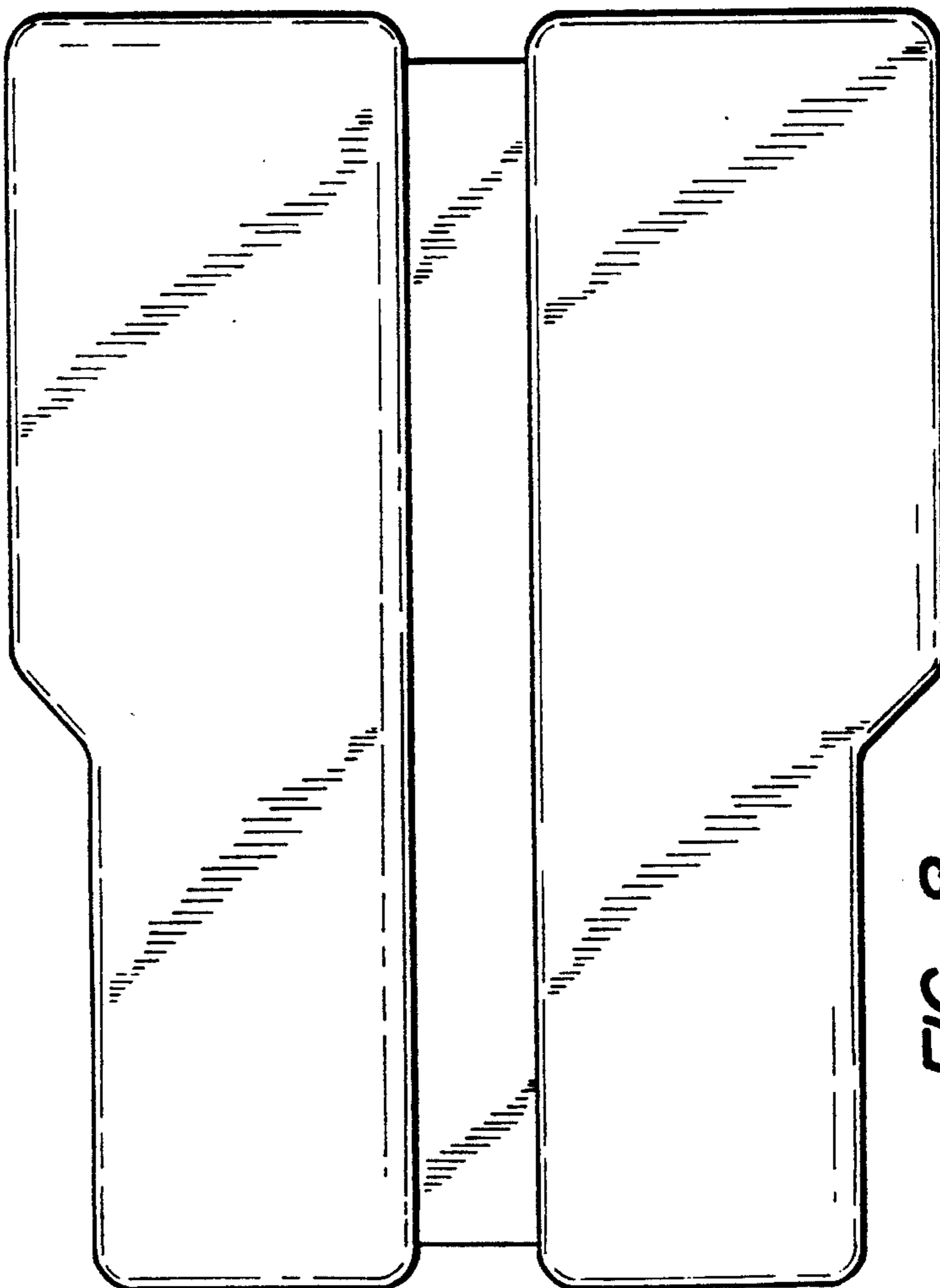


FIG.-8

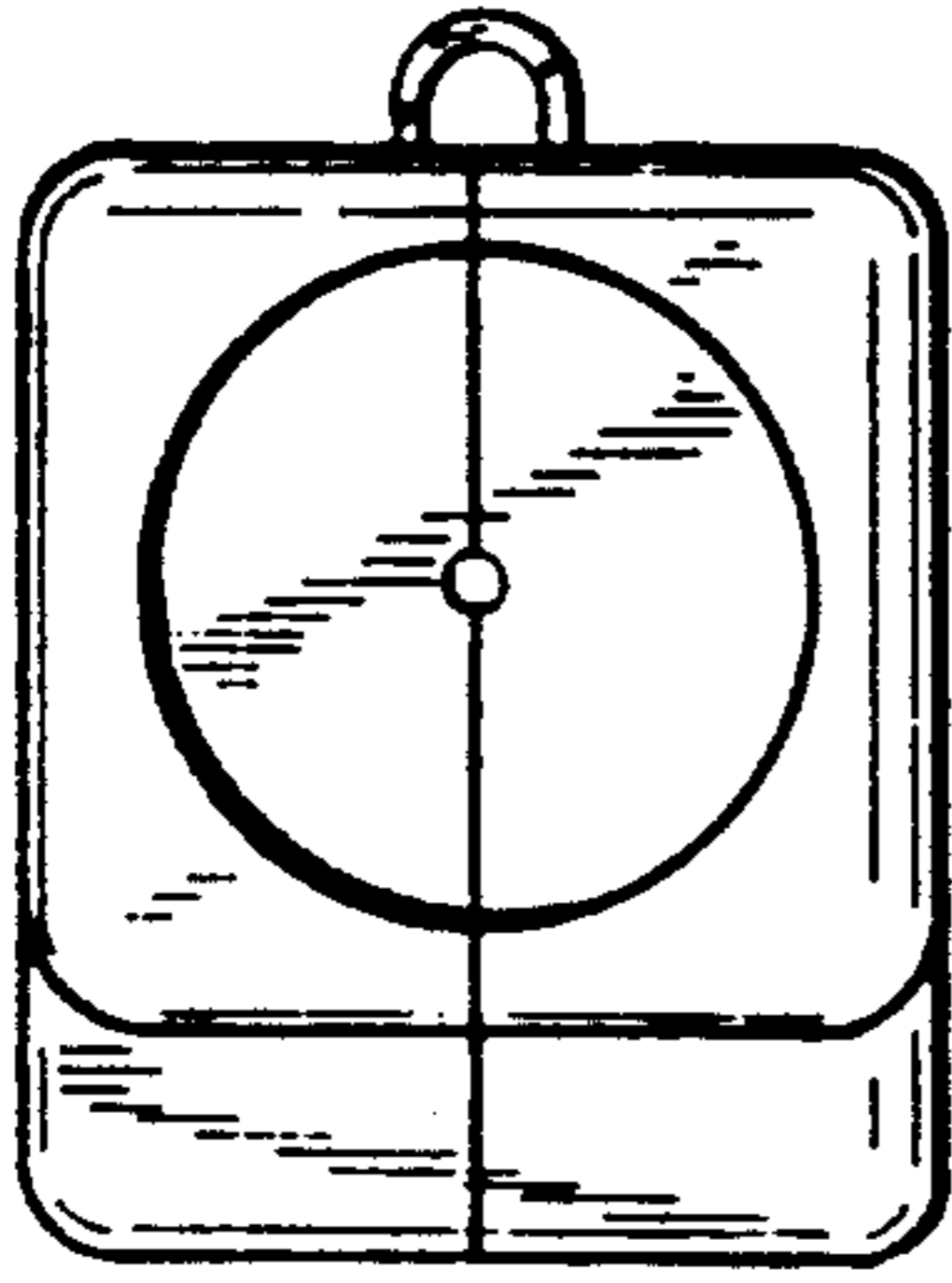


FIG.-10

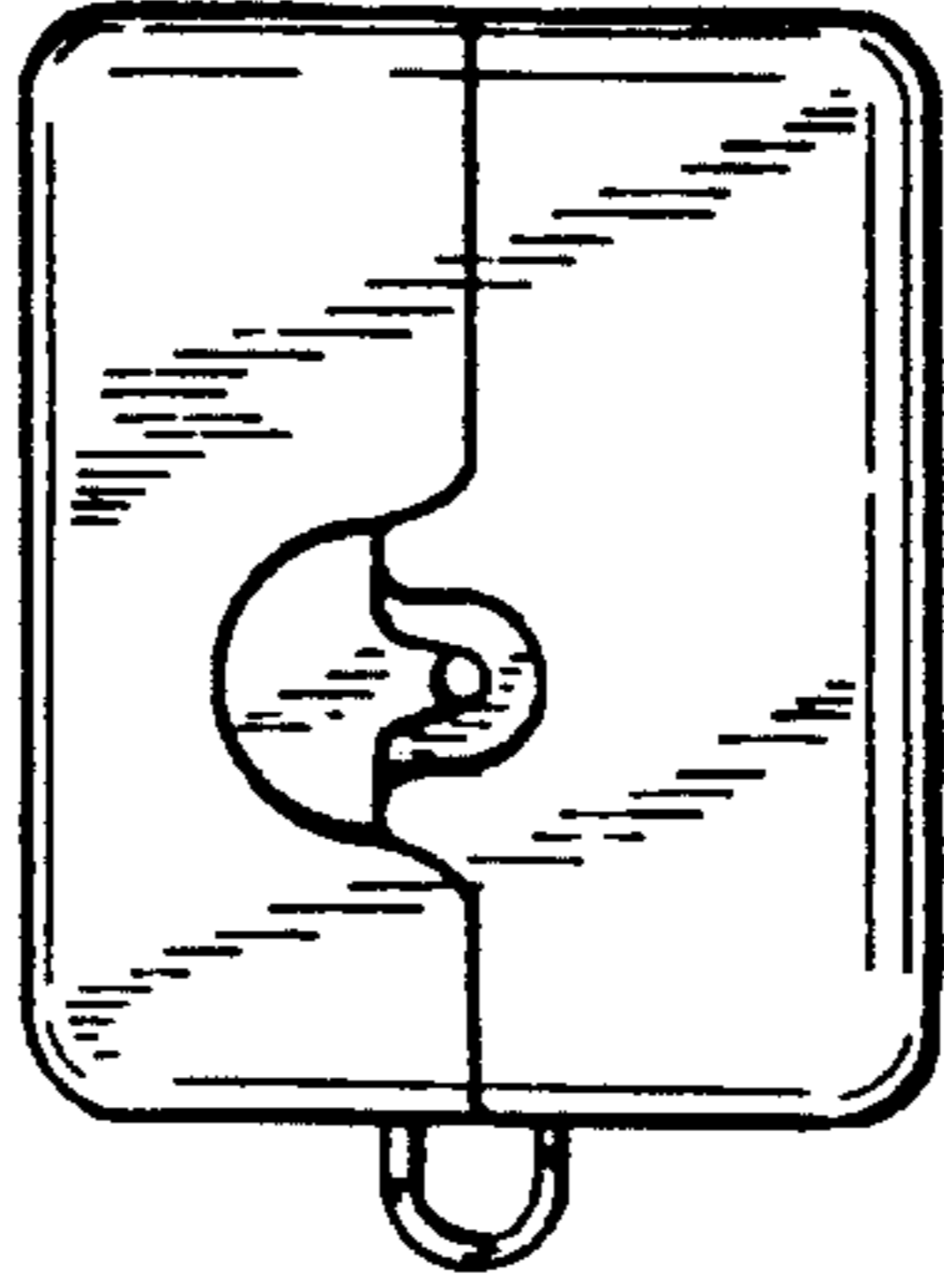


FIG.-12

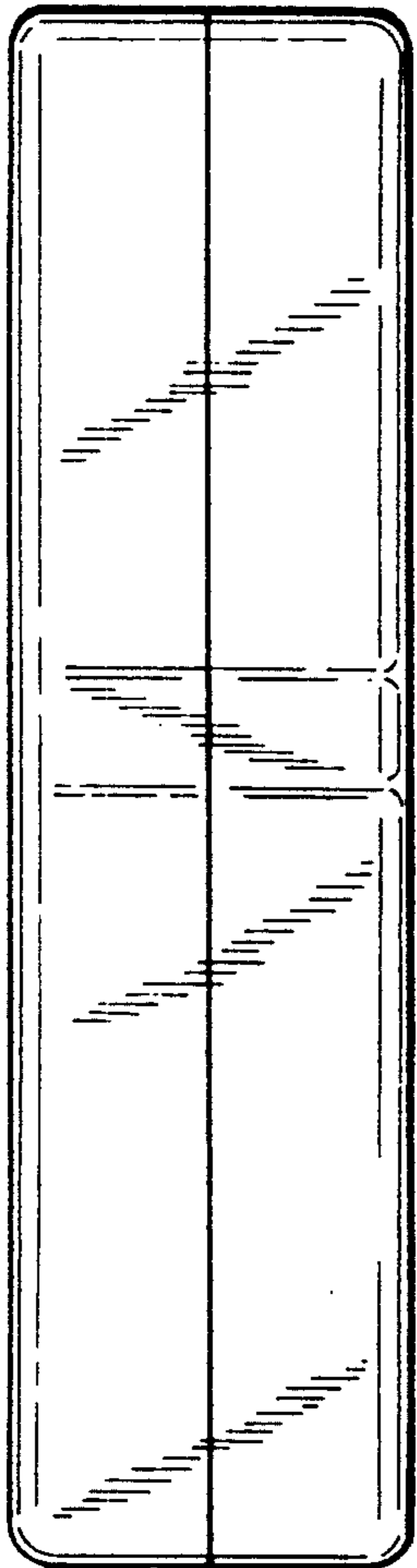


FIG.-9

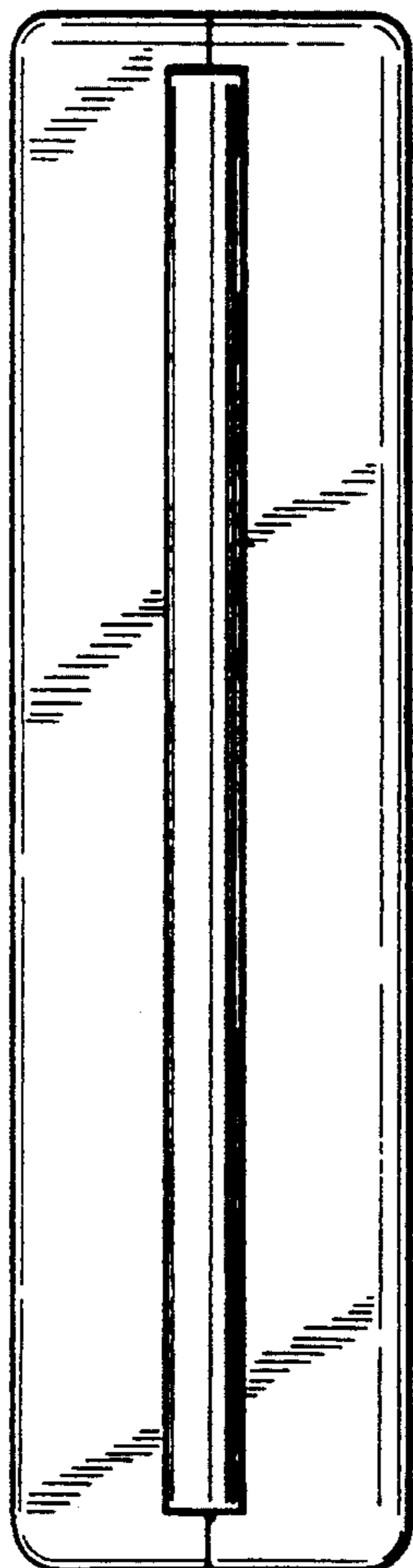


FIG.-11

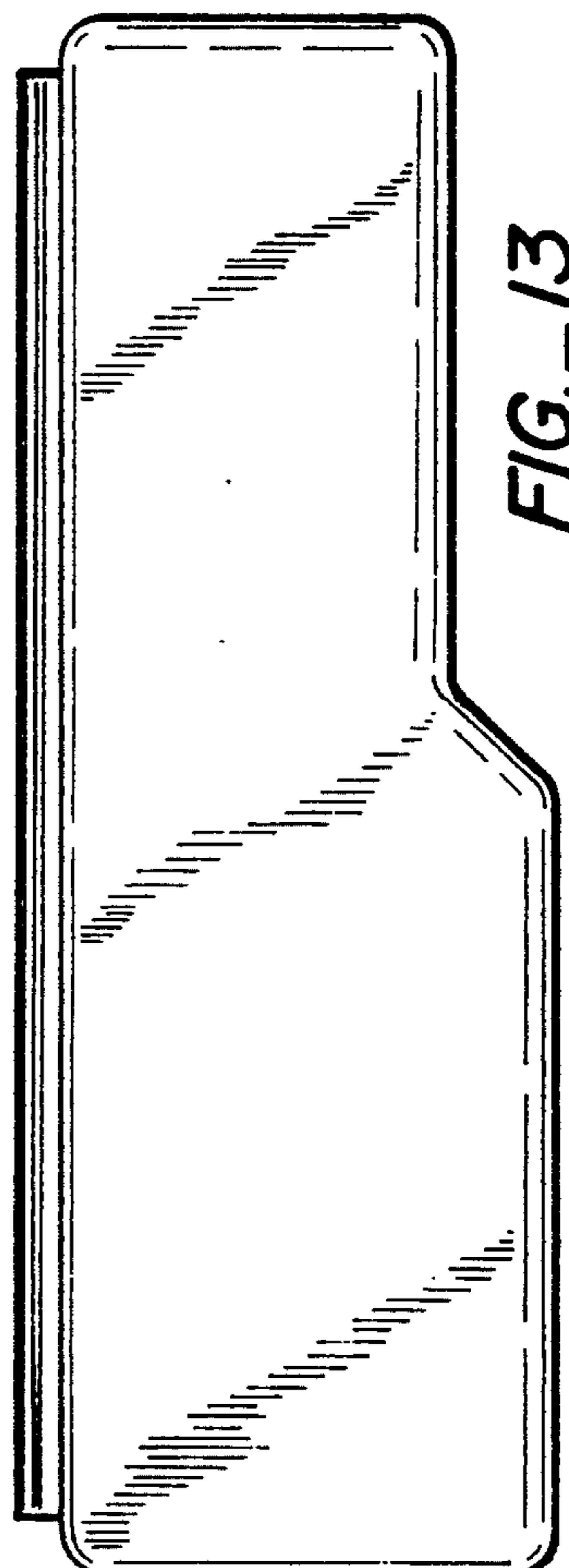


FIG.-13