



US00D347275S

United States Patent [19]

[11] Patent Number: **Des. 347,275**

Lovell

[45] Date of Patent: **** May 24, 1994**

[54] **COMBINED DRYER AND DEFOGGER FOR A BATHROOM MIRROR**

[56] **References Cited**

U.S. PATENT DOCUMENTS

2,617,701	11/1952	Fennell	219/219
3,878,621	4/1975	Duerre	392/363
4,701,594	10/1987	Powell	219/219
4,988,847	1/1991	Argos et al.	219/203

[76] Inventor: **Russell G. Lovell, 8004 Dottie Ct., Bakersfield, Calif. 93308**

Primary Examiner—Wallace R. Burke
Assistant Examiner—Lisa Lichtenstein
Attorney, Agent, or Firm—S. Michael Bender

[**] Term: **14 Years**

[57] CLAIM

[21] Appl. No.: **772,015**

The ornamental design for a combined dryer and defogger for a bathroom mirror, as shown and described.

[22] Filed: **Oct. 7, 1991**

DESCRIPTION

Related U.S. Application Data

- [63] Continuation-in-part of Ser. No. 47,992, May 11, 1987, abandoned.
- [52] U.S. Cl. **D23/355; D23/386**
- [58] Field of Search **219/203, 219; 392/363; D23/314, 386, 324, 355**

FIG. 1 is a front elevational view of the combined dryer and defogger for a bathroom mirror showing my new design;
 FIG. 2 is a rear elevational view thereof;
 FIG. 3 is a left side elevational view thereof;
 FIG. 4 is a right side elevational view thereof;
 FIG. 5 is a top plan view thereof; and,
 FIG. 6 is a bottom plan view thereof.

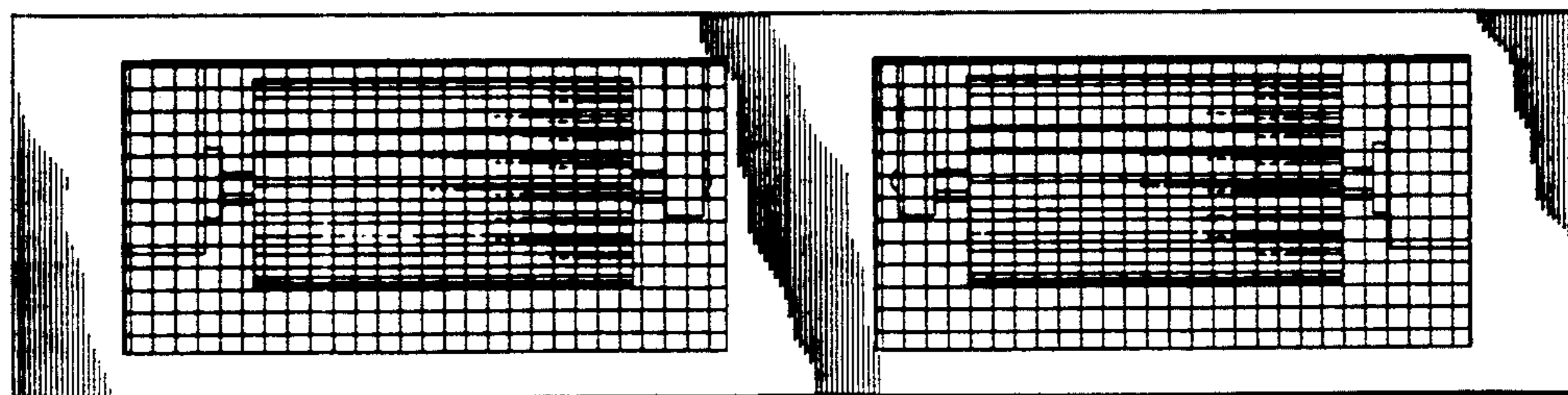
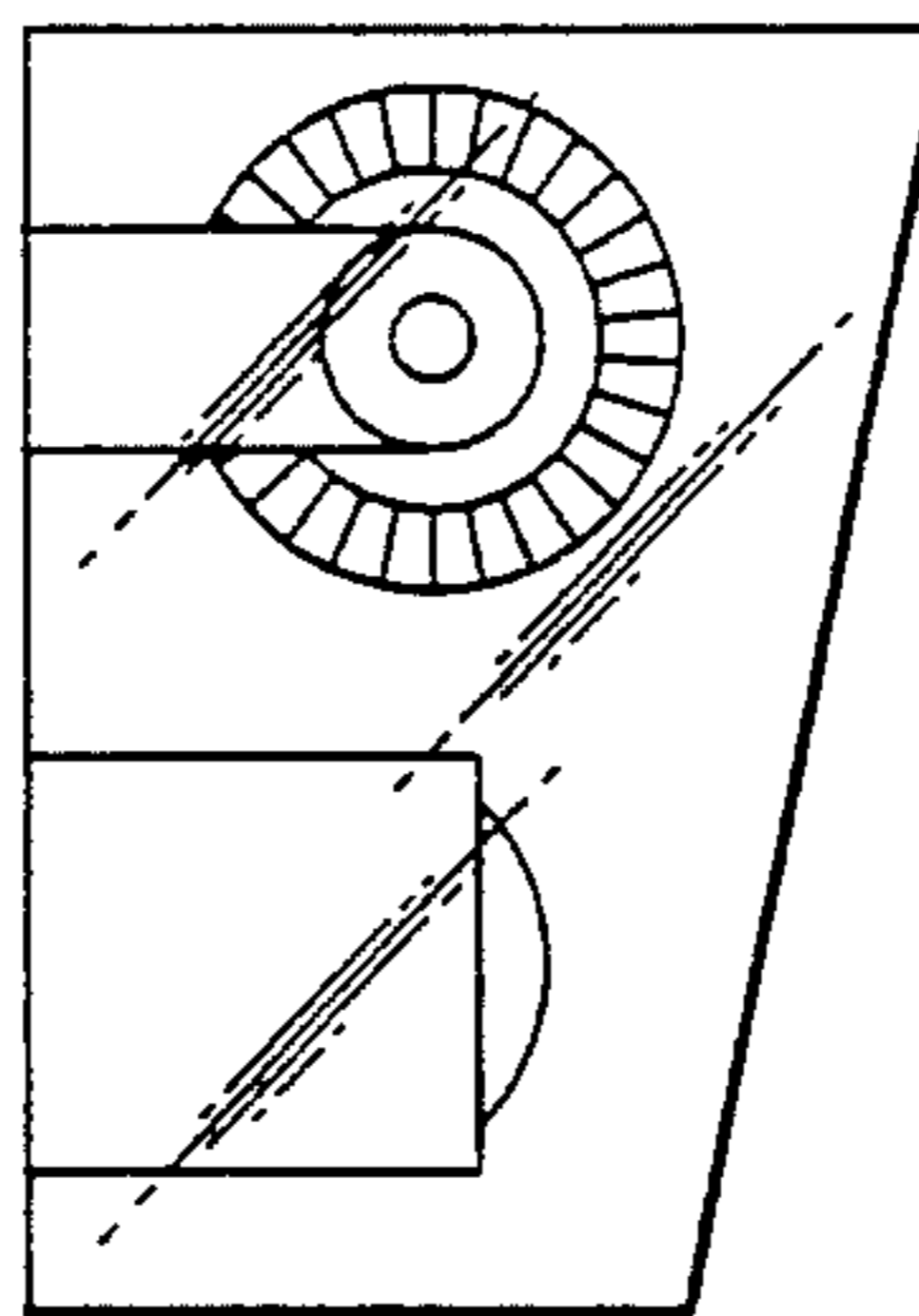
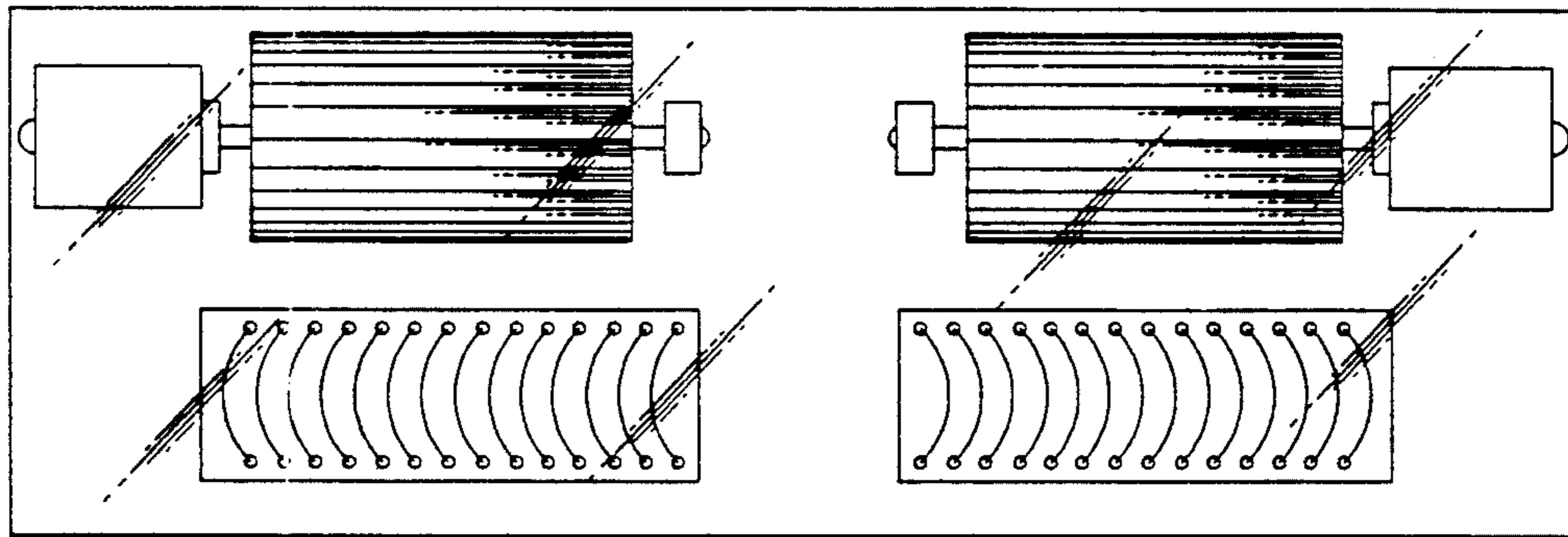


FIG. 1

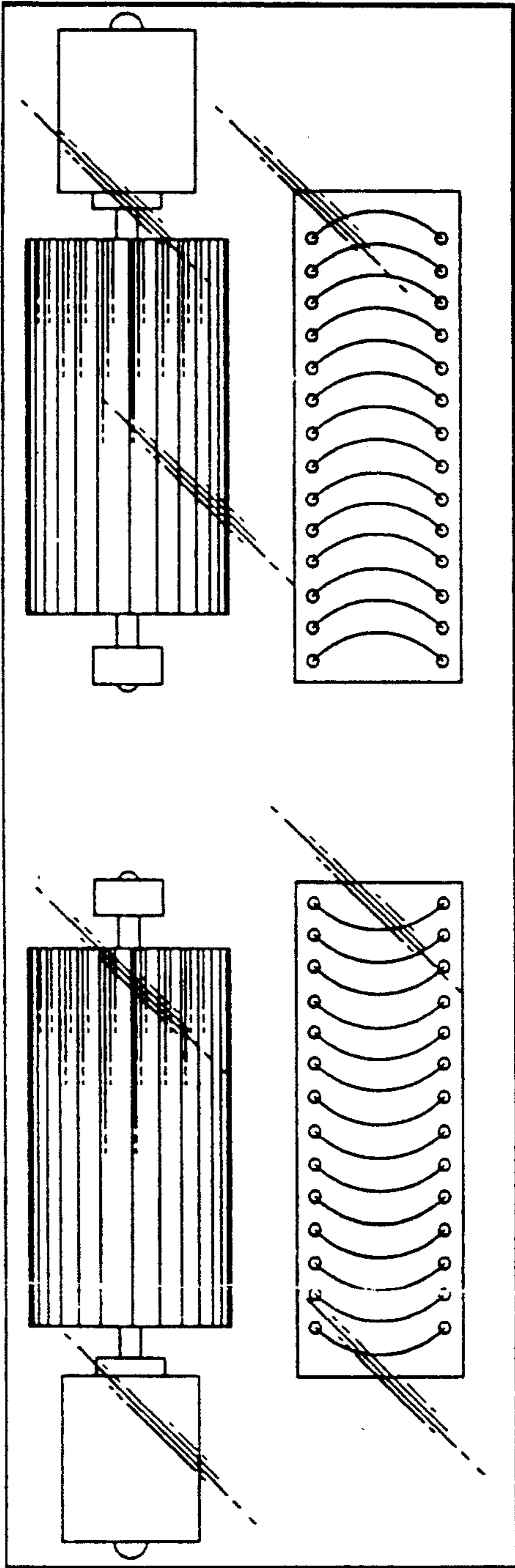


FIG. 2

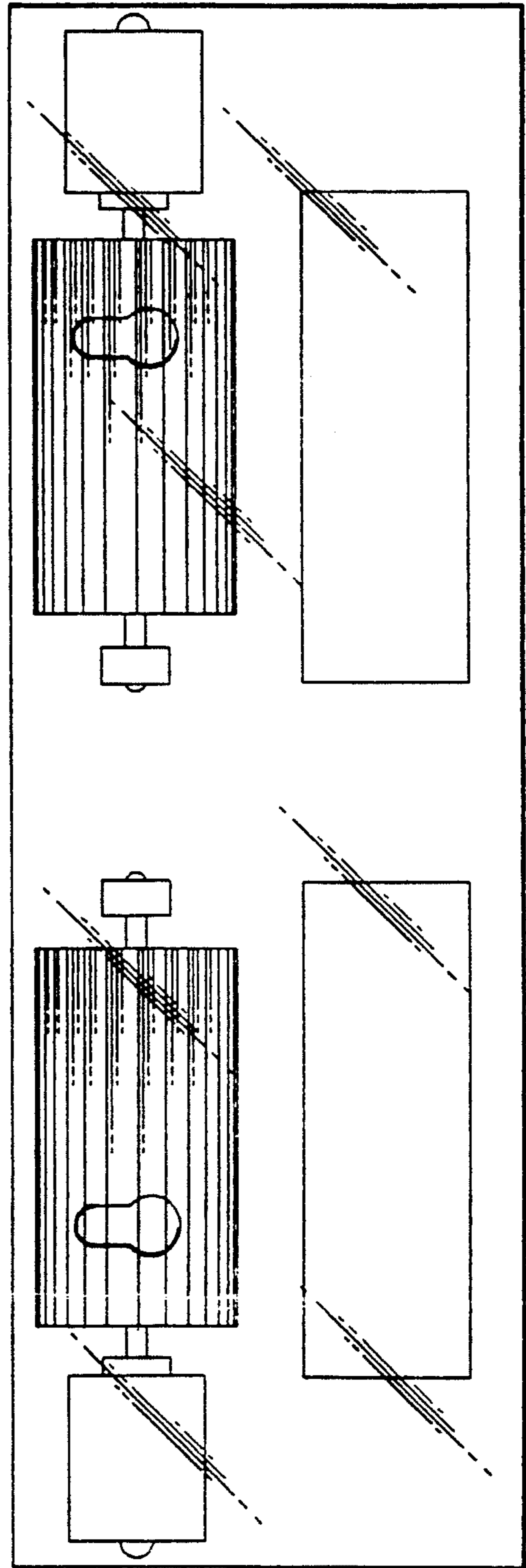


FIG. 3

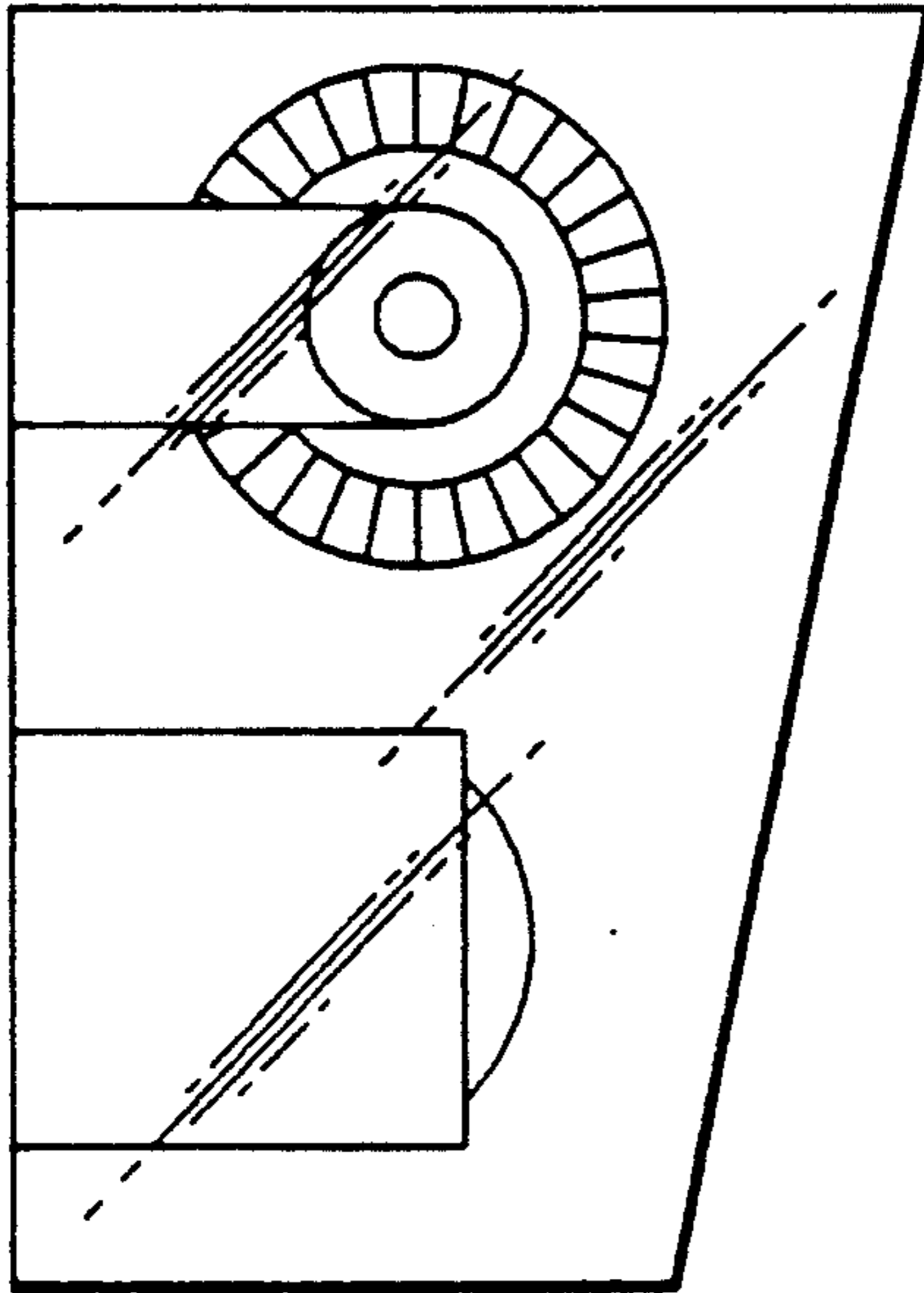


FIG. 4

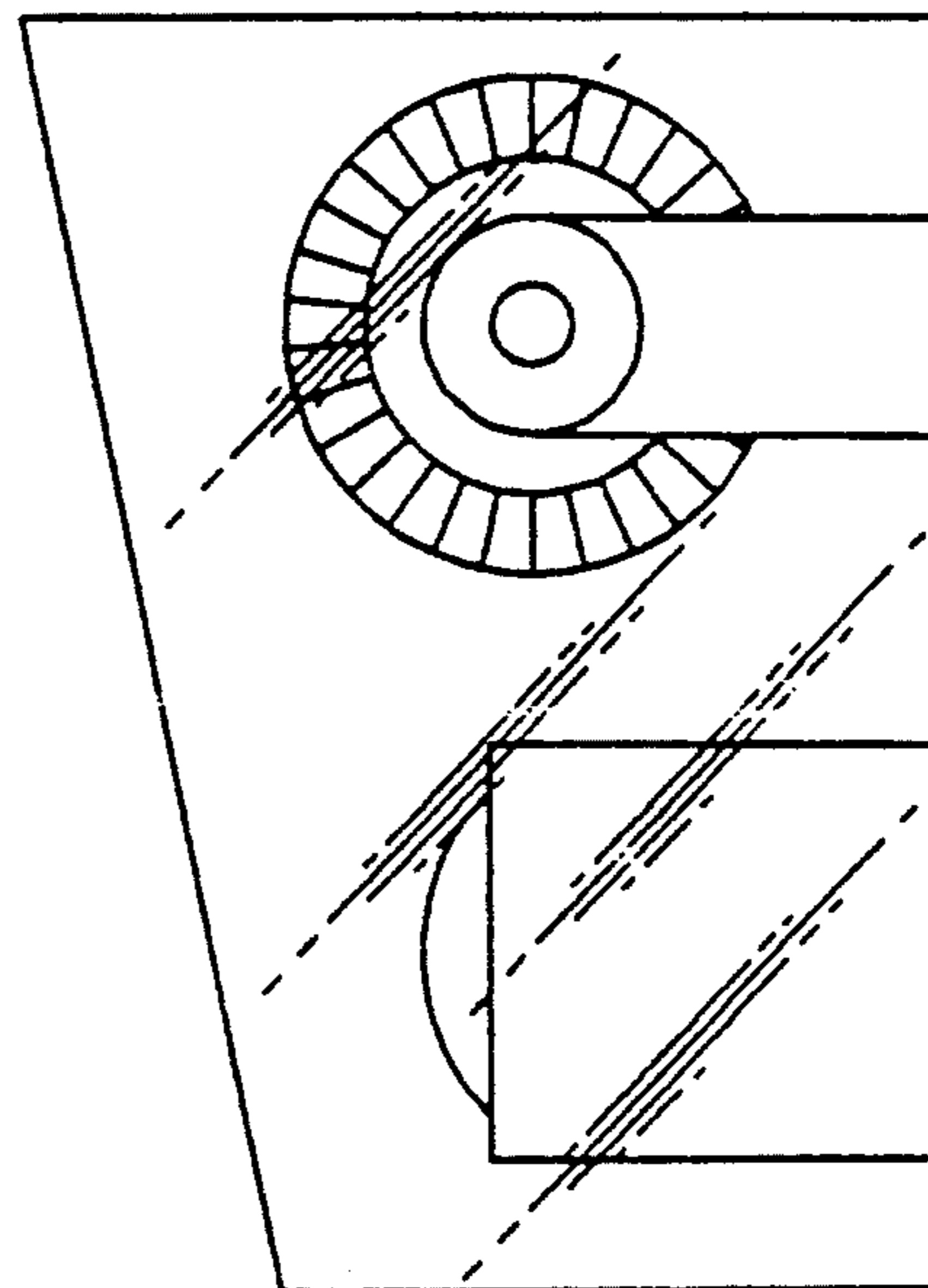


FIG. 5

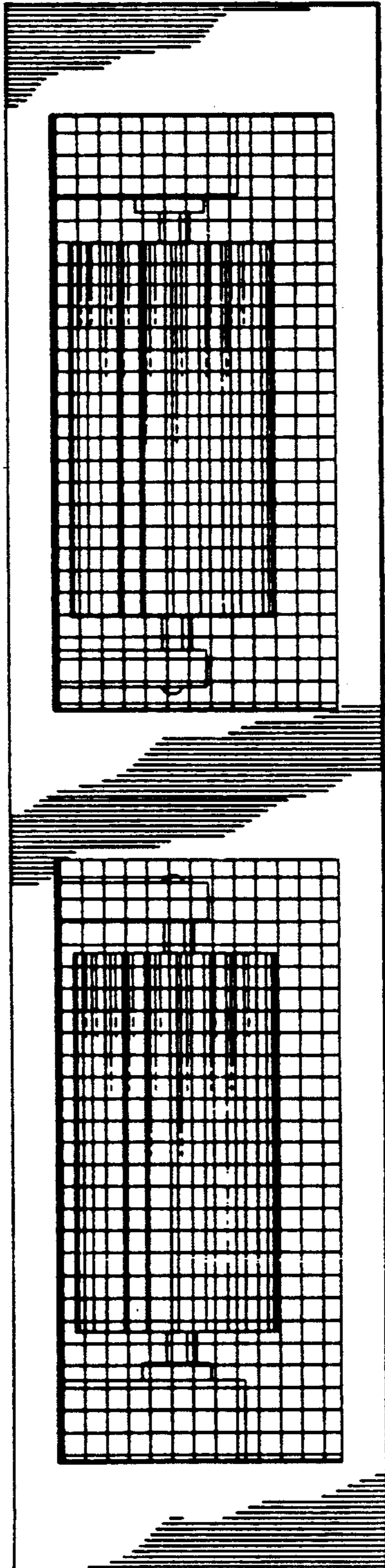


FIG. 6

