



US00D347271S

# United States Patent [19]

[11] Patent Number: **Des. 347,271**

Inda et al.

[45] Date of Patent: **\*\* May 24, 1994**

## [54] PIPE FITTING

[75] Inventors: **John P. Inda, Shawnee; Joseph J. Inda, Tecumseh, both of Okla.**

[73] Assignee: **General Plastics, Inc., Shawnee, Okla.**

[\*\*] Term: **14 Years**

[21] Appl. No.: **860,672**

[22] Filed: **Mar. 30, 1992**

[52] U.S. Cl. .... **D23/263**

[58] Field of Search ..... 285/111, 155, 150, 175, 285/179; D23/259, 262, 263, 266; D24/112, 128, 129, 130

## [56] References Cited

### U.S. PATENT DOCUMENTS

567,231	9/1896	Glauber .	
850,023	4/1907	Lewis .....	285/150 X
925,762	6/1909	Eager .	
1,722,676	7/1929	Parker .	
2,086,007	7/1937	Tompkins .....	285/105
2,215,318	9/1940	Bristol .....	138/75
2,449,754	9/1948	Seitz .....	285/111
3,598,157	8/1971	Farr et al. ....	138/157
4,898,494	2/1990	Ellis .....	404/2
5,007,664	4/1991	Mann .....	285/155 X
5,027,665	7/1991	Hayward .....	74/18.1
5,141,255	8/1992	Hanaoka .....	285/4
5,143,408	9/1992	Holtsmark .....	285/93

## OTHER PUBLICATIONS

Brochure of Northern Pipe Products, Fargo, North Dakota, undated but admitted to be prior art.

*Primary Examiner*—Stella Reid

*Assistant Examiner*—Eric Watterson

*Attorney, Agent, or Firm*—Dougherty, Hessin, Beavers & Gilbert

## [57] CLAIM

The ornamental design for a pipe fitting, as shown and described.

## DESCRIPTION

FIG. 1 is a side elevation view of a pipe fitting constructed in accordance with the present invention and showing our new design incorporated therein, the opposite side of the pipe fitting is a mirror image of the side depicted in FIG. 1;

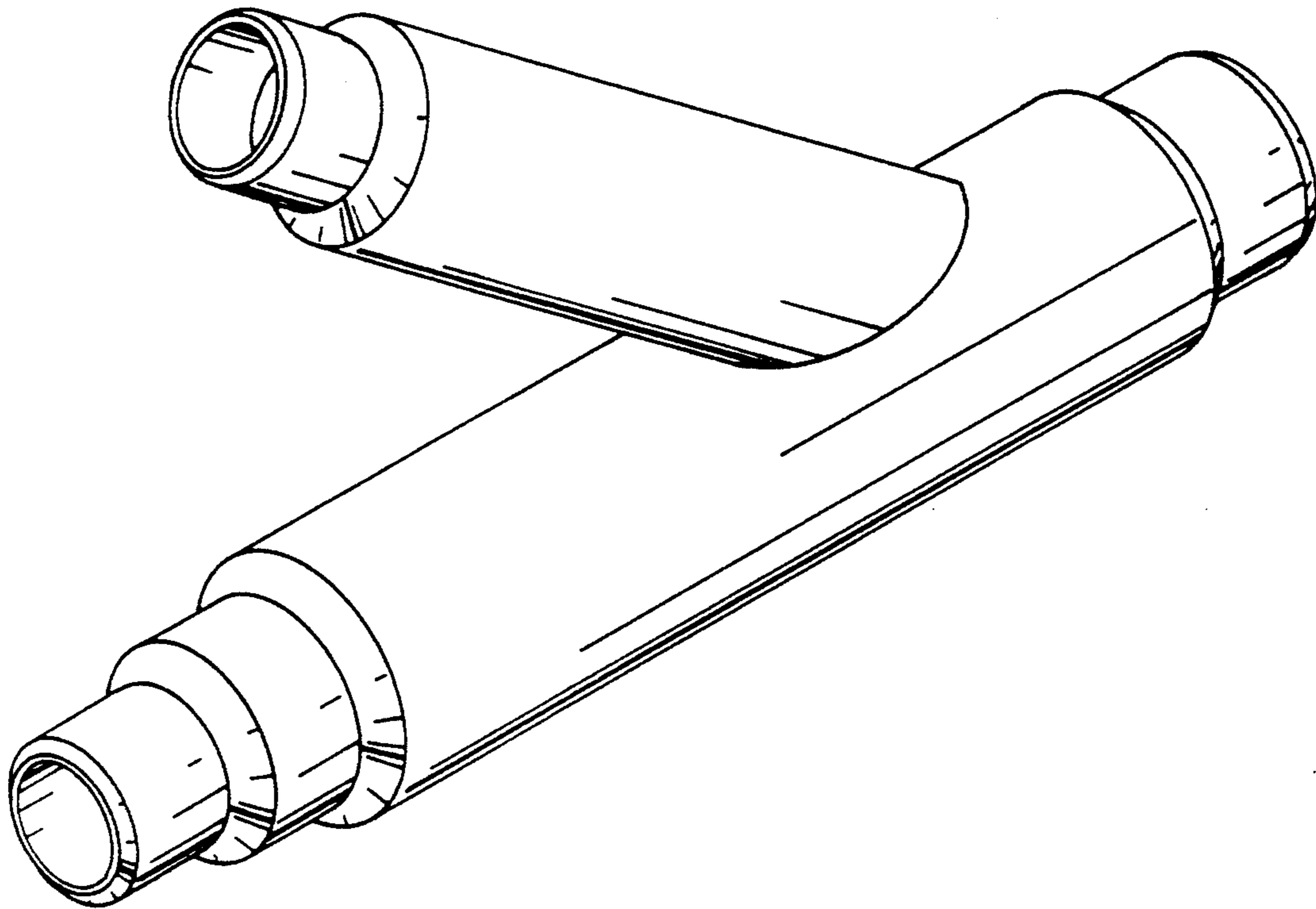
FIG. 2 is an end elevation view of the pipe fitting shown in FIG. 1 as it appears when viewed from the left end thereof;

FIG. 3 is an end elevation of the pipe fitting shown in FIG. 1 as it appears when viewed from the right end thereof;

FIG. 4 is a top plan view of the pipe fitting shown in FIG. 1;

FIG. 5 is a bottom plan view of the pipe fitting shown in FIG. 1; and,

FIG. 6 is a perspective view of the pipe fitting shown in FIG. 1.



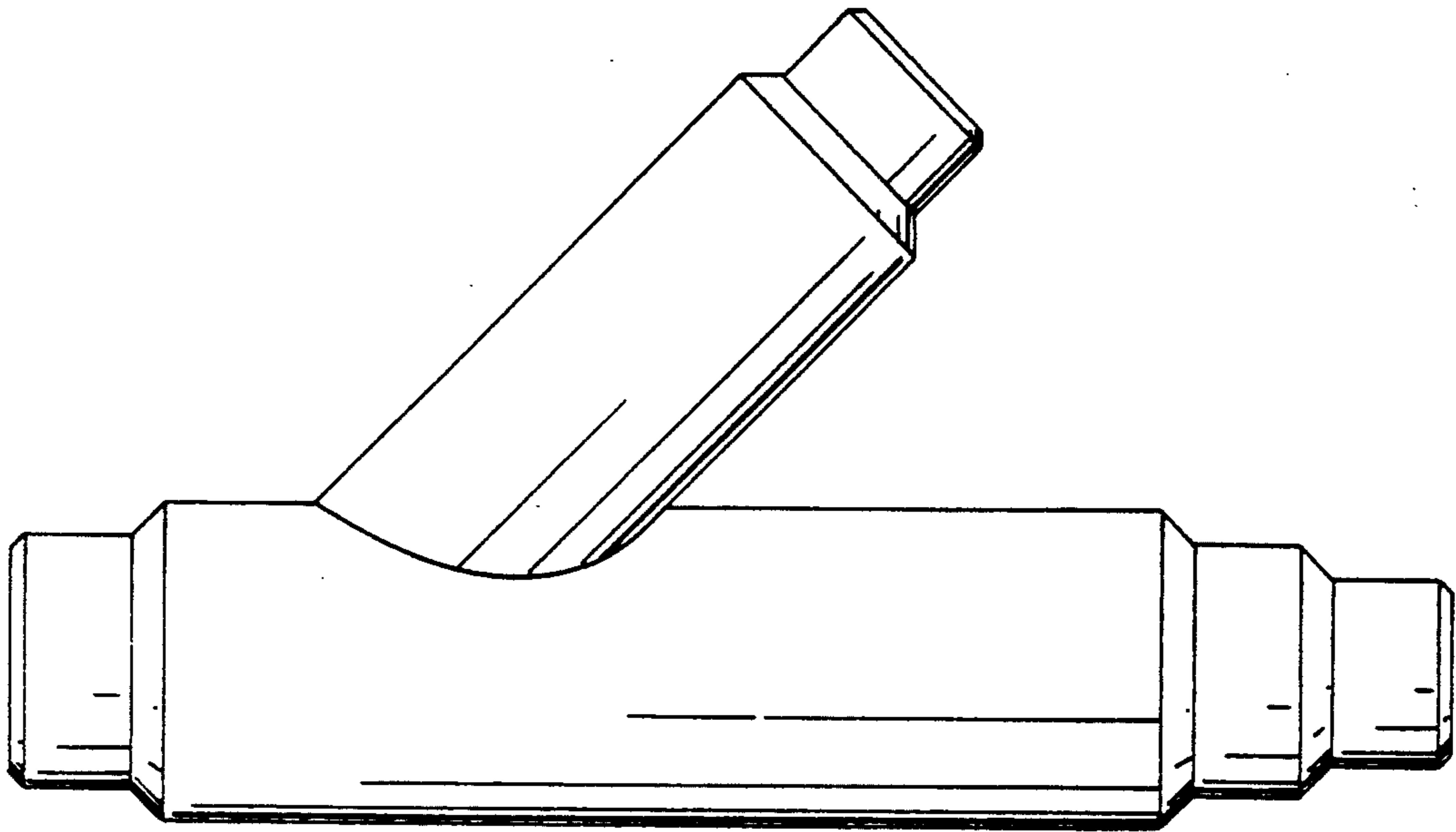


FIG. 1

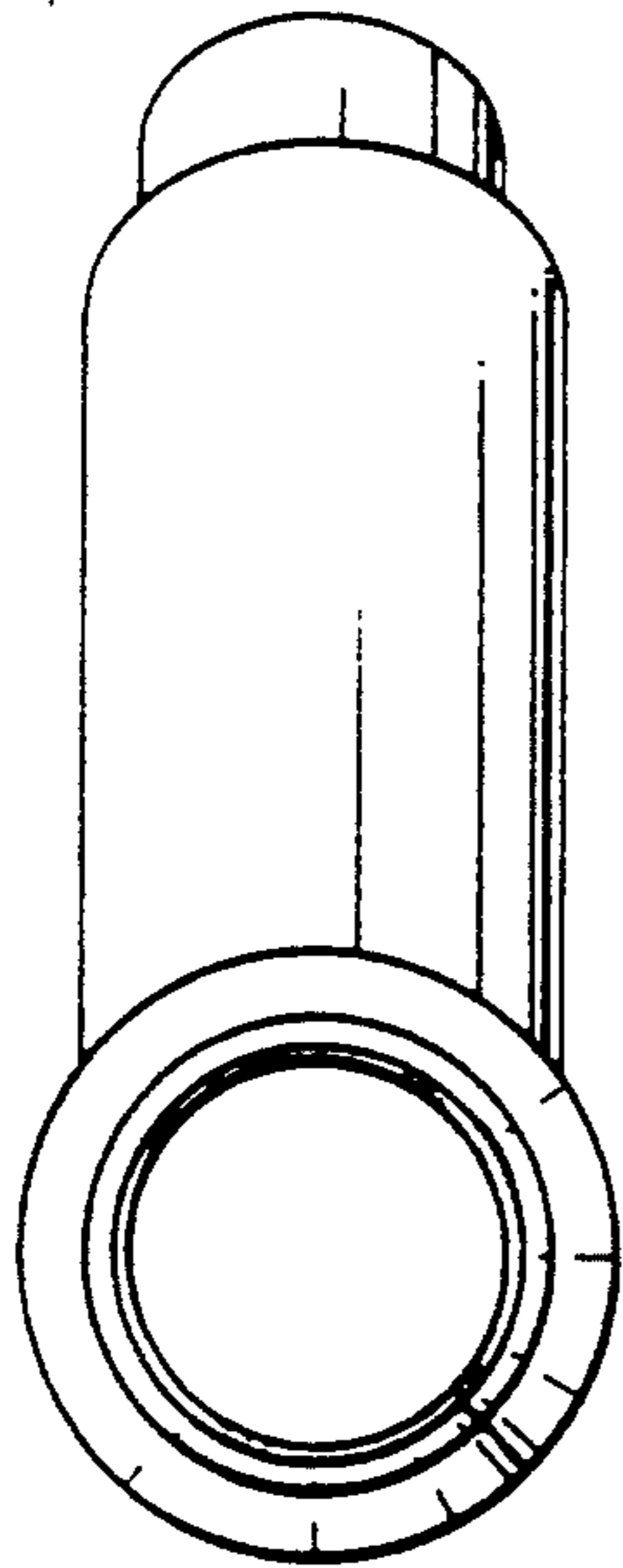


FIG. 2

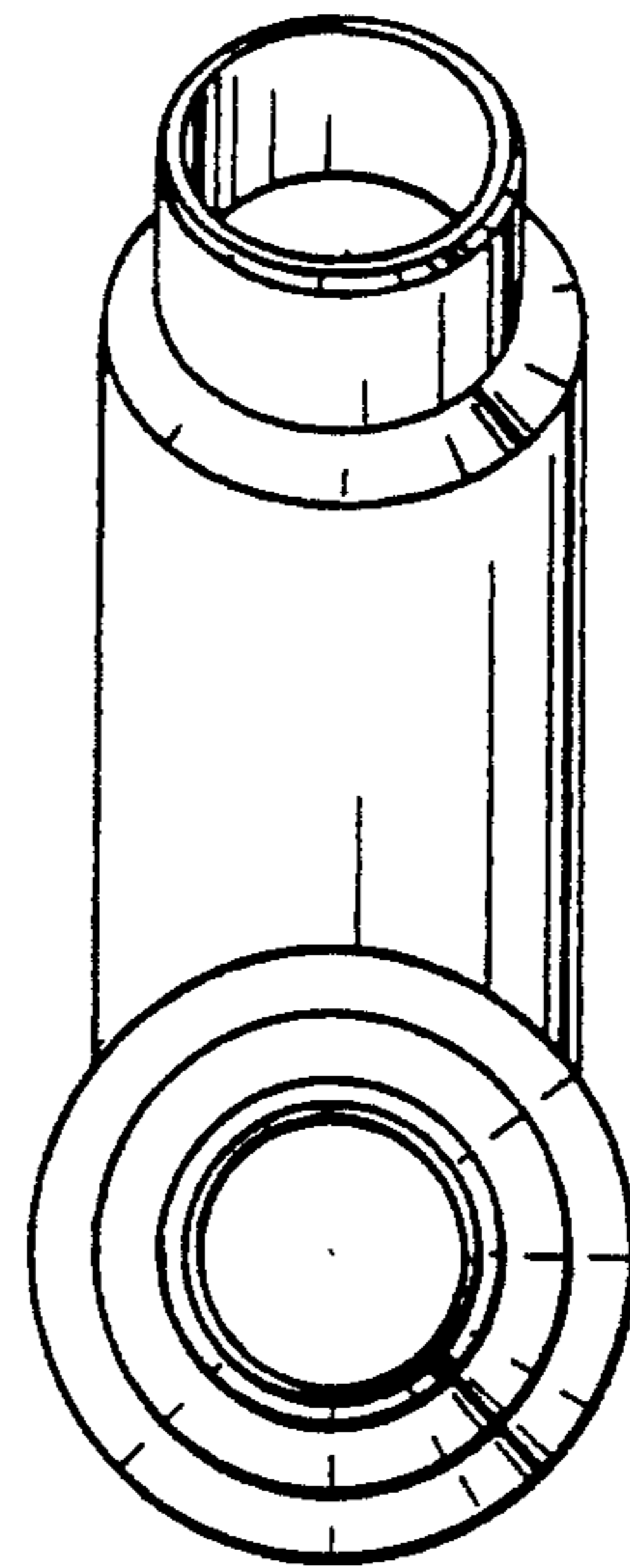


FIG. 3

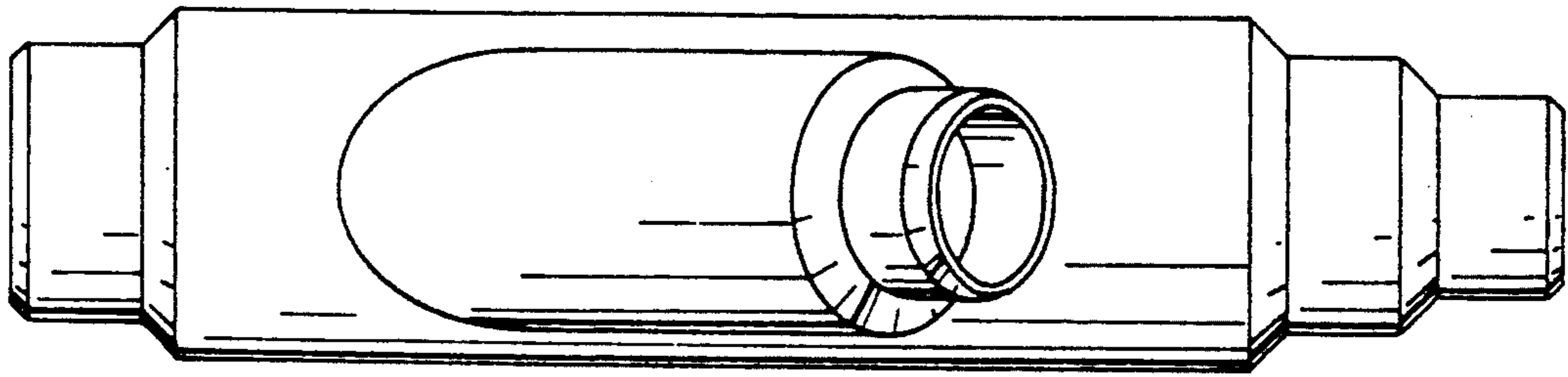


FIG. 4

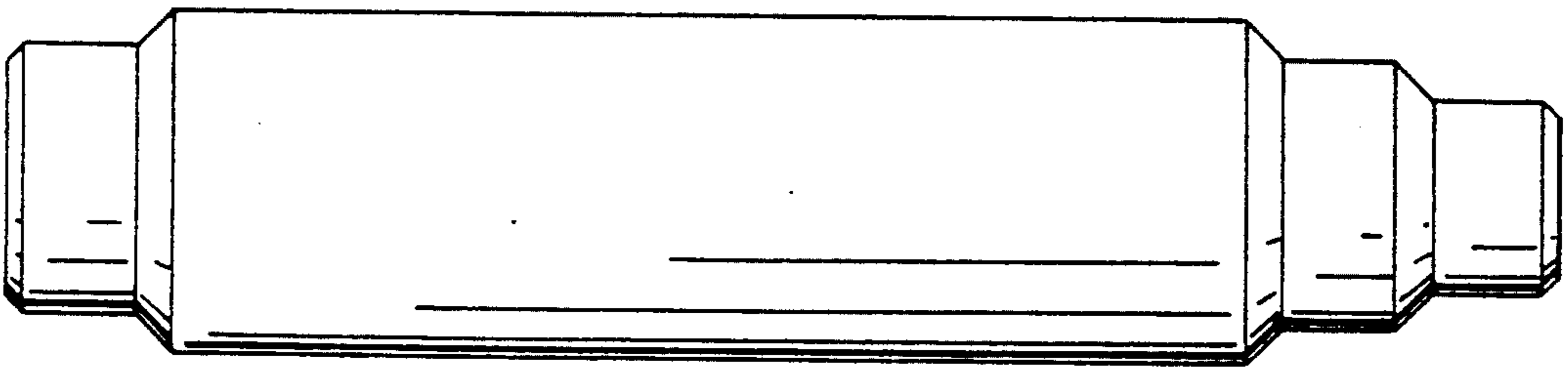


FIG. 5

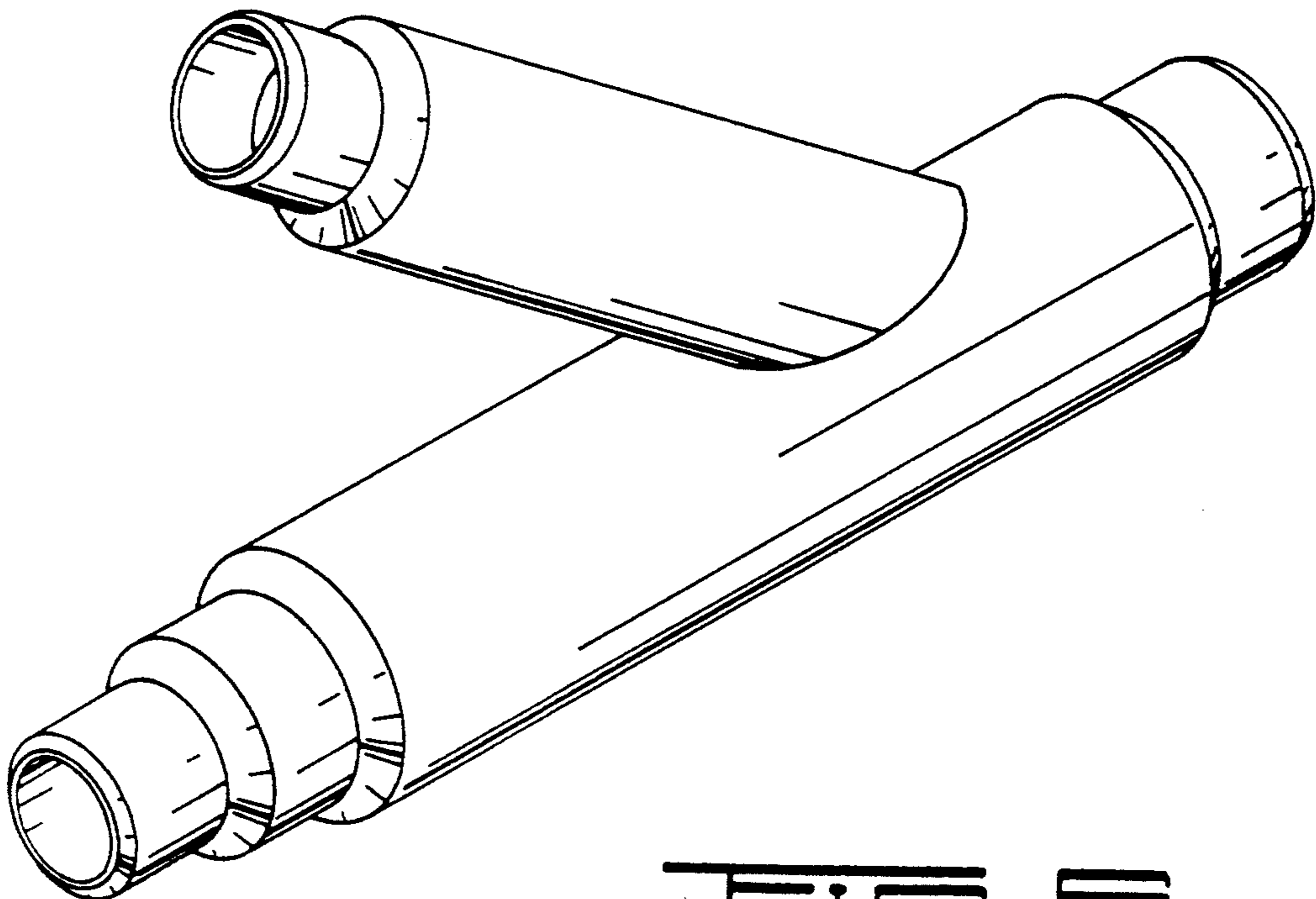


FIG. 6