



US00D347270S

United States Patent [19]

[11] Patent Number: **Des. 347,270**

Yost

[45] Date of Patent: **** May 24, 1994**

[54] FAUCET HANDLE

[75] Inventor: **Hollis K. Yost, Santa Monica, Calif.**

[73] Assignee: **Emhart Inc., Newark, Del.**

[**] Term: **14 Years**

[21] Appl. No.: **914,065**

[22] Filed: **Jul. 16, 1992**

[52] U.S. Cl. **D23/252**

[58] Field of Search **D8/300, 307-320; 16/110 R, 118, 121; D23/238-243, 250-254**

[56] **References Cited**

U.S. PATENT DOCUMENTS

D. 199,426	10/1964	Armstrong	D23/252
D. 219,781	1/1971	Niemann	D23/252
D. 219,782	1/1971	Tiller	D23/252
D. 223,155	3/1972	Owens	D23/252
D. 223,913	6/1972	Niemann	D23/252
D. 227,466	6/1973	Genaro et al.	D23/252
D. 265,234	6/1982	Ronvik	D23/252
D. 291,234	8/1987	Bergmann et al.	D23/238

D. 291,235	8/1987	Bergmann et al.	D23/238
D. 297,357	8/1988	Spangler	D23/252
D. 301,162	5/1989	Oberdorfer	D23/238
D. 306,336	2/1990	Oberdorfer	D23/252
D. 322,307	12/1991	Chretien	D23/252
D. 323,377	1/1992	Haug et al.	D23/252
D. 324,725	3/1992	Lang et al.	D23/252
D. 326,139	5/1992	Ragonot	D23/252

Primary Examiner—James R. Largen

Attorney, Agent, or Firm—J. Bruce Hoofnagle

[57] CLAIM

The ornamental design for faucet handle, as shown and described.

DESCRIPTION

FIG. 1 is a front elevational view of a faucet handle showing my new design;
 FIG. 2 is a rear elevational view thereof;
 FIG. 3 is a left side elevational view thereof, the right side being a mirror image of the left side;
 FIG. 4 is a top plan view thereof; and,
 FIG. 5 is a bottom plan view thereof.

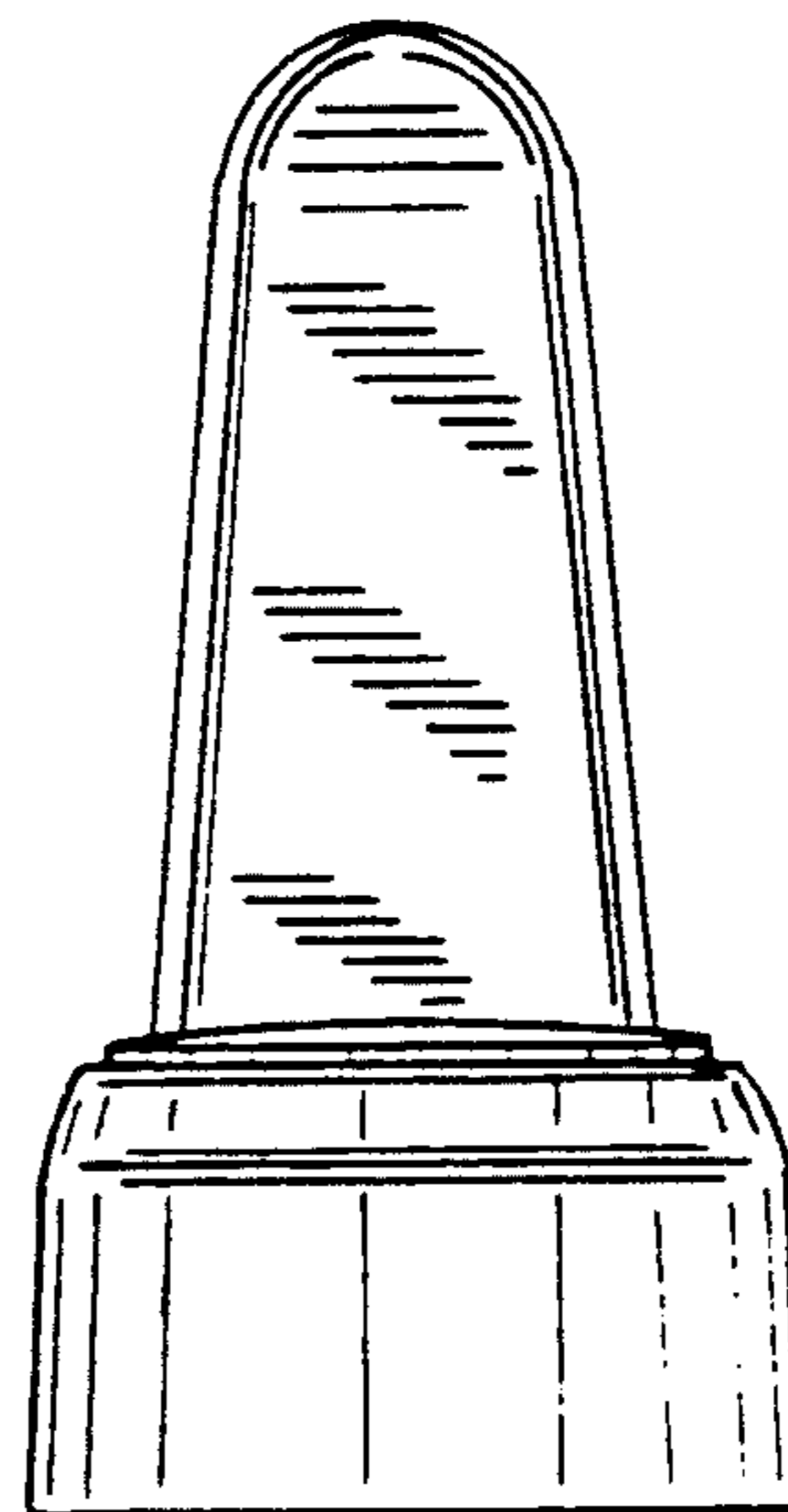
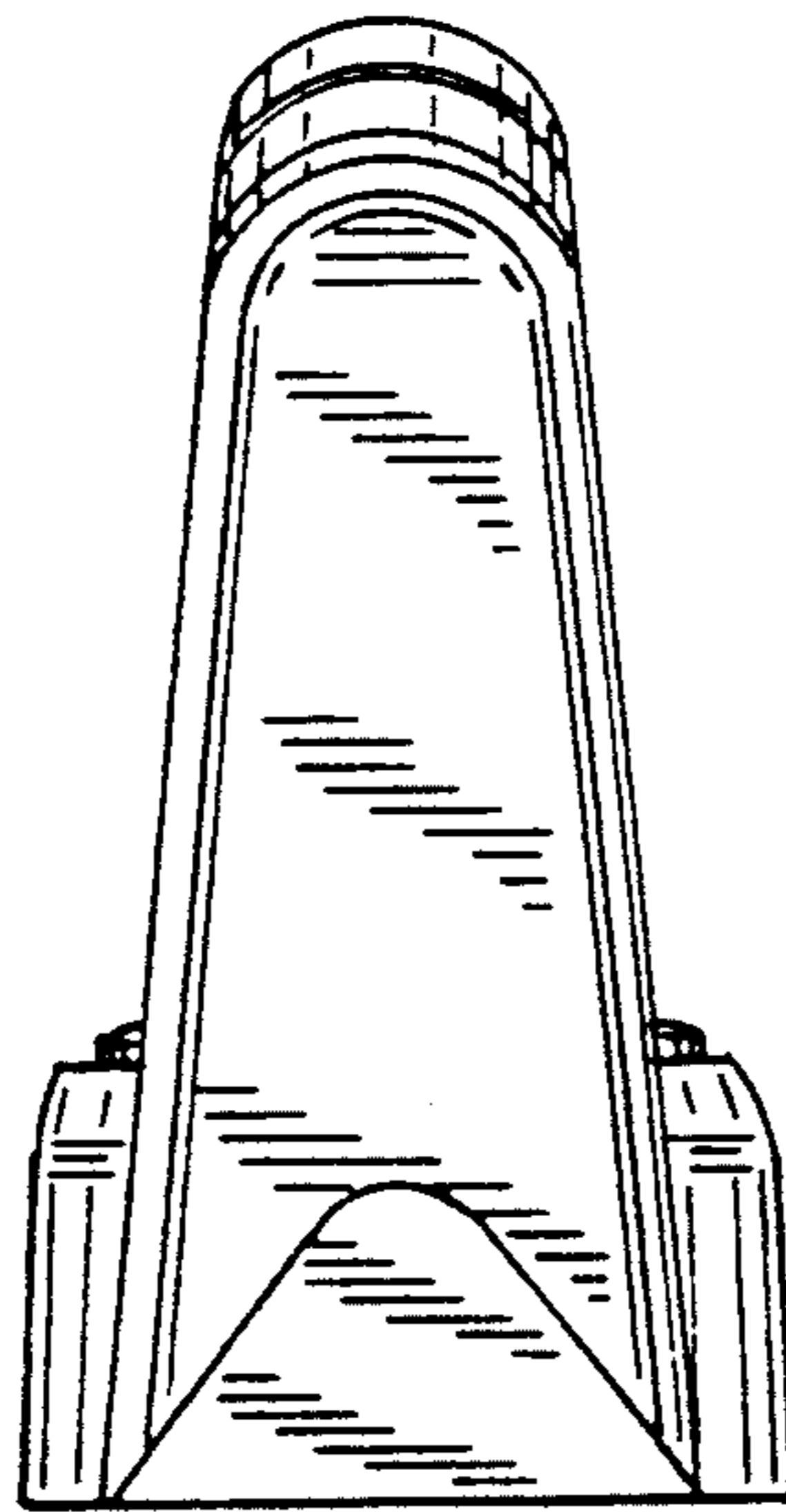


FIG. 1

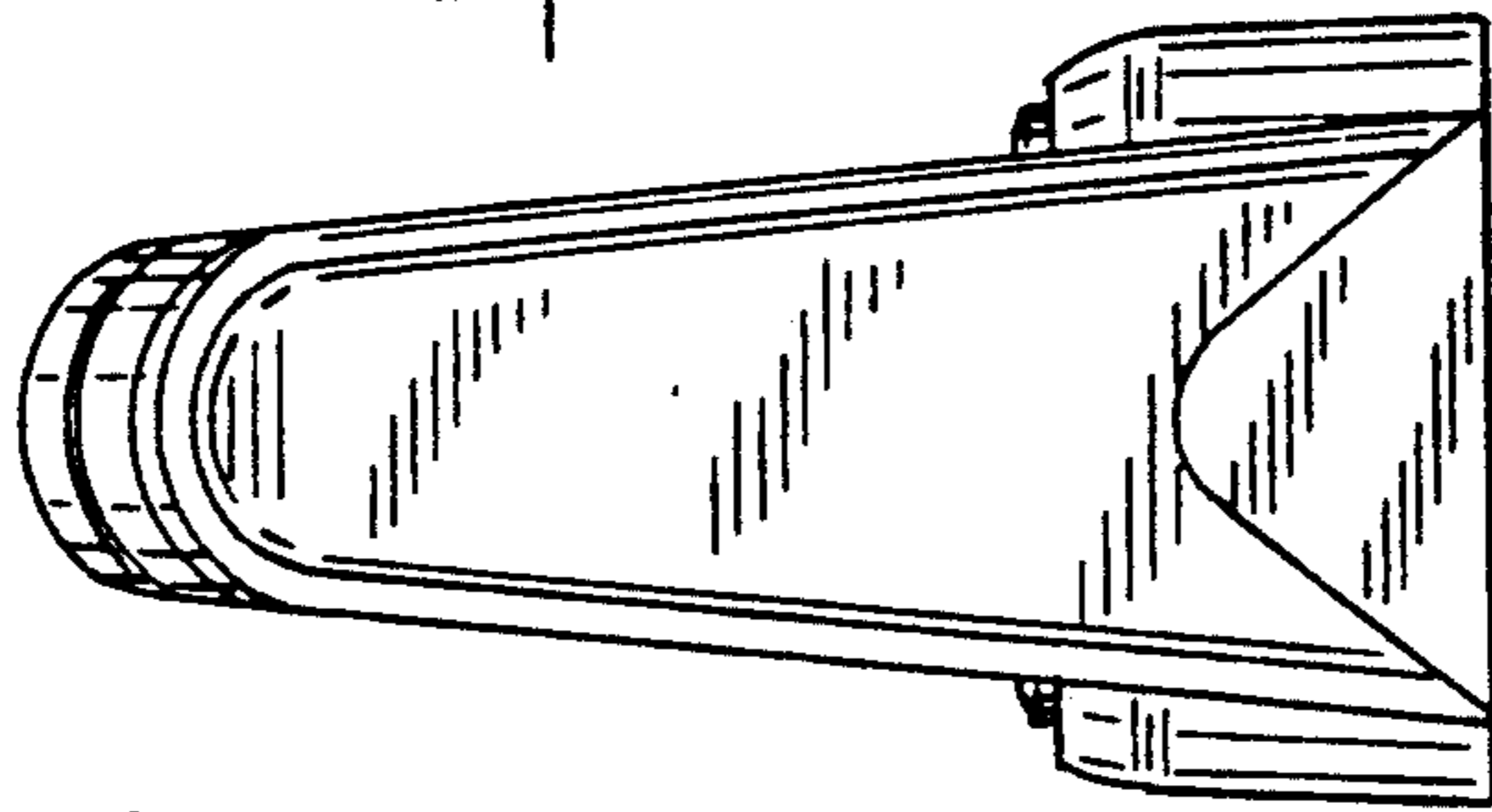


FIG. 3

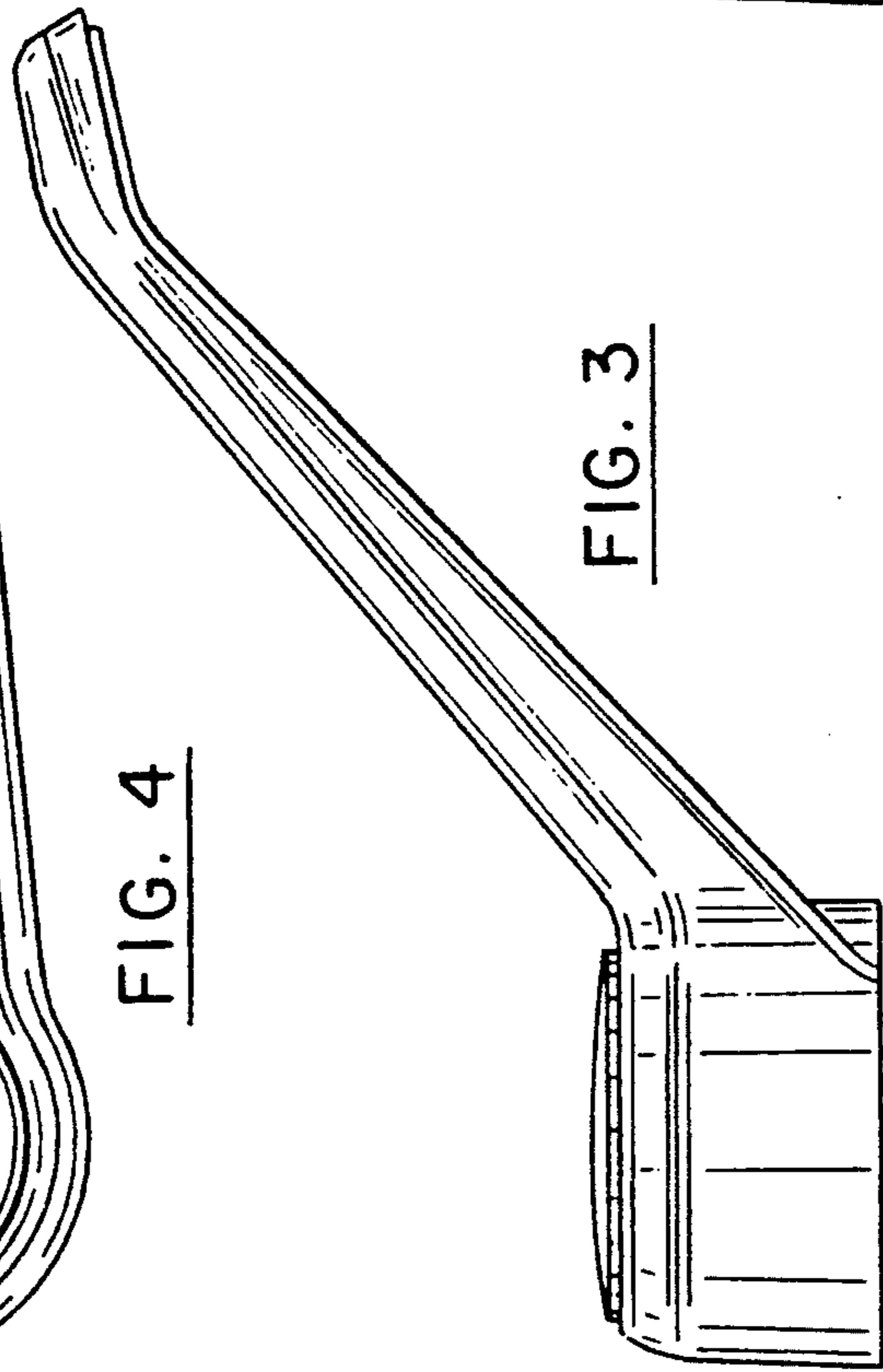


FIG. 4

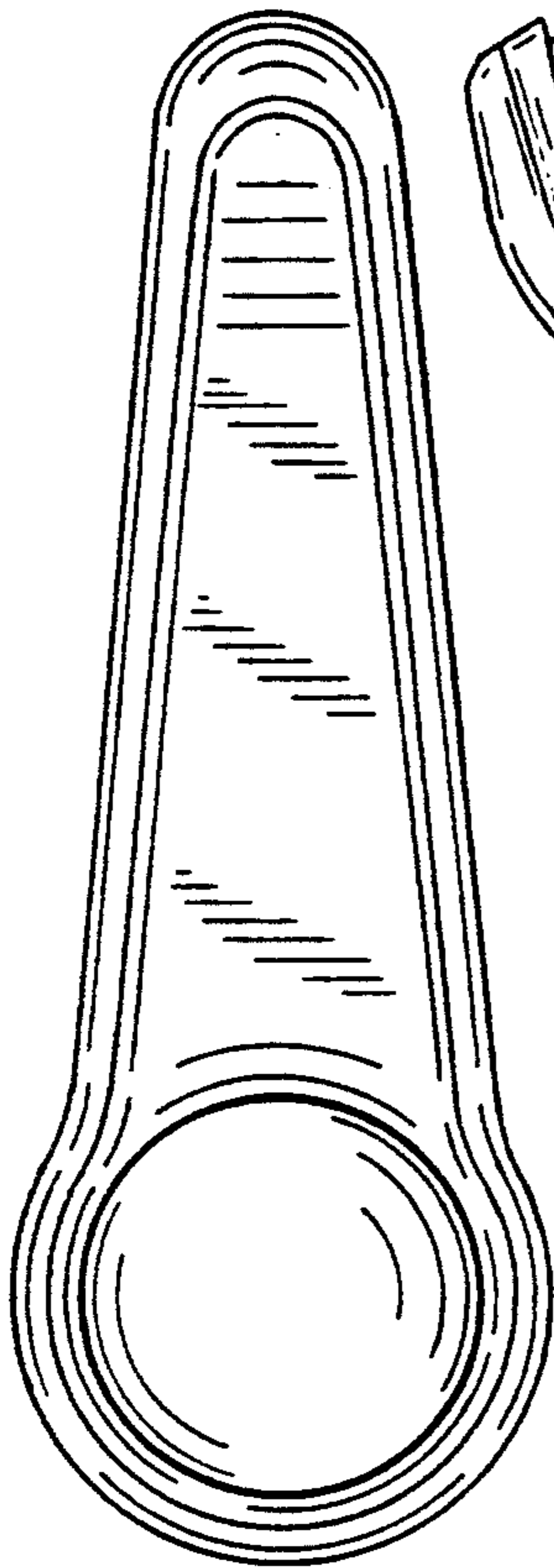


FIG. 2

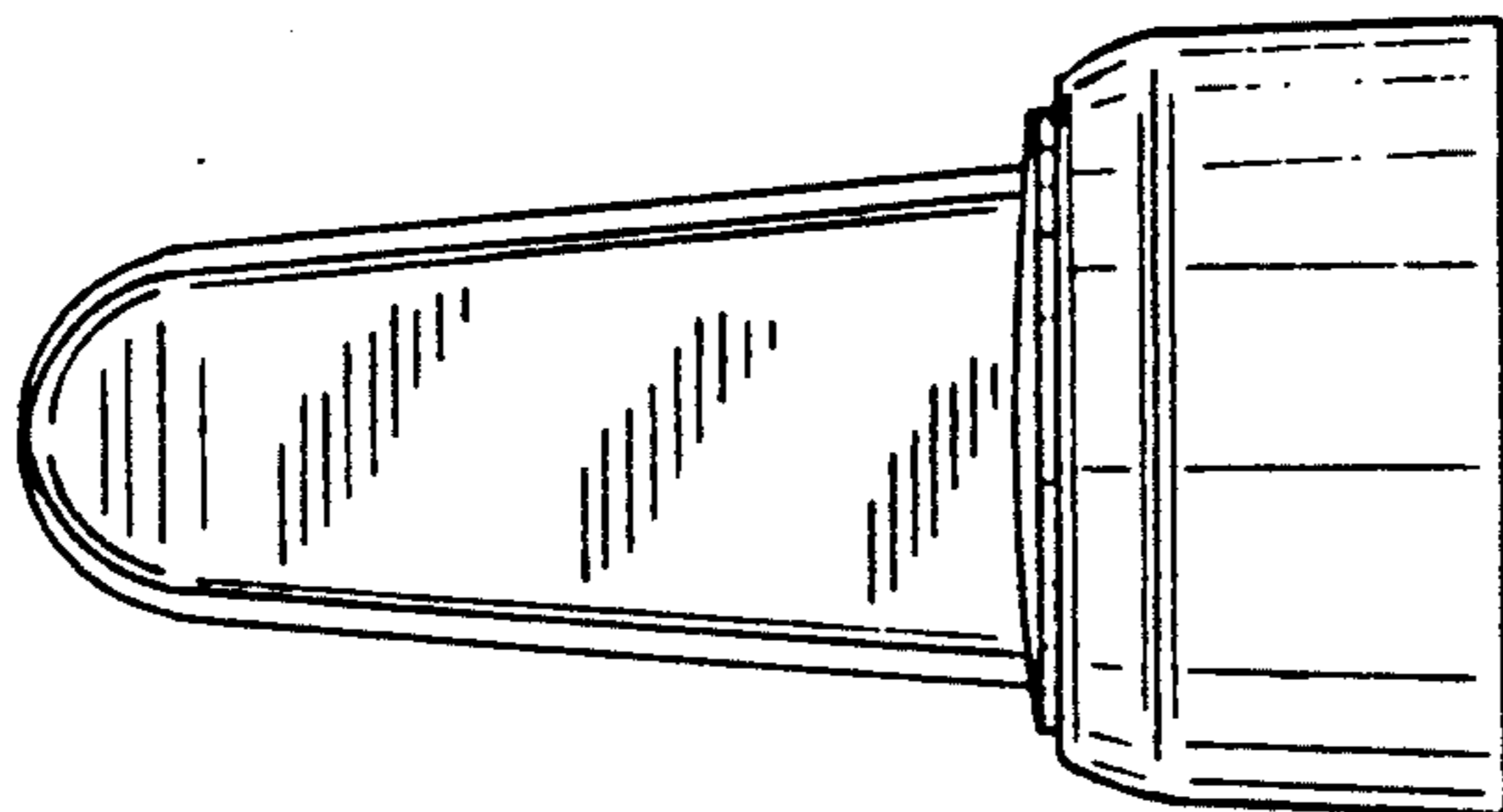


FIG. 5

