



US00D347268S

# United States Patent [19]

[11] Patent Number: **Des. 347,268**

**Paul**

[45] Date of Patent: **\*\* May 24, 1994**

[54] FAUCET HANDLE

[75] Inventor: **Stanley M. Paul**, Greenwich, Conn.

[73] Assignee: **Chicago Faucet Company**, Des Plaines, Ill.

[\*\*] Term: **14 Years**

[21] Appl. No.: **893,344**

[22] Filed: **Jun. 3, 1992**

[52] U.S. Cl. .... **D23/252**

[58] Field of Search ..... **D8/300, 307-311; 16/110 R, 118, 121; 4/675-678; D23/250-254, 238-243**

[56] **References Cited**

**U.S. PATENT DOCUMENTS**

- D. 265,229 6/1982 Paul ..... D23/242
- D. 271,514 11/1983 Paul ..... D23/242
- D. 290,336 6/1987 Paul ..... D8/308

- D. 301,054 5/1989 Rodstein ..... D23/242
- D. 308,718 6/1990 Strianano ..... D23/242
- D. 313,065 12/1990 Strignano ..... D23/242
- D. 316,291 4/1991 Razumov ..... D23/242
- D. 325,426 4/1991 Paul ..... D23/252

*Primary Examiner*—James R. Largen  
*Attorney, Agent, or Firm*—Darby & Darby

[57] **CLAIM**

The ornamental design for a faucet handle, as shown and described.

**DESCRIPTION**

FIG. 1 is a top perspective view of a faucet handle showing my new design;  
 FIG. 2 is a front elevational view thereof, the rear being a mirror image of the front;  
 FIG. 3 is a left side elevational view thereof;  
 FIG. 4 is a top plan view thereof;  
 FIG. 5 is a right side elevational view thereof; and,  
 FIG. 6 is a bottom plan view thereof.

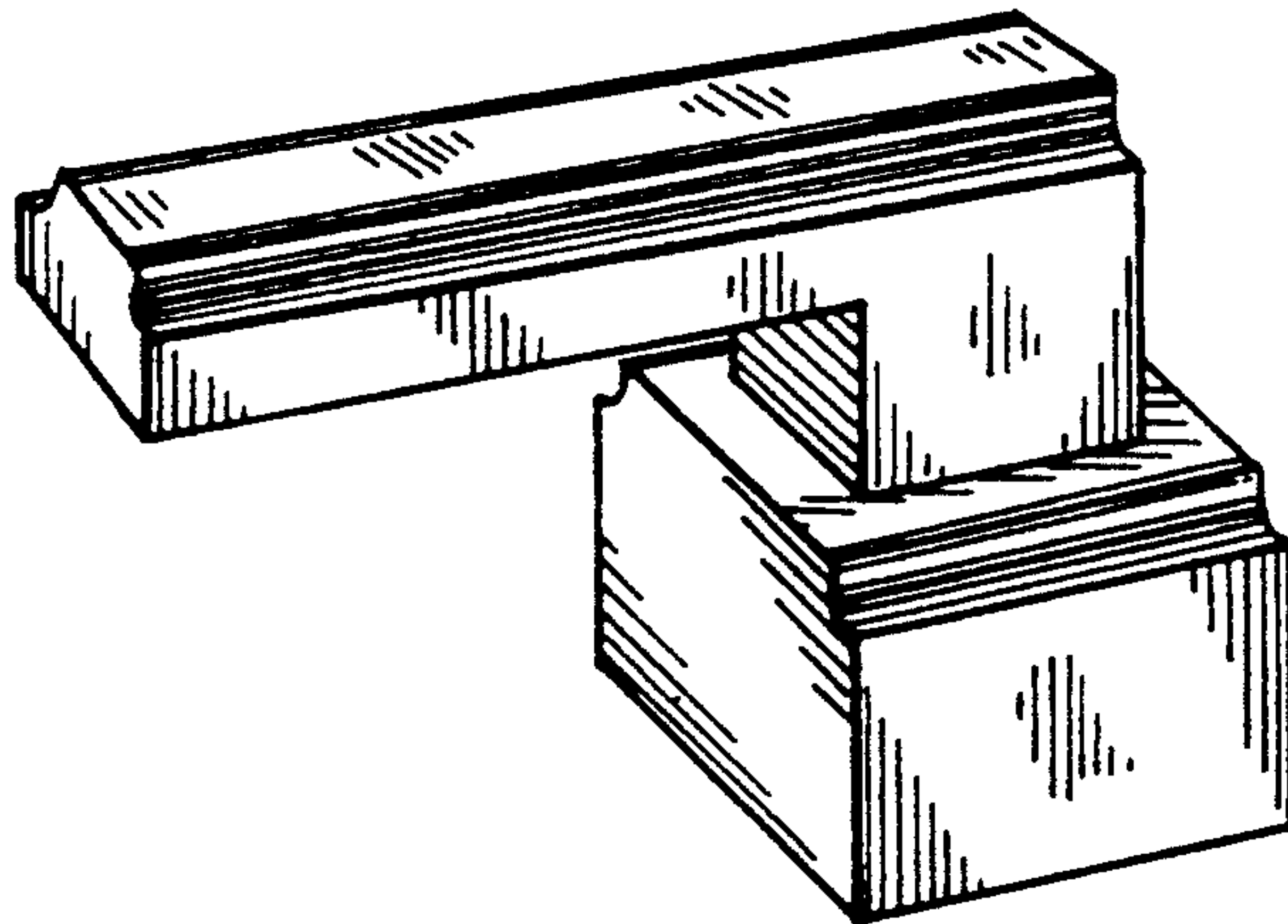


FIG. 1

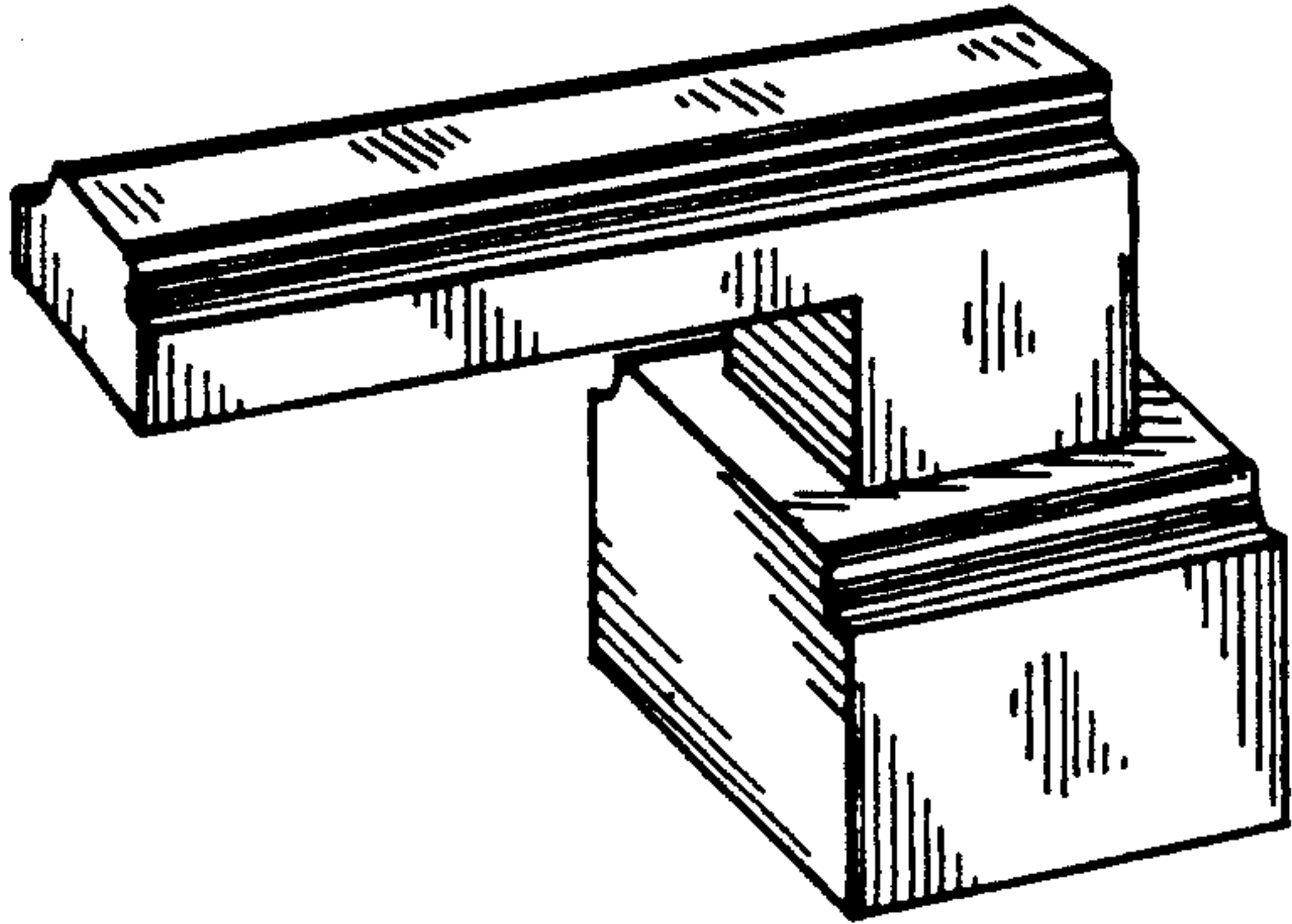


FIG. 2

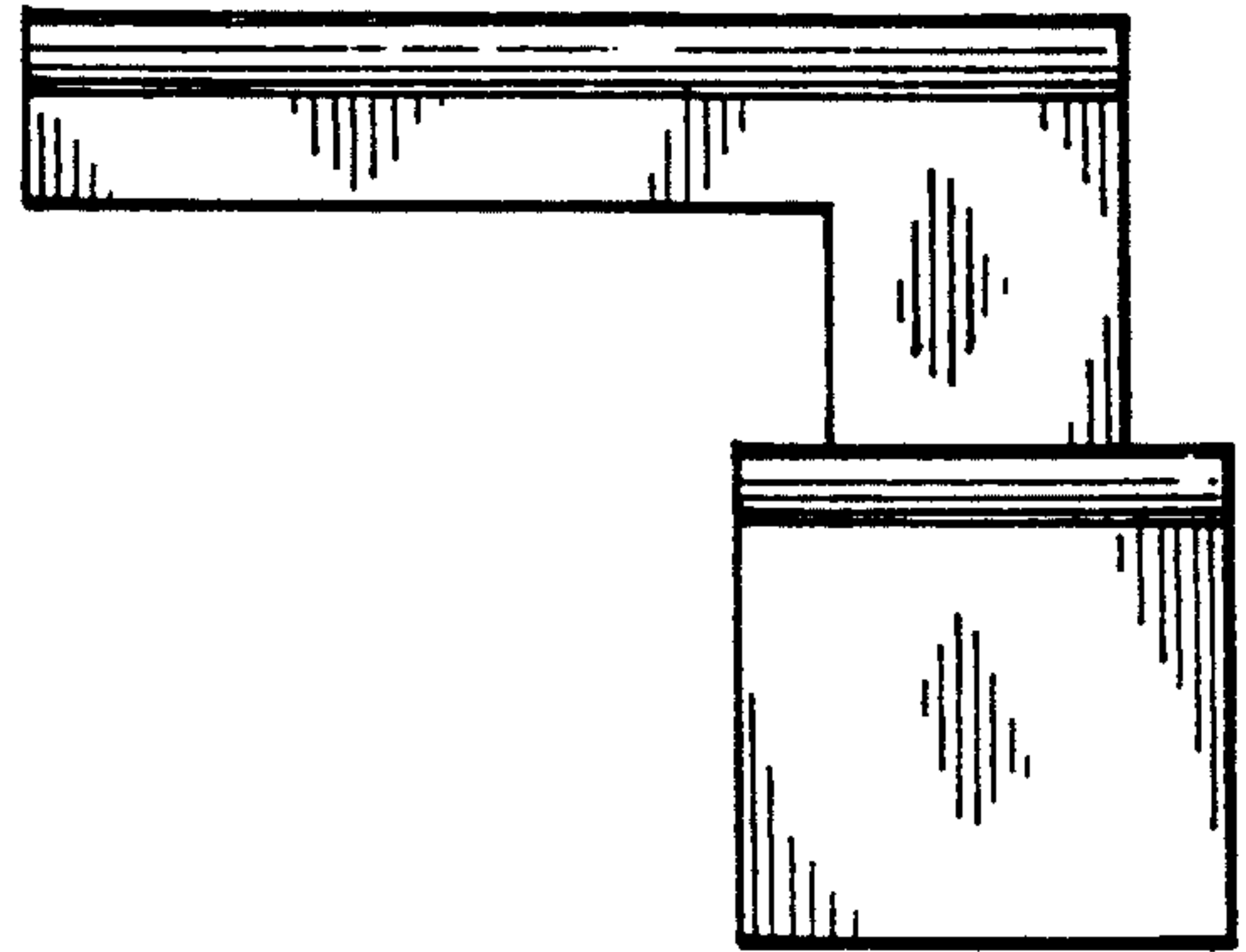


FIG. 3

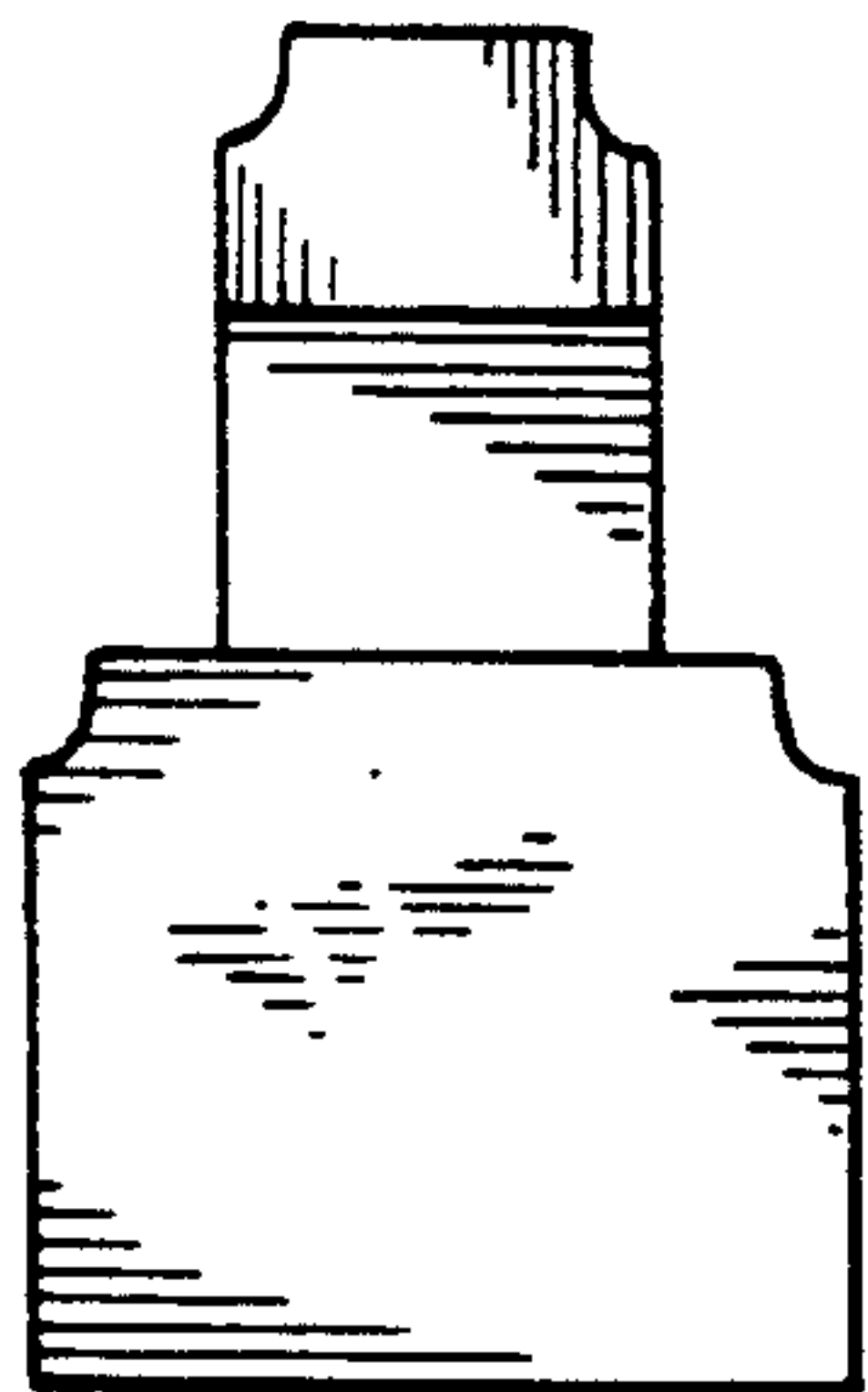


FIG. 4

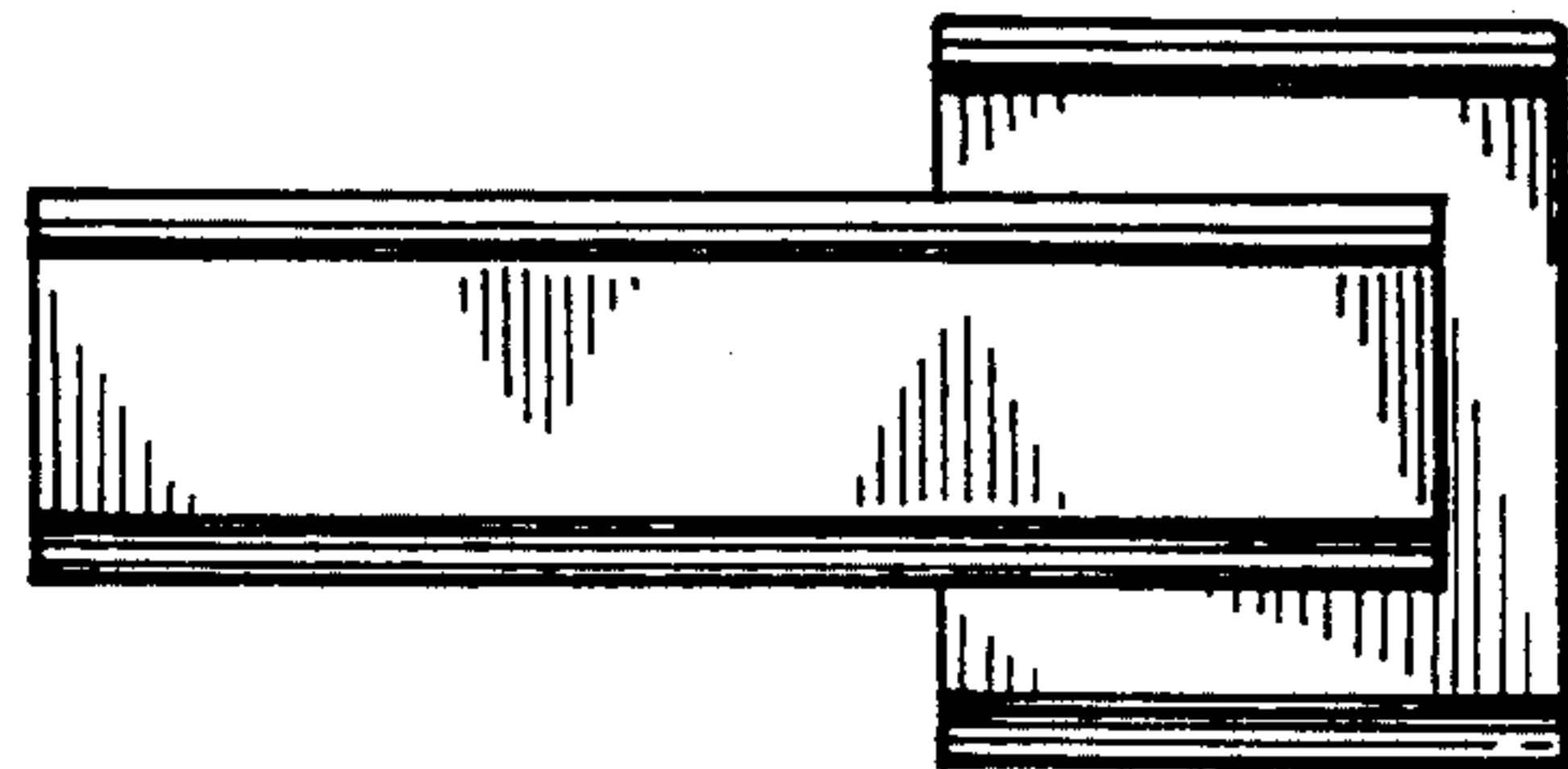


FIG. 6

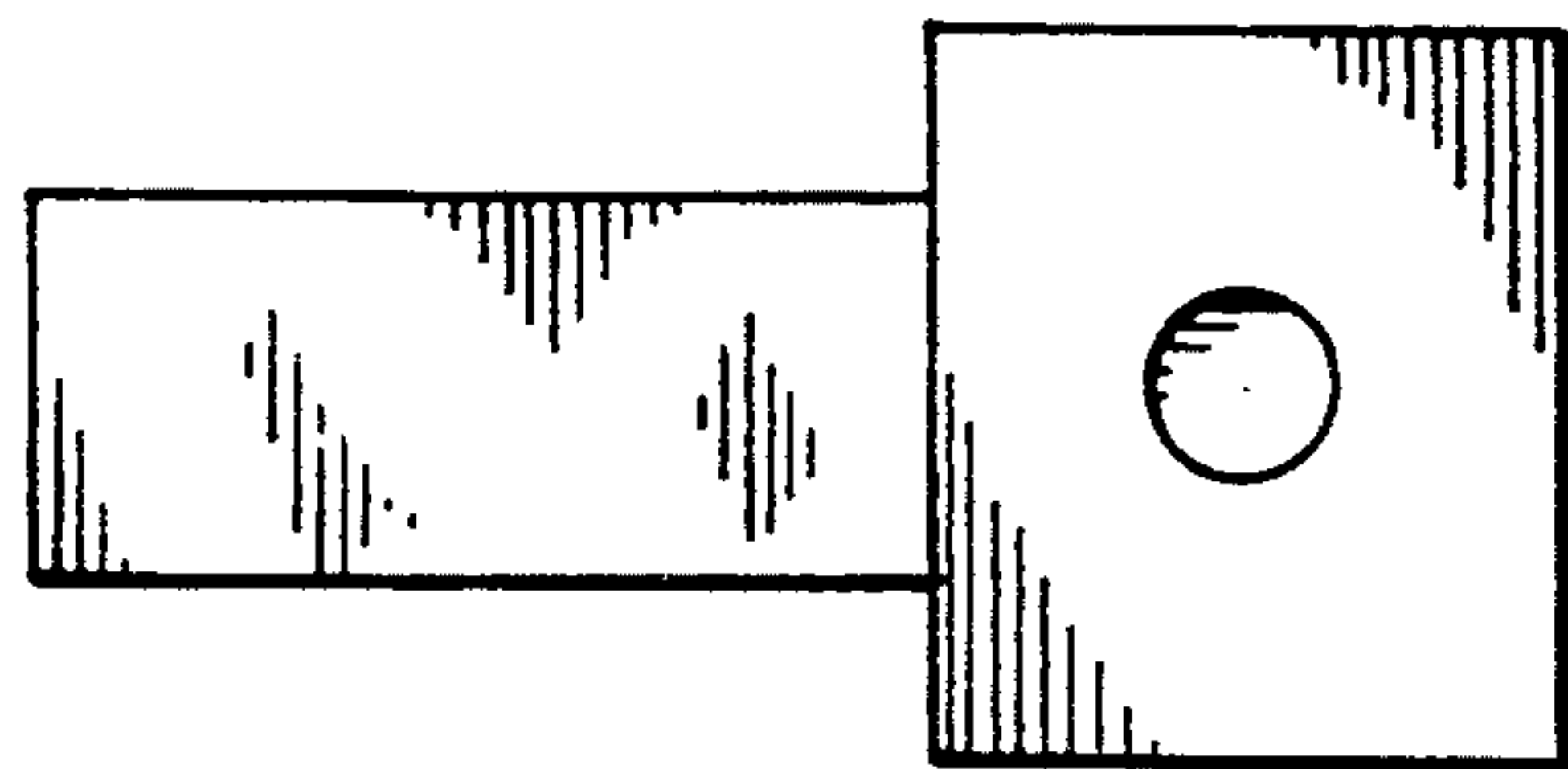


FIG. 5

