



US00D347264S

United States Patent [19]

Gottwald

[11] Patent Number: **Des. 347,264**

[45] Date of Patent: **** May 24, 1994**

[54] **SHOWER FAUCET**

[75] Inventor: **Adolf Gottwald, Iserlohn, Fed. Rep. of Germany**

[73] Assignee: **Friedrich Grohe Aktiengesellschaft, Hemer, Fed. Rep. of Germany**

[**] Term: **14 Years**

[21] Appl. No.: **882,317**

[22] Filed: **May 13, 1992**

[30] **Foreign Application Priority Data**

Nov. 25, 1991 [DE] Fed. Rep. of Germany 9108292

[52] U.S. Cl. **D23/238**

[58] Field of Search **D8/300, 307-311; 4/675-678; 16/110 R, 118, 121; D23/238-243, 250-254**

[56] **References Cited**

U.S. PATENT DOCUMENTS

- D. 245,093 7/1977 Saether D23/241
- D. 258,676 3/1981 Colani D23/241 X
- D. 291,114 7/1987 Piesco D23/239

- D. 293,599 1/1988 Bergmann et al. D23/238 X
- D. 293,816 1/1988 Bergmann et al. D23/238
- D. 312,118 11/1990 Son D23/238
- D. 315,194 3/1991 Haug et al. D23/238
- D. 339,629 9/1993 Gottwald D23/241
- D. 339,848 9/1993 Gottwald D23/241
- 4,750,519 6/1988 Chao-Chun 137/625.4 X
- 5,148,551 9/1992 Humpert et al. 4/677

Primary Examiner—James R. Largen
Attorney, Agent, or Firm—Herbert Dubno; Ronald Liandis

[57] **CLAIM**

The ornamental design for a shower faucet, as shown.

DESCRIPTION

FIG. 1 is a perspective view taken from the top, front and left side of a shower faucet shower showing my new design;

FIG. 2 is a front elevational view thereof;

FIG. 3 is a rear elevational view thereof;

FIG. 4 is a right side elevational view thereof;

FIG. 5 is a left side elevational view thereof;

FIG. 6 is a top view thereof; and,

FIG. 7 is a bottom view thereof.

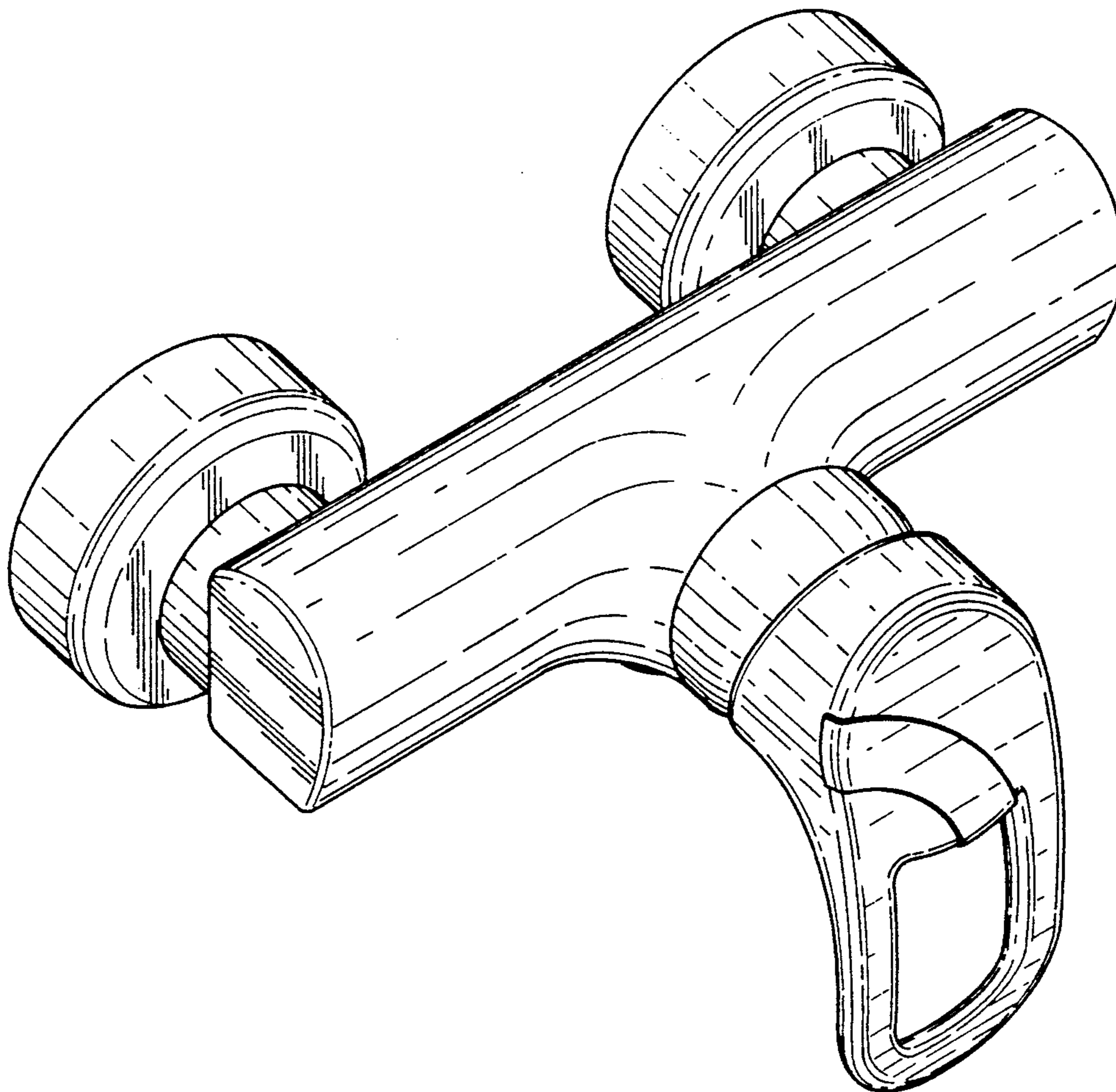


FIG. 1

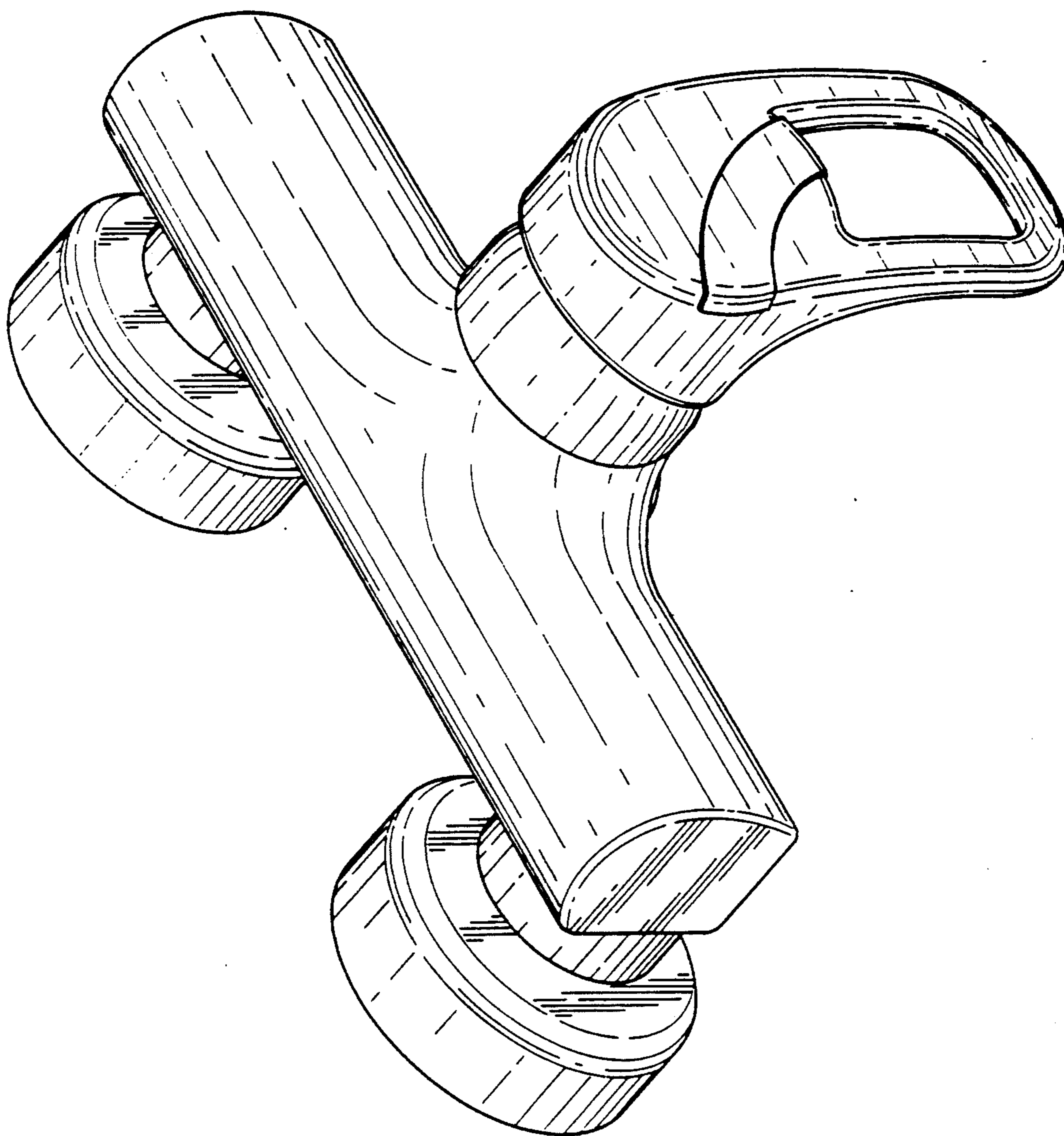


FIG. 2

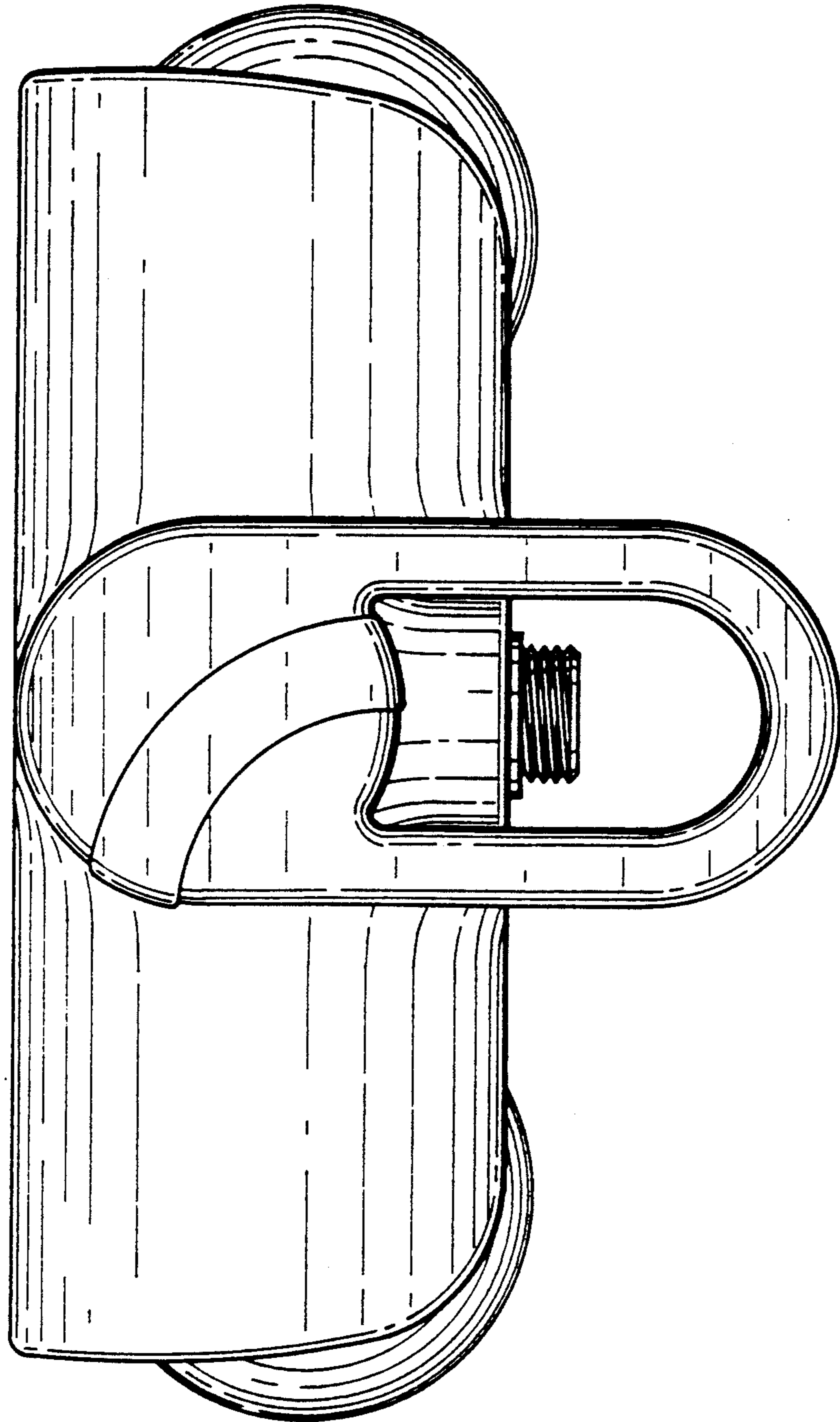
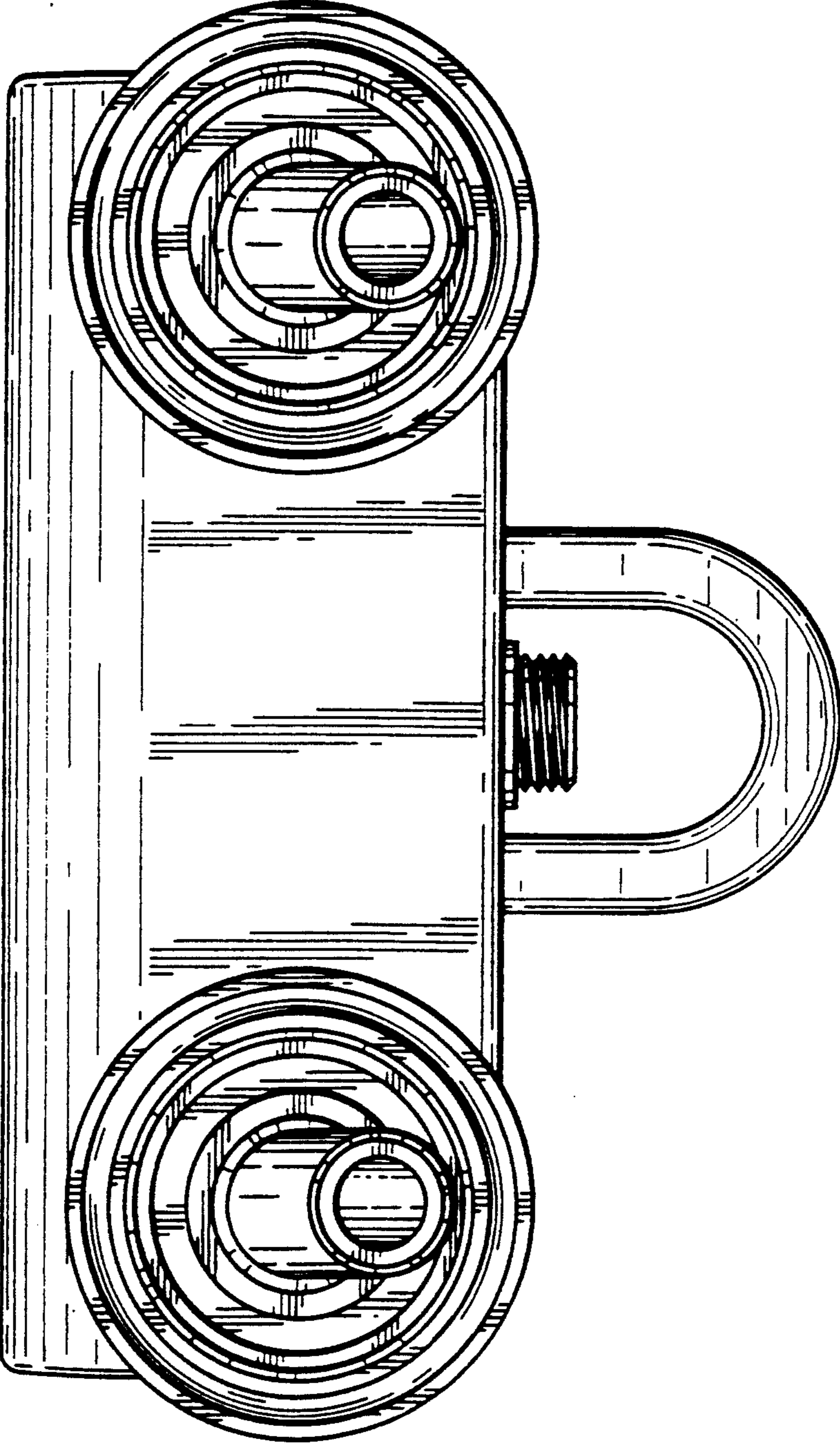


FIG. 3



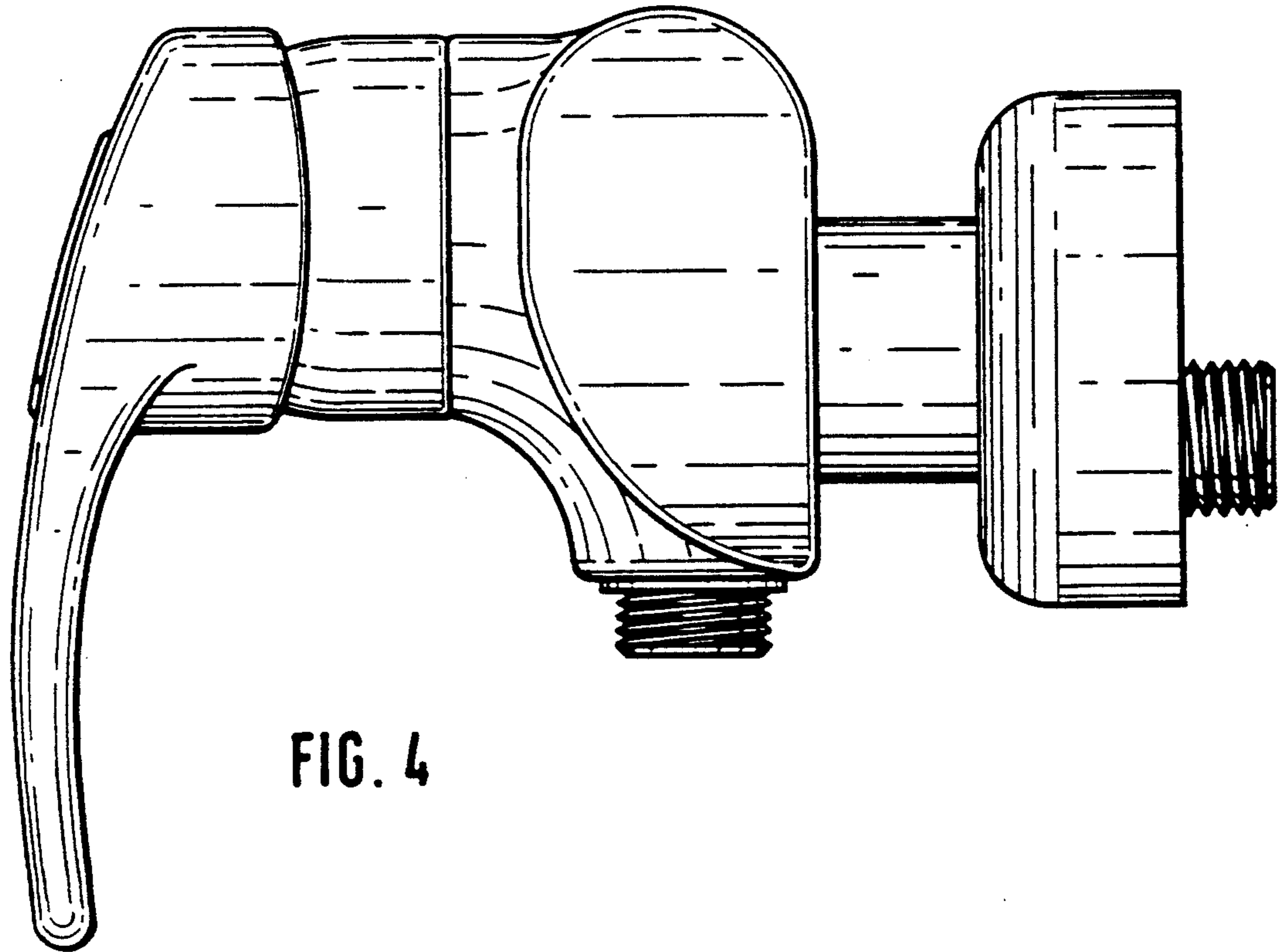


FIG. 4

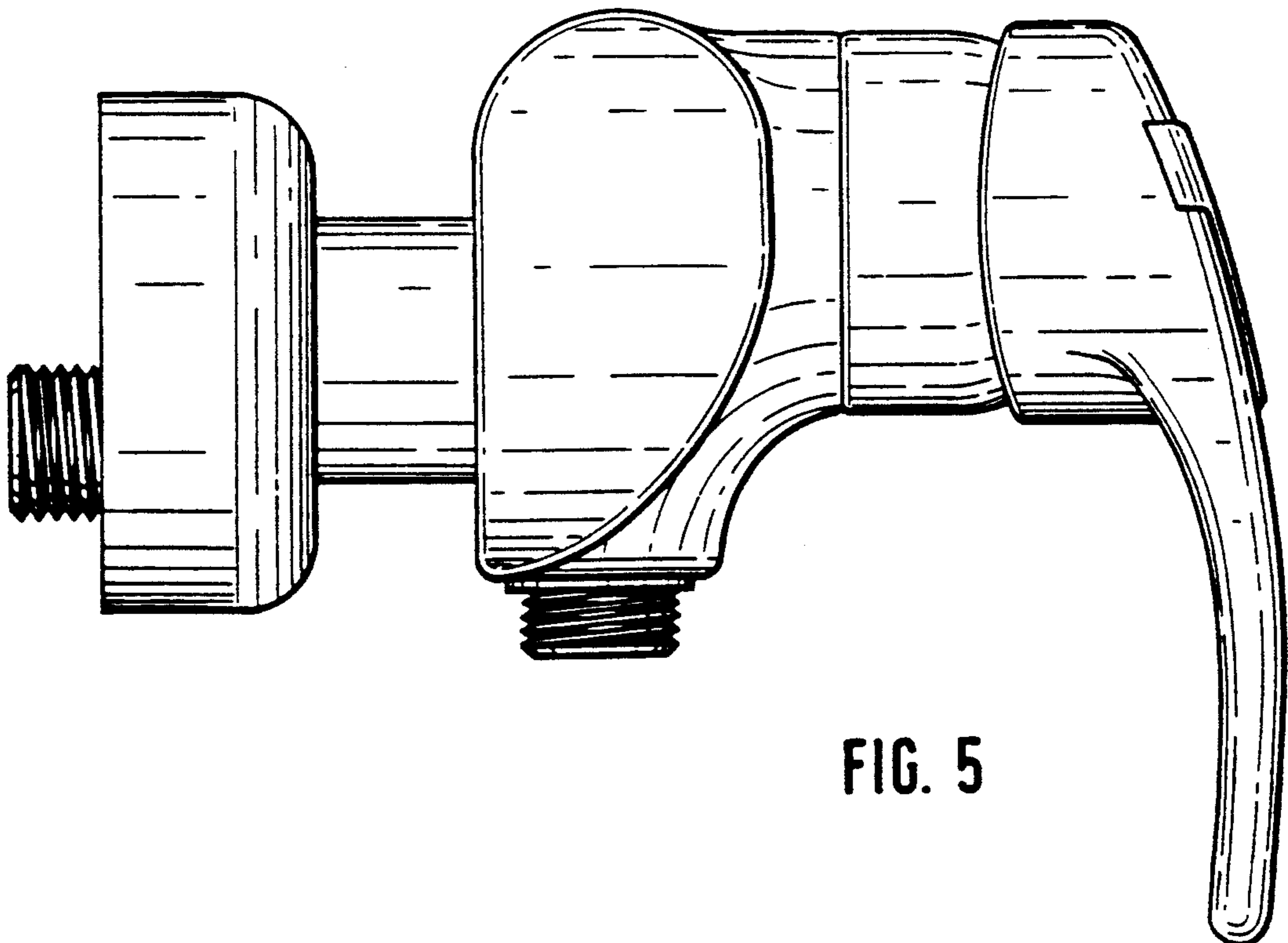


FIG. 5

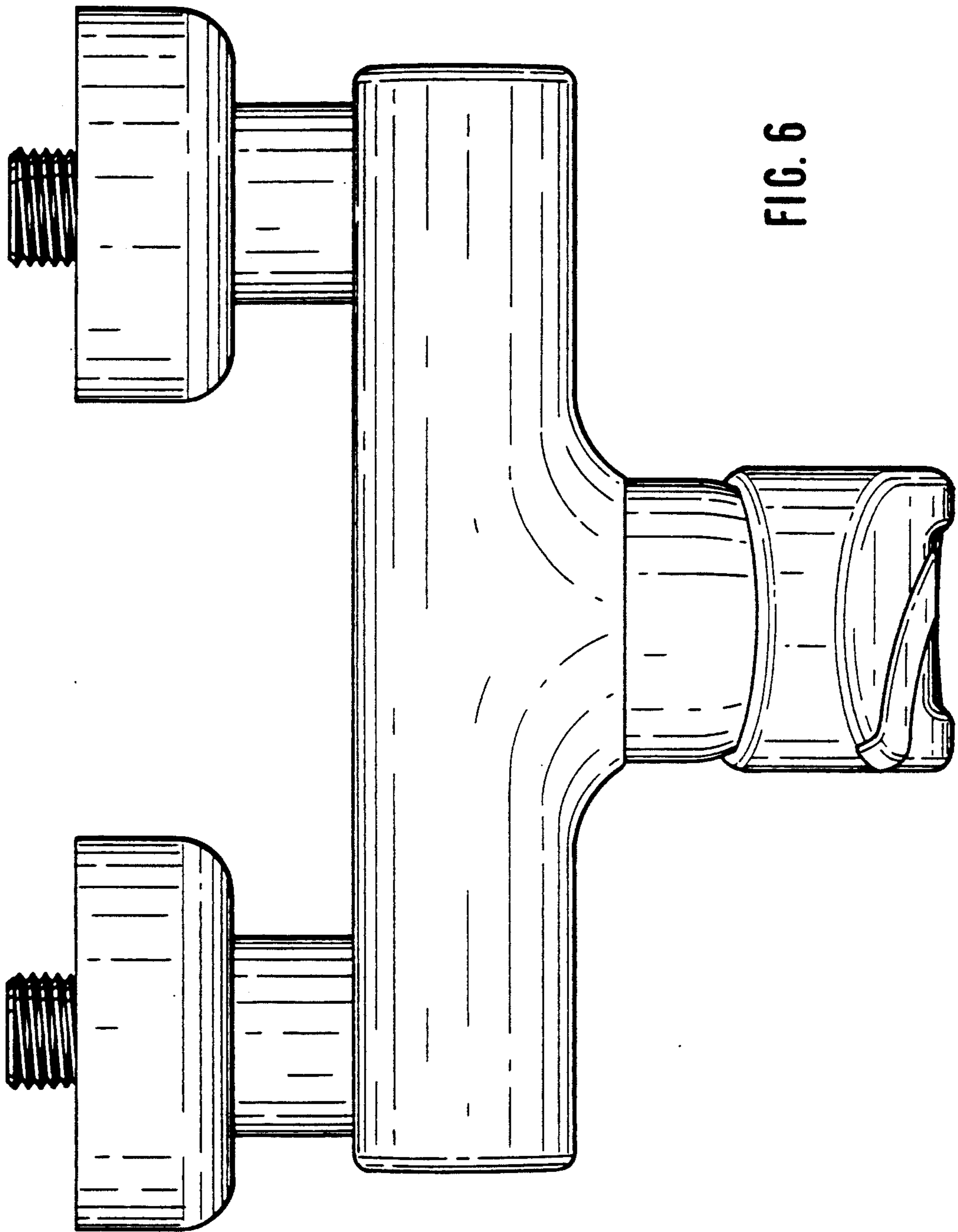


FIG. 6

FIG. 7

