



US00D347262S

United States Patent [19]

[11] Patent Number: **Des. 347,262**

Black et al.

[45] Date of Patent: **** May 24, 1994**

[54] **ADJUSTABLE UNIT FOR A DUAL HEADED SHOWER FIXTURE**

[75] Inventors: **David Black, Coral Gables, Fla.; Timothy A. Wedemyer, Bedford, N.H.; Mark Shufelt, Albion, Pa.**

[73] Assignee: **Hydrokinetic design, Inc., Coral Gables, Fla.**

[**] Term: **14 Years**

[21] Appl. No.: **902,588**

[22] Filed: **Jun. 22, 1992**

[52] U.S. Cl. **D23/230; D23/264; D23/304**

[58] Field of Search **4/596, 601-606; D23/213, 229, 230, 259, 262, 263, 264, 283, 304**

[56] **References Cited**

U.S. PATENT DOCUMENTS

D. 215,288	9/1969	Thebiay	D23/230
D. 259,054	4/1981	Petersons	D23/230
D. 291,912	9/1987	Fabian	D23/283
D. 316,891	5/1991	Lee	D23/213
D. 329,276	9/1992	Blake	D23/213
D. 331,277	11/1992	Murphy	D23/263
1,354,838	10/1920	Perkins .	
3,666,179	5/1972	Peschcke-Koedt .	
3,669,362	6/1972	Meyerhofer .	
3,685,745	8/1972	Peschcke-Koedt	4/596

3,822,826	7/1974	Wilson	4/601
3,858,252	1/1975	Eichorszt	4/601
3,893,630	7/1975	Bochmann et al. .	
3,971,074	7/1976	Uxfeldt	4/601 X
4,224,700	9/1980	Bloys	4/596 X
4,282,612	8/1981	King	4/596 X
4,865,254	9/1989	Kragle	4/601 X
4,975,993	12/1990	Block et al.	4/601

FOREIGN PATENT DOCUMENTS

227252 9/1958 Australia .

Primary Examiner—James R. Largen
Attorney, Agent, or Firm—Silverman, Cass & Singer, Ltd.

[57] **CLAIM**

The ornamental design of an adjustable unit for dual headed shower, as shown and described.

DESCRIPTION

FIG. 1 is a perspective view of an adjustable unit for a dual headed fixture showing our new design; FIG. 2 is a front elevational view thereof; FIG. 3 is a right side elevational view thereof, the left side being a mirror image of the right side; FIG. 4 is a rear elevational view thereof; FIG. 5 is a top plan view thereof; and, FIG. 6 is a bottom plan view thereof. The broken line representation of shower heads in FIG. 1 is for purposes of illustration only and forms no part of the claimed design.

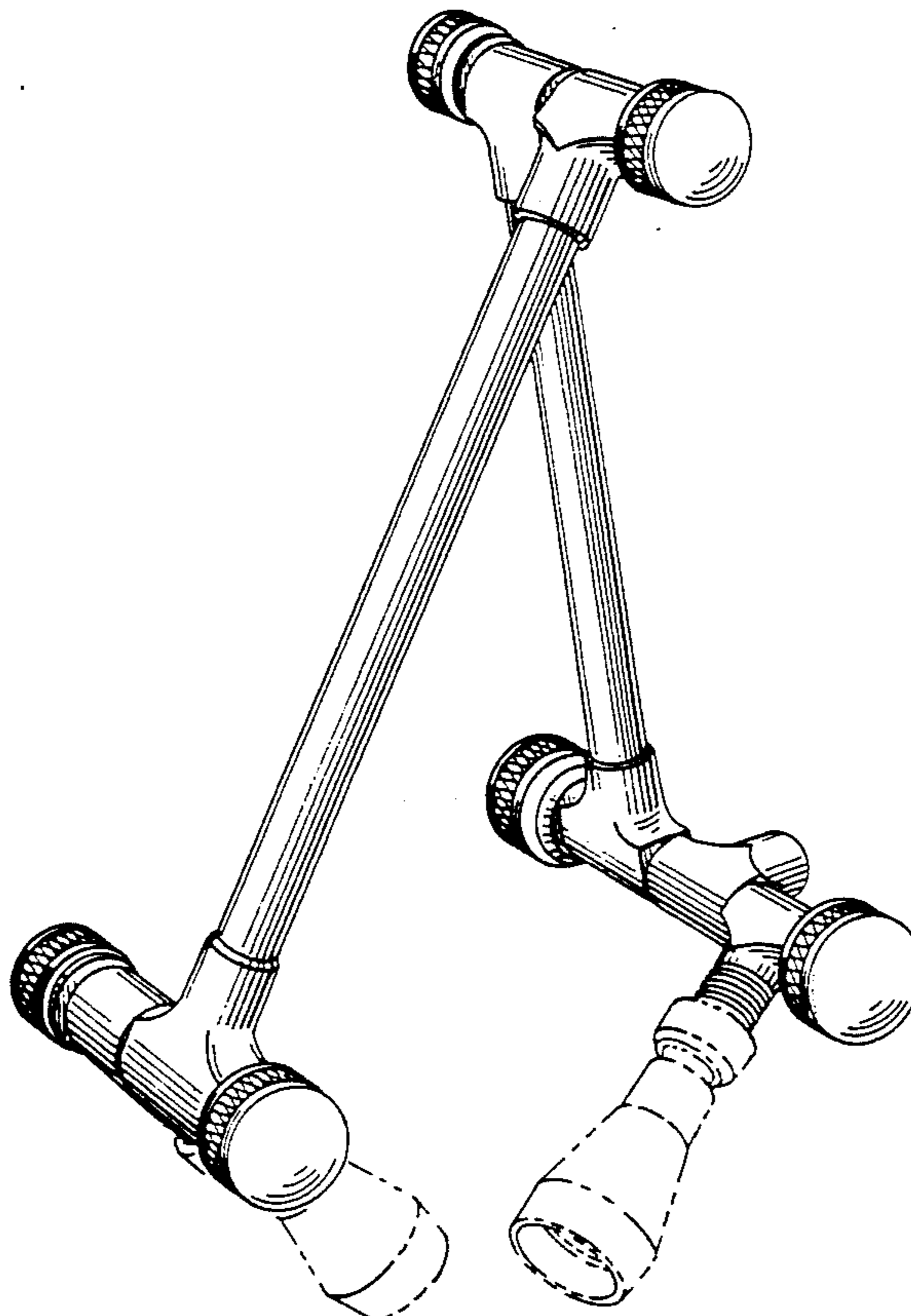


Fig. 1

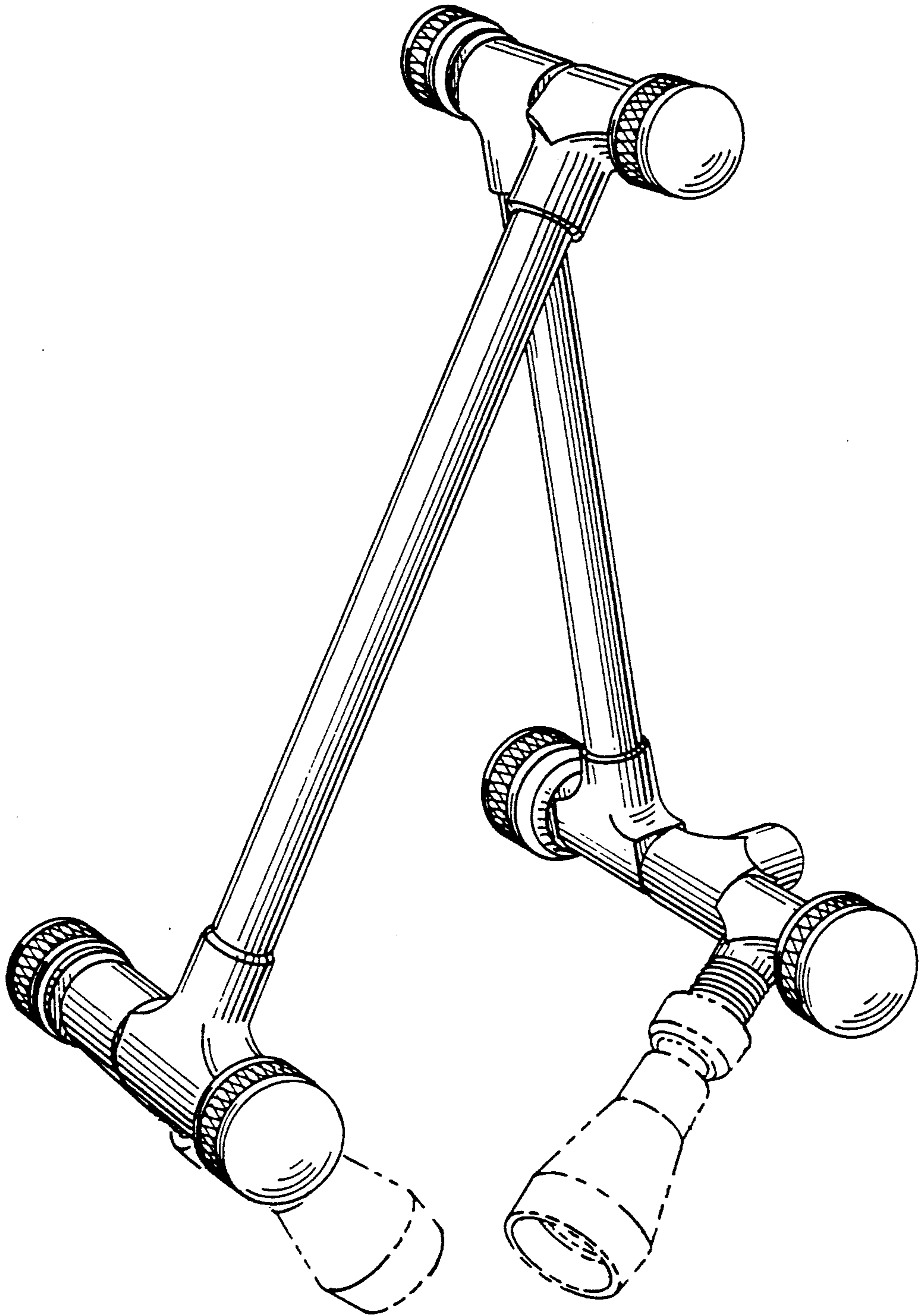


Fig. 2

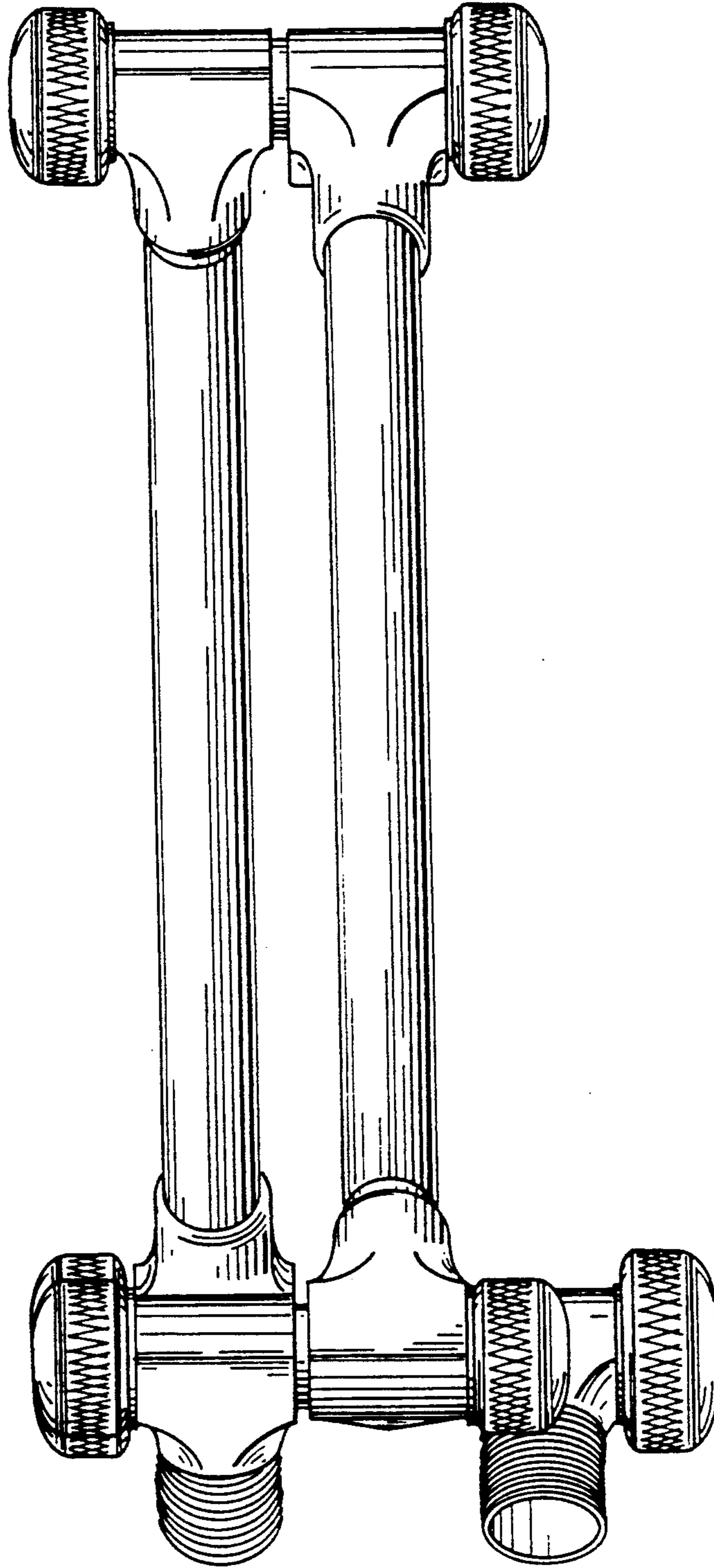


Fig. 3

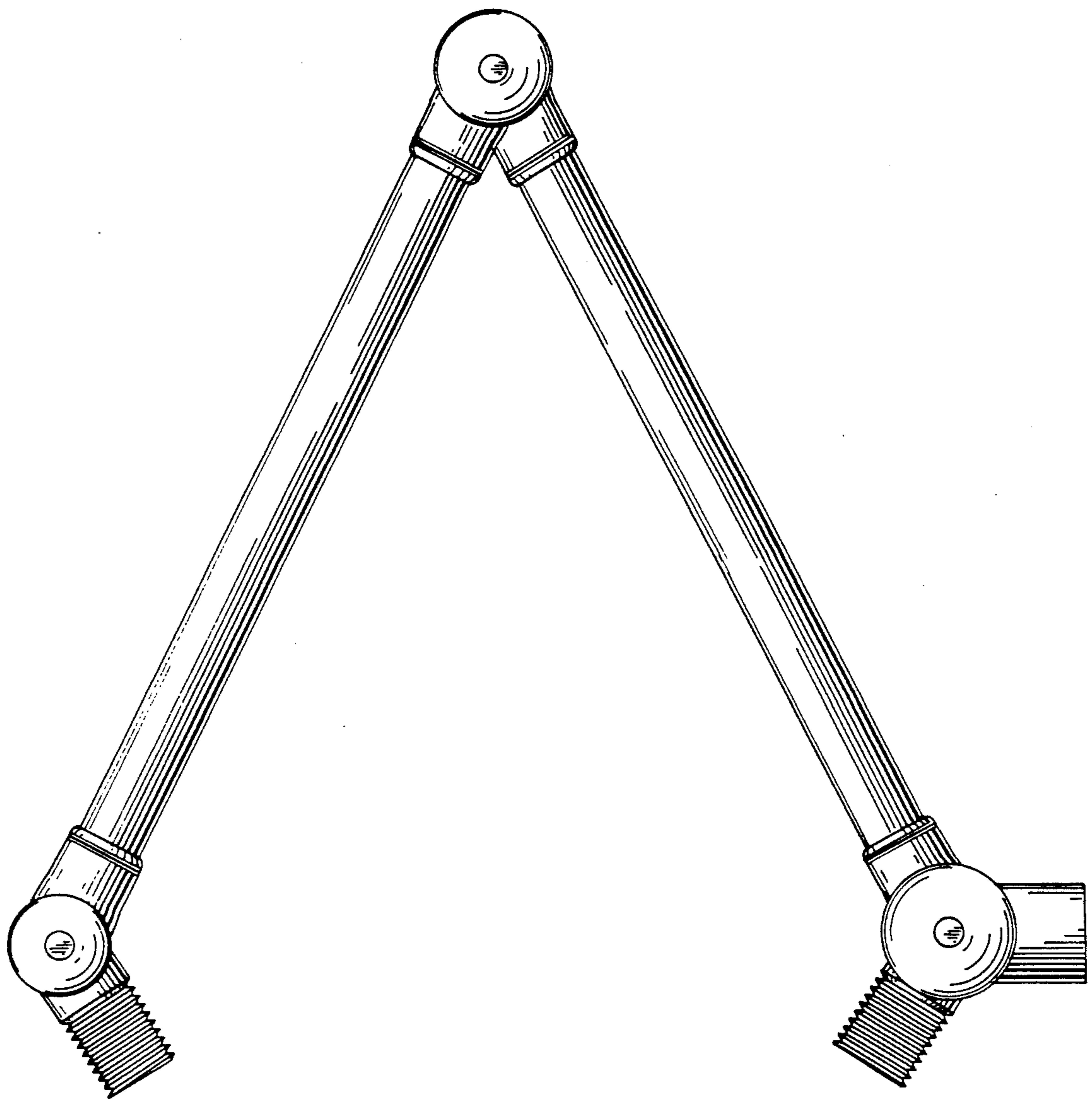


Fig. 4

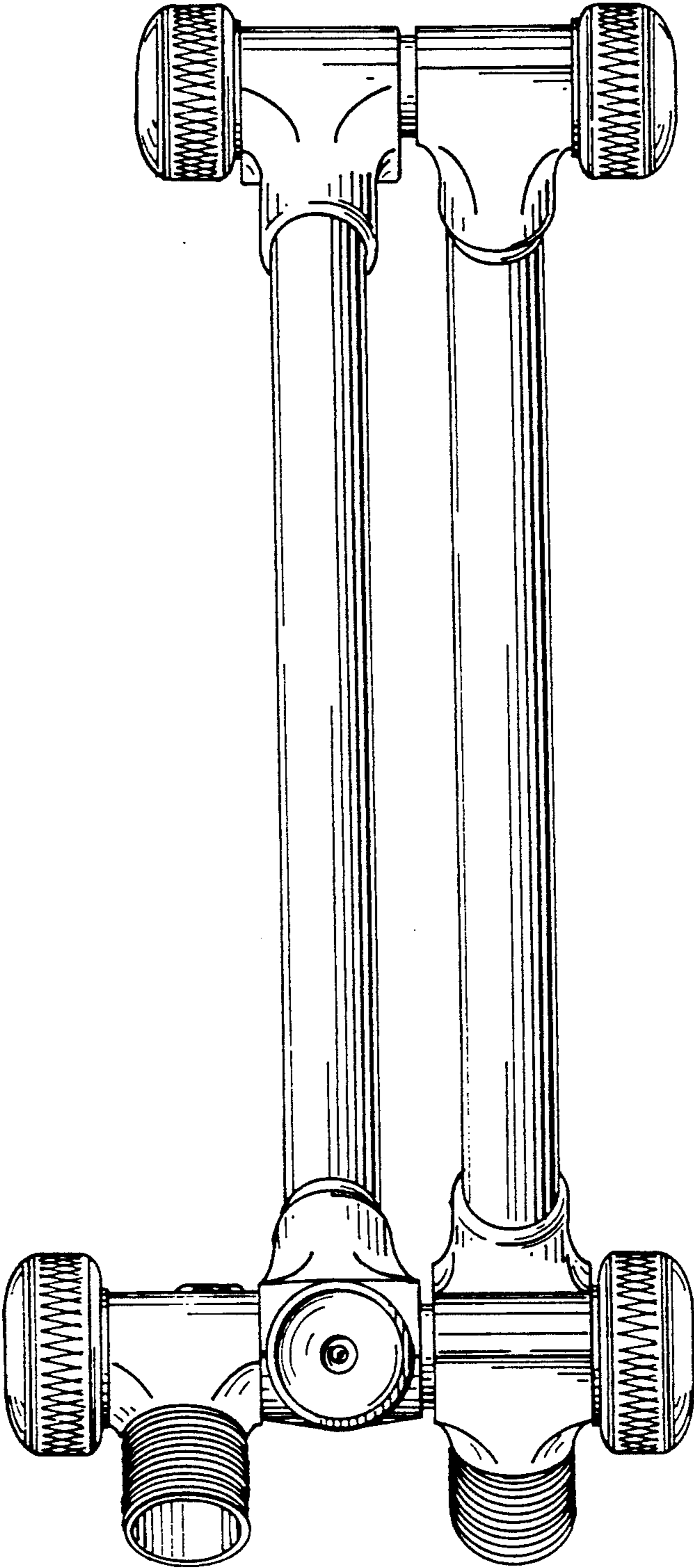


Fig. 5

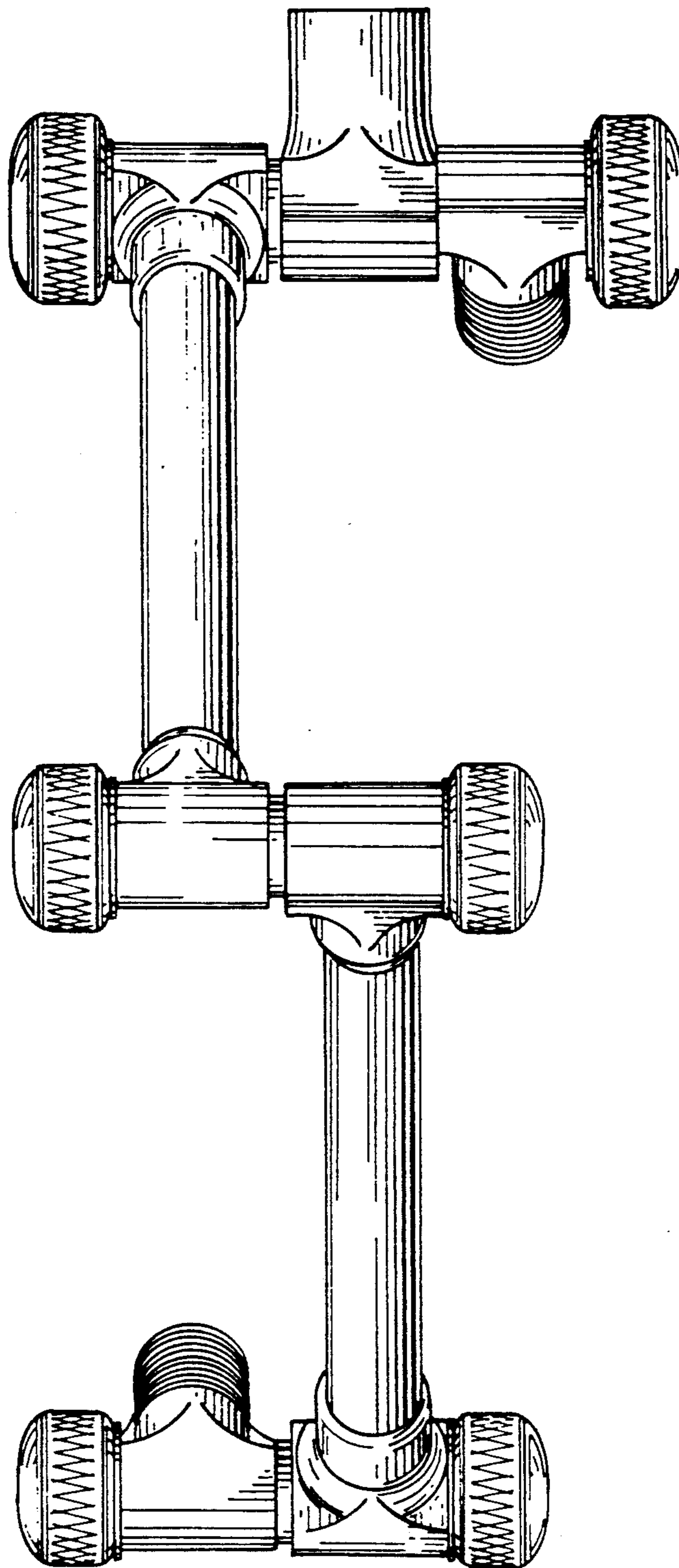


Fig. 6

