



US00D347261S

United States Patent [19]

[11] Patent Number: **Des. 347,261**

Berfield et al.

[45] Date of Patent: **** May 24, 1994**

[54] **PRESSURE WASHER**

[75] Inventors: **Robert C. Berfield, Jersey Shore; Craig A. Seasholtz, Avis, both of Pa.**

[73] Assignee: **Shop-Vac Corporation, Williamsport, Pa.**

[**] Term: **14 Years**

[21] Appl. No.: **875,727**

[22] Filed: **Apr. 29, 1992**

D. 325,955	5/1992	Ali	D23/225
D. 326,137	5/1992	Ali	D23/225
2,201,080	5/1940	Clark	D23/225
3,058,668	10/1962	Marmes et al.	D23/225 X
4,313,683	11/1983	Hune	137/382
4,925,105	5/1990	Lin	239/332
4,993,457	2/1991	Berfield	137/259

Related U.S. Application Data

[62] Division of Ser. No. 580,504, Sep. 11, 1990, Pat. No. D. 334,972.

[52] U.S. Cl. **D23/225**

[58] Field of Search 137/259, 315, 377, 382, 137/559, 565; 220/3.2, 23.83, 23.86; 239/301-302, 310, 315, 317-318, 323, 332, 414-415, 532; D23/200, 213-232, 202

References Cited

U.S. PATENT DOCUMENTS

D. 243,690	3/1977	Doyel	D23/225
D. 258,380	2/1981	Briar	D23/225
D. 270,856	10/1983	Peets et al.	D23/202
D. 285,242	8/1986	Hengesbach	D23/226
D. 285,244	8/1986	Clivio et al.	D23/225
D. 292,133	9/1987	Proctor et al.	D23/225
D. 324,562	3/1992	Heitz	D23/213

OTHER PUBLICATIONS

Williams-Sonoma Gardener's Eden Catalogue, Double-Action Spray, p. IV, Mar. 17, 1988.

Primary Examiner—Wallace R. Burke

Assistant Examiner—M. H. Tung

Attorney, Agent, or Firm—Marshall, O'Toole, Gerstein, Murray & Borun

[57] CLAIM

The ornamental design for a pressure washer, as shown and described.

DESCRIPTION

FIG. 1 is a perspective view of a pressure washer in accordance with the present invention, on a reduced scale;

FIG. 2 is a right side view thereof;

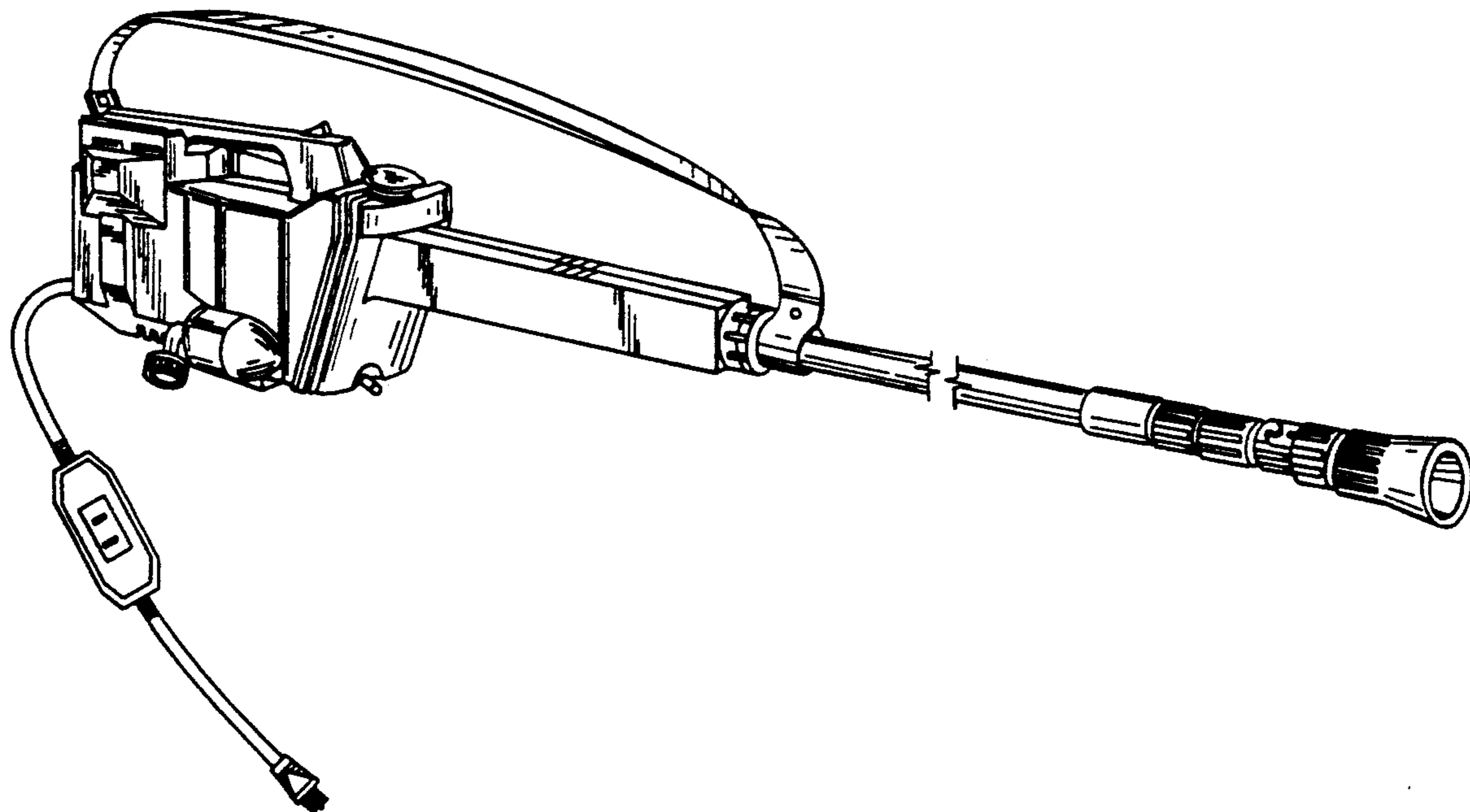
FIG. 3 is a left side view thereof;

FIG. 4 is a top view thereof;

FIG. 5 is a bottom view thereof;

FIG. 6 is a front view thereof; and,

FIG. 7 is a rear view thereof.



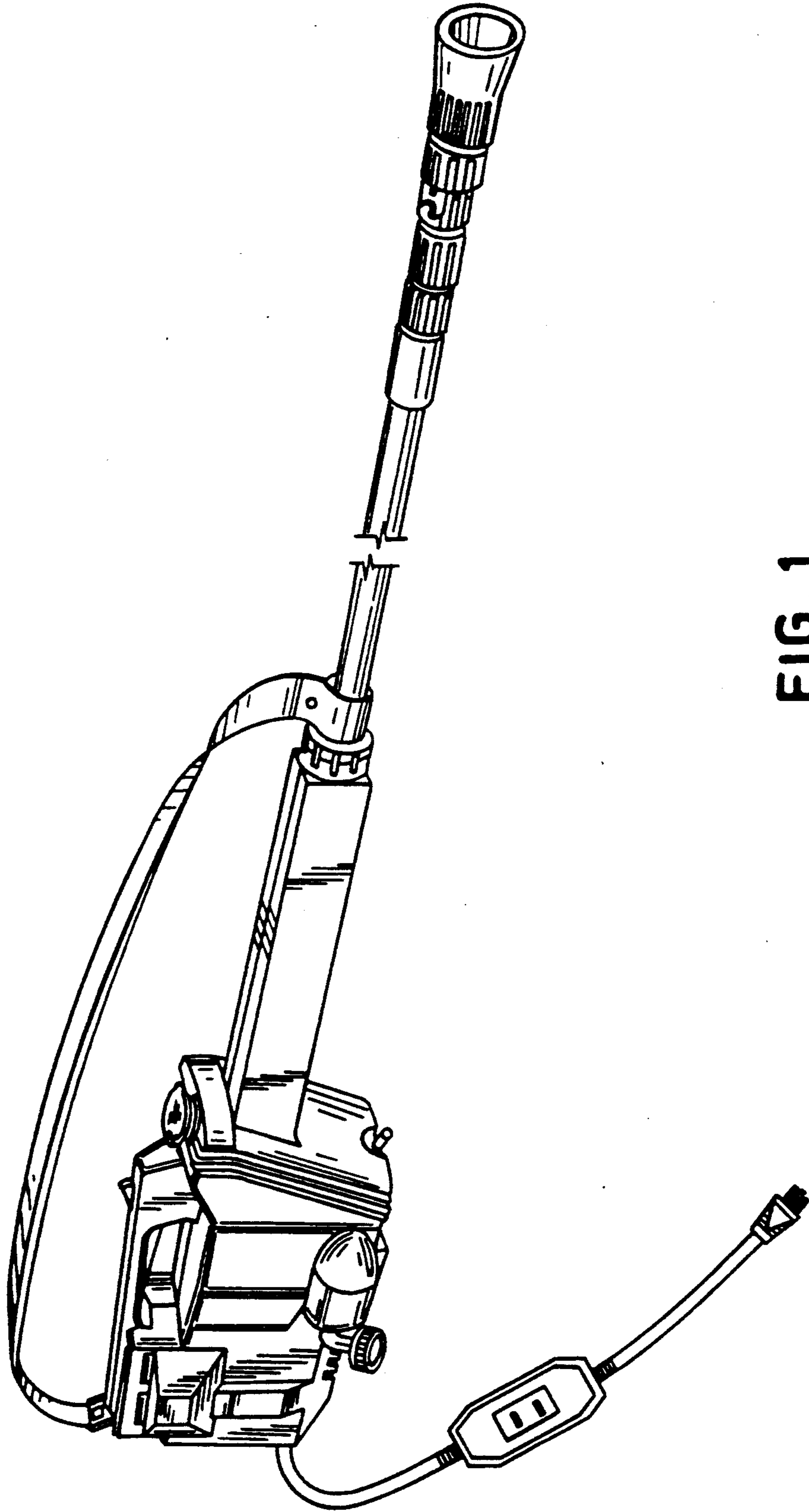


FIG. 1

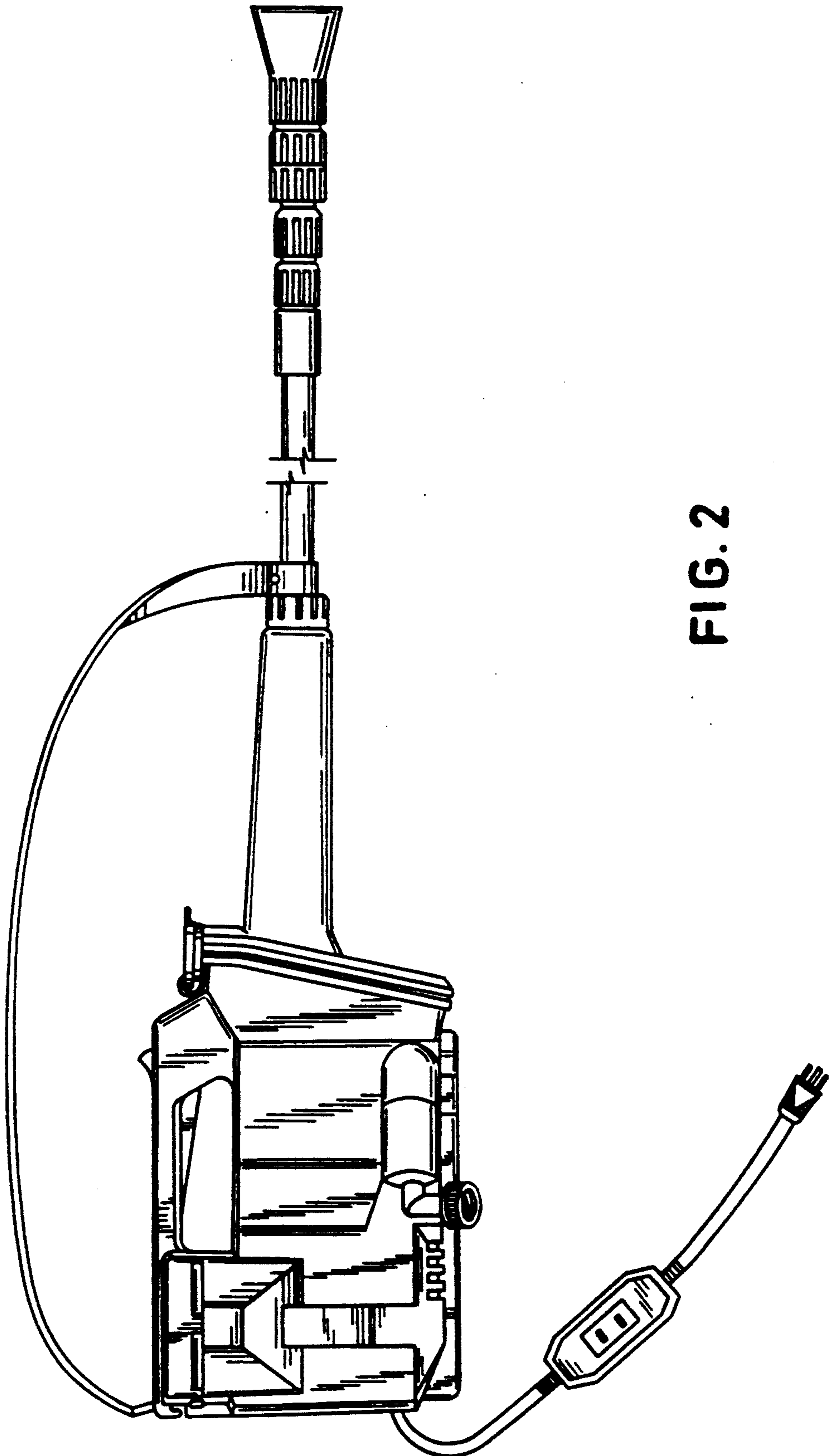


FIG. 2

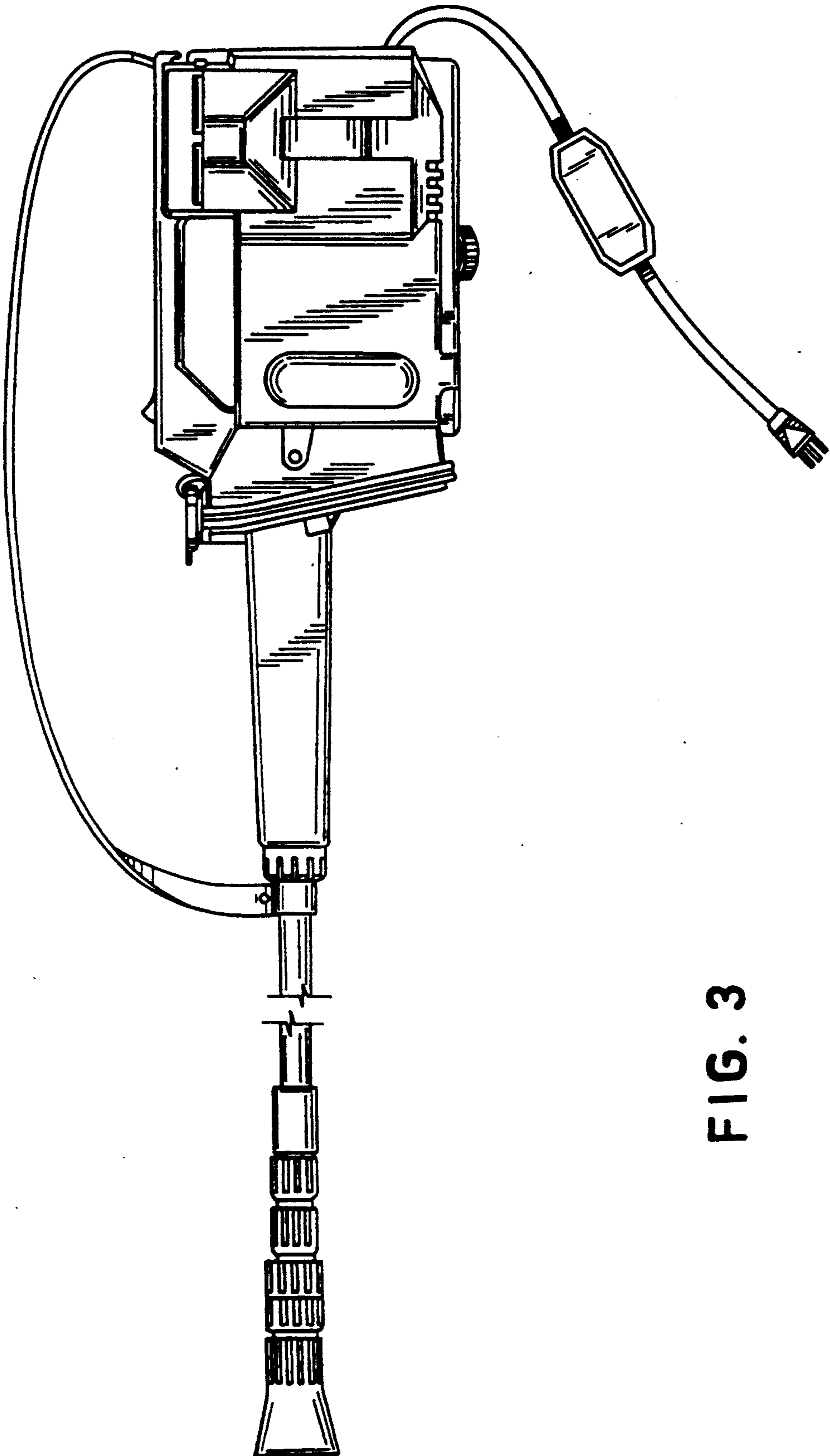


FIG. 3

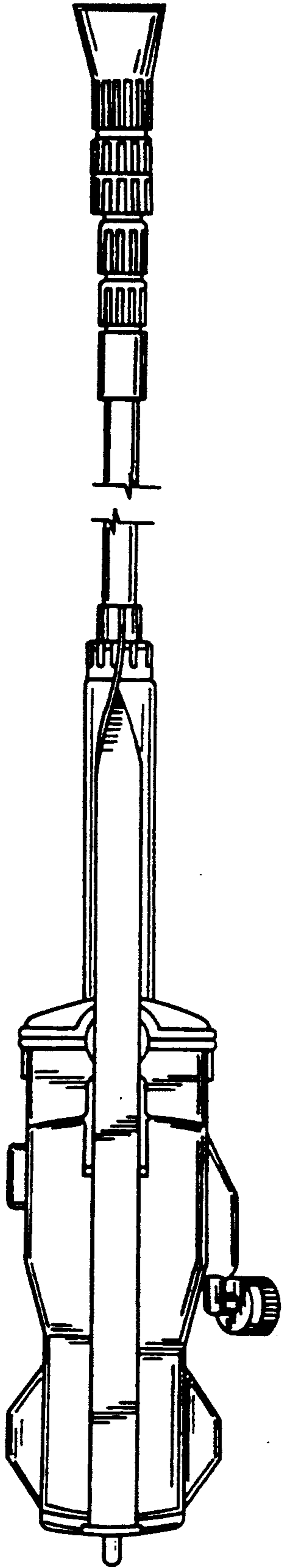


FIG. 4

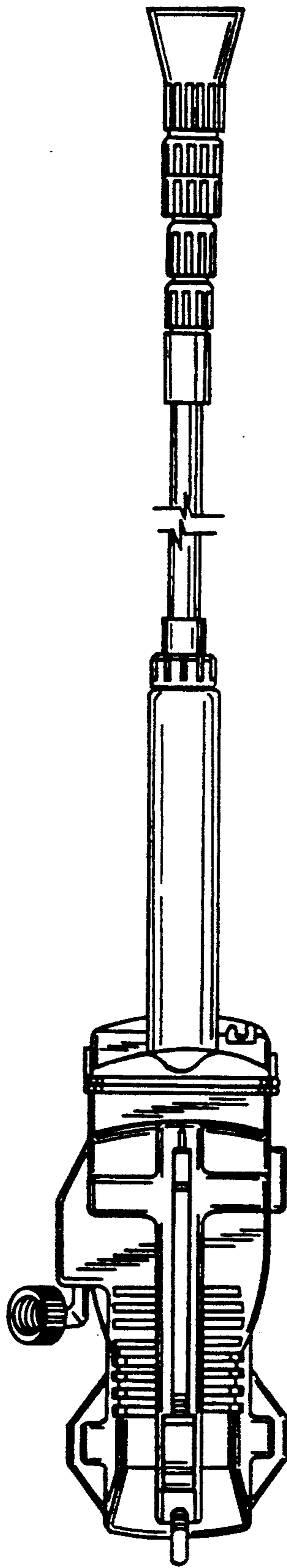


FIG. 5

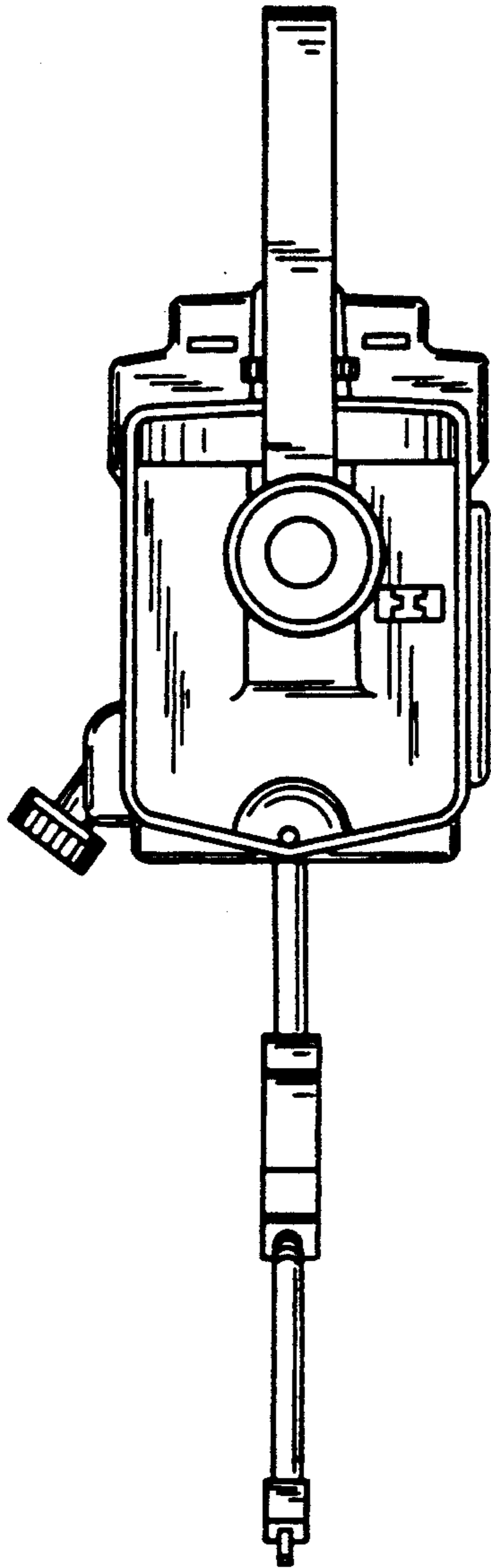


FIG. 6

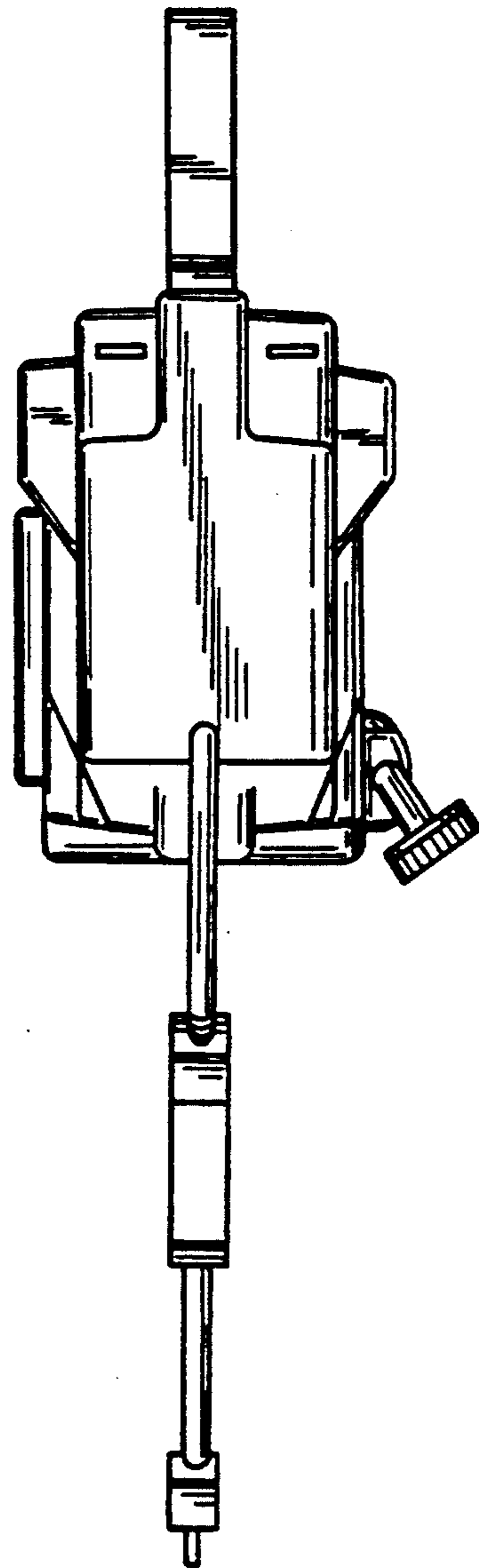


FIG. 7