



US00D347259S

# United States Patent [19]

[11] Patent Number: **Des. 347,259**

Fewell et al.

[45] Date of Patent: **\*\* May 24, 1994**

[54] **SPRINKLER HEAD PROTECTOR**

3,662,956	5/1972	Hedman .....	239/288.5
4,763,838	8/1988	Holcomb .....	239/288
5,005,767	4/1991	Heren .....	239/288
5,037,030	8/1991	Apodaca .....	239/288

[76] Inventors: **Mavis Fewell; Joe Fewell**, both of  
11602 Candy La., Garden Grove,  
Calif. 92640

*Primary Examiner*—Wallace R. Burke  
*Assistant Examiner*—Robin Taylor  
*Attorney, Agent, or Firm*—Terry M. Gernstein

[\*\*] Term: **14 Years**

[21] Appl. No.: **933,036**

[57] **CLAIM**

[22] Filed: **Aug. 20, 1992**

The ornamental design for a sprinkler head protector, as shown and described.

[52] U.S. Cl. .... **D23/214; D23/227**

[58] Field of Search ..... 239/201, 288.5, 203-206;  
D23/213, 214, 227

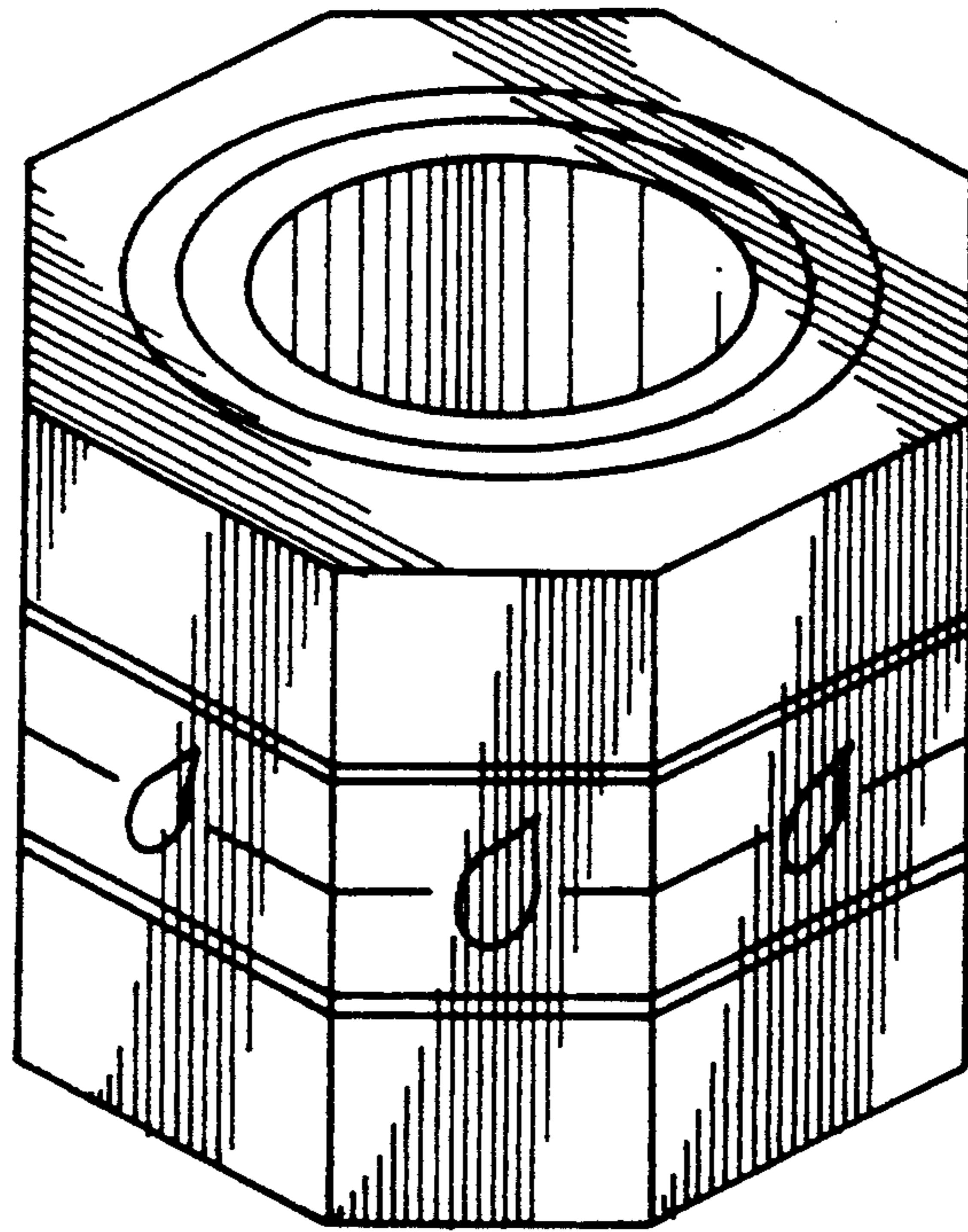
**DESCRIPTION**

[56] **References Cited**

**U.S. PATENT DOCUMENTS**

D. 276,453	11/1984	DeVroom .....	D23/214
3,018,057	1/1962	Anderson .....	D23/227

FIG. 1 is top and side perspective view of the sprinkler head protector showing our new design; FIG. 2 is a side elevational view thereof, all side elevational views being identical to FIG. 2; FIG. 3 is a top plan view thereof; and, FIG. 4 is a bottom plan view thereof.



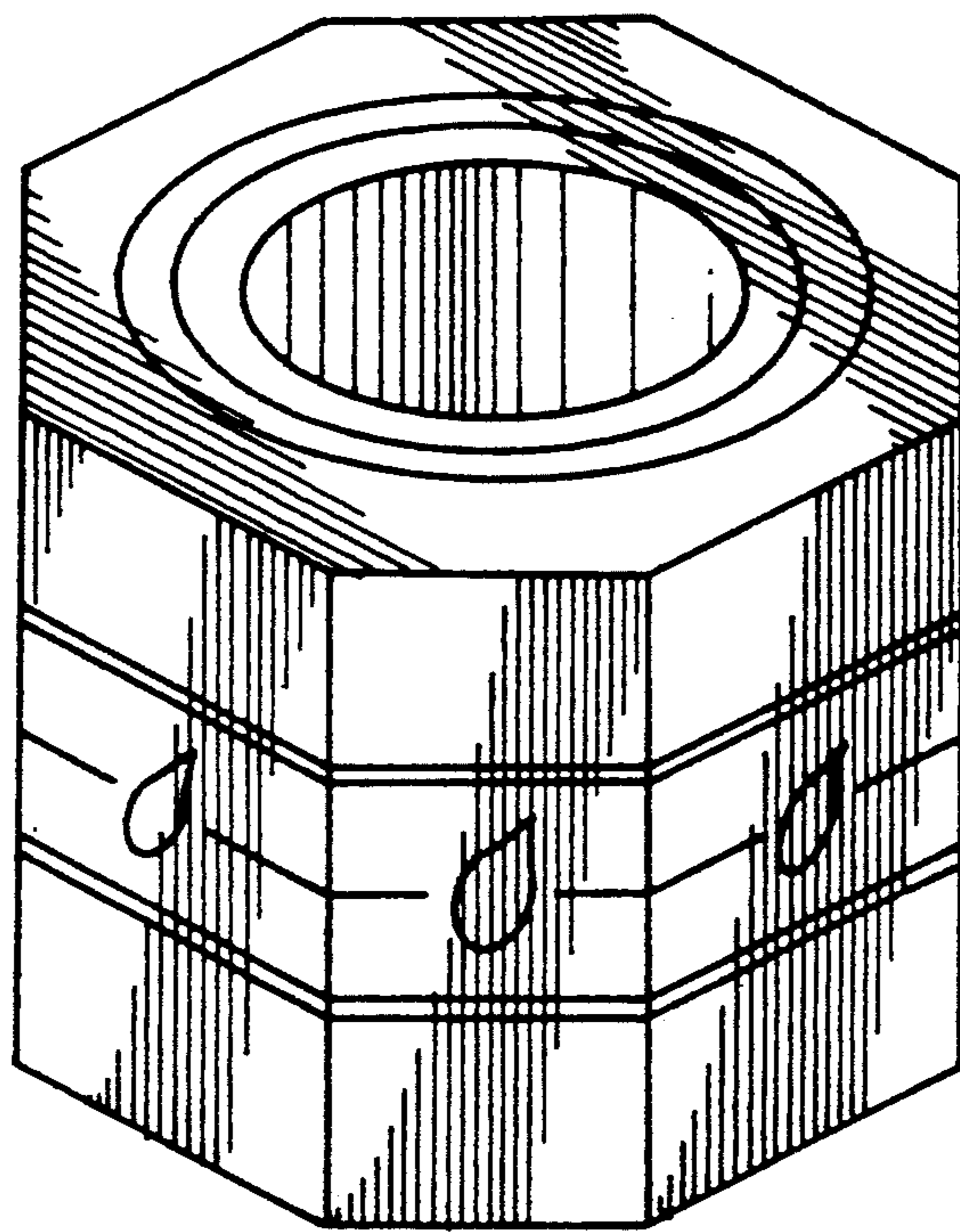


FIG. 1.

FIG. 2.

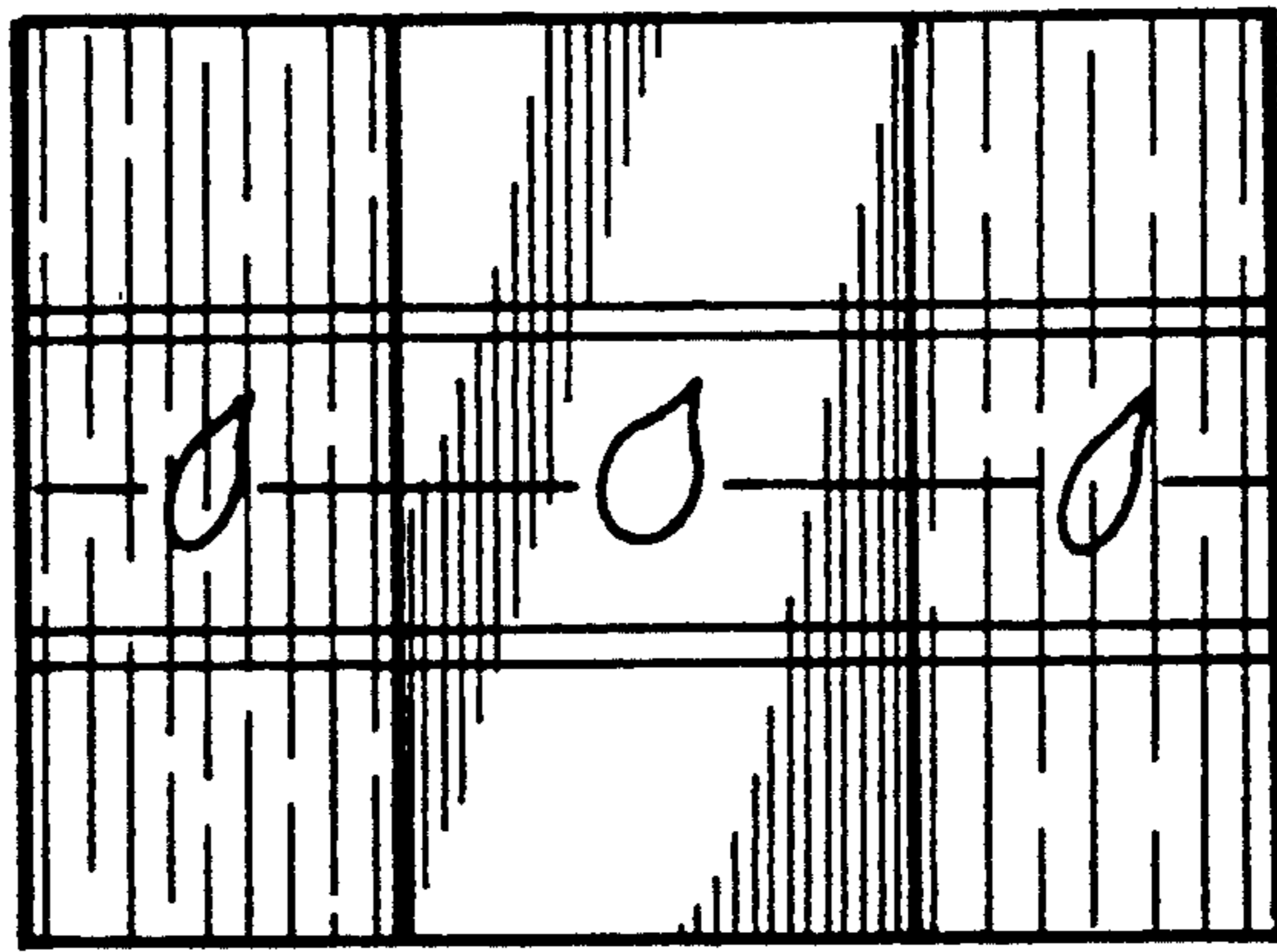


FIG. 3.

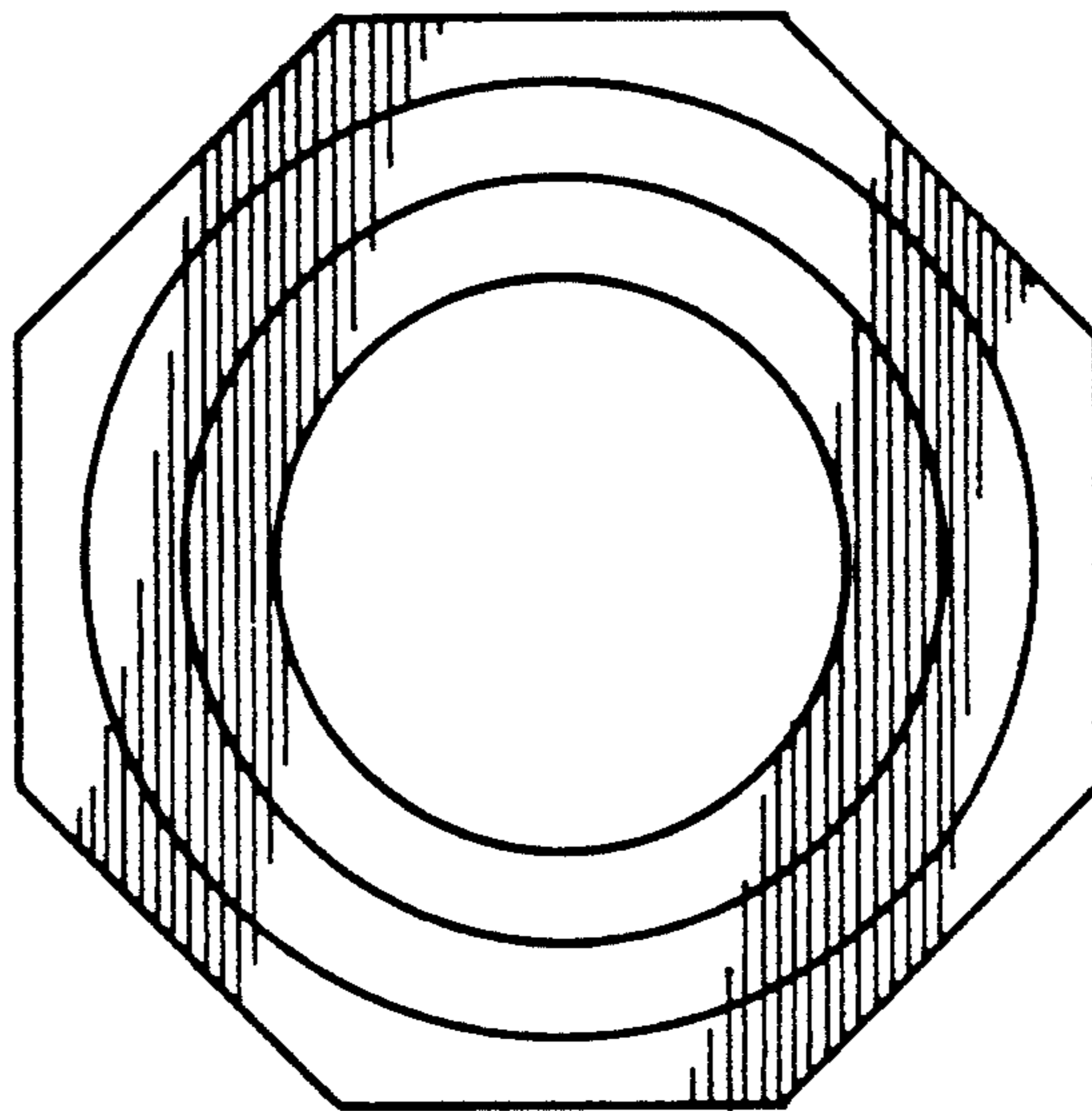


FIG. 4.

