



US00D347258S

United States Patent [19]
Fenske

[11] **Patent Number: Des. 347,258**

[45] **Date of Patent: ** May 24, 1994**

[54] **FRONT PANEL FOR A WATER PURIFIER**

[75] **Inventor: Lawrence J. Fenske, Madison, Wis.**

[73] **Assignee: Barnstead Thermolyne Corporation, Dubuque, Iowa**

[**] **Term: 14 Years**

[21] **Appl. No.: 951,153**

[22] **Filed: Sep. 24, 1992**

[52] **U.S. Cl. D23/209**

[58] **Field of Search 210/97, 198.1, 205-206, 210/231, 244-246, 257.1-257.2, 258, 260-261, 275, 282, 287-290, 295, 321.6, 321.78, 348, 416.3, 416.2, 443-449; D23/207-210**

[56] **References Cited**

U.S. PATENT DOCUMENTS

- D. 306,338 2/1990 Rempe et al. D23/207
- D. 316,741 5/1991 Kurth et al. D23/209
- D. 323,875 2/1992 Kang et al. D23/209
- D. 328,777 8/1992 Thalmann et al. D23/209

- D. 331,097 11/1992 Sieren D23/207
- D. 336,051 6/1993 Drager et al. D23/207 X
- D. 339,862 9/1993 Weber et al. D23/207
- 4,946,600 8/1990 Shin 210/257.1 X
- 5,068,030 11/1991 Chen 210/223 X

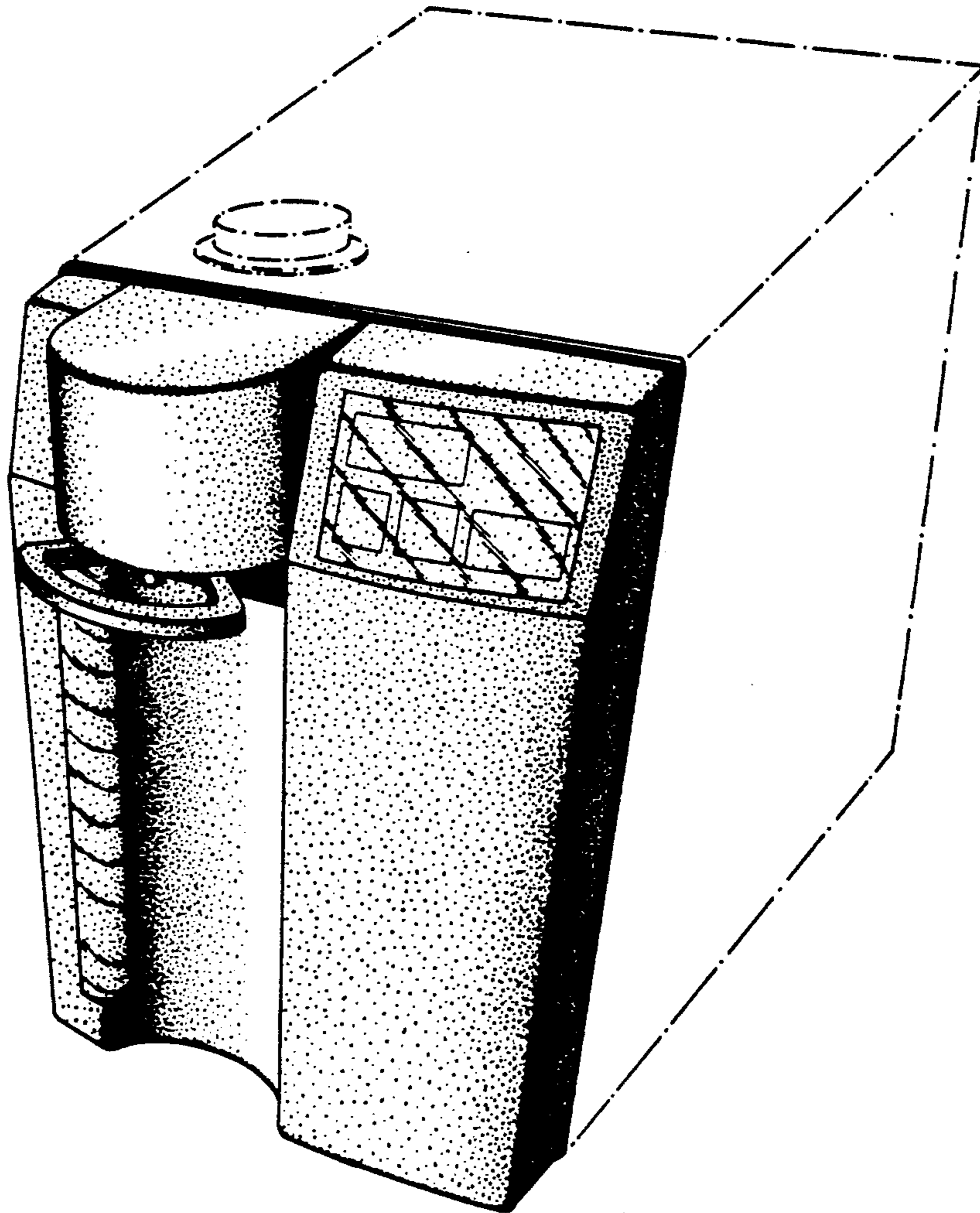
Primary Examiner—Wallace R. Burke
Assistant Examiner—M. H. Tung
Attorney, Agent, or Firm—Wood, Herron & Evans

[57] **CLAIM**

The ornamental design for a front panel for a water purifier, as shown and described.

DESCRIPTION

FIG. 1 is a front perspective view of a front panel for a water purifier, on an enlarged scale, the broken line drawing of the water purifier is for illustrative purposes only and forms no part of the claimed design; FIG. 2 is a front elevational view thereof; FIG. 3 is a left side elevational view thereof; FIG. 4 is a right side elevational view thereof; FIG. 5 is a top plan view thereof; and, FIG. 6 is a bottom plan view thereof.



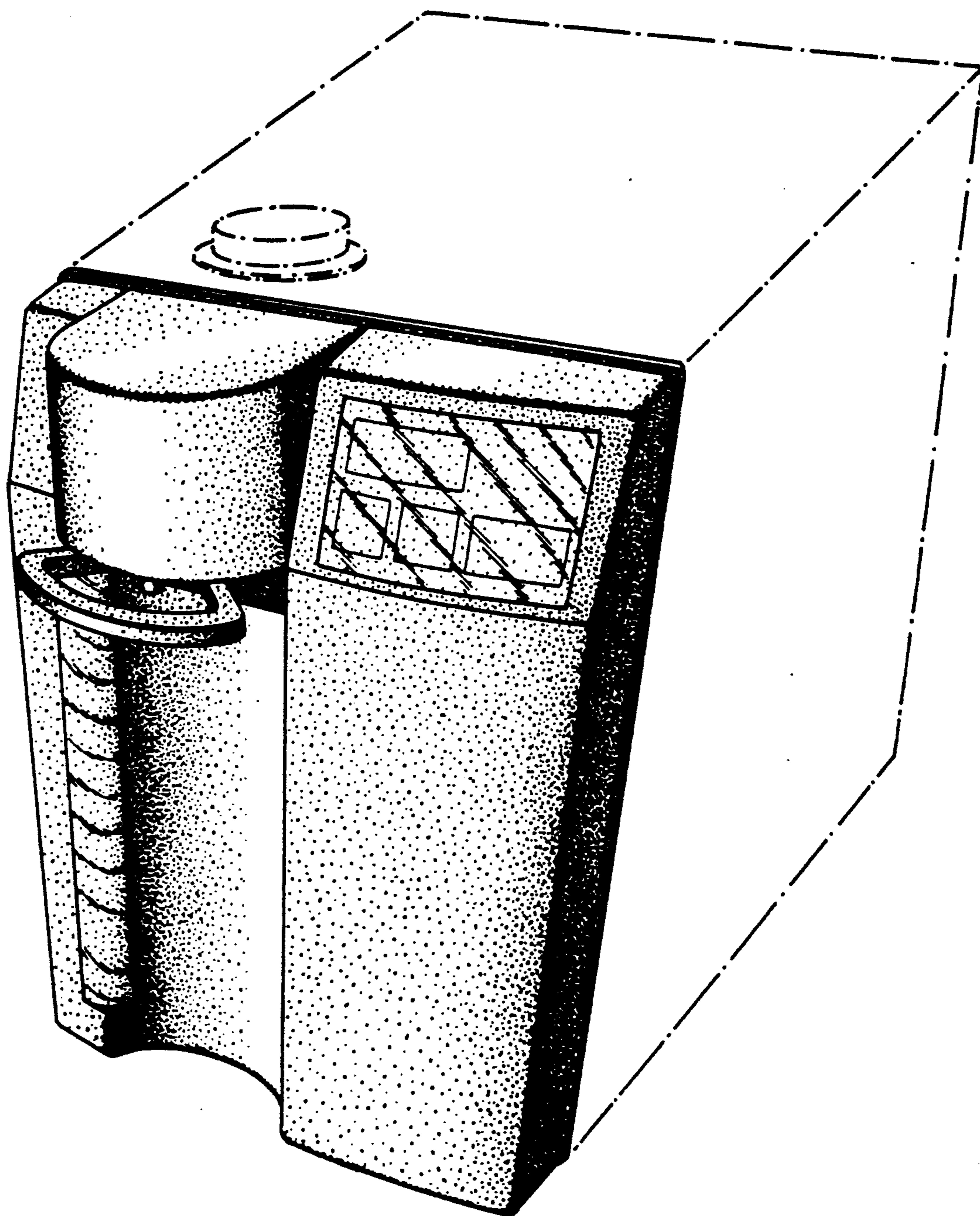


FIG. 1



FIG. 3

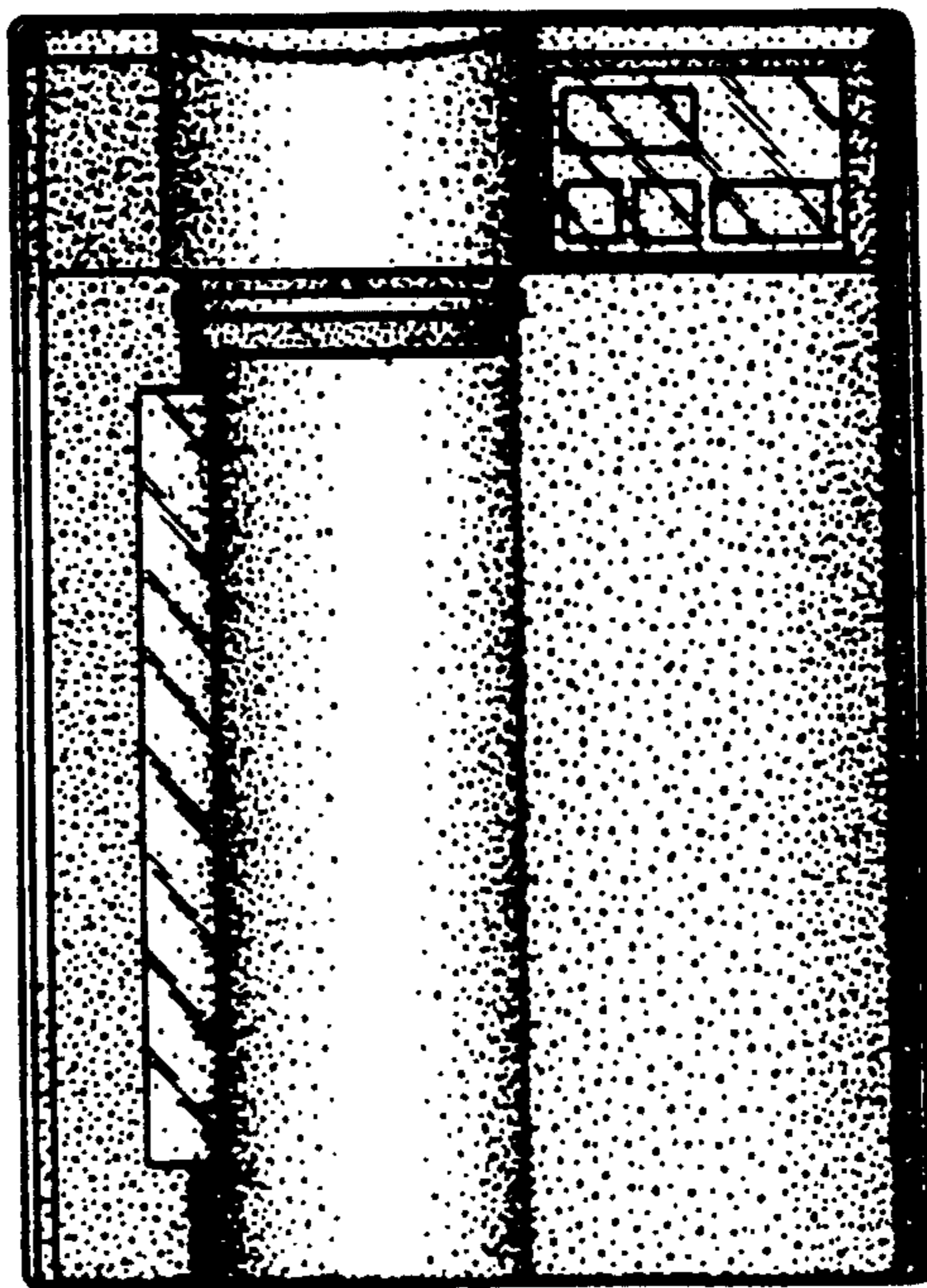


FIG. 2

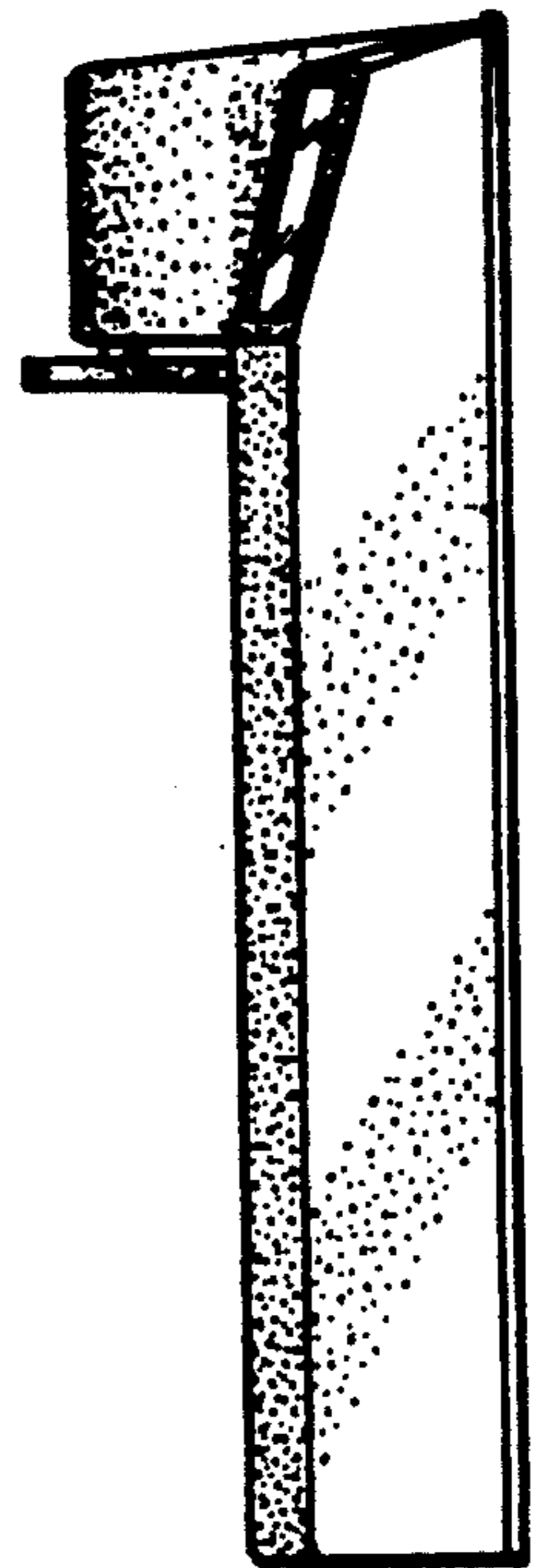


FIG. 4

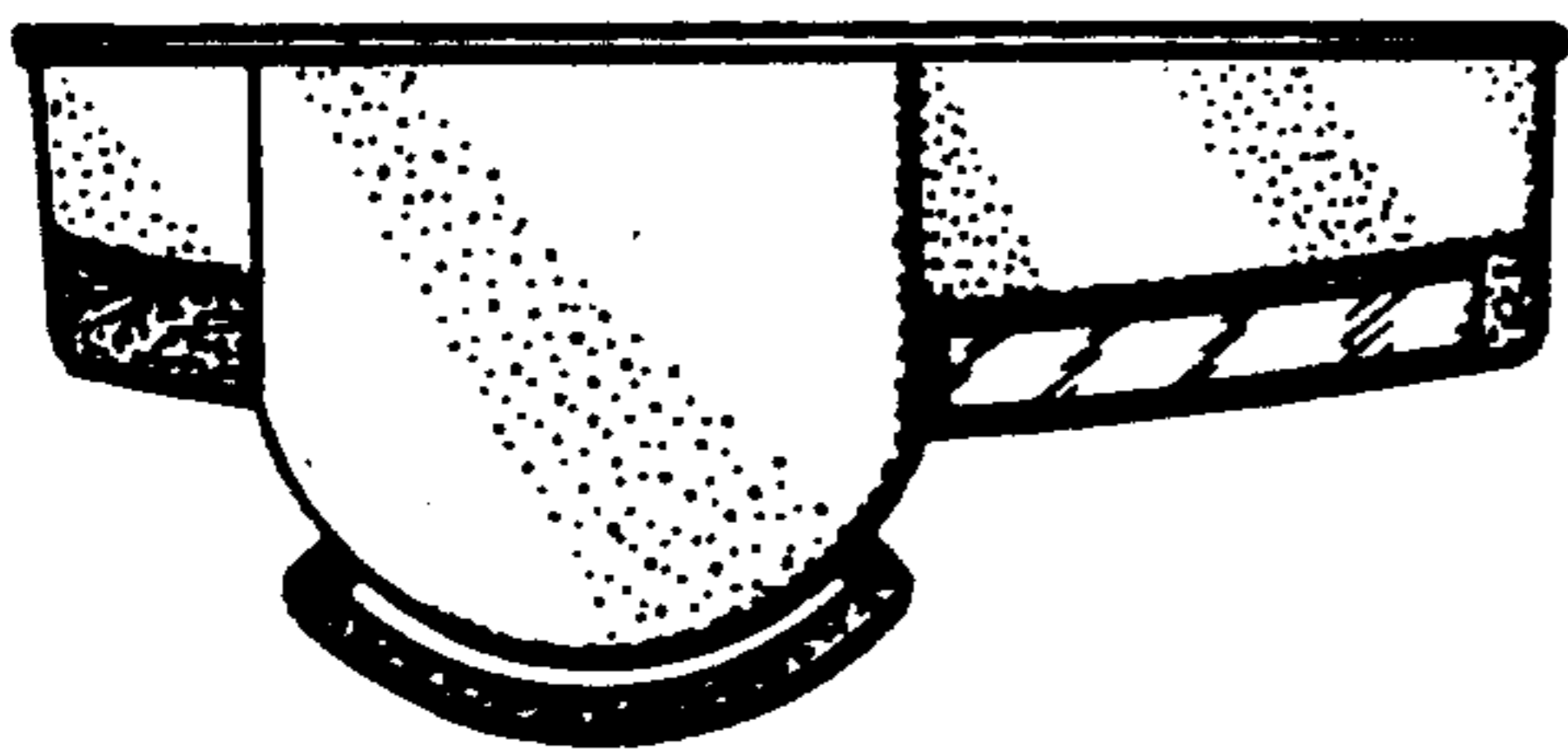


FIG. 5

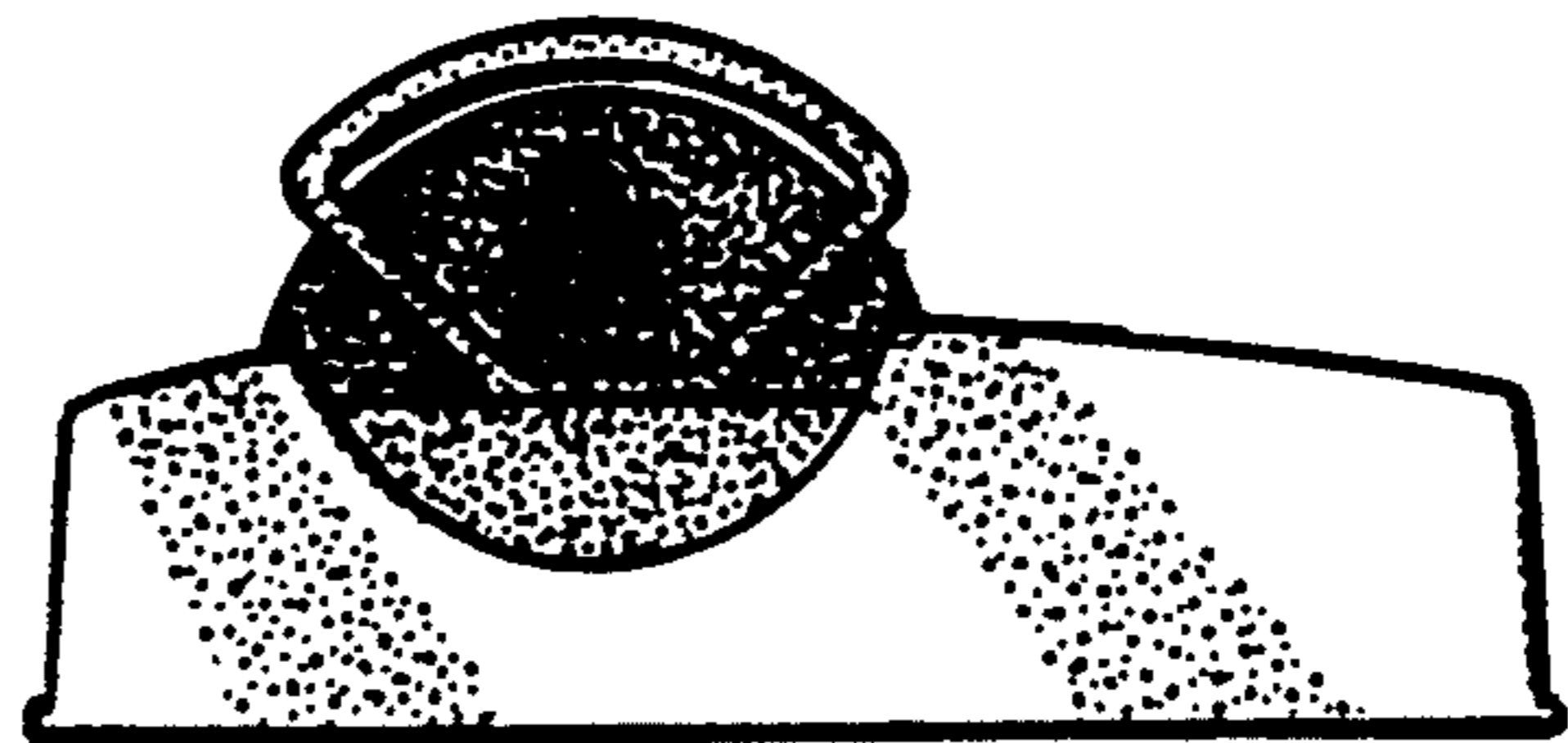


FIG. 6