



US00D347257S

United States Patent [19]

[11] Patent Number: **Des. 347,257**

McGrew, Jr.

[45] Date of Patent: **** May 24, 1994**

[54] SEPTIC TANK FOR HOLDING SEWERAGE

3,878,101	4/1975	Kennedy	210/536	X
4,050,580	9/1977	Wilson	220/1.5	X
4,208,291	6/1980	Ochoa	210/532.1	X
4,961,670	10/1990	McKenzie et al.	210/532.2	X
5,186,821	2/1993	Murphy	210/532.2	X

[76] Inventor: **Henry E. McGrew, Jr.**, 9591 Wallace Lake Rd., Shreveport, La. 71107

[**] Term: **14 Years**

Primary Examiner—Wallace R. Burke
Assistant Examiner—M. H. Tung
Attorney, Agent, or Firm—John M. Harrison

[21] Appl. No.: **718,110**

[22] Filed: **Jun. 20, 1991**

[52] U.S. Cl. **D23/202**

[57] CLAIM

[58] Field of Search 220/561, 565, 1.5, 2; 206/503, 505, 511, 515; 210/513, 532.1, 532.2-537, 538-540, 521; D23/200, 202-205

The ornamental design for a septic tank for holding sewerage, as shown and described.

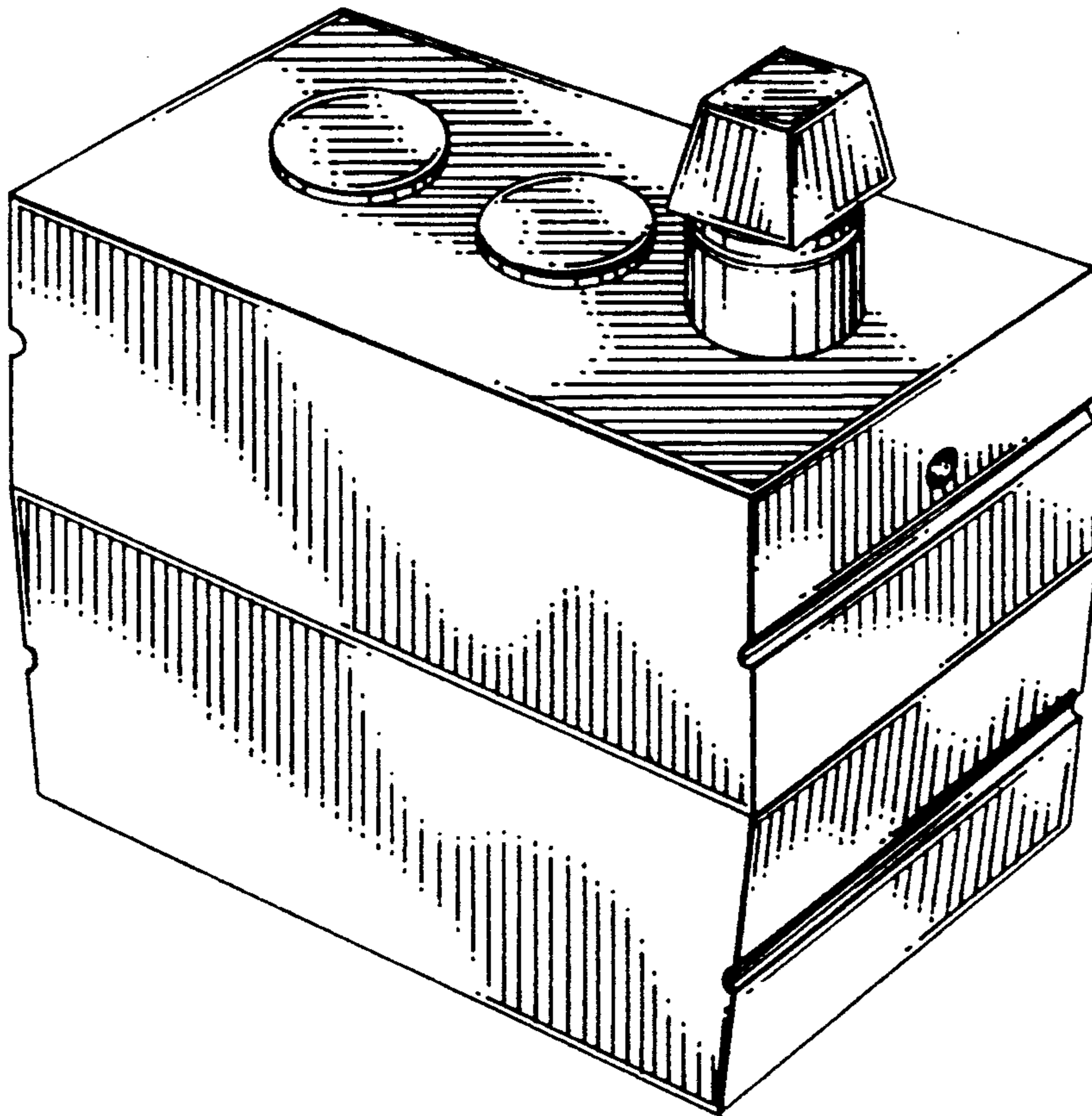
DESCRIPTION

[56] References Cited

U.S. PATENT DOCUMENTS

D. 190,773	6/1961	Koch	D23/202
D. 244,449	5/1977	Kerr et al.	D23/202
D. 259,953	7/1981	Weissman et al.	D23/202 X
D. 271,980	12/1983	Gemmill	D23/202 X
D. 293,262	12/1987	Sayward	D23/202
3,212,644	10/1965	Kemper	210/532.1
3,741,393	6/1973	Estes et al.	210/532.2 X

FIG. 1 is a perspective view of the septic tank for holding sewerage, showing my new design;
FIG. 2 is a right side elevation of the septic tank for holding sewerage;
FIG. 3 is a top elevation thereof;
FIG. 4 is a bottom elevation thereof;
FIG. 5 is a rear elevation thereof; and,
FIG. 6 is a front elevation of the septic tank for holding sewerage illustrated in FIGS. 1-5.



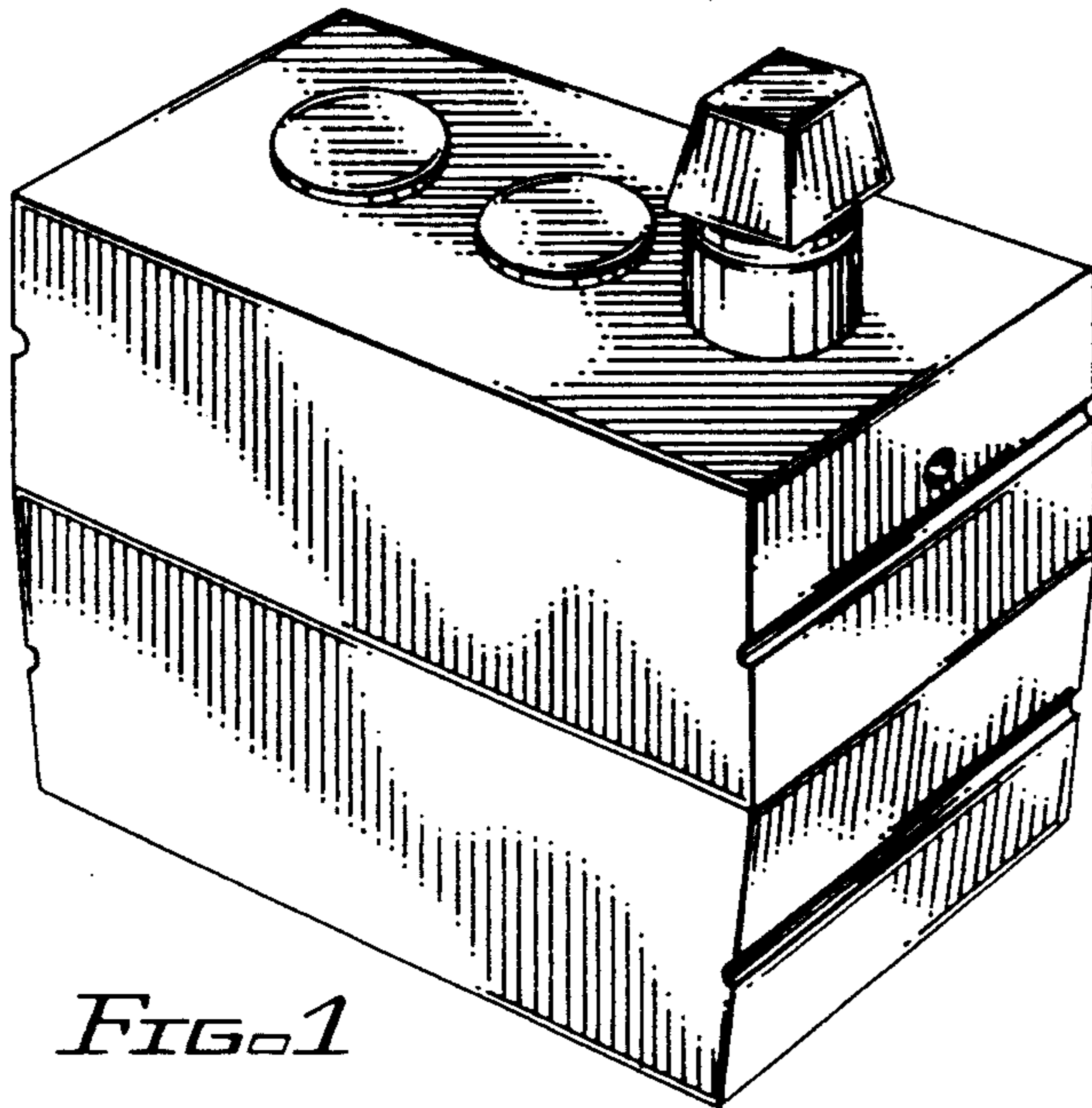


FIG. 1

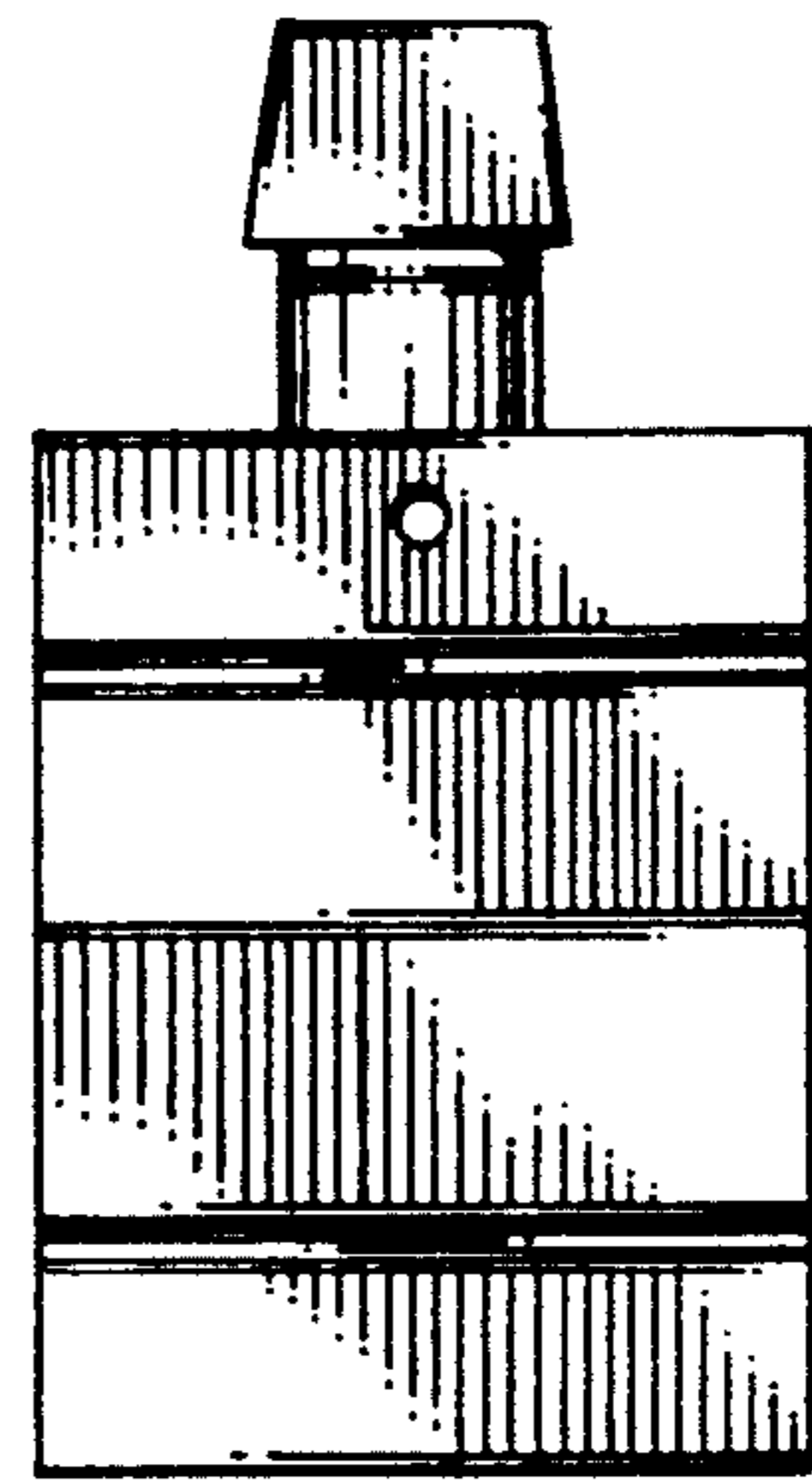


FIG. 6

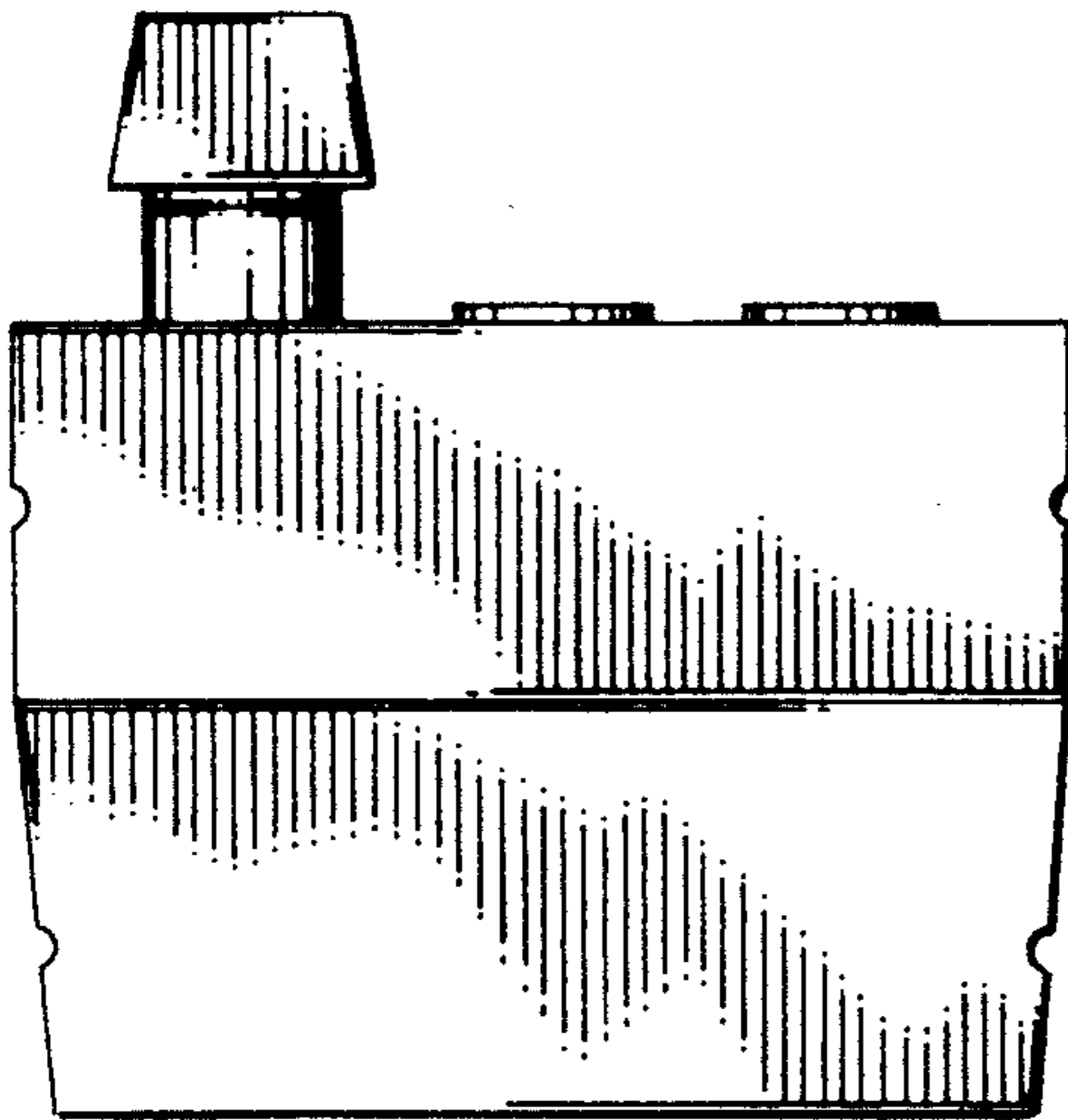


FIG. 2

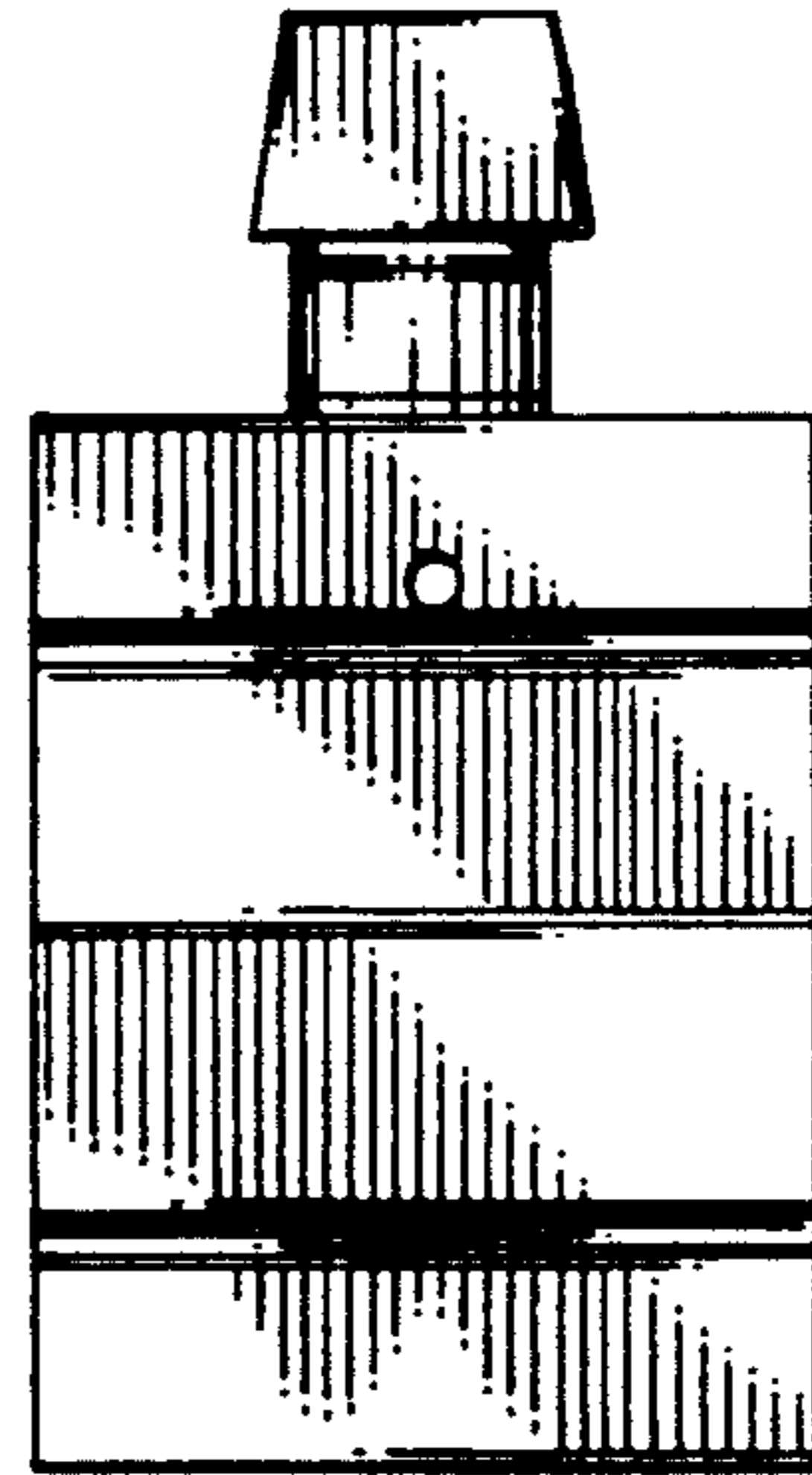


FIG. 5

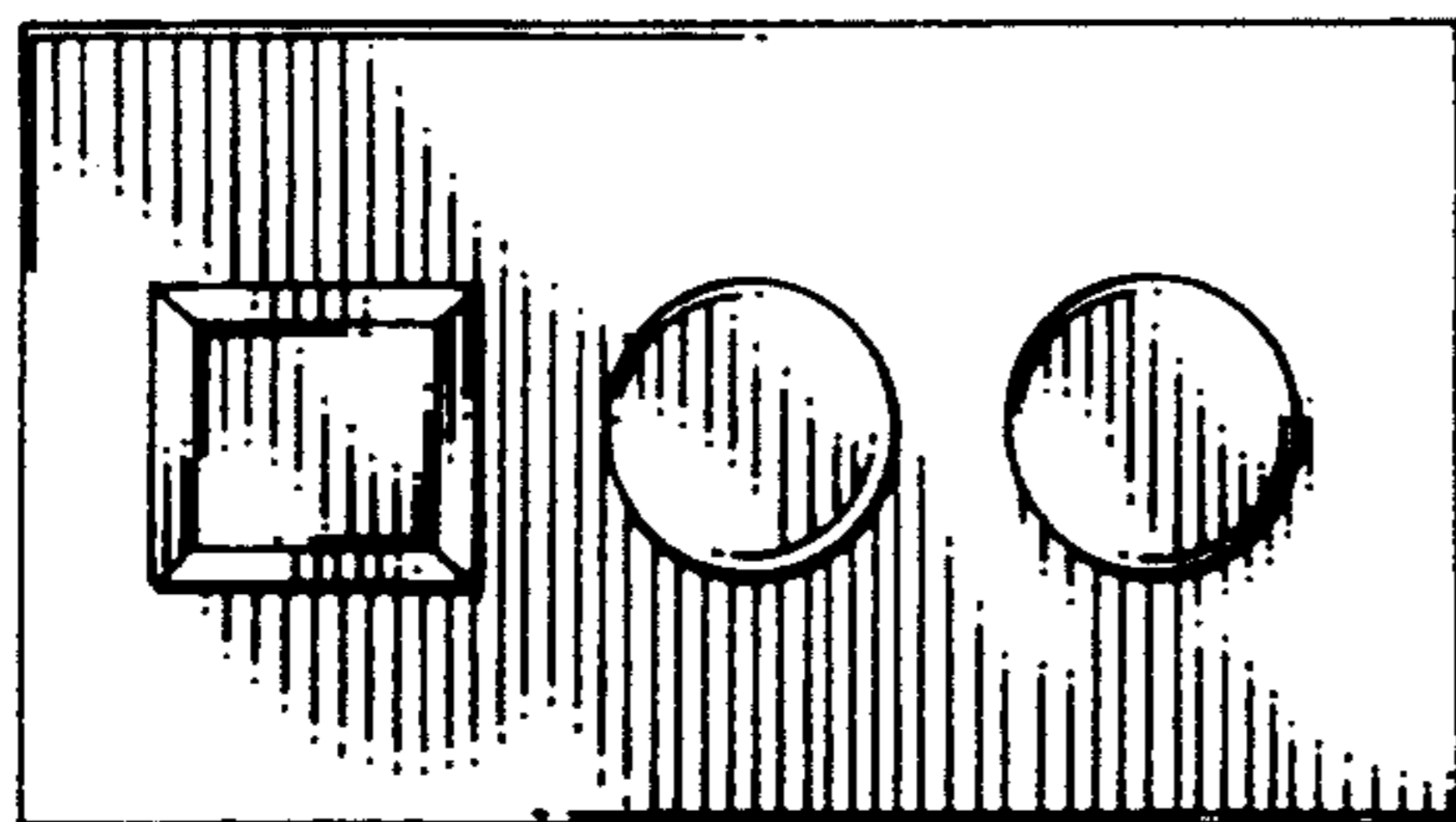


FIG. 3

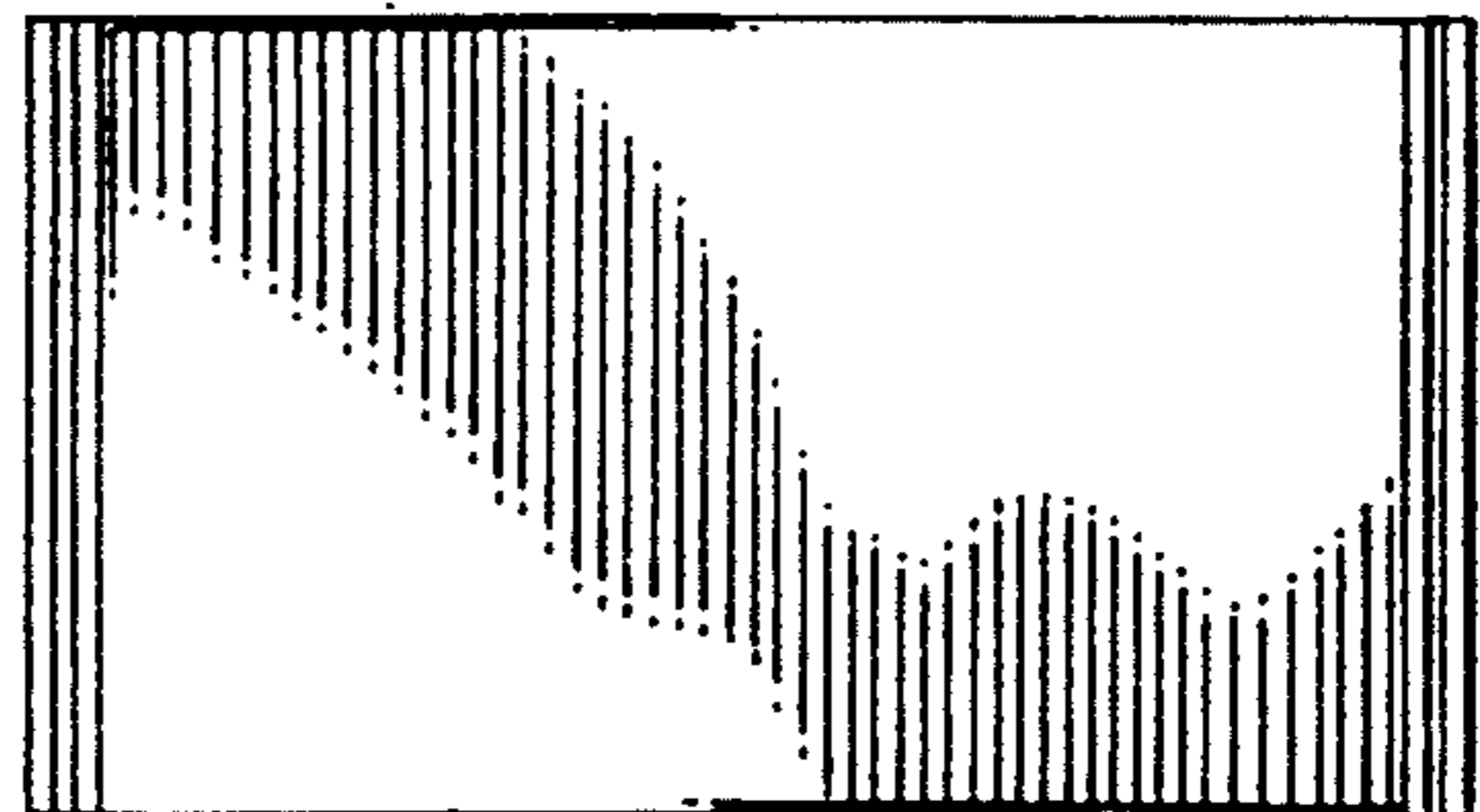


FIG. 4