



US00D347256S

# United States Patent [19]

[11] Patent Number: **Des. 347,256**

Strayer et al.

[45] Date of Patent: **\*\* May 24, 1994**

[54] **COMBINED GRIP AND TRIGGER GUARD FOR A HANDGUN**

D. 273,316	4/1984	Lambert	.....	D22/104
D. 302,289	7/1989	Lambert	.....	D22/108
D. 335,520	5/1993	Capone	.....	D22/108
1,027,556	5/1912	Marshall	.....	42/71.02
1,352,267	9/1920	Hubbell	.....	42/70.02
4,742,634	5/1988	Swenson	.....	42/71.02

[76] Inventors: **Sandy L. Strayer**, 305 Hickok, Round Rock, Tex. 78681; **Virgil P. Tripp**, 8907 Sparkling Creek Cir., Austin, Tex. 78729

*Primary Examiner*—A. Hugo Word  
*Assistant Examiner*—R. Seifert  
*Attorney, Agent, or Firm*—James L. Jackson

[\*\*] Term: **14 Years**

[21] Appl. No.: **943,610**

[57] **CLAIM**

[22] Filed: **Sep. 9, 1992**

The ornamental design for a combined grip and trigger guard for a handgun, as shown and described.

**Related U.S. Application Data**

**DESCRIPTION**

[63] Continuation-in-part of Ser. No. 844,392, Mar. 2, 1992.

[52] U.S. Cl. .... **D22/108**

[58] Field of Search ..... 42/59, 78-79, 42/75.02, 75.03; D22/108, 104

FIG. 1 is a front view of a grip for a combined grip and trigger guard for a handgun showing our new design; FIG. 2 is a side elevational view thereof; FIG. 3 is an opposite side elevational view thereof; FIG. 4 is a rear elevational view thereof; FIG. 5 is a bottom plan view thereof; FIG. 6 is a top plan view thereof; and, FIG. 7 is an isometric view thereof.

[56] **References Cited**

**U.S. PATENT DOCUMENTS**

D. 269,895 7/1983 Bianchi ..... D22/104

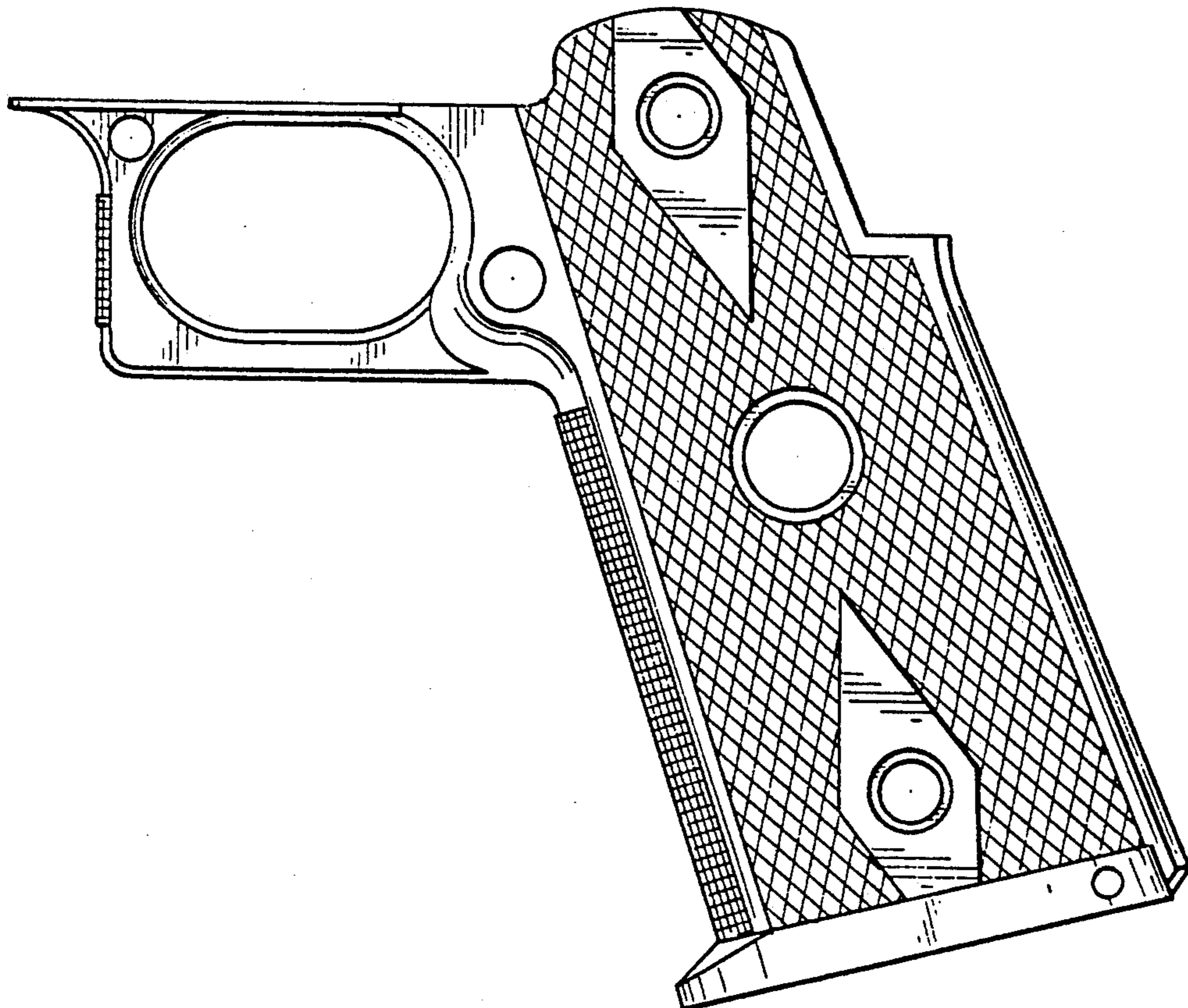


FIG. 1

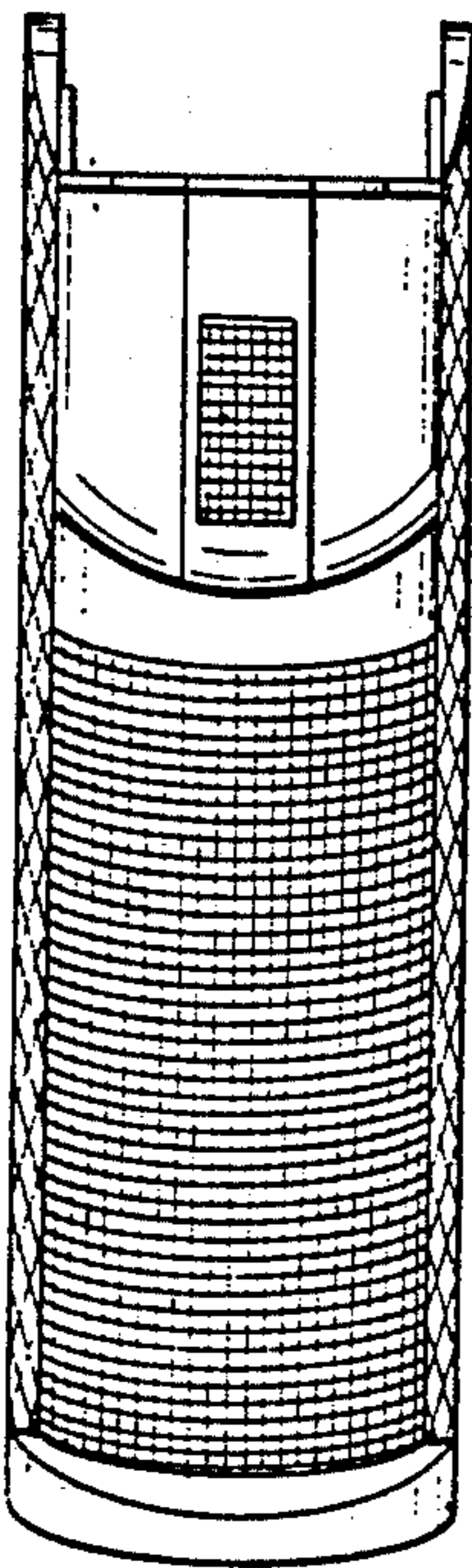


FIG. 2

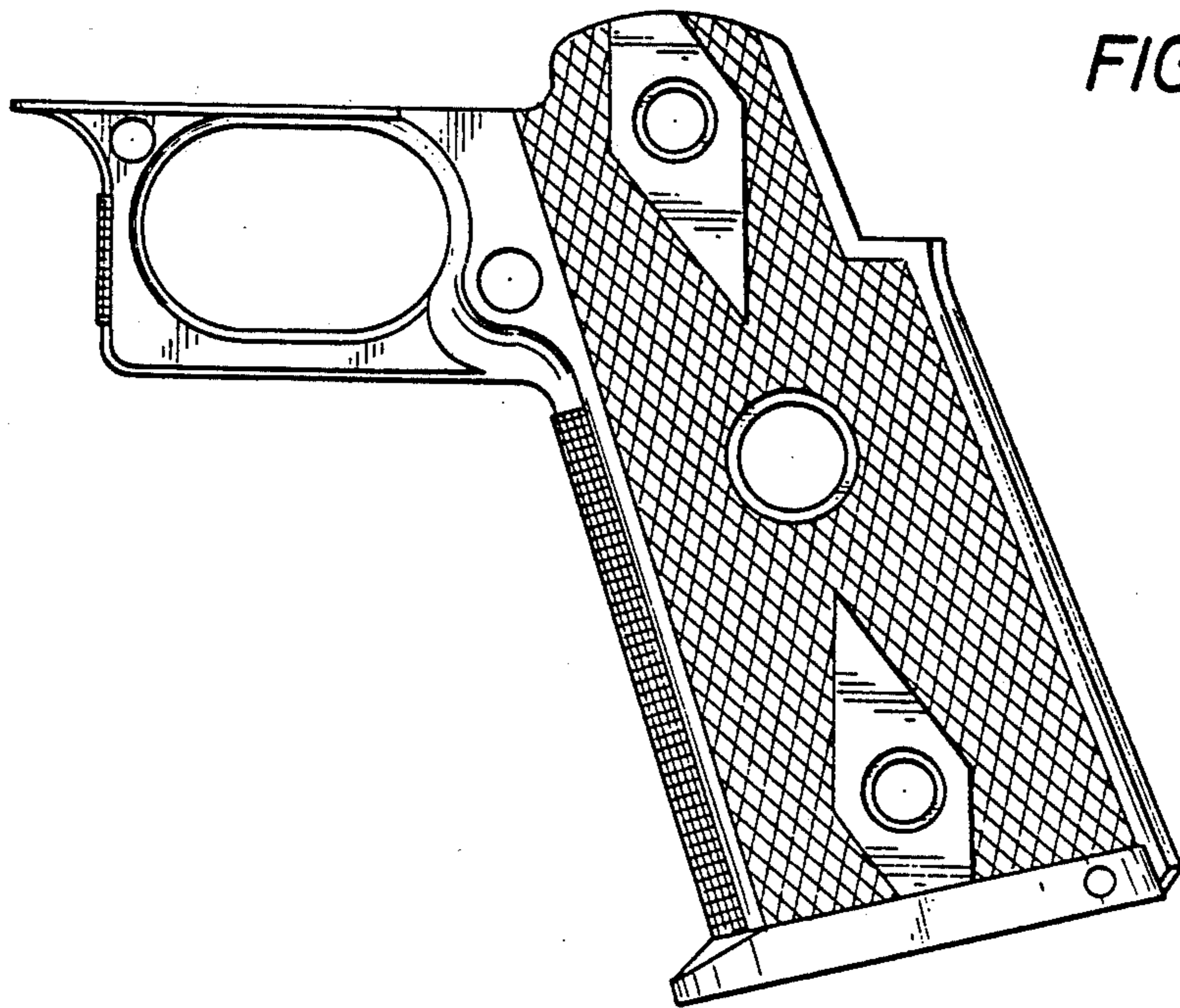


FIG. 4

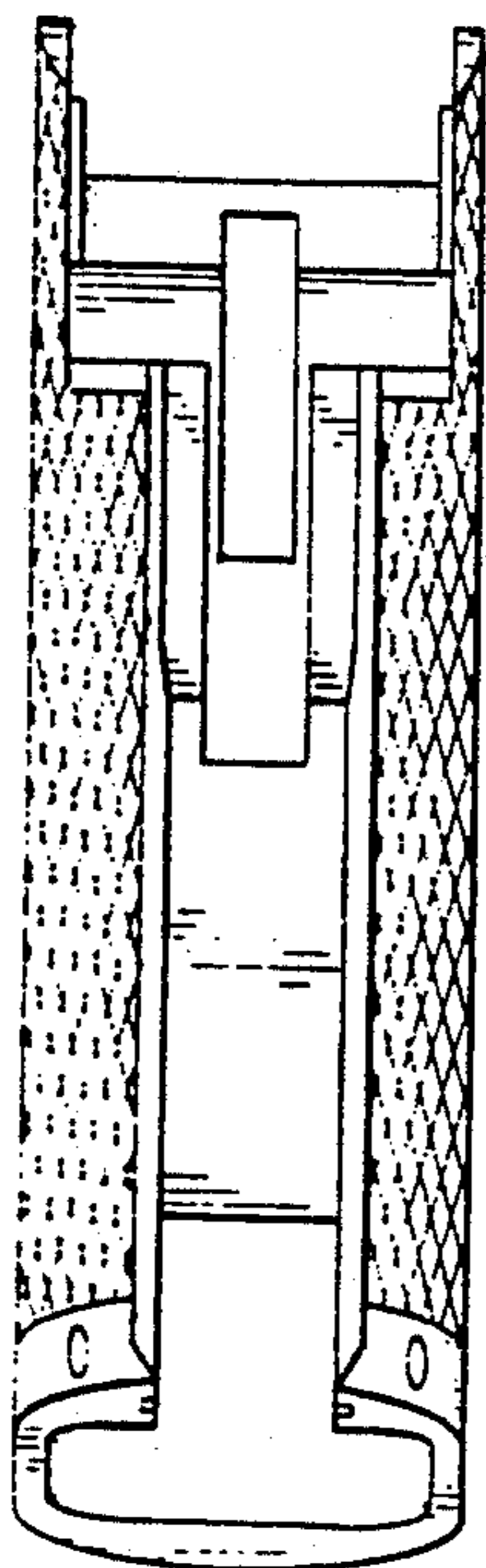


FIG. 3

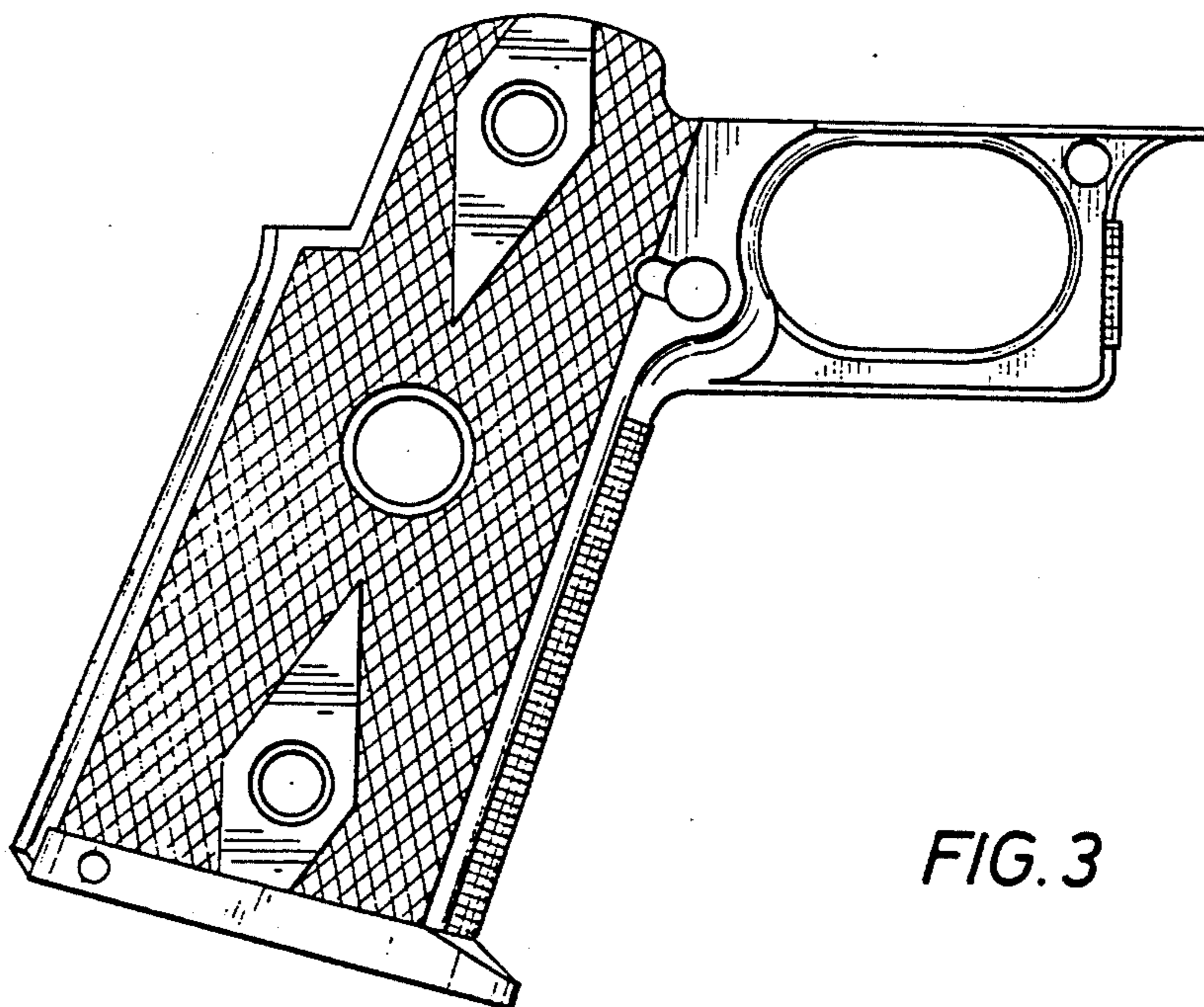




FIG. 5

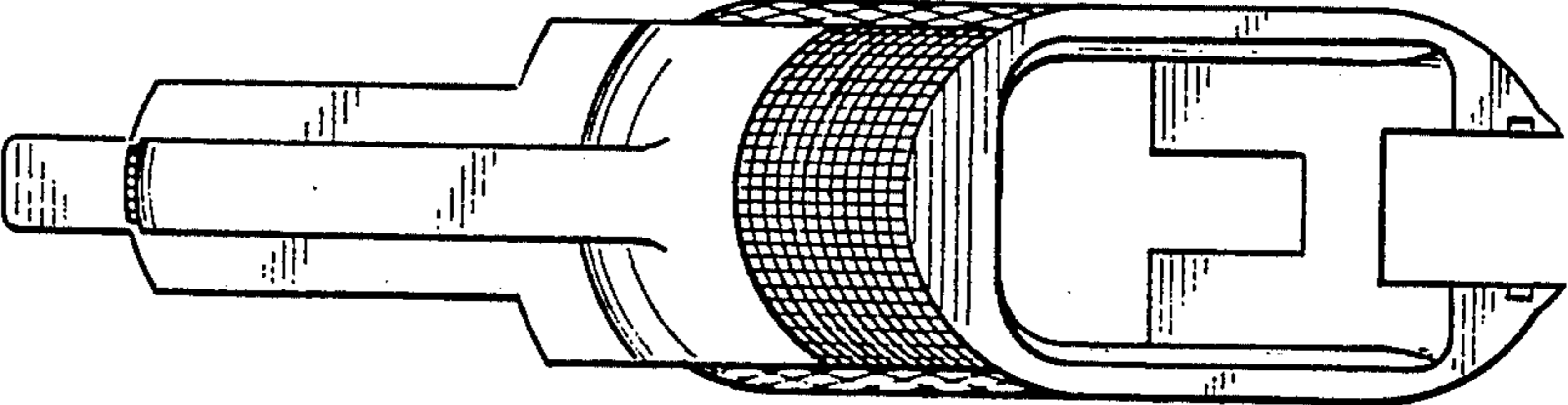


FIG. 6

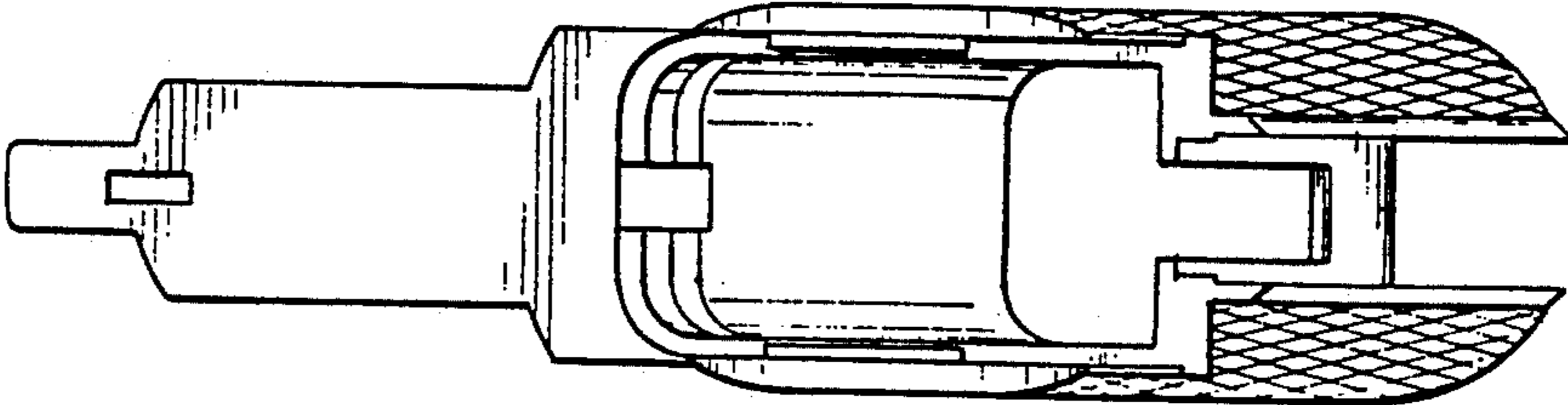


FIG. 7

