



US00D347254S

# United States Patent [19]

[11] Patent Number: **Des. 347,254**

**Iinuma**

[45] Date of Patent: **\*\* May 24, 1994**

[54] **GOLF CLUB HEAD**

[75] Inventor: **Kanji Iinuma, Musashino, Japan**

[73] Assignee: **Daiwa Golf Co., Ltd., Higashikurume, Japan**

[\*\*] Term: **14 Years**

[21] Appl. No.: **814,010**

[22] Filed: **Dec. 26, 1991**

[30] **Foreign Application Priority Data**

Jun. 27, 1991 [JP]	Japan .....	3-19183
[52] U.S. Cl. ....		<b>D21/220</b>
[58] Field of Search .....	273/167-175;	<b>D21/220</b>

[56] **References Cited**

**U.S. PATENT DOCUMENTS**

D. 240,841	8/1976	Solheim .....	D34/5 GC
D. 241,359	9/1976	Taylor .....	D34/5 GC
D. 256,264	8/1980	Solheim .....	D21/220
D. 294,850	3/1988	Simmons .....	D21/220

**FOREIGN PATENT DOCUMENTS**

513821	10/1979	Japan .
535109	7/1980	Japan .

**OTHER PUBLICATIONS**

Golf Magazine, Aug., 1986, p. 57, top, Altron iron.  
Austad's 1985 Golf Cat., p. 2, lower left, Ambassador iron.

Golf digest, Mar., 1991, p. 147, extreme left, Palm Spring iron.

"Golf Equipment Universal '86" catalog, published Mar. 1, 1986 by Kabushiki Kaisha Ariga Golf.

*Primary Examiner*—Melvin B. Feifer

*Attorney, Agent, or Firm*—Cushman, Darby & Cushman

[57] **CLAIM**

The ornamental design for a golf club head, as shown and described.

**DESCRIPTION**

FIG. 1 is a top, front and one side perspective view of a golf club head showing my new design;  
 FIG. 2 is a top, front and the opposite side perspective view thereof;  
 FIG. 3 is a front elevational view thereof;  
 FIG. 4 is a rear elevational view thereof;  
 FIG. 5 is a side elevational view of the opposite side thereof;  
 FIG. 6 is a side elevational view of one side thereof;  
 FIG. 7 is a top plan view thereof;  
 FIG. 8 is a bottom view thereof;  
 FIG. 9 is a front elevational view of the other embodiment showing my new design;  
 FIG. 10 is a rear elevational view thereof;  
 FIG. 11 is a side elevational view of the opposite side thereof;  
 FIG. 12 is a side elevational view of one side thereof;  
 FIG. 13 is a top plan view thereof; and,  
 FIG. 14 is a bottom view thereof.

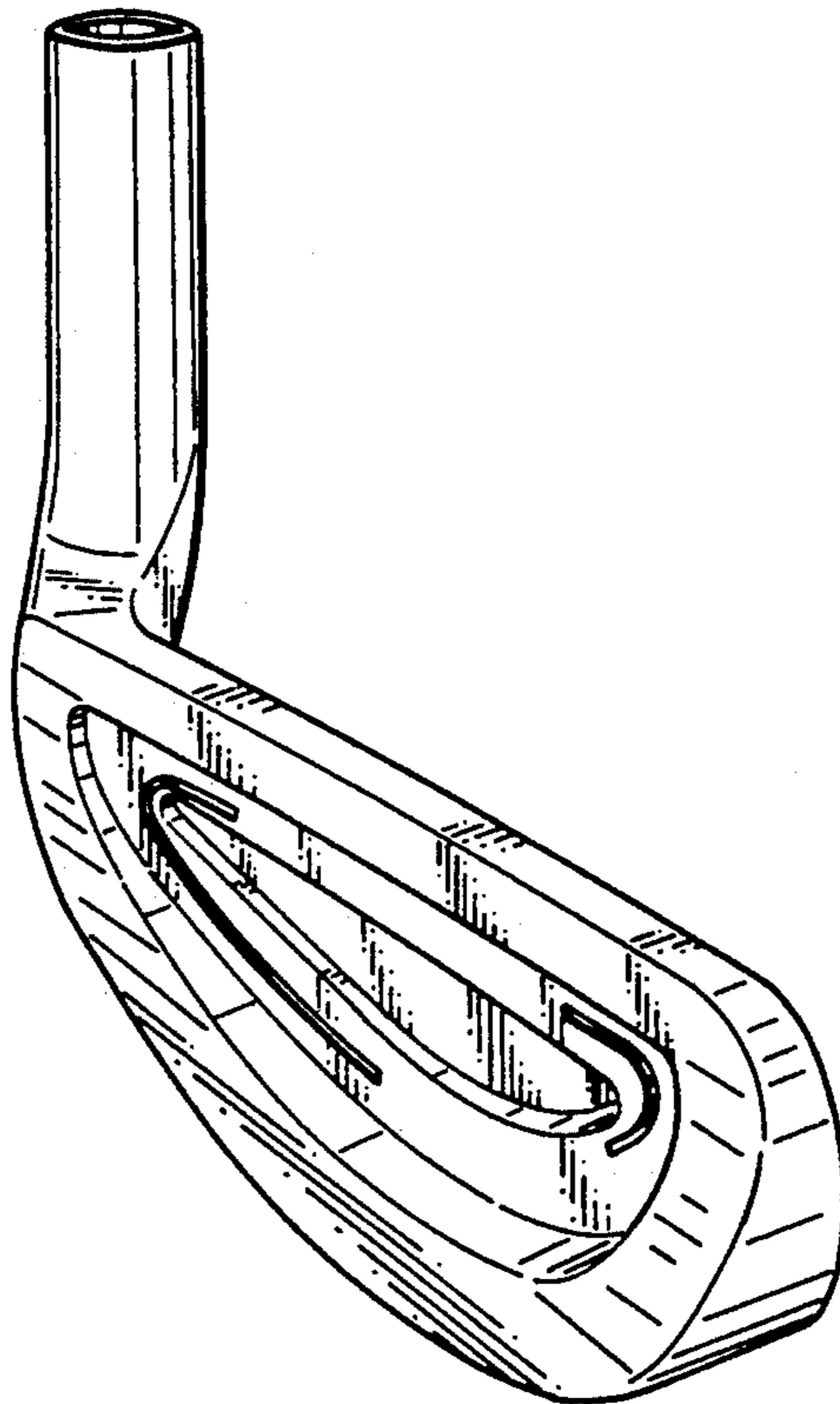


Fig. 1

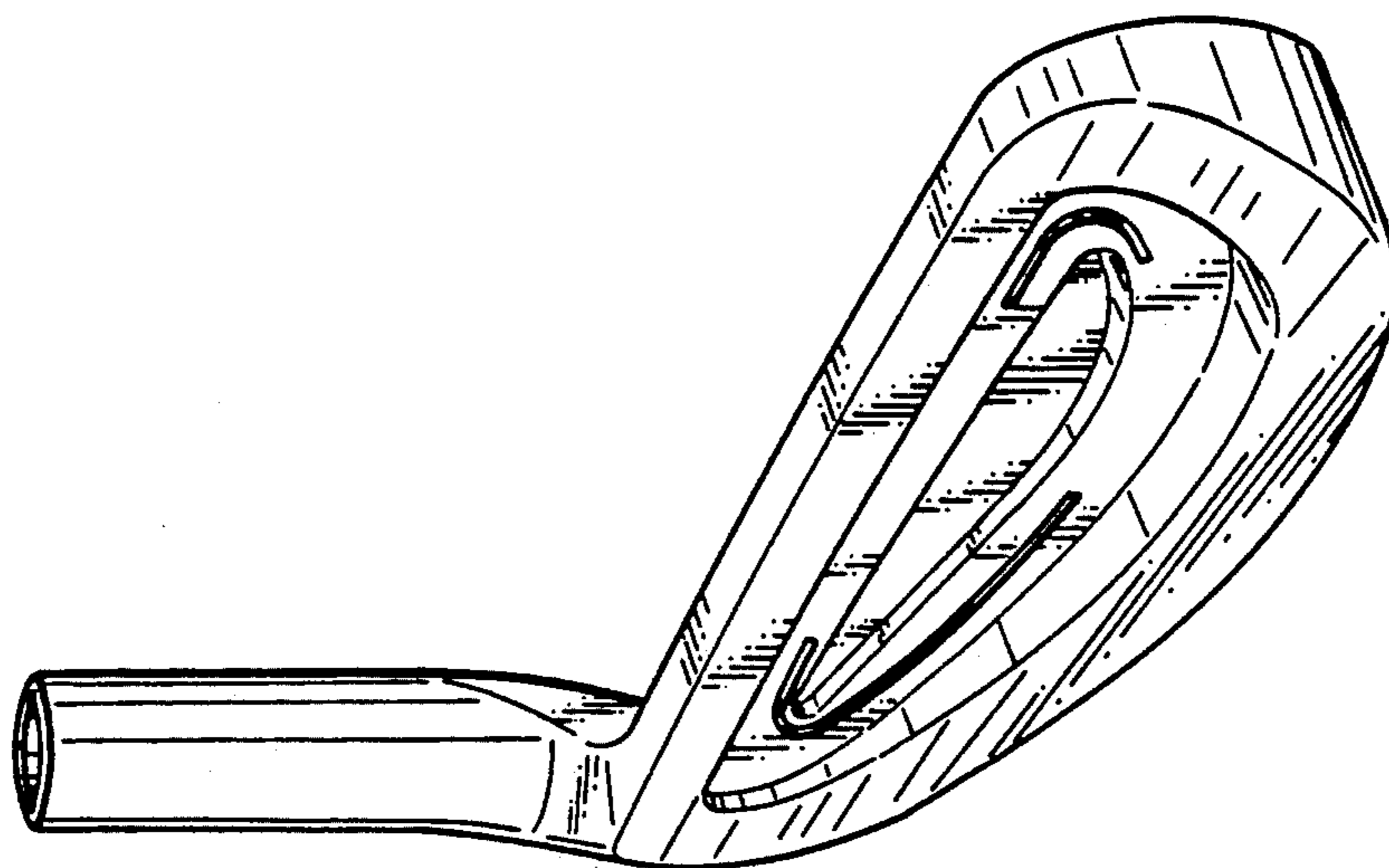
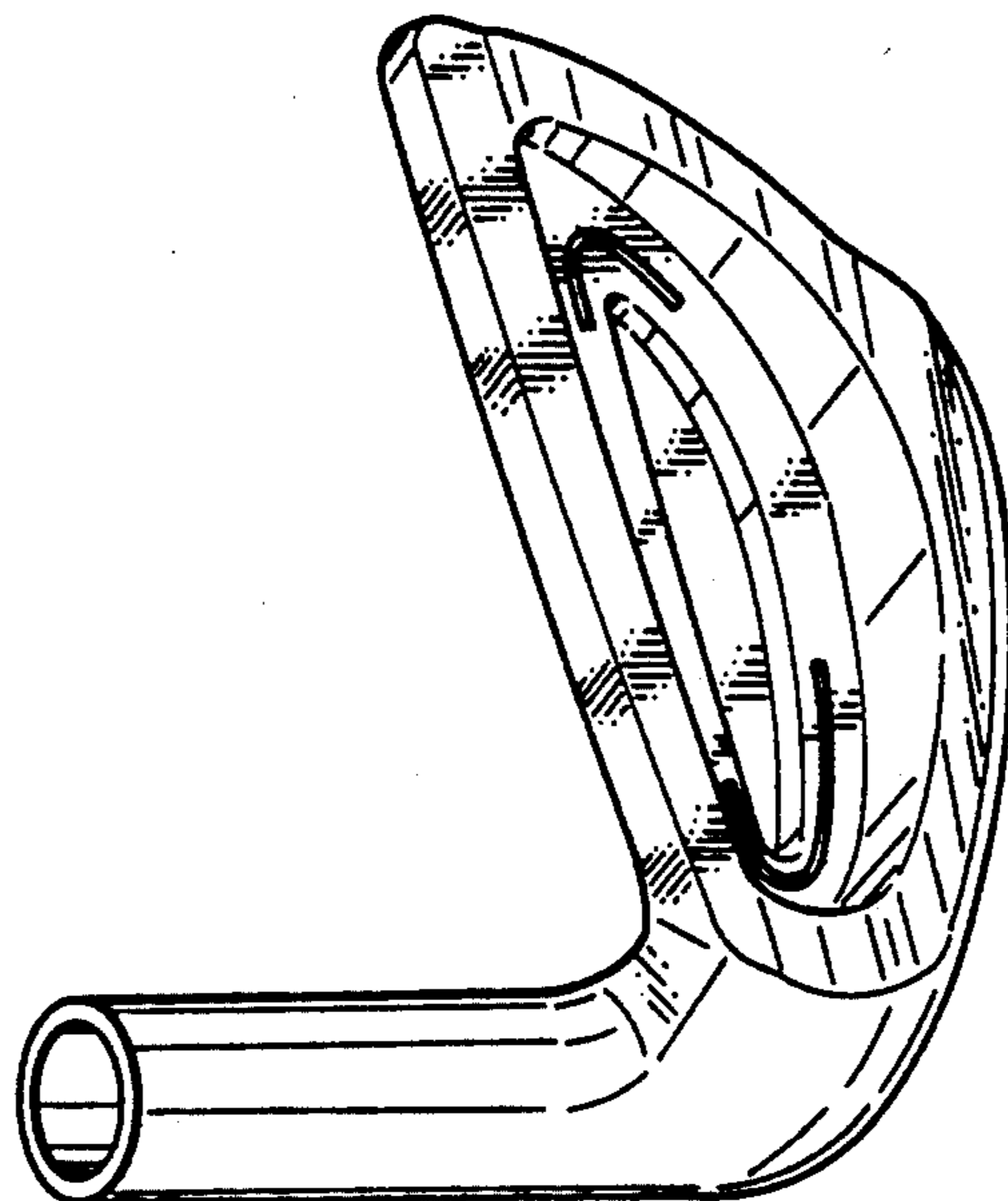
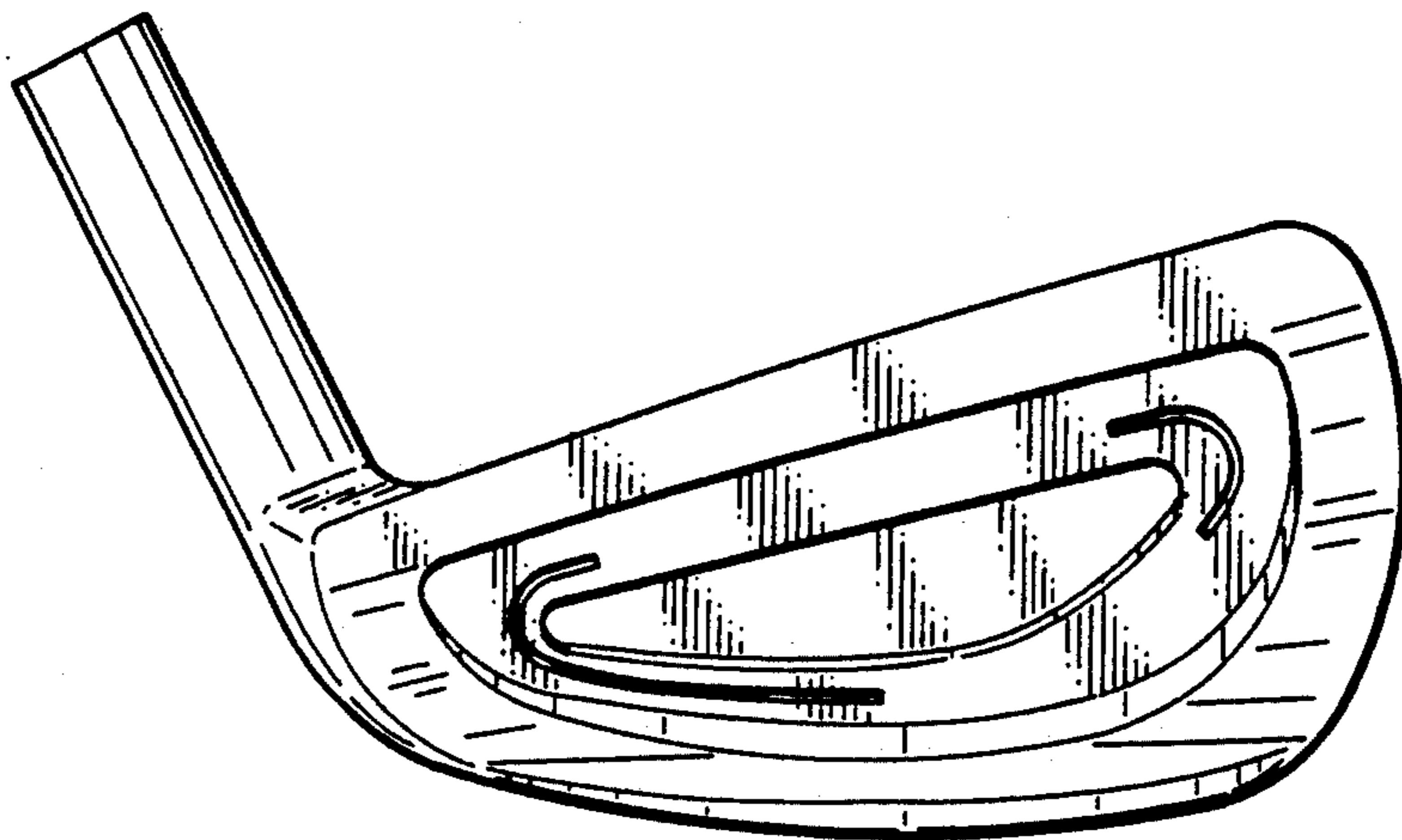


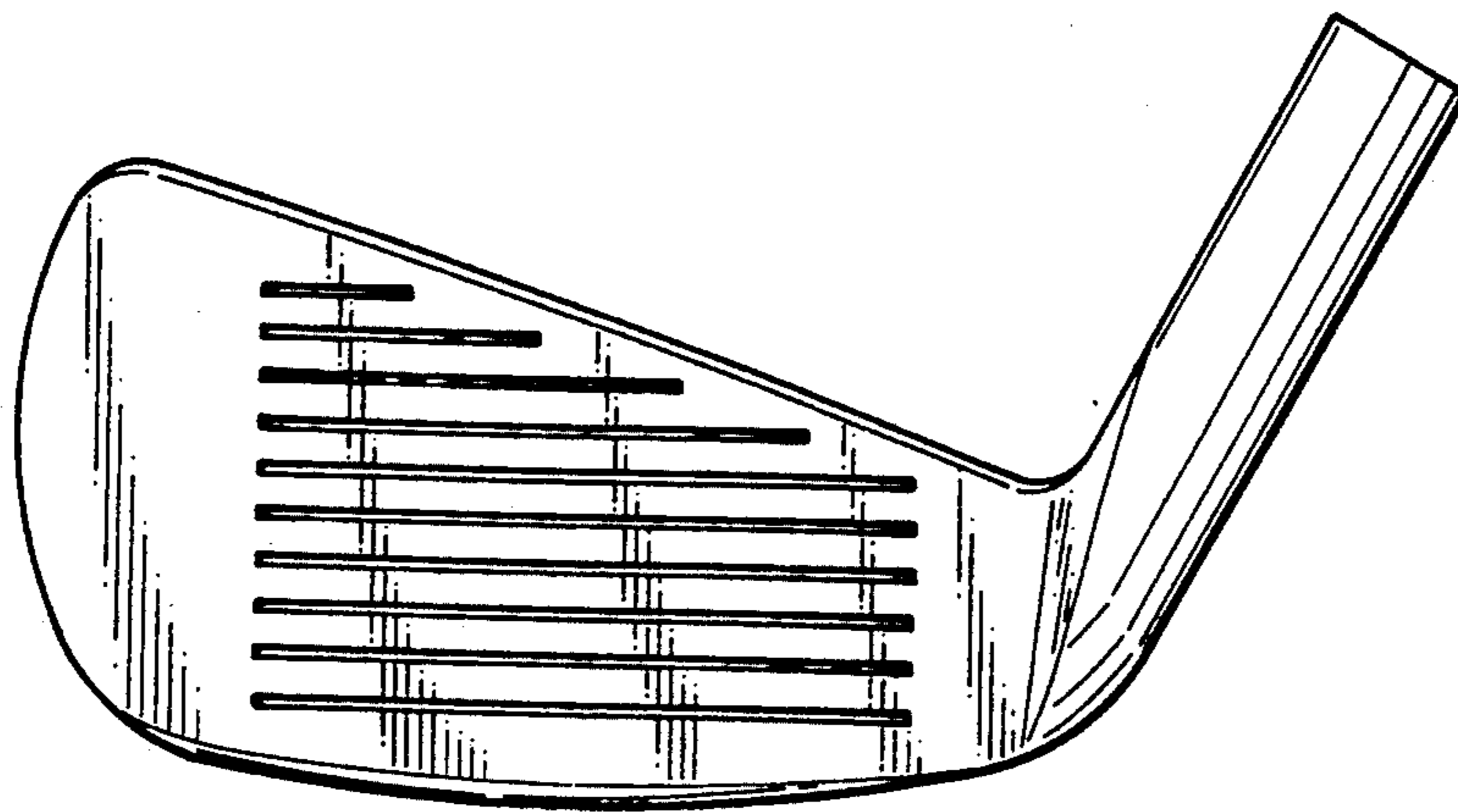
Fig. 2



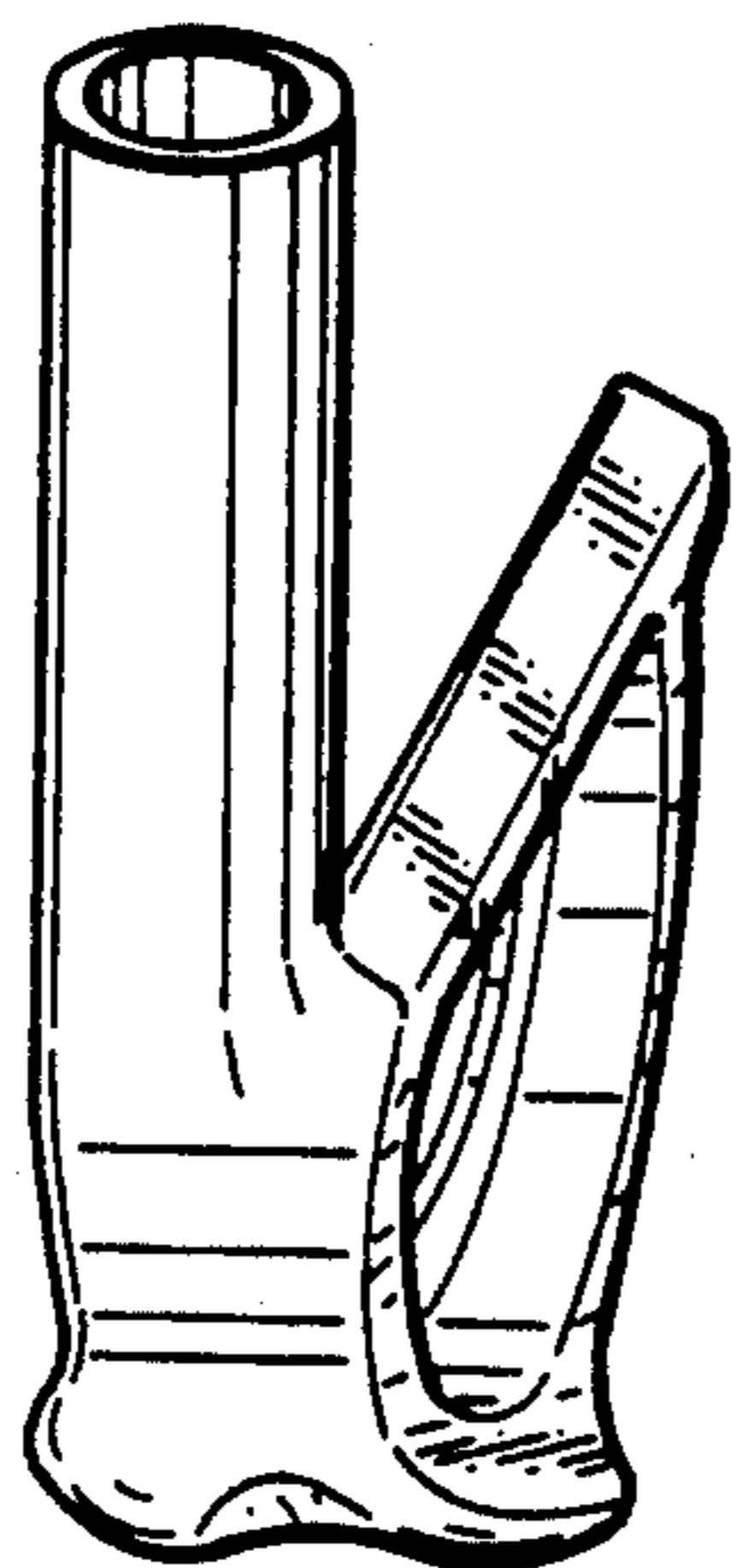
*Fig. 3*



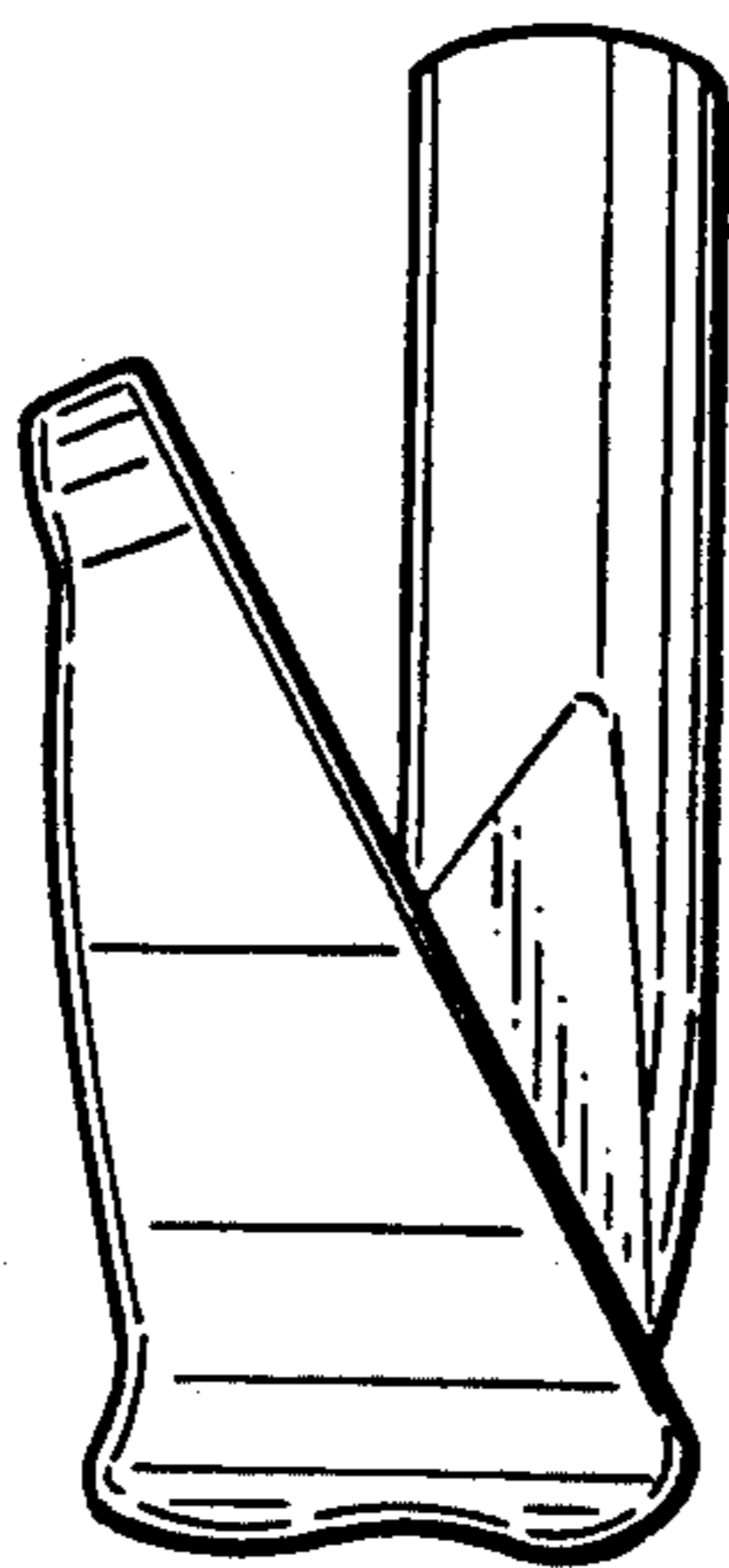
*Fig. 4*



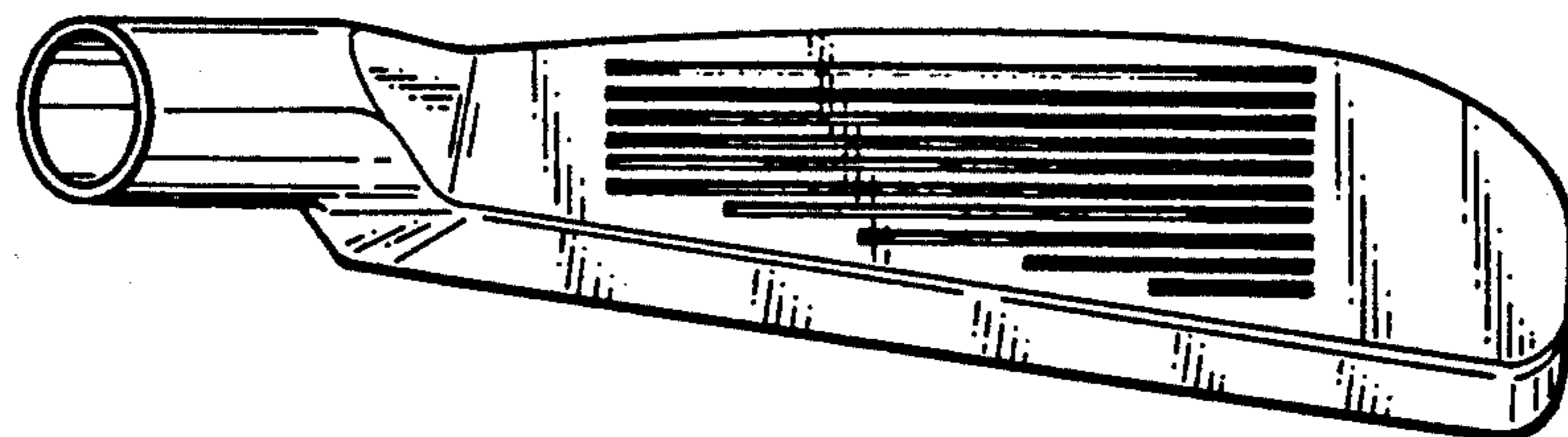
*Fig. 5*



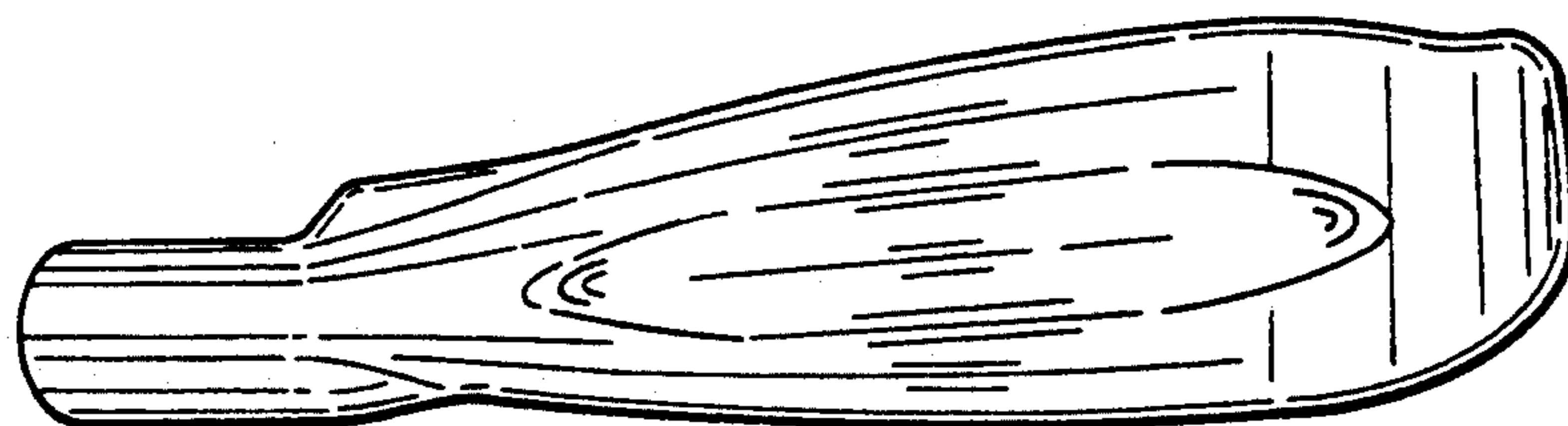
*Fig. 6*



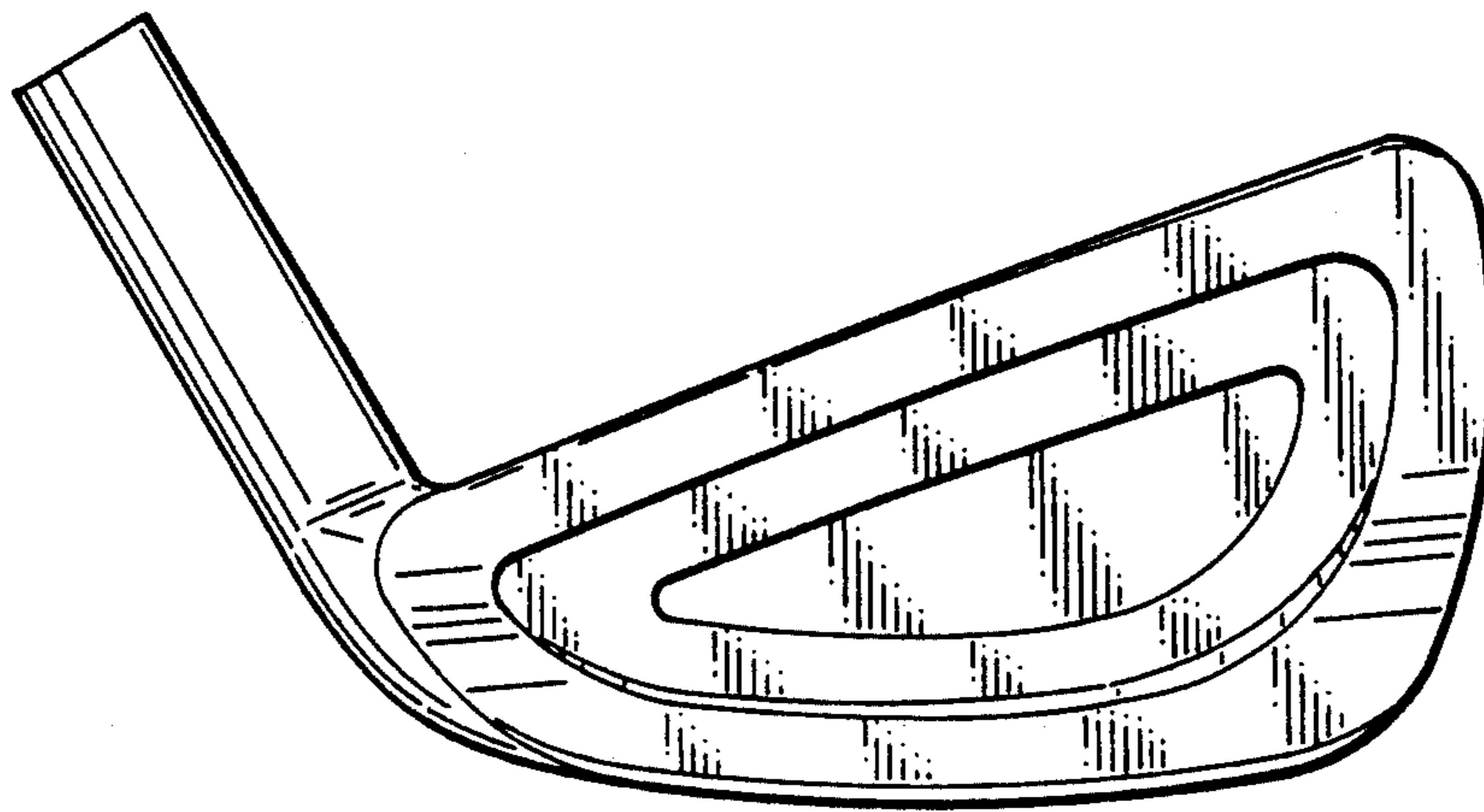
*Fig. 7*



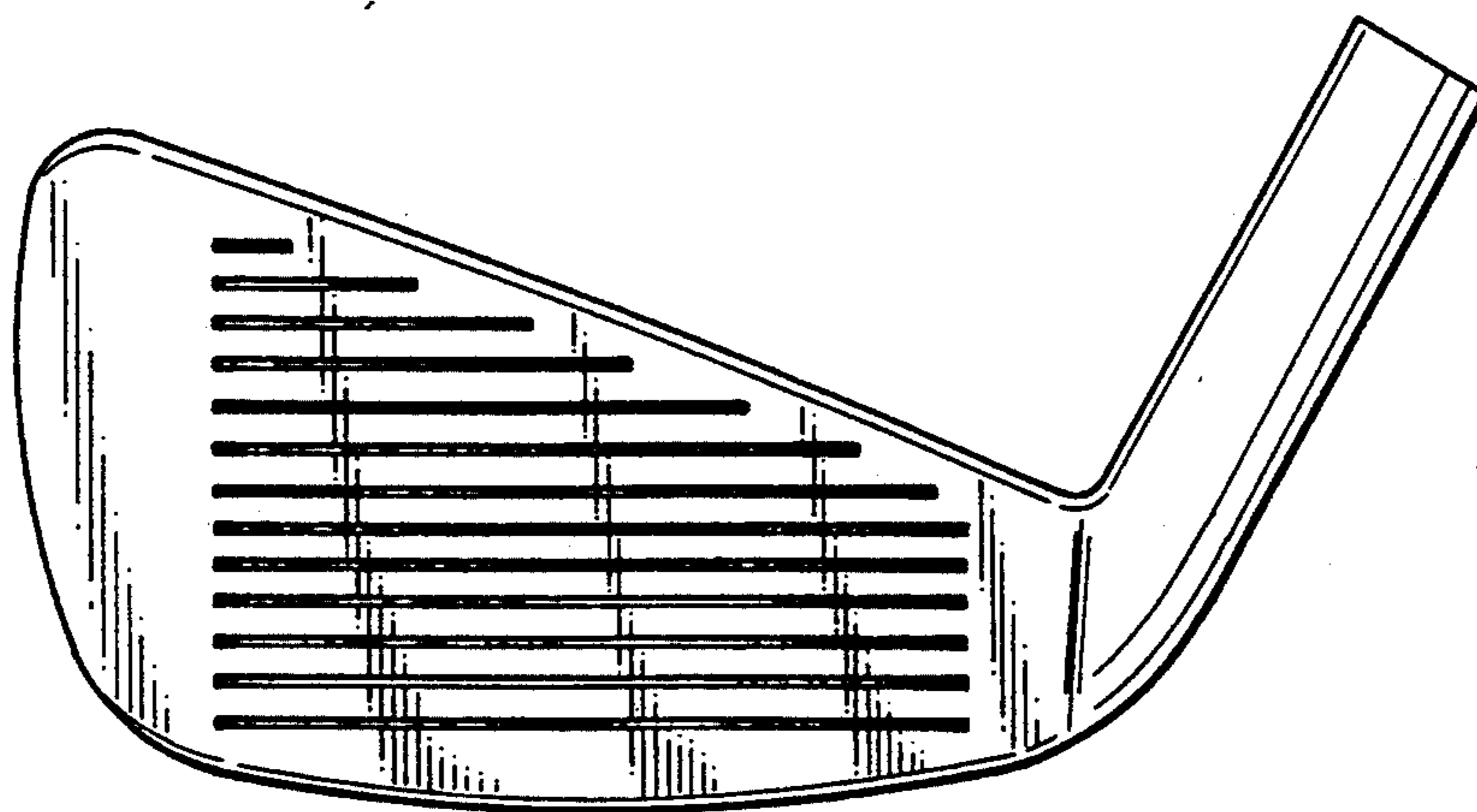
*Fig. 8*



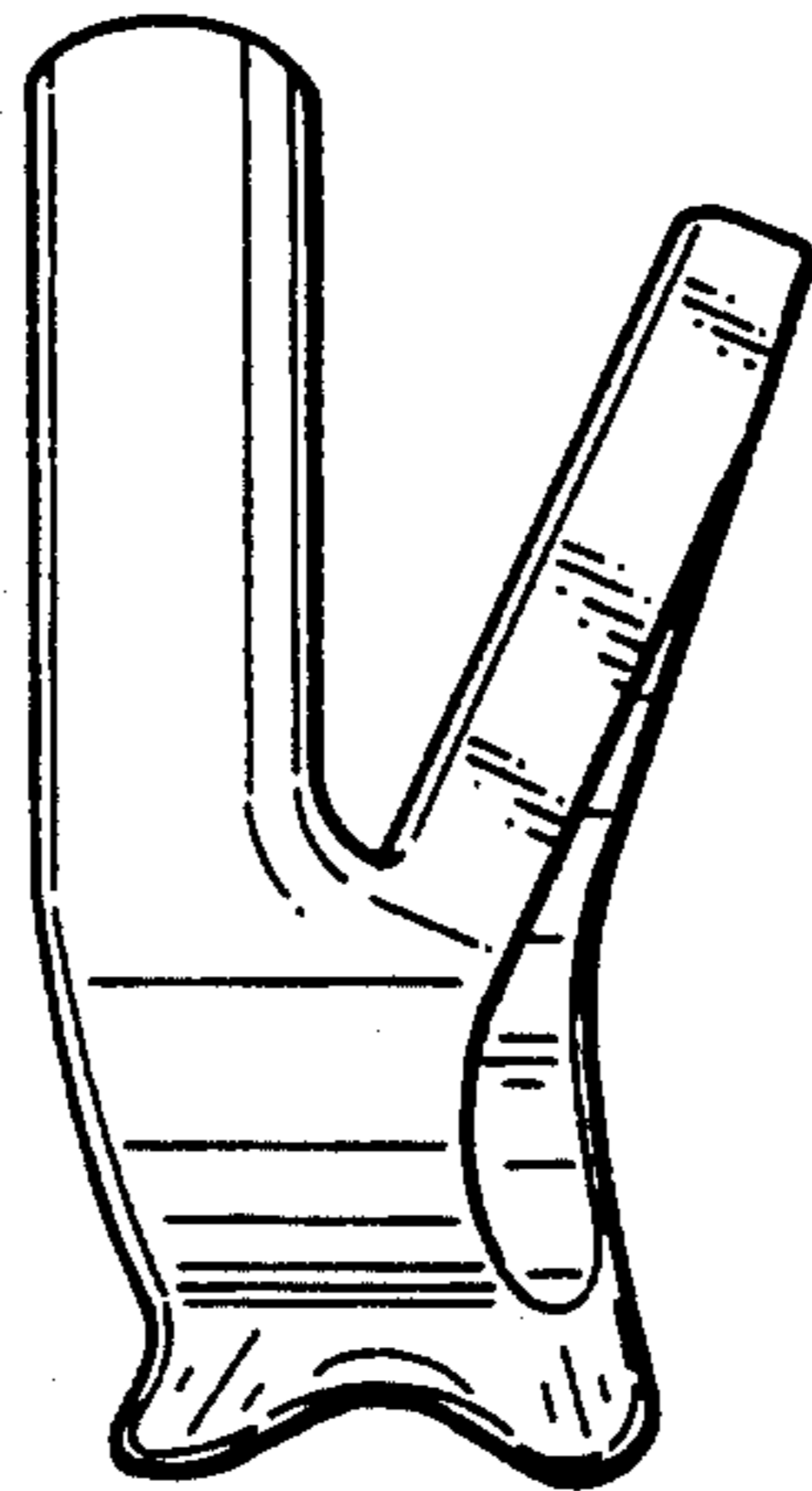
*Fig. 9*



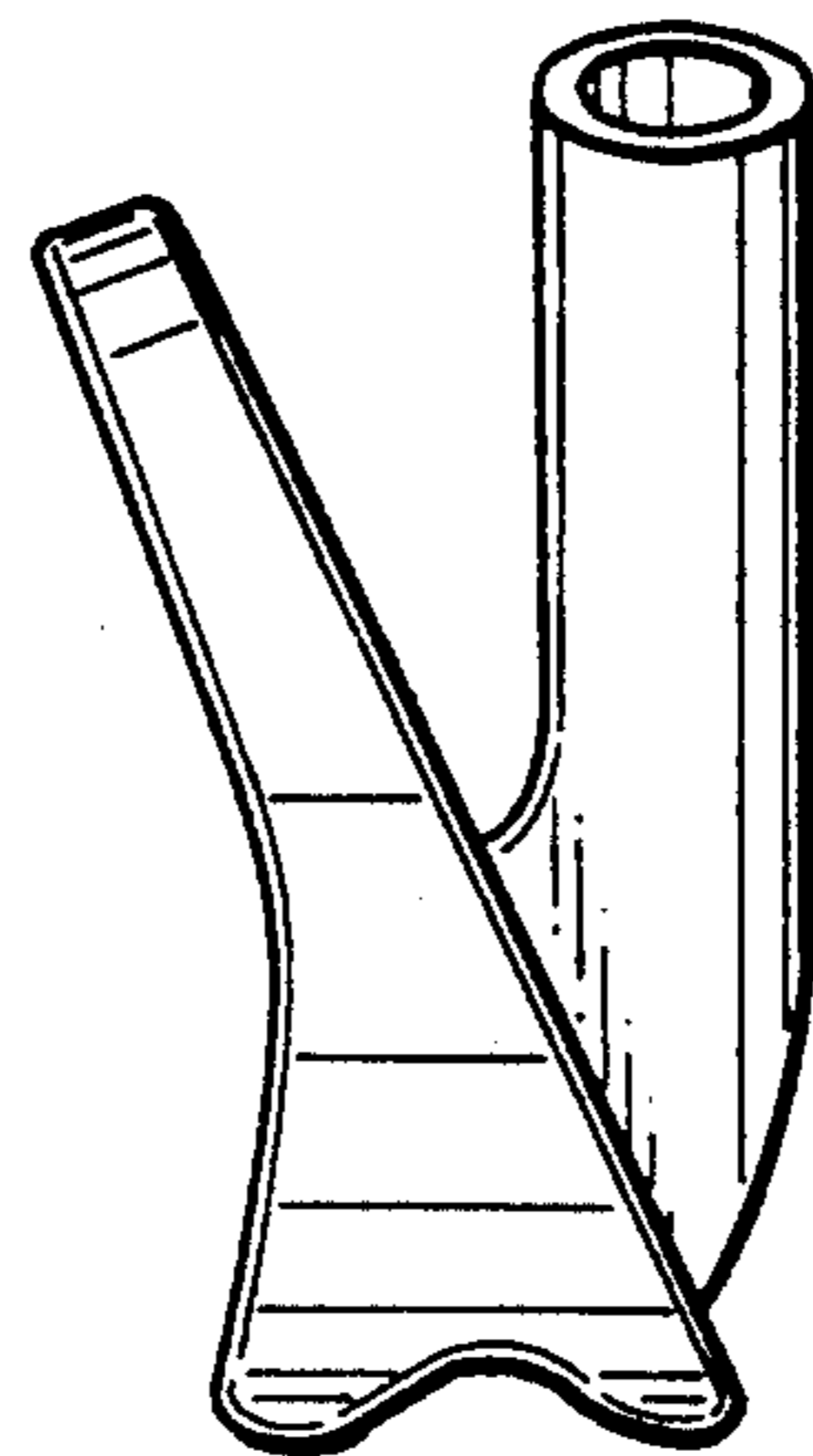
*Fig. 10*



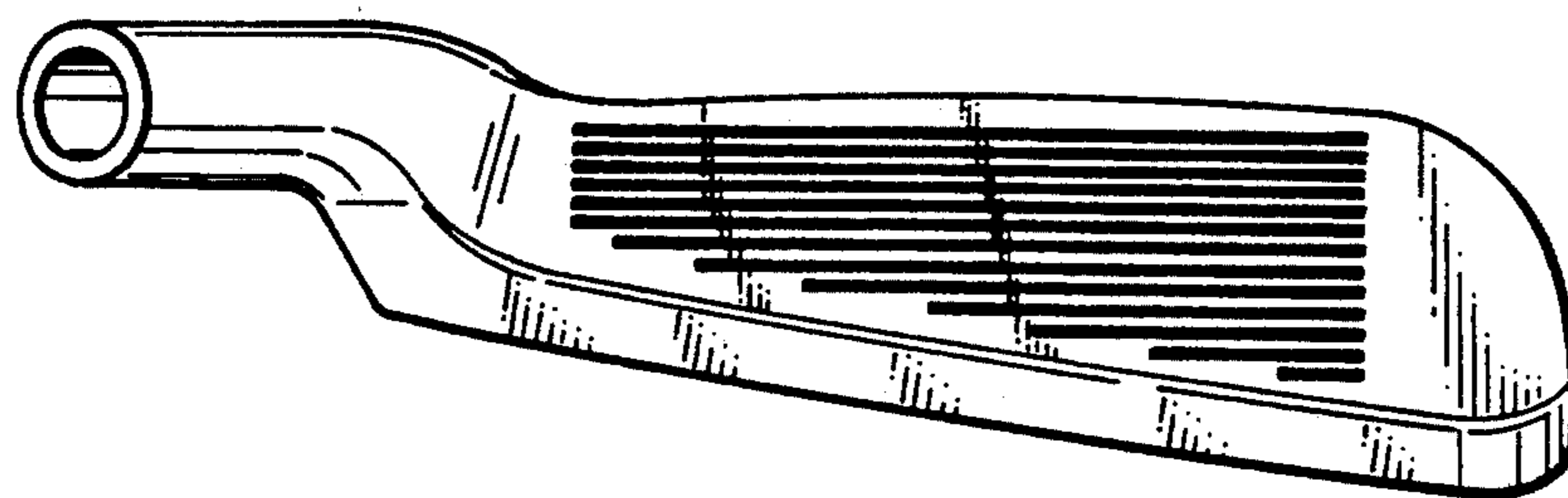
*Fig. 11*



*Fig. 12*



*Fig. 13*



*Fig. 14*

