



US00D347251S

United States Patent [19]

[11] Patent Number: **Des. 347,251**

Dreibelbis et al.

[45] Date of Patent: **** May 24, 1994**

[54] STRENGTH TRAINING BENCH

[75] Inventors: **John S. Dreibelbis, Shakopee; Daniel R. Rydquist; David S. Douglas**, both of Plymouth, all of Minn.

[73] Assignee: **NordicTrack, Inc.**, Chaska, Minn.

[**] Term: **14 Years**

[21] Appl. No.: **846,395**

[22] Filed: **Mar. 6, 1992**

[52] U.S. Cl. **D21/195**

[58] Field of Search 482/92, 93, 94, 96, 482/97, 98, 130, 133, 141, 142, 122; D21/191, 195

[56] References Cited

U.S. PATENT DOCUMENTS

4,706,953	11/1987	Graham	482/133
4,911,438	3/1990	van Straaten	482/96
4,949,958	8/1990	Richey	482/96
5,029,850	7/1991	van Straaten	482/122
5,112,287	5/1992	Brewer	482/133

OTHER PUBLICATIONS

A brochure from Exerscience from Nordictrack, p. 6, "Gym Trim 1000", 1991.

Primary Examiner—Bernard Ansher

Assistant Examiner—Philip Hyder

[57] CLAIM

The ornamental design for a strength training bench, as shown and described.

DESCRIPTION

FIG. 1 is a perspective view of the strength training bench;

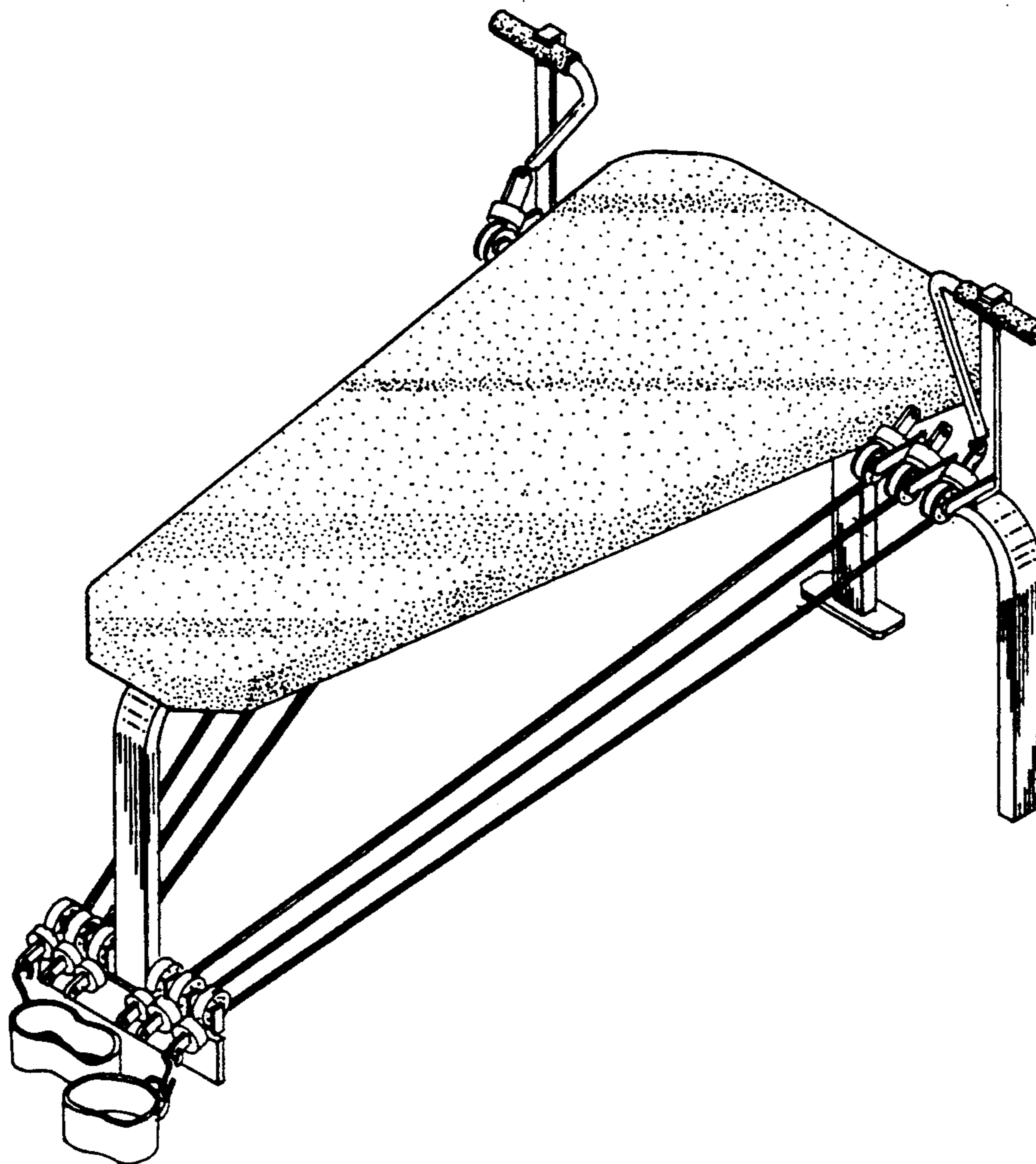
FIG. 2 is a top plan view of the strength training bench;

FIG. 3 is a bottom plan view of the underside of the strength training bench;

FIG. 4 is a left side elevational view of the strength training bench;

FIG. 5 is a front elevational view of the strength training bench; and,

FIG. 6 is a rear elevational view of the strength training bench.



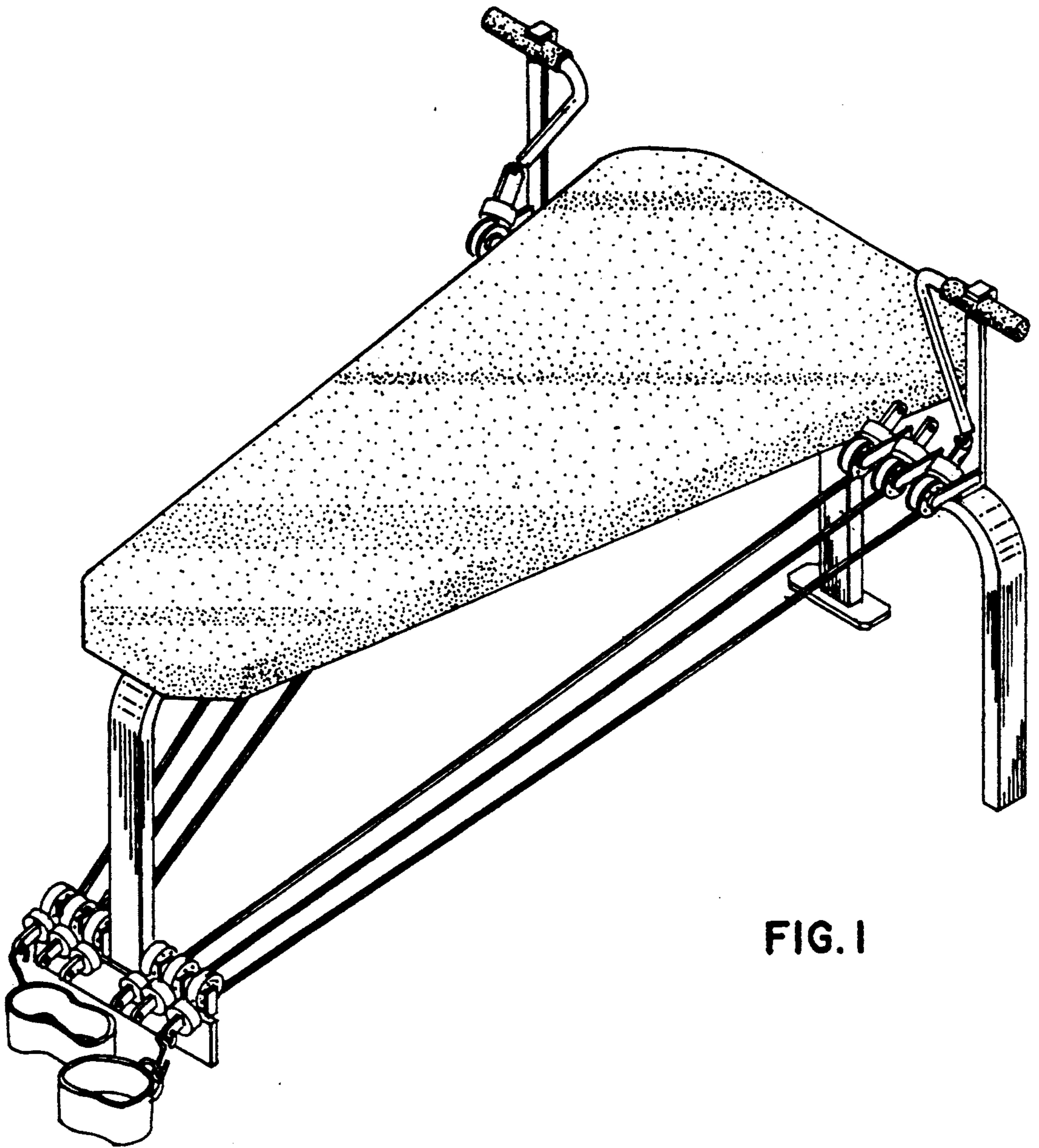


FIG. 1

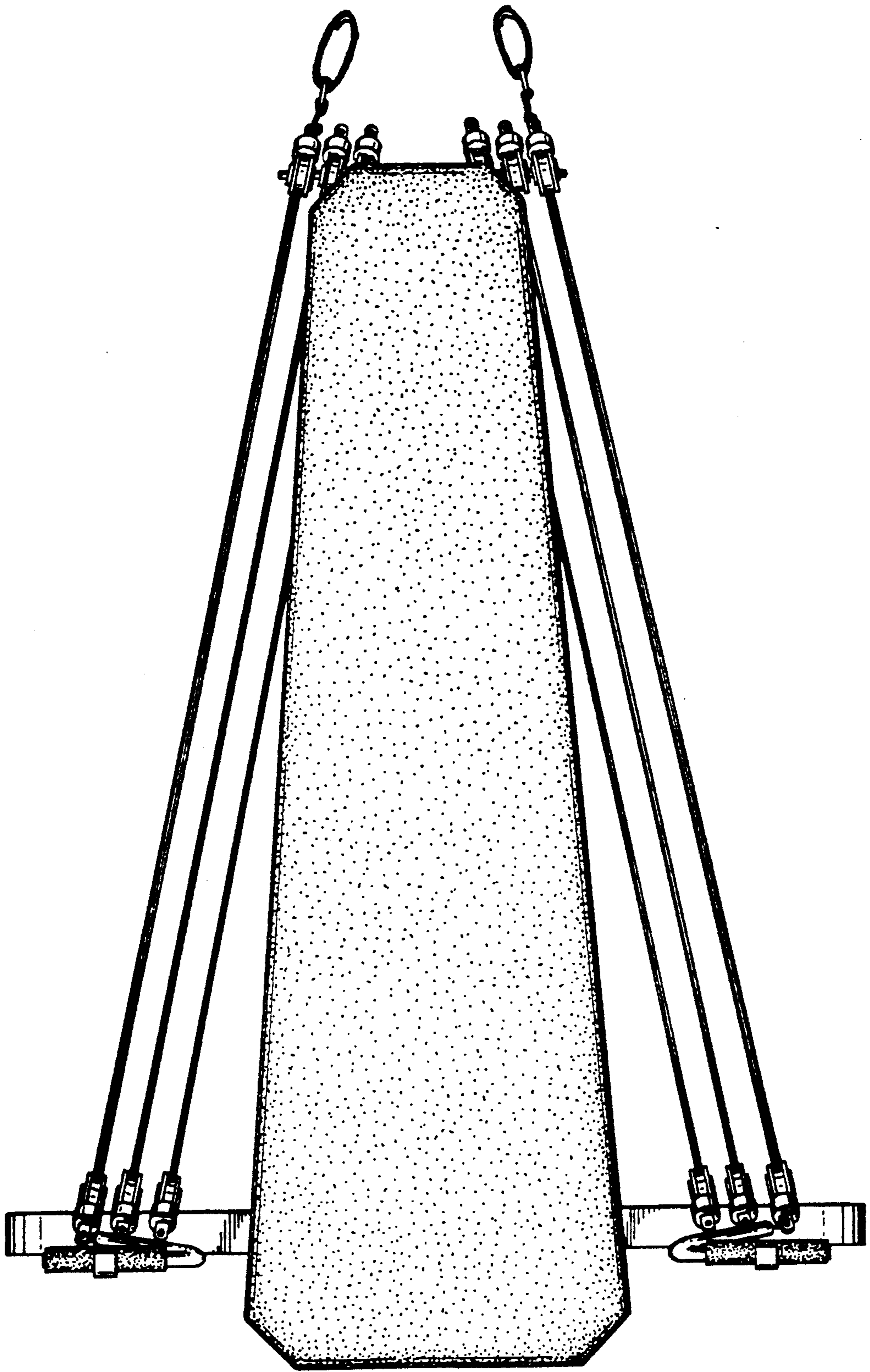


FIG. 2

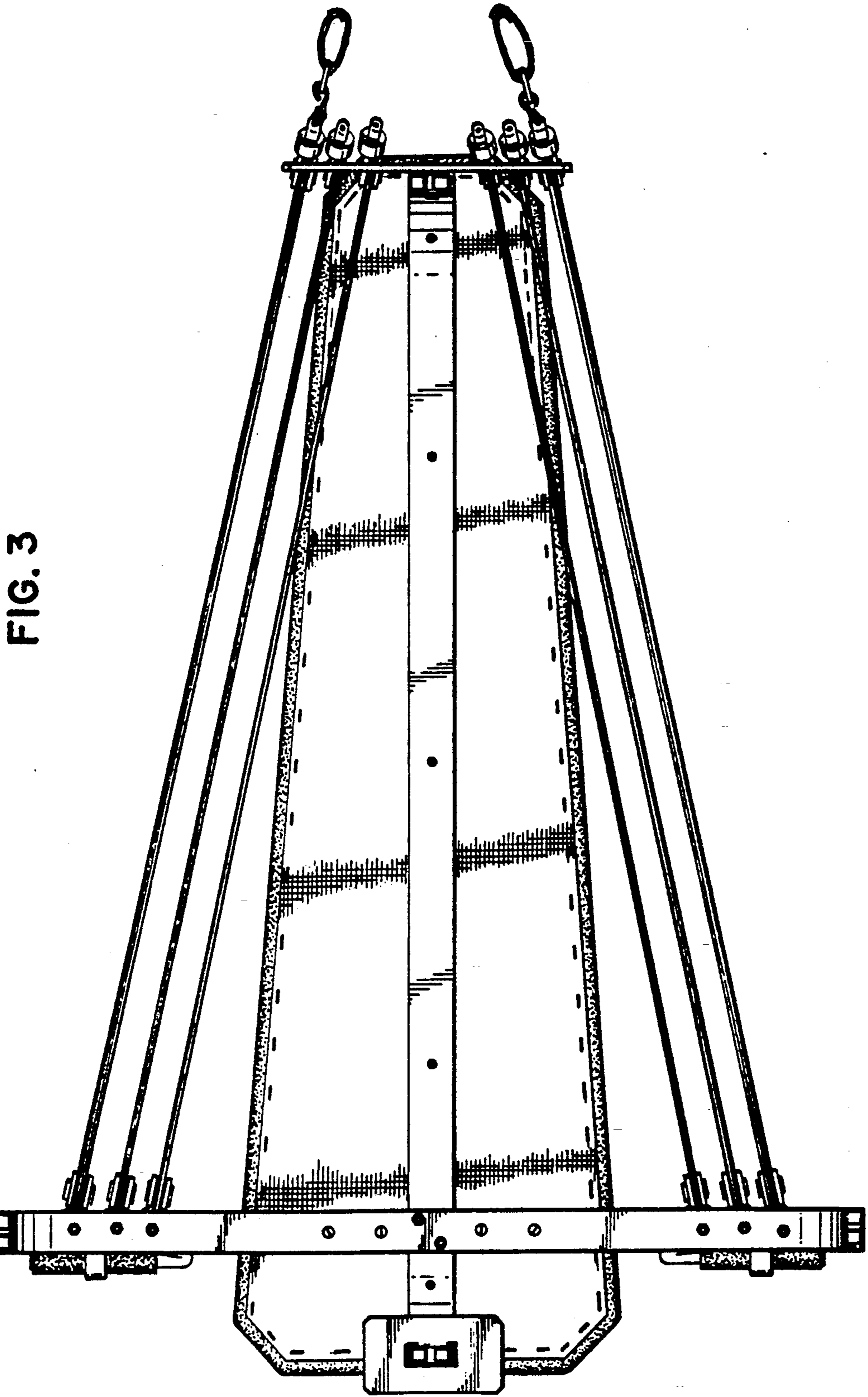


FIG. 3

FIG. 4

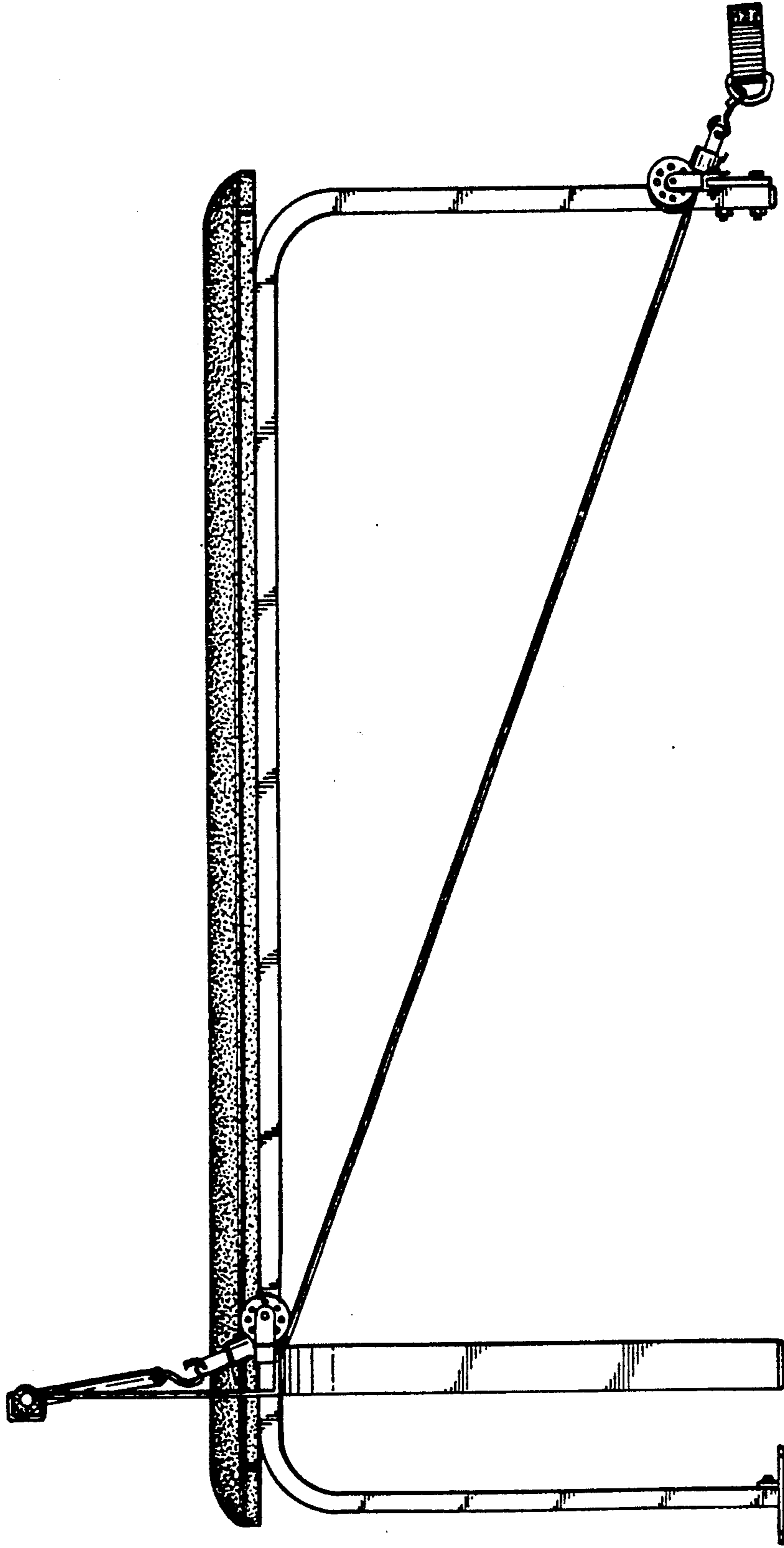


FIG. 5

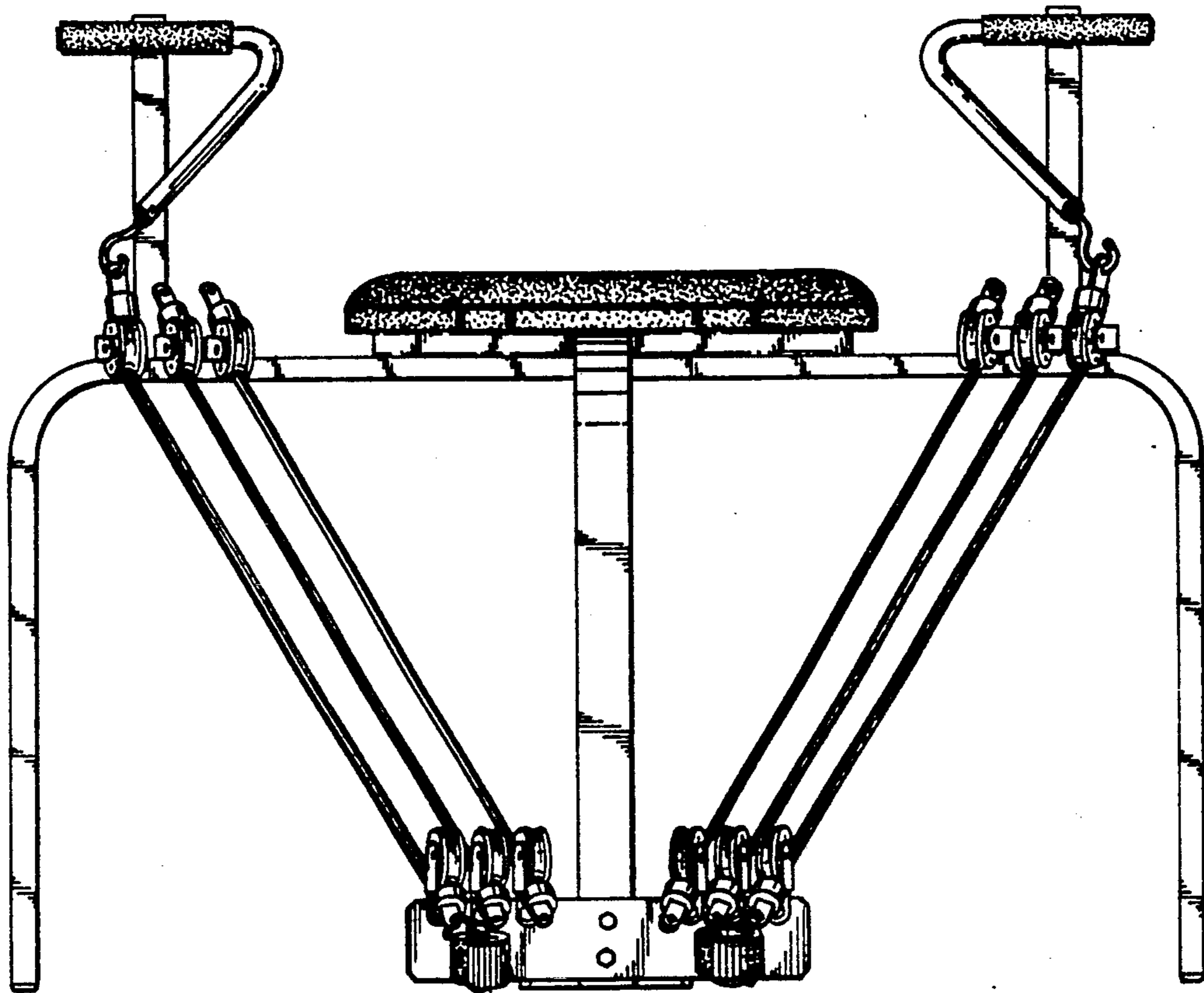


FIG. 6

